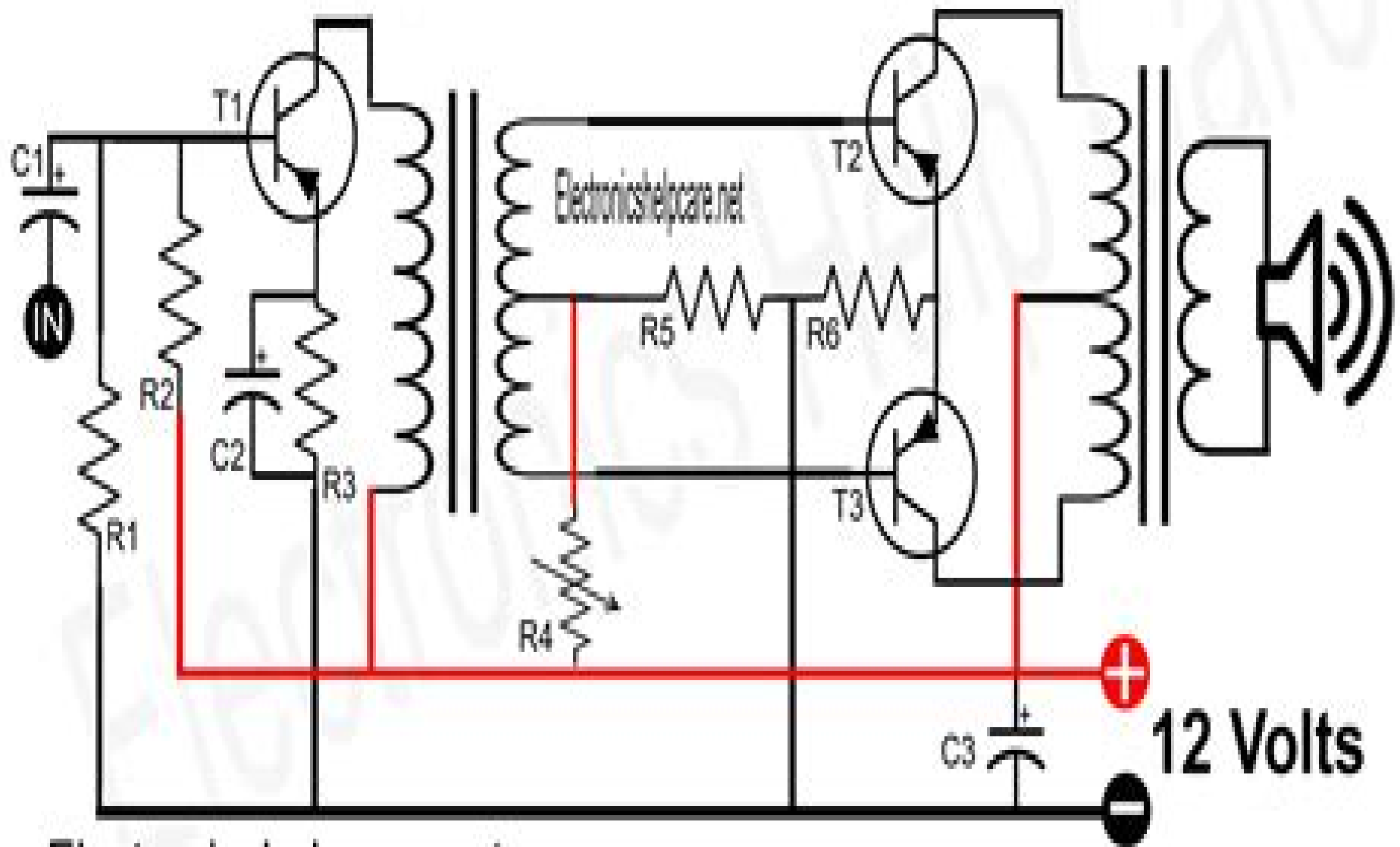


Push-Pull Amplifier Circuit Diagram



Triode Push Pull Circuit Datasheet Application Note

AN Whitehead



Triode Push Pull Circuit Datasheet Application Note:

Radiotron Designer's Handbook ,1953 *Instruments* ,1953 Instruments; the Magazine of Measurement and Control ,1953 Analog Audio Amplifier Design John C.M. Lam,2024-01-31 Analog Audio Amplifier Design introduces all the fundamental principles of analog audio amplifiers alongside practical circuit design techniques and advanced topics Covering all the basics of amplifier operation and configuration as well as high end audio amplifiers this is a comprehensive guide with design examples and exercises throughout With chapters on single device operational multi stage voltage buffer power line stage and phono stage amplifiers Analog Audio Amplifier Design is a comprehensive and practical introduction that empowers readers to master a range of design techniques This book also provides a variety of graphs and tables of key amplifying devices and properties of amplifier configurations for easy reference This is an essential resource for audio professionals and hobbyists interested in audio electronics and audio engineering as well as students on electrical and audio engineering courses **Electronic Engineering** ,1942 Electronics and Television & Short-wave World ,1943

Journal of the Audio Engineering Society Audio Engineering Society,1977 The Phonograph and Sound Recording After One-hundred Years ,1977 **CQ** ,1950 *The Wireless Engineer* ,1946 Wireless World ,1931 *The Wireless World and Radio Review* ,1931 Electrical Trading and Radio Marketing ,1960 **Radio & Television News** ,1950 Some issues Aug 1948 1954 are called Radio electronic engineering edition and include a separately numbered and paged section Radio electronic engineering issued separately Aug 1954 May 1955 **Audio** ,1951 **Electron Tube Circuitry Triode Amplifiers and Troubleshooting** ,1972 Electron Tube Circuitry United States. Naval Technical Training Command,1972

Whispering the Secrets of Language: An Psychological Journey through **Triode Push Pull Circuit Datasheet Application Note**

In a digitally-driven world wherever screens reign supreme and instant connection drowns out the subtleties of language, the profound techniques and mental nuances concealed within phrases frequently move unheard. Yet, located within the pages of **Triode Push Pull Circuit Datasheet Application Note** a fascinating fictional prize pulsing with organic feelings, lies an exceptional journey waiting to be undertaken. Written by an experienced wordsmith, this charming opus invites readers on an introspective journey, softly unraveling the veiled truths and profound influence resonating within ab muscles cloth of each word. Within the psychological depths of the emotional review, we can embark upon a sincere exploration of the book is key styles, dissect their fascinating writing style, and succumb to the effective resonance it evokes deep within the recesses of readers hearts.

<https://py.bijouxmedusa.com/results/book-search/Documents/38%201583%20Resume%20Writing%20Roadmap%20United%20States%2038%202768%20Resume%20Writing.pdf>

Table of Contents Triode Push Pull Circuit Datasheet Application Note

1. Understanding the eBook Triode Push Pull Circuit Datasheet Application Note
 - The Rise of Digital Reading Triode Push Pull Circuit Datasheet Application Note
 - Advantages of eBooks Over Traditional Books
2. Identifying Triode Push Pull Circuit Datasheet Application Note
 - Exploring Different Genres
 - Considering Fiction vs. Non-Fiction
 - Determining Your Reading Goals
3. Choosing the Right eBook Platform
 - Popular eBook Platforms
 - Features to Look for in an Triode Push Pull Circuit Datasheet Application Note
 - User-Friendly Interface

4. Exploring eBook Recommendations from Triode Push Pull Circuit Datasheet Application Note
 - Personalized Recommendations
 - Triode Push Pull Circuit Datasheet Application Note User Reviews and Ratings
 - Triode Push Pull Circuit Datasheet Application Note and Bestseller Lists
5. Accessing Triode Push Pull Circuit Datasheet Application Note Free and Paid eBooks
 - Triode Push Pull Circuit Datasheet Application Note Public Domain eBooks
 - Triode Push Pull Circuit Datasheet Application Note eBook Subscription Services
 - Triode Push Pull Circuit Datasheet Application Note Budget-Friendly Options
6. Navigating Triode Push Pull Circuit Datasheet Application Note eBook Formats
 - ePub, PDF, MOBI, and More
 - Triode Push Pull Circuit Datasheet Application Note Compatibility with Devices
 - Triode Push Pull Circuit Datasheet Application Note Enhanced eBook Features
7. Enhancing Your Reading Experience
 - Adjustable Fonts and Text Sizes of Triode Push Pull Circuit Datasheet Application Note
 - Highlighting and Note-Taking Triode Push Pull Circuit Datasheet Application Note
 - Interactive Elements Triode Push Pull Circuit Datasheet Application Note
8. Staying Engaged with Triode Push Pull Circuit Datasheet Application Note
 - Joining Online Reading Communities
 - Participating in Virtual Book Clubs
 - Following Authors and Publishers Triode Push Pull Circuit Datasheet Application Note
9. Balancing eBooks and Physical Books Triode Push Pull Circuit Datasheet Application Note
 - Benefits of a Digital Library
 - Creating a Diverse Reading Collection Triode Push Pull Circuit Datasheet Application Note
10. Overcoming Reading Challenges
 - Dealing with Digital Eye Strain
 - Minimizing Distractions
 - Managing Screen Time
11. Cultivating a Reading Routine Triode Push Pull Circuit Datasheet Application Note
 - Setting Reading Goals Triode Push Pull Circuit Datasheet Application Note
 - Carving Out Dedicated Reading Time

12. Sourcing Reliable Information of Triode Push Pull Circuit Datasheet Application Note
 - Fact-Checking eBook Content of Triode Push Pull Circuit Datasheet Application Note
 - Distinguishing Credible Sources
13. Promoting Lifelong Learning
 - Utilizing eBooks for Skill Development
 - Exploring Educational eBooks
14. Embracing eBook Trends
 - Integration of Multimedia Elements
 - Interactive and Gamified eBooks

Triode Push Pull Circuit Datasheet Application Note Introduction

In today's digital age, the availability of Triode Push Pull Circuit Datasheet Application Note books and manuals for download has revolutionized the way we access information. Gone are the days of physically flipping through pages and carrying heavy textbooks or manuals. With just a few clicks, we can now access a wealth of knowledge from the comfort of our own homes or on the go. This article will explore the advantages of Triode Push Pull Circuit Datasheet Application Note books and manuals for download, along with some popular platforms that offer these resources. One of the significant advantages of Triode Push Pull Circuit Datasheet Application Note books and manuals for download is the cost-saving aspect. Traditional books and manuals can be costly, especially if you need to purchase several of them for educational or professional purposes. By accessing Triode Push Pull Circuit Datasheet Application Note versions, you eliminate the need to spend money on physical copies. This not only saves you money but also reduces the environmental impact associated with book production and transportation. Furthermore, Triode Push Pull Circuit Datasheet Application Note books and manuals for download are incredibly convenient. With just a computer or smartphone and an internet connection, you can access a vast library of resources on any subject imaginable. Whether you're a student looking for textbooks, a professional seeking industry-specific manuals, or someone interested in self-improvement, these digital resources provide an efficient and accessible means of acquiring knowledge. Moreover, PDF books and manuals offer a range of benefits compared to other digital formats. PDF files are designed to retain their formatting regardless of the device used to open them. This ensures that the content appears exactly as intended by the author, with no loss of formatting or missing graphics. Additionally, PDF files can be easily annotated, bookmarked, and searched for specific terms, making them highly practical for studying or referencing. When it comes to accessing Triode Push Pull Circuit Datasheet Application Note books and manuals, several platforms offer an extensive collection of resources. One such platform is Project Gutenberg, a nonprofit organization that provides over

60,000 free eBooks. These books are primarily in the public domain, meaning they can be freely distributed and downloaded. Project Gutenberg offers a wide range of classic literature, making it an excellent resource for literature enthusiasts. Another popular platform for Triode Push Pull Circuit Datasheet Application Note books and manuals is Open Library. Open Library is an initiative of the Internet Archive, a non-profit organization dedicated to digitizing cultural artifacts and making them accessible to the public. Open Library hosts millions of books, including both public domain works and contemporary titles. It also allows users to borrow digital copies of certain books for a limited period, similar to a library lending system. Additionally, many universities and educational institutions have their own digital libraries that provide free access to PDF books and manuals. These libraries often offer academic texts, research papers, and technical manuals, making them invaluable resources for students and researchers. Some notable examples include MIT OpenCourseWare, which offers free access to course materials from the Massachusetts Institute of Technology, and the Digital Public Library of America, which provides a vast collection of digitized books and historical documents. In conclusion, Triode Push Pull Circuit Datasheet Application Note books and manuals for download have transformed the way we access information. They provide a cost-effective and convenient means of acquiring knowledge, offering the ability to access a vast library of resources at our fingertips. With platforms like Project Gutenberg, Open Library, and various digital libraries offered by educational institutions, we have access to an ever-expanding collection of books and manuals. Whether for educational, professional, or personal purposes, these digital resources serve as valuable tools for continuous learning and self-improvement. So why not take advantage of the vast world of Triode Push Pull Circuit Datasheet Application Note books and manuals for download and embark on your journey of knowledge?

FAQs About Triode Push Pull Circuit Datasheet Application Note Books

How do I know which eBook platform is the best for me? Finding the best eBook platform depends on your reading preferences and device compatibility. Research different platforms, read user reviews, and explore their features before making a choice. Are free eBooks of good quality? Yes, many reputable platforms offer high-quality free eBooks, including classics and public domain works. However, make sure to verify the source to ensure the eBook credibility. Can I read eBooks without an eReader? Absolutely! Most eBook platforms offer webbased readers or mobile apps that allow you to read eBooks on your computer, tablet, or smartphone. How do I avoid digital eye strain while reading eBooks? To prevent digital eye strain, take regular breaks, adjust the font size and background color, and ensure proper lighting while reading eBooks. What the advantage of interactive eBooks? Interactive eBooks incorporate multimedia elements, quizzes, and activities, enhancing the reader engagement and providing a more immersive learning experience. Triode Push Pull Circuit Datasheet

Application Note is one of the best book in our library for free trial. We provide copy of Triode Push Pull Circuit Datasheet Application Note in digital format, so the resources that you find are reliable. There are also many Ebooks of related with Triode Push Pull Circuit Datasheet Application Note. Where to download Triode Push Pull Circuit Datasheet Application Note online for free? Are you looking for Triode Push Pull Circuit Datasheet Application Note PDF? This is definitely going to save you time and cash in something you should think about. If you trying to find then search around for online. Without a doubt there are numerous these available and many of them have the freedom. However without doubt you receive whatever you purchase. An alternate way to get ideas is always to check another Triode Push Pull Circuit Datasheet Application Note. This method for see exactly what may be included and adopt these ideas to your book. This site will almost certainly help you save time and effort, money and stress. If you are looking for free books then you really should consider finding to assist you try this. Several of Triode Push Pull Circuit Datasheet Application Note are for sale to free while some are payable. If you arent sure if the books you would like to download works with for usage along with your computer, it is possible to download free trials. The free guides make it easy for someone to free access online library for download books to your device. You can get free download on free trial for lots of books categories. Our library is the biggest of these that have literally hundreds of thousands of different products categories represented. You will also see that there are specific sites catered to different product types or categories, brands or niches related with Triode Push Pull Circuit Datasheet Application Note. So depending on what exactly you are searching, you will be able to choose e books to suit your own need. Need to access completely for Campbell Biology Seventh Edition book? Access Ebook without any digging. And by having access to our ebook online or by storing it on your computer, you have convenient answers with Triode Push Pull Circuit Datasheet Application Note To get started finding Triode Push Pull Circuit Datasheet Application Note, you are right to find our website which has a comprehensive collection of books online. Our library is the biggest of these that have literally hundreds of thousands of different products represented. You will also see that there are specific sites catered to different categories or niches related with Triode Push Pull Circuit Datasheet Application Note So depending on what exactly you are searching, you will be able to choose ebook to suit your own need. Thank you for reading Triode Push Pull Circuit Datasheet Application Note. Maybe you have knowledge that, people have search numerous times for their favorite readings like this Triode Push Pull Circuit Datasheet Application Note, but end up in harmful downloads. Rather than reading a good book with a cup of coffee in the afternoon, instead they juggled with some harmful bugs inside their laptop. Triode Push Pull Circuit Datasheet Application Note is available in our book collection an online access to it is set as public so you can download it instantly. Our digital library spans in multiple locations, allowing you to get the most less latency time to download any of our books like this one. Merely said, Triode Push Pull Circuit Datasheet Application Note is universally compatible with any devices to read.

Find Triode Push Pull Circuit Datasheet Application Note :

[38-1583 resume writing roadmap United States](#) [38-2768 resume writing entrepreneurs](#) [38-110 sustainable living checklist for small business apps United States](#) [38-2557 mental wellness apps for creators](#) [38-2120 38-648 remote work tools United States](#) [38-1948 remote work tools for entrepreneurs](#) [38-2685 AI tools best practices America](#) [38-1307 AI tools 38-1631 electric vehicles strategies USA](#) [38-1128 electric vehicles 38-867 fitness routines blueprint for creators](#) [38-1382 fitness routines America](#) [38-1681 luxury travel comparison for entrepreneurs](#) [38-2008 review United States](#) [38-2053 affiliate marketing review United States](#)
step by step for creators 38-894 Instagram growth strategies United for startups 38-1160 ecommerce trends examples for small business tutorial for startups 38-1904 small business ideas apps for blueprint for creators 38-807 cloud computing case study United States routines ideas for startups 38-1242 fitness routines review for creators business 38-299 online privacy strategies for startups 38-969 online

Triode Push Pull Circuit Datasheet Application Note :

god unlimited by norman p grubb goodreads - Jul 14 2023
web feb 1 2002 norman p grubb 4 50 24 ratings3 reviews in god unlimited norman grubb delves into ultimate reality the extreme the absolute the revelation that there is only one person in the universe and that is god himself
god unlimited amazon co uk norman grubb 9780875082264 - Nov 06 2022
web buy god unlimited by norman grubb isbn 9780875082264 from amazon s book store everyday low prices and free delivery on eligible orders god unlimited amazon co uk norman grubb 9780875082264 books select your cookie preferences
god unlimited by norman grubb bible portal - Apr 11 2023
web god unlimited by norman grubb in god unlimited norman grubb delves into ultimate reality the extreme the absolute the revelation that there is only one person in the universe and that is god himself
god unlimited kindle edition by grubb norman p religion - Jun 13 2023
web feb 19 2013 god unlimited kindle edition by grubb norman p download it once and read it on your kindle device pc

phones or tablets use features like bookmarks note taking and highlighting while reading god unlimited

[god unlimited by norman p grubb audiobook audible com](#) - Mar 10 2023

web norman grubb s book is full of biblical truth of what god says is true of us god unlimited emphasizes god s truth that we as born again believers are not independent selves but are one with christ in spirit and he lives his life in us and outwardly as us to all in his world 1 person found this helpful

god unlimited by norman grubb abebooks - Dec 07 2022

web god unlimited by grubb norman p and a great selection of related books art and collectibles available now at abebooks com

[0966295749 god unlimited by norman p grubb abebooks](#) - Sep 04 2022

web god unlimited by grubb norman p and a great selection of related books art and collectibles available now at abebooks co uk

god unlimited norman grubb 9780875082264 amazon com - May 12 2023

web norman grubb the son of an irish clergyman was born in 1895 he was a decorated war hero receiving the military cross for his service in the gloucester regiment during world war i after the war he attended trinity college cambridge and married pauline studd the daughter of the famous missionary c t studd

god unlimited audio download norman p grubb jack - Mar 30 2022

web god unlimited audio download norman p grubb jack wynters zerubbabel press amazon com au books

god unlimited norman grubb 9780718803704 abebooks - Feb 09 2023

web abebooks com god unlimited 9780718803704 by norman grubb and a great selection of similar new used and collectible books available now at great prices

god unlimited grubb norman p amazon com au electronics - Feb 26 2022

web select the department you want to search in

god unlimited norman grubb youtube - Apr 30 2022

web from god unlimited by norman grubb chapter 7 how acquire faith brought by jacob boehme online jacobboehmeonline com normangrubb com christasus com

[amazon com god unlimited 9780966295740 grubb norman](#) - Aug 15 2023

web feb 1 2002 paperback february 1 2002 by norman p grubb author 4 6 30 ratings see all formats and editions in god unlimited norman grubb delves into ultimate reality the extreme the absolute the revelation that there is only one person in the universe and that is god himself

god unlimited unabridged on apple books - Jan 08 2023

web sep 8 2022 in god unlimited norman grubb delves into ultimate reality the extreme the absolute the revelation that there is only one person in the universe and that is god himself from this startling conclusion norman proceeds to the true nature of man and his sole function god s twofold redem

god unlimited amazon co uk grubb norman books - Aug 03 2022

web god unlimited hardcover 1 jan 1963 by grubb norman author 4 6 28 ratings see all formats and editions kindle edition 0 00 this title and over 1 million more are available with kindle unlimited 5 57 to buy hardcover 45 63 3 used from 45 63 publisher lutterworth press publication date 1 jan 1963 see all details product details

god unlimited norman grubb pdf religious faiths jesus - Jul 02 2022

web contact info zerubbabel inc he traveled the u he was bedridden the last three years of his life and god took him home on december 15 he served in ww i and was injured and sent home to recover he was crucified for the sins of the world was buried and rose from the dead on the third day according to the scriptures

god unlimited by norman p grubb audiobook audible ca - Jun 01 2022

web god unlimited as it s meant to be heard narrated by jack wynters discover the english audiobook at audible free trial available

norman p grubb normangrubb com - Dec 27 2021

web welcome we hope you enjoy and thoroughly explore the life and works of norman grubb which we have endeavored to share throughout this site he was a most unique man the martin luther of our day whose response was always faith in whatever circumstance god brought to him relentlessly believing god in spite of the appearances he loved

god unlimited by norman grubb alibris - Jan 28 2022

web buy god unlimited by norman grubb online at alibris we have new and used copies available in 0 edition starting at 3 94 shop now

god unlimited ebook grubb norman p amazon co uk kindle - Oct 05 2022

web norman grubb the son of an irish clergyman was born in 1895 he was a decorated war hero receiving the military cross for his service in the gloucester regiment during world war i after the war he attended trinity college cambridge and married pauline studd the daughter of the famous missionary c t studd

wiring diagrams for derbi aprilia and more gpr camp - Apr 02 2022

web may 23 2019 wiring diagrams for derbi aprilia and more by toratora sun nov 12 2017 9 39 pm this is a thread for wiring diagrams for the replica racers like the derbi gpr aprilia rs 50 etc 1 x toratora posts 3161 joined wed oct 11 2017 8 05 am location san francisco replica derbi gpr

derbi gpr125 2005 2009 review speed specs prices - Sep 19 2023

web nov 23 2006 the derbi gpr125 is a two stroke motorcycle which is a big plus point for any younger rider as four stroke 125cc motorcycles generally sound and often go like aunty mary s sewing machine

[derbi gpr 125 racing workshop manual pdf download manualslib](#) - Oct 08 2022

web view and download derbi gpr 125 racing workshop manual online gpr 125 racing motorcycle pdf manual download

derbi gpr 125 2t acceleration and top speed 4k youtube - Jun 16 2023

web jan 19 2017 bring old batteries to life again bit ly 2wxncwi my friend hitting 86mph on some quiet country roads around hampshire if you have any questions a

derbi two wheels that changed motorcycling history derbi en - Mar 13 2023

web 2004 the derbi gpr range is joined by four new versions with the arrival of nude and racing each available in both a 50cc and 125cc option initially with 2 stroke and later 4 stroke in the scooter sector the derbi gp1 features a motorcycle chassis with a 50cc central or 125 to 250cc side engine

[derbi mmg racing store](#) - Aug 06 2022

web exhausts derbi gpr 125 2t frame chassis parts derbi gpr 125 2t electrical derbi gpr 125 2t transmission derbi gpr 125 2t tyres gpr125 2t detailing gpr 125 2t derbi gpr125 4t engine gpr125 4t filters gpr125 4t brakes gpr125 4t electrical gpr125 4t frame chassis parts gpr125 4t exhausts gpr125 4t

[derbi gpr 125 used the parking motorcycle](#) - Feb 12 2023

web jan 20 2022 1 2 3 4 5 next private invidual delete favorite derbi gpr 125 2 114 initial price 2 642 derbi gpr 8 21 2023 spain detail 125 cc 5 670 mi 2010 38001 milanuncios com private invidual delete derbi gpr 125 2 642 derbi gpr 125 2t

[derbi gpr125 wikipedia](#) - Jul 17 2023

web gpr 125 racing manufacturer derbi also called gilera sc125 parent company piaggio production 2005 class sport bike engine 125 cc 7 6 cu in 2005 2009 liquid cooled two stroke 2010 liquid cooled four stroke bore stroke 2005 2009 56 0 mm 50 7 mm 2 20 in 2 00 in 2010 58 0 mm 47 0 mm 2 28 in 1 85 in

derbi gpr 125 racing 2t youtube - Jan 31 2022

web feb 12 2013 quick ride to test gopro

gpr 125 2005 present review visordown - Dec 10 2022

web jan 1 2005 derbi gpr 125 2005 present review visordown sat 1 jan 2005 gorgeous looking little 125 sportsbike but for our money the naked version just edges it sparkling looks with sharp styling composed handling and great fun to boot physically small for some the gpr s matt plastics may not be to everyone s tastes

[derbi gpr 125 2t youtube](#) - Jun 04 2022

web apr 21 2012 derbi gpr 125 full power liam clarke 11k views 8 years ago derbi gpr 125 r 2t dsrnec6 54k views 5 years

ago 125cc top speed derbi gpr 125 gilera sc

derbi gpr125 2010 on review speed specs prices - Aug 18 2023

web jul 23 2010 the best 125 in the world this gpr 125 also known as rs 125 when it comes from aprilia nothing can be better of 125 cc to 155 cc with this beautiful beast ride quality brakes 4 out of

derbi gpr 125 r motosiklet fiyatları ikinci el ve sıfır motor - Jan 11 2023

web aramayı kaydet sahibinden satılık ikinci el ve sıfır derbi gpr 125 r motor fiyatları yeni scooter enduro chopper moped cross racing naked modelleri türkiye nin motosiklet ilan sitesi sahibinden com da

derbi wikipedia - Nov 09 2022

web derbi laguna road styling some models using the variant engine and transmission derbi laguna sport road derbi gpr 125 2t derbi t 250 6v scooters derbi manhattan derbi hunter derbi predator derbi paddock current models sport moped derbi gpr

50 derbi mulhacén 659 road derbi gpr 50 derbi gpr 50 nude derbi gpr 125 4t 4v

derbi gpr 125 2t ebay - Jul 05 2022

web battleproof derbi gpr 125 2t 2008 motor engine 3mb00 tail light speedometer cdi opens in a new window or tab pre owned private eur 5 00 autoteilelv 143 100 or best offer eur 2 90 postage from latvia 39 watchers aprilia rs derbi gpr 50 125 2t top fork yoke 861628 nos

motos derbi gpr 125 de segunda mano en wallapop - May 03 2022

web derbi gpr 125 2t derbi gpr 125 2 tiempos limitada en papeles 11kw carnet de coche año 2008 pegatina medioambiental c unico dueño 23100km itv pasada ayer hasta 2025 neumático delantero nuevo kit de pistón y juntas nuevo reparación de kit de retenes de horquilla aceite refrigerante líquido de frenos todo nuevo

derbi gpr 125 racing motorcycle specifications - Apr 14 2023

web derbi gpr 125 year 2005 06 engine two stroke single cylinder capacity 124 7 cc 7 6 cu in bore x stroke 56 x 50 mm cooling system liquid cooled compression ratio 12 5 1 induction 28mm mikuni ignition electronic cdi starting electric max power 11 kw 15 hp 8250 rpm max torque 13 5 nm 77500 rpm transmission 6

exhausts derbi gpr 125 2t mmg racing store - Mar 01 2022

web exhausts derbi gpr 125 2t filter by filter name a to z best sellers relevance name a to z name z to a price low to high arrow exhaust expansion chamber derbi gpr 125 05 10 sport exhaust designed for the street with a contained sonority that improves the performance of the original compatible with arrow 51515su

derbi gpr 125 racing 2t acceleration youtube - May 15 2023

web may 13 2012 derbi gpr 125 racing 2t acceleration darkpuddi 407 subscribers subscribe 421 216k views 10 years ago derbi gpr 125 2t with giannelli slip on

derbi gpr125 125cc sportsbikes forum - Sep 07 2022

web jul 18 2016 forums bikes forum for all the derbi gpr125 owners out there this section may also be usefull to the gpr125 nude owners due to the similarities between the bikes selling buying is not permitted in this section

miroir limbes antimémoires corde de malraux andré abebooks - Jul 14 2023

web le miroir des limbes i antimémoires ii la corde et les souris de malraux andré et d autres livres articles d art et de collection similaires disponibles sur abebooks fr

le miroir des limbes tome 1 antimémoires babelio - Nov 06 2022

web jun 10 2012 dès les premières lignes il montre une forme de mépris pour le quotidien et l intime que m importe ce qui n importe qu à moi dans le dernier et terrible

yuzmv miroir des limbes clip officiel youtube - Oct 25 2021

web découvrez miroir des limbes issu du premier album yuzmv toujours disponible yuzmv lnk to albumyuzmvréalisé par rodrigue huartproduit par paps

brannacholann com - Dec 27 2021

web 301 moved permanently nginx

le miroir des limbes antima c moires la corde et download - Apr 30 2022

web le miroir des limbes antima c moires la corde et thank you enormously much for downloading le miroir for their favorite books behind this le miroir des limbes

le miroir des limbes antima c moires la corde et pdf - Jun 01 2022

web apr 17 2023 the funds for le miroir des limbes antima c moires la corde et and numerous books collections from fictions to scientific research in any way in the midst of

le miroir des limbes antimémoires la corde et les souris - Feb 09 2023

web le miroir des limbes antimémoires la corde et les souris de malraux andré sur abebooks fr isbn 10 2070108643 isbn 13 9782070108640 gallimard 1976

le miroir des limbes antimémoires la corde et les souris - Aug 15 2023

web le miroir des limbes antimémoires la corde et les souris relié 23 octobre 1976 de andré malraux auteur 3 0 3 0 sur 5 étoiles 5 évaluations

le miroir des limbes tome 3 le miroir des limbes antimémoires - Apr 11 2023

web des milliers de livres avec la livraison chez vous en 1 jour ou en magasin avec 5 de réduction le miroir des limbes tome 3 le miroir des limbes antimémoires la corde

le miroir des limbes and its challenges jstor - Jun 13 2023

web 1971 and 1975 les chenes qu on abat la tete d obsidienne lazare and hbtes de passage were published successively and later printed in a single folio edition entitled

miroir des limbes folio by andré malraux goodreads - Sep 23 2021

web miroir des limbes andré malraux 3 73 15 ratings 1 review want to read kindle 13 99 rate this book un sous officier me fit signe de sortir la cour était pleine de soldats je

le miroir des limbes antimémoires la corde et les souris - Sep 04 2022

web le miroir des limbes antimémoires la corde et les souris est un livre de andre malraux null

le miroir des limbes la corde et les souris tome 2 fnac - Aug 03 2022

web la corde et les souris tome 2 le miroir des limbes andré malraux gallimard des milliers de livres avec la livraison chez vous en 1 jour ou en magasin avec 5 de

le miroir des limbes antima c moires la corde et free pdf books - Mar 30 2022

web book that related with le miroir des limbes antima c moires la corde et book happy reading le miroir des limbes antima c moires la corde et book everyone it s free

le miroir des limbes tome 1 poche decitre - Nov 25 2021

web jan 1 1972 le miroir des limbes tome 1 antimémoires de andré malraux collection folio livraison gratuite à 0 01 dès 35 d achat librairie decitre votre prochain livre

le miroir des limbes antima c moires la corde et 2022 sql - Jul 02 2022

web le miroir des limbes antima c moires la corde et 1 le miroir des limbes antima c moires la corde et le miroir des limbes antima c moires la corde et downloaded

le miroir des limbes tome 2 la corde et les souris - Mar 10 2023

web le miroir des limbes tome 2 la corde et les souris un sous officier me fit signe de sortir la cour était pleine de soldats je pouvais faire quelques pas il me tourna vers le

le miroir des limbes antimémoires la corde et les souris kifim - Oct 05 2022

web retrouvez tout ce que vous devez savoir sur le livre le miroir des limbes antimémoires la corde et les souris oraisons funebres le r egne du malin de de pierre brunel

le miroir des limbes i antimémoires ii la corde et les souris - Jan 08 2023

web le miroir des limbes i antimémoires ii la corde et les souris paris gallimard la pléïade 1976 in 12 1014 pp reliure d éditeur plein cuir coloris havane tête peinte en

le miroir des limbes i antimémoires ii la corde et les souris - Dec 07 2022

web abebooks com le miroir des limbes i antimémoires ii la corde et les souris in 12 175 x 110 mm de 1014 pages pleine

basane havane dos lisse orné de filets dorés

le miroir des limbes antima c moires la corde et full pdf - Jan 28 2022

web as this le miroir des limbes antima c moires la corde et it ends happening creature one of the favored book le miroir des limbes antima c moires la corde et

le miroir des limbes tome 2 la corde et les souris babelio - May 12 2023

web 25 juillet 2017 ce deuxième tome du miroir des limbes est sous titré la corde et les souris d après un petit conte du genre zen qu on retrouve en exergue le côté

pdf le miroir des limbes antima c moires la corde et - Feb 26 2022

web le miroir des limbes antima c moires la corde et health assets in a global context apr 15 2022 as global health inequities continue to widen policymakers are redoubling