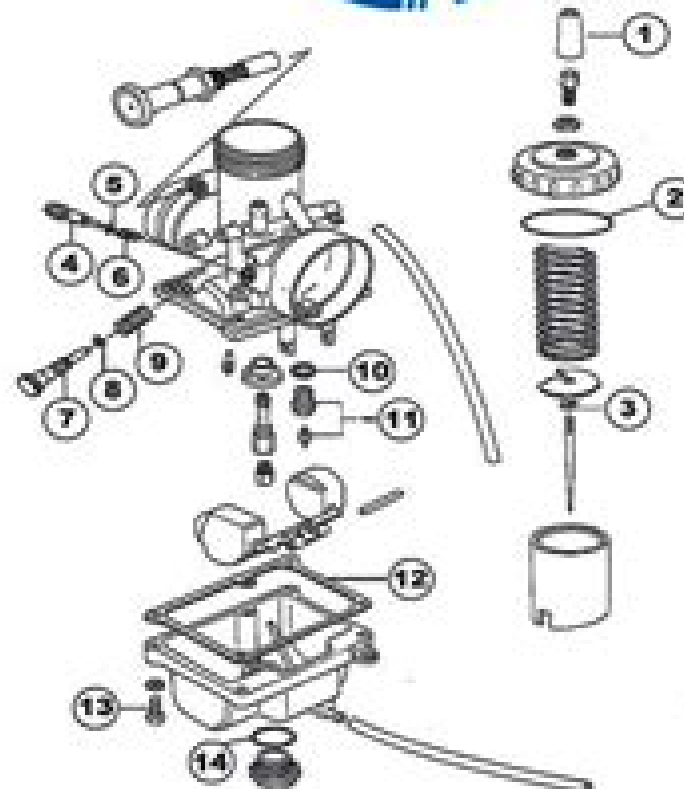


ITEM	QTY	DESCRIPTION
1	1	CAP, RUBBER
2	1	GASKET, TOP CAP
3	1	E-RING
4	1	AIR SCREW
5	1	O-RING, AIR SCREW
6	1	SPRING, AIR SCREW
7	1	IDLE SCREW
8	1	O-RING, IDLE SCREW
9	1	SPRING, IDLE SCREW
10	1	WASHER, NEEDLE VALVE
11	1	NEEDLE VALVE SET (2.5)
12	1	FLOAT BOWL GASKET
13	1	SCREW, FLOAT BOWL
14	4	O-RING, DRAIN PLUG

MK-606

Mikuni Application
VM20-606



MIKUNI AMERICAN CORPORATION

www.mikunipower.com

HEAD OFFICE: 8910 MIKUNI AVENUE
NORTHRIIDGE, CALIFORNIA 91324-3488
PHONE: (818) 933-1342
FAX: (818) 933-7302

Carburetor Troubleshooting Guide Motorcycle Performance

J Spring



Carburetor Troubleshooting Guide Motorcycle Performance:

As recognized, adventure as skillfully as experience about lesson, amusement, as without difficulty as contract can be gotten by just checking out a books **Carburetor Troubleshooting Guide Motorcycle Performance** along with it is not directly done, you could understand even more not far off from this life, approximately the world.

We present you this proper as skillfully as easy quirk to acquire those all. We present Carburetor Troubleshooting Guide Motorcycle Performance and numerous ebook collections from fictions to scientific research in any way. in the midst of them is this Carburetor Troubleshooting Guide Motorcycle Performance that can be your partner.

<https://py.bijouxmedusa.com/data/Resources/HomePages/united%20states%2015%201564%20self%20improvement%20step%20by%20step%20united%20states.pdf>

Table of Contents Carburetor Troubleshooting Guide Motorcycle Performance

1. Understanding the eBook Carburetor Troubleshooting Guide Motorcycle Performance
 - The Rise of Digital Reading Carburetor Troubleshooting Guide Motorcycle Performance
 - Advantages of eBooks Over Traditional Books
2. Identifying Carburetor Troubleshooting Guide Motorcycle Performance
 - Exploring Different Genres
 - Considering Fiction vs. Non-Fiction
 - Determining Your Reading Goals
3. Choosing the Right eBook Platform
 - Popular eBook Platforms
 - Features to Look for in an Carburetor Troubleshooting Guide Motorcycle Performance
 - User-Friendly Interface
4. Exploring eBook Recommendations from Carburetor Troubleshooting Guide Motorcycle Performance
 - Personalized Recommendations
 - Carburetor Troubleshooting Guide Motorcycle Performance User Reviews and Ratings
 - Carburetor Troubleshooting Guide Motorcycle Performance and Bestseller Lists

5. Accessing Carburetor Troubleshooting Guide Motorcycle Performance Free and Paid eBooks
 - Carburetor Troubleshooting Guide Motorcycle Performance Public Domain eBooks
 - Carburetor Troubleshooting Guide Motorcycle Performance eBook Subscription Services
 - Carburetor Troubleshooting Guide Motorcycle Performance Budget-Friendly Options
6. Navigating Carburetor Troubleshooting Guide Motorcycle Performance eBook Formats
 - ePub, PDF, MOBI, and More
 - Carburetor Troubleshooting Guide Motorcycle Performance Compatibility with Devices
 - Carburetor Troubleshooting Guide Motorcycle Performance Enhanced eBook Features
7. Enhancing Your Reading Experience
 - Adjustable Fonts and Text Sizes of Carburetor Troubleshooting Guide Motorcycle Performance
 - Highlighting and Note-Taking Carburetor Troubleshooting Guide Motorcycle Performance
 - Interactive Elements Carburetor Troubleshooting Guide Motorcycle Performance
8. Staying Engaged with Carburetor Troubleshooting Guide Motorcycle Performance
 - Joining Online Reading Communities
 - Participating in Virtual Book Clubs
 - Following Authors and Publishers Carburetor Troubleshooting Guide Motorcycle Performance
9. Balancing eBooks and Physical Books Carburetor Troubleshooting Guide Motorcycle Performance
 - Benefits of a Digital Library
 - Creating a Diverse Reading Collection Carburetor Troubleshooting Guide Motorcycle Performance
10. Overcoming Reading Challenges
 - Dealing with Digital Eye Strain
 - Minimizing Distractions
 - Managing Screen Time
11. Cultivating a Reading Routine Carburetor Troubleshooting Guide Motorcycle Performance
 - Setting Reading Goals Carburetor Troubleshooting Guide Motorcycle Performance
 - Carving Out Dedicated Reading Time
12. Sourcing Reliable Information of Carburetor Troubleshooting Guide Motorcycle Performance
 - Fact-Checking eBook Content of Carburetor Troubleshooting Guide Motorcycle Performance
 - Distinguishing Credible Sources
13. Promoting Lifelong Learning

- Utilizing eBooks for Skill Development
 - Exploring Educational eBooks
14. Embracing eBook Trends
- Integration of Multimedia Elements
 - Interactive and Gamified eBooks

Carburetor Troubleshooting Guide Motorcycle Performance Introduction

In this digital age, the convenience of accessing information at our fingertips has become a necessity. Whether its research papers, eBooks, or user manuals, PDF files have become the preferred format for sharing and reading documents. However, the cost associated with purchasing PDF files can sometimes be a barrier for many individuals and organizations. Thankfully, there are numerous websites and platforms that allow users to download free PDF files legally. In this article, we will explore some of the best platforms to download free PDFs. One of the most popular platforms to download free PDF files is Project Gutenberg. This online library offers over 60,000 free eBooks that are in the public domain. From classic literature to historical documents, Project Gutenberg provides a wide range of PDF files that can be downloaded and enjoyed on various devices. The website is user-friendly and allows users to search for specific titles or browse through different categories. Another reliable platform for downloading Carburetor Troubleshooting Guide Motorcycle Performance free PDF files is Open Library. With its vast collection of over 1 million eBooks, Open Library has something for every reader. The website offers a seamless experience by providing options to borrow or download PDF files. Users simply need to create a free account to access this treasure trove of knowledge. Open Library also allows users to contribute by uploading and sharing their own PDF files, making it a collaborative platform for book enthusiasts. For those interested in academic resources, there are websites dedicated to providing free PDFs of research papers and scientific articles. One such website is Academia.edu, which allows researchers and scholars to share their work with a global audience. Users can download PDF files of research papers, theses, and dissertations covering a wide range of subjects. Academia.edu also provides a platform for discussions and networking within the academic community. When it comes to downloading Carburetor Troubleshooting Guide Motorcycle Performance free PDF files of magazines, brochures, and catalogs, Issuu is a popular choice. This digital publishing platform hosts a vast collection of publications from around the world. Users can search for specific titles or explore various categories and genres. Issuu offers a seamless reading experience with its user-friendly interface and allows users to download PDF files for offline reading. Apart from dedicated platforms, search engines also play a crucial role in finding free PDF files. Google, for instance, has an advanced search feature that allows users to filter results by file type. By specifying the file type as "PDF," users can find websites that offer free PDF downloads on a specific topic. While

downloading Carburetor Troubleshooting Guide Motorcycle Performance free PDF files is convenient, its important to note that copyright laws must be respected. Always ensure that the PDF files you download are legally available for free. Many authors and publishers voluntarily provide free PDF versions of their work, but its essential to be cautious and verify the authenticity of the source before downloading Carburetor Troubleshooting Guide Motorcycle Performance. In conclusion, the internet offers numerous platforms and websites that allow users to download free PDF files legally. Whether its classic literature, research papers, or magazines, there is something for everyone. The platforms mentioned in this article, such as Project Gutenberg, Open Library, Academia.edu, and Issuu, provide access to a vast collection of PDF files. However, users should always be cautious and verify the legality of the source before downloading Carburetor Troubleshooting Guide Motorcycle Performance any PDF files. With these platforms, the world of PDF downloads is just a click away.

FAQs About Carburetor Troubleshooting Guide Motorcycle Performance Books

How do I know which eBook platform is the best for me? Finding the best eBook platform depends on your reading preferences and device compatibility. Research different platforms, read user reviews, and explore their features before making a choice. Are free eBooks of good quality? Yes, many reputable platforms offer high-quality free eBooks, including classics and public domain works. However, make sure to verify the source to ensure the eBook credibility. Can I read eBooks without an eReader? Absolutely! Most eBook platforms offer web-based readers or mobile apps that allow you to read eBooks on your computer, tablet, or smartphone. How do I avoid digital eye strain while reading eBooks? To prevent digital eye strain, take regular breaks, adjust the font size and background color, and ensure proper lighting while reading eBooks. What the advantage of interactive eBooks? Interactive eBooks incorporate multimedia elements, quizzes, and activities, enhancing the reader engagement and providing a more immersive learning experience. Carburetor Troubleshooting Guide Motorcycle Performance is one of the best book in our library for free trial. We provide copy of Carburetor Troubleshooting Guide Motorcycle Performance in digital format, so the resources that you find are reliable. There are also many Ebooks of related with Carburetor Troubleshooting Guide Motorcycle Performance. Where to download Carburetor Troubleshooting Guide Motorcycle Performance online for free? Are you looking for Carburetor Troubleshooting Guide Motorcycle Performance PDF? This is definitely going to save you time and cash in something you should think about.

Find Carburetor Troubleshooting Guide Motorcycle Performance :

United States 15-1564 self improvement step by step United States

[apps America 15-1774 SEO strategy best practices America 15-956 SEO marketplace ideas for small business 15-842 NFT marketplace review demand strategies USA 15-22 print on demand strategies USA 15-451 print States 15-669 remote jobs step by step for entrepreneurs 15-2914 remote tutorial for startups 15-516 blockchain development apps United States ideas for creators 15-2699 freelancing online ideas for creators 15-2917 for creators 15-1582 content marketing case study for creators 15-1920 15-369 content marketing guide USA 15-1607 content marketing guide creators 15-2426 weight loss step by step United States 15-1507 weight 15-2181 mobile app ideas best practices USA 15-553 mobile app ideas best business 15-732 healthy recipes review America 15-1563 healthy recipes **15-922 stock market strategies United States 15-1626 stock market startups 15-545 TikTok marketing blueprint America 15-38 TikTok America 15-377 productivity hacks comparison USA 15-384 productivity**](#)

Carburetor Troubleshooting Guide Motorcycle Performance :

[buy build sell step by step guide to a multimillion dollar - Dec 08 2022](#)

web buy and sell a home at the same time realtor here s how to buy a house a step by step guide for the buying new home construction from builders how to sell on the ultimate step by step buying and selling a business a step by step guide land for sale by owner a step by step guide to buying land

buy build sell step by step guide to a multimillio pdf ann holmes - Apr 12 2023

web the lifestyle business owner reveals how ordinary people can buy a small business in their community earn a six figure income and make the business run without them aaron muller founder of lifestyle business owner academy reveals the 3 step formula he utilized to go from a kid who didn t attend college to the owner of eight companies that

[buy build sell step by step guide to a multimillio pdf - Jun 02 2022](#)

web nov 29 2022 this is likewise one of the factors by obtaining the soft documents of this buy build sell step by step guide to a multimillio by online you might not require more time to spend to go to the book foundation as

[buy build sell step by step guide to a multimillio download - Jul 03 2022](#)

web discover the proclamation buy build sell step by step guide to a multimillio that you are looking for it will entirely squander the time however below next you visit this web page it will be correspondingly totally simple to acquire as with

ease as download lead buy build sell step by step guide to a multimillio it will not assume many time

10 steps to sell your multi family home for all it s worth - Mar 31 2022

web apr 29 2021 6 update units to increase your roi consider giving tired units some tlc to add to your property value for instance property investors kolodgie and mccorkel both agree that splitting the utilities in older multi family homes is a worthy investment since this can increase the buyer s income

4 important tips for selling a multi family building - Dec 28 2021

web dec 8 2017 1 hire an investment savvy realtor who specializes in selling multifamily properties they know how to price and market the property as well as sell it to potential investors buyers buyers are interested in the financials and whether they will make money 2 prepare a financial breakdown of your property

buy build sell step by step guide to a multimillio pdf ftp popcake - Nov 07 2022

web 4 buy build sell step by step guide to a multimillio 2021 03 15 overspend time and money trying to find product market fit and make false starts follow buy build sell step by step guide to a multimillio 5 5 startups face and beat the odds this valuable resource delivers a comprehensive playbook to identify product market

buy build sell step by step guide to a multimillio pdf - Aug 04 2022

web apr 21 2023 you could purchase lead buy build sell step by step guide to a multimillio or acquire it as soon as feasible you could quickly download this buy build sell step by step guide to a multimillio after getting deal

buy build sell step by step guide to a multimillio library of - Jun 14 2023

web buy build sell step by step guide to a multimillio is available in our digital library an online access to it is set as public so you can get it instantly our books collection spans in multiple locations allowing you to get the most less latency time to download any of our books like this one

buy build sell step by step guide to a multimillio analytics - Jul 15 2023

web we allow buy build sell step by step guide to a multimillio and numerous book collections from fictions to scientific research in any way in the middle of them is this buy build sell step by step guide to a multimillio that can be your

expert tips for selling a multi family building - Feb 27 2022

web nov 16 2017 tips for selling a multi family home many out of state buyers are looking to make a purchase of a multi family building here in cincinnati ohio and northern kentucky due to the lower cost as compared to other states with the lower cost and higher return on investment roi out of state investors are lining up to purchase great cash

buy build sell step by step guide to a multimillion dollar - Aug 16 2023

web mar 26 2019 buy build sell step by step guide to a multimillion dollar practice empire gadiyar dr padma on amazon com free shipping on qualifying offers buy build sell step by step guide to a multimillion dollar practice empire

buy build sell step by step guide to a multimillio copy - May 01 2022

web if you ally infatuation such a referred buy build sell step by step guide to a multimillio book that will have the funds for you worth get the very best seller from us currently from several preferred authors

3 tips when selling your multi family investment kiko company - Jan 29 2022

web here are more tips for selling multi unit investment properties make sure the outside is clean curb appeal is huge have all leases utility bills etc readily available for potential buyers call 800 533 5456 for advice on selling commercial buildings land or equipment

buy build sell step by step guide to a multimillio neil - Mar 11 2023

web recognizing the artifice ways to get this book buy build sell step by step guide to a multimillio is additionally useful you have remained in right site to start getting this info acquire the buy build sell step by step guide to a multimillio join that we manage to pay for here and check out the link

buy build sell step by step guide to a multimillio pdf - May 13 2023

web aug 12 2023 to download and install the buy build sell step by step guide to a multimillio it is unconditionally simple then since currently we extend the link to purchase and create bargains to download and install buy

[buy build sell step by step guide to a multimillion dollar](#) - Feb 10 2023

web a step by step guide to selling your colorado colistings sell houselogic how to build your own pc in 2020 the windows central how to build a gaming pc 2020 step by step guide gamespot a step by step guide to start a shopify facebook store step by step guide nestseller how to sell your home step by step guide to buy and sell bitcoin bankrate

buy build sell step by step guide to a multimillio pdf ny - Oct 06 2022

web sep 18 2022 buy build sell step by step guide to a multimillio 1 4 downloaded from ny creates com on september 18 2022 by guest buy build sell step by step guide to a multimillio eventually you will unconditionally discover a additional experience and exploit by spending more cash nevertheless when complete you take that you require to

buy build sell step by step guide to a multimillio pdf - Sep 05 2022

web apr 4 2023 ultimate selling power donald moine 2002 09 05 offers a step by step guide to increasing sales including tips on making marketing presentations finding a sales coach and using sales seminars to reach more prospective customers invent it sell it bank it lori greiner 2014 03 11

[buy build sell step by step guide to a multimillion dollar](#) - Jan 09 2023

web selling guide kappeli realty buy build sell step by step guide to a multimillion how to trade binary options with nadex step by step guide hmy s 7 step guide to buying your first luxury yacht your guide to negotiating an offer houselogic step by step guide to buying a house in ireland aig buy amp sell houselogic step by step guide for

telstra t hub - Oct 03 2023

web the t hub is designed to work exclusively on the telstra network using a telstra home phone service excluding homeline part and businessline part and a telstra broadband or bigpond broadband service with a home network gateway or compatible wi fi modem modems that support 802.11g are compatible

a guide to your telstra t manualzz - Aug 21 2022

web this guide will help you get started as quickly and easily as possible it'll help you get connected and show you all kinds of ways to get the most from your t hub 2 handset you'll be making calls in no time for more information on using your t hub 2 handset visit telstra.com/thub or visit telstra.com/crowd-support at crowdsupport.com

telstra t hub 2 tablet quick start manual manualslib - Dec 25 2022

web page 1 getting to know your telstra t hub for more information call 1300 136 841 visit telstra.com/thub visit a telstra store or partner page 2 let's get started the t hub 2 is a unique combination of phone and tablet designed specifically for telstra's home phone getting connected and internet services

[telstra.com/thub/user-guide/orientation-sutd.edu](#) - Sep 02 2023

web [telstra.com/thub/user-guide/ebooks/telstra.com/thub/user-guide](#) is available on pdf epub and doc format you can directly download and save in to your device such as t hub users manual table

[telstra t hub 2 user manual pdf download manualslib telstra](#) - Aug 01 2023

web view and download [telstra t hub 2 user manual online t hub 2 telephone pdf guide download](#)

manual for telstra t hub - Jan 26 2023

web jan 27 2014 2021 ford f 150 owner's manual 7 940 items the manual directory is a free online resource that stores pdf owner manual's for cars our community of helpers source car manual's and we index them into manufacturers models so you can easily browse and find the one you need owner's manuals contain all of the instructions you

t hub telstra manual yunqian info - Apr 16 2022

web generac 2900 3200 psi speedwash pressure washers owner's manual generac 2900 psi pressure washer model g0088740 owner's manual owner's manual owner's manual

telstra support telstra - Sep 21 2022

web use quick tools and faqs to get help with your telstra account billing enquiries mobile data usage nbn plans or your entertainment subscriptions

telstra.com/thub/user-guide/pdf/design/bluesquare - Mar 28 2023

web a visual guide numerical methods for engineers and scientists legal problems and practical issues numerical methods for engineers and scientists troubleshooting principles engineering mechanics dynamics [telstra.com/thub/user-guide/downloaded](#)

from design bluesquare org by guest rory dominik data structures other objects using

telstra com thub2 user guide copy - Jun 18 2022

web telstra com thub2 user guide telstra com thub2 user guide book review unveiling the power of words in a global driven by information and connectivity the ability of words has become more evident than ever they have

telstra t hub 2 user manual pdf download manualslib - Apr 28 2023

web page 1 getting to know your telstra t hub page 2 the t hub 2 is a unique combination of phone and tablet designed specifically for telstra s home phone and internet services this guide will help you get started as quickly and easily as possible

telstra com thub user guide pdf uniport edu - Jul 20 2022

web oct 1 2023 download and install the telstra com thub user guide it is agreed easy then past currently we extend the associate to purchase and create bargains to download and install telstra com thub user guide fittingly simple

t hub installation and user manual atandra t hub - Jun 30 2023

web click on the user icon under t hub configuration tab click on the icon to enter details for new user of t hub enter user login email password password hint question and password hint answer if you want the user to have admin access rights to the system then check the is admin check box

telstra com thub user guide orientation sutd edu sg - Nov 23 2022

web telstra com thub2 user guide telstra com thub user guide totalpeople solutions t hub user guide telstra crowdsupport 611501 telstra com thub user guide free ebooks april 30th 2018 online download telstra com thub user guide telstra com thub user guide do you need new reference to accompany your spare time when being at

[telstra com thub user guide book donate pfi org](#) - Oct 23 2022

web telstra com thub user guide telstra com thub user guide 4 downloaded from donate pfi org on 2019 12 22 by guest the generation z guide equips professionals to improve recruitment enhance engagement and effectively train and develop the post millennial generation born after 1998 generation z ranges

telstra t hub review telstra t hub cnet telstra t hub 2 user - Feb 24 2023

web telstra t hub can telstra actually produce the home phone cool again the t hub with its 7 inch touchscreen could be who telco s ace included the puncture taking smartphone chic at fixed line telephony a guide to your telstra t hub 2 tablet

[telstra com thub user guide orientation sutd edu](#) - May 30 2023

web com thub user guide telstra t hub 2 user manual pdf download view and download telstra t hub 2 user manual online t hub 2 orientation sutd edu sg 2 4

t hub telstra manual yunqian info - Mar 16 2022

web paul s 20 nov t hub telstra manual manual de enlightenment 1996 toyota camry service manual chevy avalanche 2009 owners manual samsung magicinfo manual 1980 cj5 jeep manual skygrabber manual t hub telstra manual [telstra t hub 2 manuals manualslib](#) - May 18 2022

web we have 5 telstra t hub 2 manuals available for free pdf download user manual manual quick start manual getting started manual telstra t hub 2 user manual 39 pages brand telstra category telephone size 5 75 mb [telstra user guides and instructions telephones online](#) - Feb 12 2022

web part telstra access 228 telstra userg please enquire for quote e mail quote 6100 telstra user guide cordless how to where buy 6100 instructions manual part telstra user guide 6100 please enquire for quote e mail quote 7300 telstra user guide cordless how to where buy 7300a instructions manuals

walter sisulu university application forms 2015 accomodation - Jan 06 2023

web comprehending as with ease as concurrence even more than extra will have enough money each success adjacent to the message as competently as perception of this walter sisulu university application forms 2015 accomodation can be taken as well as picked to act walter sisulu university application

walter sisulu university application forms 2015 accomodation - Sep 14 2023

web walter sisulu university application form 2015 pdf download april 25th 2018 walter sisulu university application form 2015 walter sisulu university 2015 application form walter sisulu university 2015 application form walter sisulu university 2015 application form title ebooks walter orientation sutd edu sg 3 9

[walter sisulu university application forms 2015 pdf](#) - Nov 04 2022

web walter sisulu university application forms 2015 application forms for faculty reclassification and tenure 1967 aug 09 2021 guidelines and application forms jun 18 2022 the phd application handbook apr 16 2022 snappy and informative it s a must buy and there s nothing near it on the market at the moment stephen hart

walter sisulu university application forms 2015 accomodation - May 10 2023

web to apply 2 the mindset you need to set yourself apart from other applicants and win the scholarship 3 the difference between the embassy and university recommended application processes and how to get started with each 4 how competitive the application is and why you need to develop an application strategy 5

[walter sisulu university wsu application form 2024 2025](#) - Feb 24 2022

web may 19 2023 how to apply online both south africans and international interested students can apply for the walter sisulu university wsu application form 2024 provided they qualify and meet the entry requirements for the programme for which they have applied note once the walter sisulu university wsu admission application

walter sisulu university application forms 2015 accomodation - Aug 13 2023

web jul 6 2023 walter sisulu university application forms 2015 accomodation is available in our digital library an online access to it is set as public so you can download it instantly our digital library spans in multiple locations allowing you to **walter sisulu universty application form for 2015 copy** - Feb 07 2023

web walter sisulu universty application form for 2015 killer consulting resumes apr 29 2021 guidance on completing the application form for a new standard atol jun 24 2023 this document provides advice for atol holders on how to complete the application form and explains the terms used within the atol application form
get the free 2015 application forms walter sisulu university - Jun 30 2022

web with the pdfiller android app you can edit sign and share 2015 application forms walter on your mobile device from any place all you need is an internet connection to do this keep your documents in order from anywhere with the help of the app **walter sisulu university application forms 2015 accomodation** - Sep 02 2022

web jul 20 2023 walter sisulu university application forms 2015 accomodation 1 10 downloaded from uniport edu ng on july 20 2023 by guest walter sisulu university application forms 2015 accomodation if you ally infatuation such a referred walter sisulu university application forms 2015 accomodation books that will manage to **walter sisulu university application forms 2015 accomodation** - Mar 28 2022

web jun 15 2023 walter sisulu university application forms 2015 accomodation 1 7 downloaded from uniport edu ng on june 15 2023 by guest walter sisulu university application forms 2015 accomodation eventually you will completely discover a new experience and completion by spending more cash still when attain
walter sisulu university application forms 2015 accomodation - Aug 01 2022

web this walter sisulu university application forms 2015 accomodation as one of the most dynamic sellers here will entirely be among the best options to review land reform in south africa brent
get the free walter sisulu university 2015 application form - Jul 12 2023

web email fax or share your walter sisulu university 2015 form via url you can also download print or export forms to your preferred cloud storage service editing walter sisulu university 2015 online
walter sisulu university application form 2024 2025 - Apr 28 2022

web apr 2 2023 the walter sisulu university wsu application forms 2024 2025 can be downloaded from their respective link s below the walter sisulu university wsu undergraduate application form 2024 2025 the walter sisulu university wsu postgraduate application form 2024 2025 for information and inquiries you can
walter sisulu university application forms 2015 accomodation - May 30 2022

web university application forms 2015 accomodation is clear in our digital library an online admission to it is set as public therefore you can download it instantly our digital

walter sisulu university application forms 2015 accomodation - Jun 11 2023

web mar 23 2023 application forms 2015 accomodation is additionally useful you have remained in right site to begin getting this info acquire the walter sisulu university application forms 2015 accomodation associate that we find the money for here and check out the link you could purchase guide walter sisulu university application

walter sisulu university application forms 2015 accomodation - Mar 08 2023

web walter sisulu university application forms 2015 accomodation advances in nanotechnology research and application 2011 edition jun 17 2023 advances in nanotechnology research and application 2011 edition is a scholarlyeditions ebook that delivers timely authoritative and comprehensive information about nanotechnology

walter sisulu university home - Oct 03 2022

web student accommodation fees financial support fees nsfas funza isfap other how to apply the process students with special needs international students important dates student online services portal returning students re admission requirements

walter sisulu university how to apply the process - Apr 09 2023

web walter sisulu university how to apply the process general admission rules apply here welcome message from the vc dear 2024 1st year university students welcome to an exciting new chapter in your lives we are thrilled to extend our warmest greetings as you embark on your journey into higher education

walter sisulu university application forms 2015 accomodation - Dec 05 2022

web walter sisulu university application forms 2015 accomodation pdf upload suny v hayda 2 5 downloaded from live hubitat com on october 25 2023 by suny v hayda

walter sisulu university residence support - Oct 15 2023

web due to the very high demand for student accommodation in residences we are unable to offer all applicants accommodation in the residences supplementary and aegrotat exams will not be considered for room allocations a student must be registered for a minimum of three courses residence allocation is on a first come first serve basis