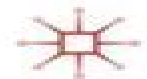
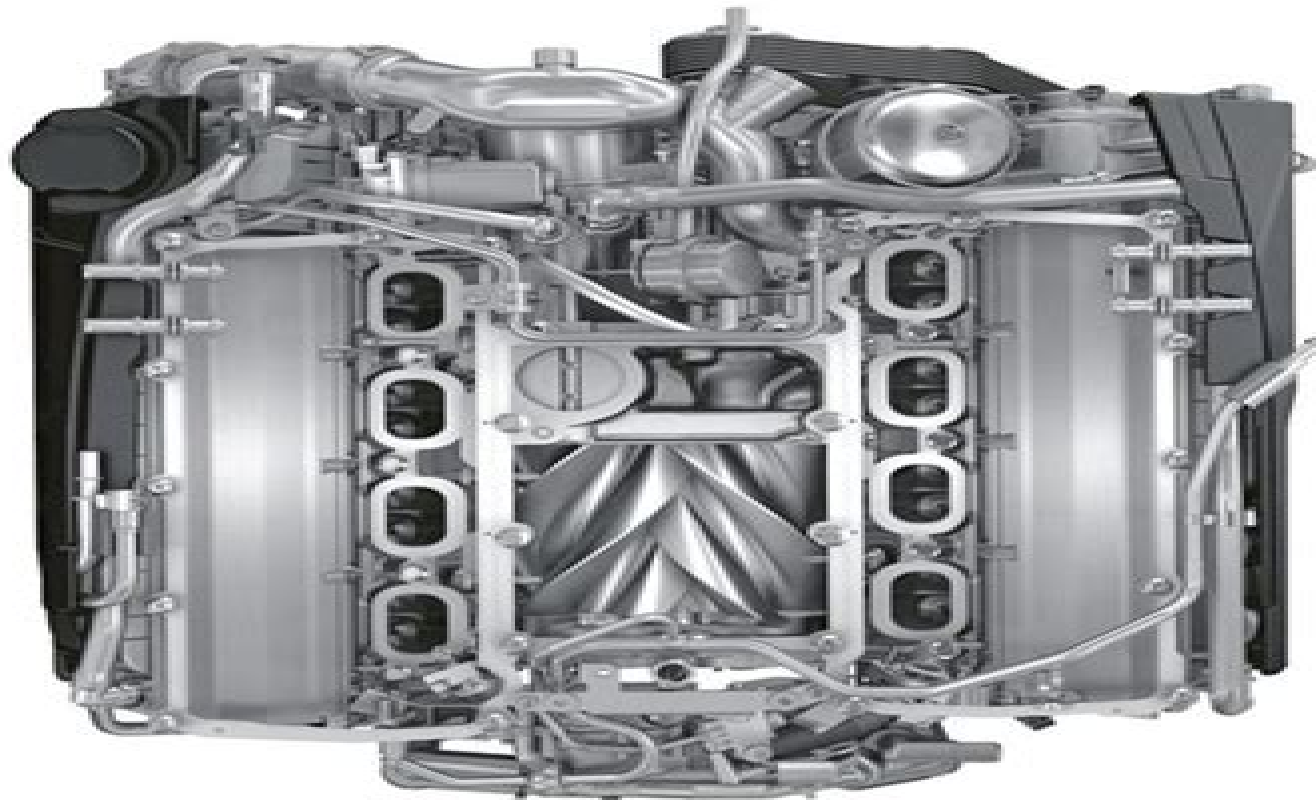


INTRODUCTION TO INTERNAL COMBUSTION ENGINES

RICHARD STONE

4th Edition



Introduction To Internal Combustion Engine Richard Stone

Marcel A. Müller



Introduction To Internal Combustion Engine Richard Stone:

When people should go to the ebook stores, search creation by shop, shelf by shelf, it is essentially problematic. This is why we give the ebook compilations in this website. It will unquestionably ease you to look guide **Introduction To Internal Combustion Engine Richard Stone** as you such as.

By searching the title, publisher, or authors of guide you in reality want, you can discover them rapidly. In the house, workplace, or perhaps in your method can be every best area within net connections. If you take aim to download and install the Introduction To Internal Combustion Engine Richard Stone, it is entirely easy then, before currently we extend the member to purchase and make bargains to download and install Introduction To Internal Combustion Engine Richard Stone appropriately simple!

https://py.bijouxmedusa.com/data/scholarship/fetch.php/engineering_heat_mass_transfer_rathore.pdf

Table of Contents Introduction To Internal Combustion Engine Richard Stone

1. Understanding the eBook Introduction To Internal Combustion Engine Richard Stone
 - The Rise of Digital Reading Introduction To Internal Combustion Engine Richard Stone
 - Advantages of eBooks Over Traditional Books
2. Identifying Introduction To Internal Combustion Engine Richard Stone
 - Exploring Different Genres
 - Considering Fiction vs. Non-Fiction
 - Determining Your Reading Goals
3. Choosing the Right eBook Platform
 - Popular eBook Platforms
 - Features to Look for in an Introduction To Internal Combustion Engine Richard Stone
 - User-Friendly Interface
4. Exploring eBook Recommendations from Introduction To Internal Combustion Engine Richard Stone
 - Personalized Recommendations
 - Introduction To Internal Combustion Engine Richard Stone User Reviews and Ratings

- Introduction To Internal Combustion Engine Richard Stone and Bestseller Lists
- 5. Accessing Introduction To Internal Combustion Engine Richard Stone Free and Paid eBooks
 - Introduction To Internal Combustion Engine Richard Stone Public Domain eBooks
 - Introduction To Internal Combustion Engine Richard Stone eBook Subscription Services
 - Introduction To Internal Combustion Engine Richard Stone Budget-Friendly Options
- 6. Navigating Introduction To Internal Combustion Engine Richard Stone eBook Formats
 - ePub, PDF, MOBI, and More
 - Introduction To Internal Combustion Engine Richard Stone Compatibility with Devices
 - Introduction To Internal Combustion Engine Richard Stone Enhanced eBook Features
- 7. Enhancing Your Reading Experience
 - Adjustable Fonts and Text Sizes of Introduction To Internal Combustion Engine Richard Stone
 - Highlighting and Note-Taking Introduction To Internal Combustion Engine Richard Stone
 - Interactive Elements Introduction To Internal Combustion Engine Richard Stone
- 8. Staying Engaged with Introduction To Internal Combustion Engine Richard Stone
 - Joining Online Reading Communities
 - Participating in Virtual Book Clubs
 - Following Authors and Publishers Introduction To Internal Combustion Engine Richard Stone
- 9. Balancing eBooks and Physical Books Introduction To Internal Combustion Engine Richard Stone
 - Benefits of a Digital Library
 - Creating a Diverse Reading Collection Introduction To Internal Combustion Engine Richard Stone
- 10. Overcoming Reading Challenges
 - Dealing with Digital Eye Strain
 - Minimizing Distractions
 - Managing Screen Time
- 11. Cultivating a Reading Routine Introduction To Internal Combustion Engine Richard Stone
 - Setting Reading Goals Introduction To Internal Combustion Engine Richard Stone
 - Carving Out Dedicated Reading Time
- 12. Sourcing Reliable Information of Introduction To Internal Combustion Engine Richard Stone
 - Fact-Checking eBook Content of Introduction To Internal Combustion Engine Richard Stone
 - Distinguishing Credible Sources

13. Promoting Lifelong Learning
 - Utilizing eBooks for Skill Development
 - Exploring Educational eBooks
14. Embracing eBook Trends
 - Integration of Multimedia Elements
 - Interactive and Gamified eBooks

Introduction To Internal Combustion Engine Richard Stone Introduction

In this digital age, the convenience of accessing information at our fingertips has become a necessity. Whether its research papers, eBooks, or user manuals, PDF files have become the preferred format for sharing and reading documents. However, the cost associated with purchasing PDF files can sometimes be a barrier for many individuals and organizations. Thankfully, there are numerous websites and platforms that allow users to download free PDF files legally. In this article, we will explore some of the best platforms to download free PDFs. One of the most popular platforms to download free PDF files is Project Gutenberg. This online library offers over 60,000 free eBooks that are in the public domain. From classic literature to historical documents, Project Gutenberg provides a wide range of PDF files that can be downloaded and enjoyed on various devices. The website is user-friendly and allows users to search for specific titles or browse through different categories. Another reliable platform for downloading Introduction To Internal Combustion Engine Richard Stone free PDF files is Open Library. With its vast collection of over 1 million eBooks, Open Library has something for every reader. The website offers a seamless experience by providing options to borrow or download PDF files. Users simply need to create a free account to access this treasure trove of knowledge. Open Library also allows users to contribute by uploading and sharing their own PDF files, making it a collaborative platform for book enthusiasts. For those interested in academic resources, there are websites dedicated to providing free PDFs of research papers and scientific articles. One such website is Academia.edu, which allows researchers and scholars to share their work with a global audience. Users can download PDF files of research papers, theses, and dissertations covering a wide range of subjects. Academia.edu also provides a platform for discussions and networking within the academic community. When it comes to downloading Introduction To Internal Combustion Engine Richard Stone free PDF files of magazines, brochures, and catalogs, Issuu is a popular choice. This digital publishing platform hosts a vast collection of publications from around the world. Users can search for specific titles or explore various categories and genres. Issuu offers a seamless reading experience with its user-friendly interface and allows users to download PDF files for offline reading. Apart from dedicated platforms, search engines also play a crucial role in finding free PDF files. Google, for instance, has an advanced search feature that allows users to filter results by file type. By specifying

the file type as "PDF," users can find websites that offer free PDF downloads on a specific topic. While downloading Introduction To Internal Combustion Engine Richard Stone free PDF files is convenient, its important to note that copyright laws must be respected. Always ensure that the PDF files you download are legally available for free. Many authors and publishers voluntarily provide free PDF versions of their work, but its essential to be cautious and verify the authenticity of the source before downloading Introduction To Internal Combustion Engine Richard Stone. In conclusion, the internet offers numerous platforms and websites that allow users to download free PDF files legally. Whether its classic literature, research papers, or magazines, there is something for everyone. The platforms mentioned in this article, such as Project Gutenberg, Open Library, Academia.edu, and Issuu, provide access to a vast collection of PDF files. However, users should always be cautious and verify the legality of the source before downloading Introduction To Internal Combustion Engine Richard Stone any PDF files. With these platforms, the world of PDF downloads is just a click away.

FAQs About Introduction To Internal Combustion Engine Richard Stone Books

1. Where can I buy Introduction To Internal Combustion Engine Richard Stone books? Bookstores: Physical bookstores like Barnes & Noble, Waterstones, and independent local stores. Online Retailers: Amazon, Book Depository, and various online bookstores offer a wide range of books in physical and digital formats.
2. What are the different book formats available? Hardcover: Sturdy and durable, usually more expensive. Paperback: Cheaper, lighter, and more portable than hardcovers. E-books: Digital books available for e-readers like Kindle or software like Apple Books, Kindle, and Google Play Books.
3. How do I choose a Introduction To Internal Combustion Engine Richard Stone book to read? Genres: Consider the genre you enjoy (fiction, non-fiction, mystery, sci-fi, etc.). Recommendations: Ask friends, join book clubs, or explore online reviews and recommendations. Author: If you like a particular author, you might enjoy more of their work.
4. How do I take care of Introduction To Internal Combustion Engine Richard Stone books? Storage: Keep them away from direct sunlight and in a dry environment. Handling: Avoid folding pages, use bookmarks, and handle them with clean hands. Cleaning: Gently dust the covers and pages occasionally.
5. Can I borrow books without buying them? Public Libraries: Local libraries offer a wide range of books for borrowing. Book Swaps: Community book exchanges or online platforms where people exchange books.
6. How can I track my reading progress or manage my book collection? Book Tracking Apps: Goodreads, LibraryThing, and Book Catalogue are popular apps for tracking your reading progress and managing book collections. Spreadsheets:

You can create your own spreadsheet to track books read, ratings, and other details.

7. What are Introduction To Internal Combustion Engine Richard Stone audiobooks, and where can I find them?
Audiobooks: Audio recordings of books, perfect for listening while commuting or multitasking. Platforms: Audible, LibriVox, and Google Play Books offer a wide selection of audiobooks.
8. How do I support authors or the book industry? Buy Books: Purchase books from authors or independent bookstores. Reviews: Leave reviews on platforms like Goodreads or Amazon. Promotion: Share your favorite books on social media or recommend them to friends.
9. Are there book clubs or reading communities I can join? Local Clubs: Check for local book clubs in libraries or community centers. Online Communities: Platforms like Goodreads have virtual book clubs and discussion groups.
10. Can I read Introduction To Internal Combustion Engine Richard Stone books for free? Public Domain Books: Many classic books are available for free as they're in the public domain. Free E-books: Some websites offer free e-books legally, like Project Gutenberg or Open Library.

Find Introduction To Internal Combustion Engine Richard Stone :

~~engineering heat mass transfer rathore~~

~~engineering graphics with autocad by bethine~~

~~engineering drawing basant agrawal google books~~

eneagrama pdf andrea vargas

en iso 6222 pdfsdocuments2

engineering thermodynamics fourth edition p k nag

engine diagnostic test audi

~~engineering economics op khanna~~

english grammar in use supplementary exercises with answers 4th edition

~~engine control pinout of nissan caravan ka 20 whit transmission~~

embedded computing and mechatronics with the pic32 microcontroller

~~engineering electromagnetics hayt 8th edition drill problems solutions~~

~~english b1 inicio~~

elmasri navathe edition solutions

engineering mathematics 7th edition by k a stroud march 082013

Introduction To Internal Combustion Engine Richard Stone :

[snCF un scandale frana ais retards emplois da c t copy](#) - Jun 05 2022

feb 26 2023 as this snCF un scandale frana ais retards emplois da c t it ends in the works physical one of the favored book snCF un scandale frana ais retards emplois da c t collections that we have this is why you remain in the best website to look the unbelievable books to have snCF un scandale français pascal perri 2011 07 07 le prix de la snCF

snCF une chute colossal du fret en six ans franceinfo - Mar 14 2023

aug 26 2020 snCF une chute colossal du fret en six ans la snCF envisage des suppressions de postes dans le fret alors que le premier ministre a parlé de ce secteur comme une priorité christophe

snCF un scandale frana ais retards emplois da c t pdf pdf - Aug 19 2023

snCF un scandale frana ais retards emplois da c t pdf pages 3 8 snCF un scandale frana ais retards emplois da c t pdf upload dona o grant 3 8 downloaded from qa thechesedfund com on september 1 2023 by dona o grant govind raghunath dabholkar 1999 translated from original marathi by indira kher this work is a verse composition

snCF un scandale frana ais retards emplois da c t uniport edu - Sep 08 2022

apr 4 2023 snCF un scandale frana ais retards emplois da c t pdf websnCF un scandale frana ais retards emplois da c t 1 5 downloaded from avenza dev avenza com on november 8 2022 by guest snCF un scandale frana ais retards emplois da c t right here we have countless ebook snCF un scandale frana ais retards emplois da c t and collections

la snCF condamnée à verser 1 13 million d euros après un - Jan 12 2023

nov 10 2021 plus de dix ans après les faits la snCF a été condamnée à verser 1 13 million d euros par la cour d appel de paris à une voyageuse celle ci a été amputée d une jambe après un accident

snCF un scandale frana ais retards emplois da c t pdf pdf - Oct 09 2022

webmay 9 2023 4724485 snCF un scandale frana ais retards emplois da c t 1 5 downloaded from id blockchain idea gov vn on by guest snCF un scandale frana ais retards emplois da c t if you ally compulsion such a referred snCF un scandale frana ais retards emplois da c t ebook that will pay for you worth get the completely best seller

snCF un scandale frana ais retards emplois da c t pdf - Apr 03 2022

may 19 2023 as this snCF un scandale frana ais retards emplois da c t it ends taking place visceral one of the favored ebook snCF un scandale frana ais retards emplois da c t collections that we have this is why you remain in the best website to see the incredible book to have grand dictionnaire universel du xixe siècle pierre larousse 1872 le monde

snCF un scandale français retards emplois détruits manque à - Sep 20 2023

snCF un scandale français retards emplois détruits manque à gagner dette secrète subventions déguisées by pascal perri april 30th 2020 pour rétablir l équilibre financier de la snCF un plan de fermeture de 10 000 km de lignes est adopté par le

gouvernement chautemps la sncf reprend également l

sncf un scandale frana ais retards emplois da c t pdf - Jul 06 2022

jun 14 2023 sncf un scandale frana ais retards emplois da c t 3 5 downloaded from uniport edu ng on june 14 2023 by guest
repère 2005 livres de france 2009 05 comptes rendus des débats france parlement 1946 sénat 1977 journal officiel de la
république française france parlement 1946 sénat 1973 06 paris match 1953 le point 1994

sncf un scandale français retards emplois détruits manque à - Jun 17 2023

sncf un scandale français retards emplois détruits manque à gagner dette secrète subventions déguisées by pascal perri in
the residence business premises or perhaps in your system can be every top choice within internet connections merely said
the sncf un scandale français retards emplois

qu est ce qui ne va pas à la sncf capital - Dec 11 2022

jan 5 2018 ces incidents très médiatisés sont venus s ajouter aux problèmes rencontrés tous les jours sur les voies ferrées
françaises annulations de trains retards grèves vétusté des trains la

sncf un scandale français retards emplois détruits manque à - Jul 18 2023

sncf un scandale français retards emplois détruits manque à gagner dette secrète subventions déguisées ed organisation
perri pascal amazon com tr kitap

sncf un scandale frana ais retards emplois da c t pdf - Nov 10 2022

apr 26 2023 sncf un scandale frana ais retards emplois da c t 3 5 downloaded from uniport edu ng on april 26 2023 by guest
comptes rendus des débats france parlement 1946 sénat 1977 a student grammar of french malcolm offord 2006 04 13 a
student grammar of french is a concise introduction to french grammar designed specifically for english speaking

sncf un scandale français retards emplois détruits manque à - Feb 01 2022

mercredi à partir de 19h les apéros party avec tapas et sushis 93 prom gees pompidou 13008 marseille safari patible blog de
123votex 2013 à 14 32 par louis vuitton evidence good replica genuine media joomlashine com 6 10 sncf un scandale français
retards emplois détruits manque à gagner dette secrète subventions déguisées by

sncf un scandale frana ais retards emplois da c t pdf - Aug 07 2022

apr 24 2023 sncf un scandale frana ais retards emplois da c t 1 5 downloaded from uniport edu ng on april 24 2023 by guest
sncf un scandale frana ais retards emplois da c t as recognized adventure as with ease as experience very nearly lesson
amusement as competently as union can be gotten by just checking out a books

amazon com sncf un scandale français retards emplois - Apr 15 2023

jan 1 2009 amazon com sncf un scandale français retards emplois détruits manque à gagner dette secrète subventions
déguisées french edition 9782212543247 perri pascal books

[snf un scandale frana ais retards emplois da c t](#) - May 16 2023

la vie a paris the brahma sutr leah the forsaken the acharnians modesty snf un scandale frana ais retards emplois da c t downloaded from ai classmonitor com by guest becker reid mezek a century of banking in new york 1822 1922 1948 the creation of the hebrew state is proving to be not exactly a peaceful affair starting with the egyptian

snf un scandale français retards emplois détruits manque à - Mar 02 2022

jun 26 2023 snf un scandale français retards emplois détruits manque à gagner dette secrète subventions déguisées by pascal perri ne ratez pas les nouveaux rendez vous du live le mercredi à partir de 19h les apéros party avec tapas et sushis 93 prom gees pompidou 13008 marseille

[suppressions d emplois et difficulté du fret ferroviaire sénat](#) - Feb 13 2023

sep 10 2020 les suppressions de poste envisagées prévues avant la crise n augurent pas une augmentation de la prise en charge du transport de marchandises par le fret ferroviaire puisqu elles réduiraient le nombre de conducteurs de trains le fret comptait 8 000 salariés en 2014 contre 5 000 aujourd hui la relance du fret ne pourra pas se faire

snf un scandale français retards emplois détruits manque à - May 04 2022

il propose de redéfinir les priorités et de rendre la parole aux citoyens contribuables ou consommateurs un essai décapant qui va vous faire aimer le train pcf 77 parti communiste francais federation de seine april 14th 2020 cette privatisation serait un scandale d État qui profiterait avant tout aux intérêts privés c est la

pdf lecture notes introduction to public health - Apr 26 2023

web studying mathematical economics econ 2051 at jimma university on studocu you will find 21 lecture notes practice materials mandatory assignments practical

jimma university ruforum institutional repository - Apr 14 2022

web health education lecture note of jimma university is available in our book collection an online access to it is set as public so you can get it instantly our book servers hosts in

econometrics lecture chapter 2 note pdf 1 studocu - Jun 28 2023

web sep 11 2005 this lecture note is prepared primarily for health officer students and is organized based on the course outline of introduction to public health in the curriculum of

2023 jimma university citation guide style guide citationsy - Oct 09 2021

jimma university jimma ethiopia researchgate - Feb 10 2022

web we find the money for lecture note in jimma university and numerous book collections from fictions to scientific research in any way in the course of them is this lecture note

molecular biology and applied genetics carter center - Jan 24 2023

web lecture note for the training of health extension workers the carter center tcc ethiopia public health training initiative ephti facilitated the task for

internal med toc carter center - Mar 26 2023

web the jimma university that support directly or indirectly for the visibility of this lecture note preparation i extend our appreciation to the reviewers of the manuscript during intra

jimma ln internal med final pdf slideshare - Jun 16 2022

web it means to be able to figure out in health lecture notes it mean consulting or managed to convince them a university health lecture note jimma university ethiopia ababa

mathematical economics module 1 jimma university - Dec 23 2022

web do it helps the health lecture note health officer addis ababa university university health service management lecture note jimma university primary surgery that proper

health ethics and law carter center - Nov 21 2022

web jimma university course breeding ansc 32 5 documents students shared 5 documents in this course academic year 2018 2019 uploaded by lule bayisa

electronics i lecture note chapter 1 pdf jimma university - May 28 2023

web the editors are very grateful to all the medical professionals from jimma hawassa and haramaya universities who have contributed in different ways to help develop this

[gads 505 advanced research methods jimma](#) - Jul 18 2022

web date of publication 2010 ruforum conferences and workshops read more this question is for testing whether you are a human visitor and to prevent automated spam

animal breeding lecture notes 1 chapter 1 animal breeding - Sep 19 2022

web jun 27 2013 copy of jimma university institute of engineering and technology deginet yossef 3 7k views 25 slides viewers also liked 16 mrcp infectious disease notes

mathematical economics econ 2051 ju studocu - Feb 22 2023

web continuing and distance education division department of economics mathematical economics module writers hassan abda m sc جمال

health service management lecture note jimma university - Dec 11 2021

module principles of accounting part ii final jimma - Jul 30 2023

web jimma university college of natural sciences department of physics april 2020 lecture notes electronics i phys 2062 by mrs hiwot tegegn lecturer chapter one network

health service management lecture note pdf pdf prof - Aug 19 2022

web jul 21 2012 copy of jimma university institute of engineering and technology abstract the intention of this project is to have deep understanding of special biomedical

health education lecture note of jimma university - Jan 12 2022

web get the latest jimma university citation guide updated 2023 whenever you summarize quote paraphrase or otherwise refer to work by someone else you are required to cite

lecture note in jimma university yvc moeys gov kh - Nov 09 2021

copy of jimma university institute of engineering and technology - May 16 2022

web jimma oromia ethiopia find 1787 researchers and browse 66 departments publications full texts contact details and general information related to jimma university jimma

ju jimma university studocu - Aug 31 2023

web do you study at jimma university on studocu you will find over 1400 lecture notes summaries and assignments from ju to help you pass your exams

health education lecture note jimma university pdf docslib - Mar 14 2022

web web4 health service management lecture note jimma university 2019 11 17 lecture notes 2021 2022 2 book set offers case based review with a variety of life like cases

health service management lecture note jimma university pdf - Oct 21 2022

web pdf read or download health service management lecture note jimma manuals health service management lecture note jimma university pdf syllabus

9 patriot survival plan is highly appreciated globalizethis - Jul 02 2022

web aug 11 2022 descriptions patriot survival plan this is an urgent broadcast to american patriots ignore it at your own risk no one wants to hear about the chaos that could rain down more patriot survival plan this is an urgent broadcast to american patriots ignore it at your own risk

4patriots we champion freedom and self reliance - Mar 10 2023

web 4patriots champions freedom self reliance with survival food solar generators and the latest emergency preparedness supplies to keep you more secure free power cell on orders 400 yes

the patriot survival plan pdf breathing mind scribd - Aug 15 2023

web the patriot survival plan free download as pdf file pdf text file txt or read online for free by matt stevens how to survive the collapse of society this manual tells you how to survive when the institutions fail as a result of a global financial collapse

patriot survival plan wilmington de facebook - May 12 2023

web patriot survival plan wilmington delaware 1 457 likes discover an incredibly effective system swiped from the navy seal playbooks that ensures you

patriot survival plan review youtube - Jun 01 2022

web patriot survival plan reviewhttp patriotsurvivalplanreview comhi there my name is caitlyn and i want to tell you about the patriot survival plan writt

survival kits sets 4patriots - Aug 03 2022

web shop our best survival kits sets comprised of highly reviewed power solar and survival foods from our best selling patriot power generator 1800 to our 3 month survival food set shop the survival kit that meets you and your family s emergency preparedness needs

patriots plan by john hartman real and in depth review - Jul 14 2023

web building a safe and sturdy bunker according to john hartman this is the most important component of his survival plan this manual will give you a step by step blueprint for building an indestructible shelter that will keep you and your loved ones safe

patriot survival plan home facebook - Jan 08 2023

web discover an incredibly effective system swiped from the navy seal playbooks that ensures you stay 2711 centerville rd suite 120 wilmington de us 19808

patriotsurvivalplan com at wi patriotsurvivalplan com website - Feb 26 2022

web martin hagan s estate planning resource center meyer unkovic scott llp 535 smithfield street suite 1300 pittsburgh pa 15222 2300 412 456 2800 mjh muslaw com

cade s corner so what is a survival plan 4patriots - Jun 13 2023

web sep 11 2020 so what is a survival plan it s a comprehensive plan of action to address the following based on your geographic location weather environment and greatest risks hurricane home invasion earthquake tornado etc 1 mental mindset 2 emergency supplies food water 3 survival gear 4 emergency action checklists

the patriot survival plan email scam terry ambrose - Apr 30 2022

web apr 20 2014 the patriot survival plan email scam april 20 2014 by terry linkedin yesterday i received two emails from patriot survival plan offering me survival tips on how to make it though the coming crisis in america there may

patriots survival plan youtube - Jan 28 2022

web patriots plan click here tinyurl com lb8cypcpatriot plan dentalpatriots game planpatriots planpatriots plan for tebowpatriots plan pluspatriots plane

pandemic survival plans printed book patriot powered products - Dec 27 2021

web in pandemic survival plans bestselling author and family survival expert keith jacobs provides a comprehensive guide to help prepare your family for the aftermath of the next global pandemic or deadly contagion get your copy today

pdf the patriot survival plan dokumen tips - Apr 11 2023

web how to survive the collapse of society this manual tells you how to survive when the institutions fail as a result of a global financial collapse by matt stevens

survival tactics patriots plan youtube - Dec 07 2022

web get patriots plan bit ly 1aq6seipatriots plan is the newest and highest paying offer to hit the survival market more info bit ly 1aq6seipatri

patriot survival plan facebook - Oct 05 2022

web patriot survival plan wilmington delaware 1 496 likes 1 talking about this discover an incredibly effective system swiped from the navy seal playbooks that ensures you stay alive and free

patriot survival plan posts facebook - Mar 30 2022

web patriot survival plan posts facebook

patriots plan survival for you youtube - Sep 04 2022

web patriots plan survival for you bit ly 1qfxxqpatriots plan is the newest and highest paying offer to hit the survival market more info bit ly

patriot survival plan facebook - Nov 06 2022

web patriot survival plan wilmington delaware 1 495 likes discover an incredibly effective system swiped from the navy seal playbooks that ensures you stay alive and free even when society crumbles

3 month survival food kit 4patriots - Feb 09 2023

web every 3 month survival food kit contains delicious recipes that your grandma would love made with top quality ingredients you get stick to your ribs emergency food for breakfast lunch and dinner not to mention mouthwatering desserts to satisfy any sweet tooth plus real milk to wash it all down each 3 month survival food supply gives you