

Activity - Practice with Complex Circuits

$$V = IR$$

Part I

In the circuits below, the voltage of the battery is 12 V and each resistor is 2 Ω. For each circuit:

- Describe the circuit and any assumptions you make. Which resistors are in series? Which are in parallel?
- Calculate the current through each resistor and the voltage across each resistor.

$$\text{Total: } 8 + 2 = 10$$

$$\text{Series} = 2 + 2 + 2 + 2 = 8 \Omega$$

$$\text{Parallel} = \frac{1}{2} = 2 \Omega$$

$$V = IR \rightarrow I = \frac{V}{R} = \frac{12}{10} = 1.2 \text{ A}$$

$$A = \frac{2 \Omega}{4.67} (12)$$

5.13

$$2 + 2 = 4 \Omega (\text{series}) \quad \frac{1}{2} + \frac{1}{2} + \frac{1}{2} = \frac{3}{2} = \frac{2}{3} (\text{parallel})$$

$$4 + \frac{2}{3} = 4.67 \Omega = \text{total}$$

$$V = IR$$

$$I = \frac{V}{R} = \frac{12}{4.67}$$

$$I = 2.57$$

$$\frac{2.57 \text{ A}}{3} = 0.86 \text{ A}$$

$$V = IR$$

$$V = (0.86) \left(\frac{2}{3}\right)$$

$$V = 0.57 \text{ V}$$

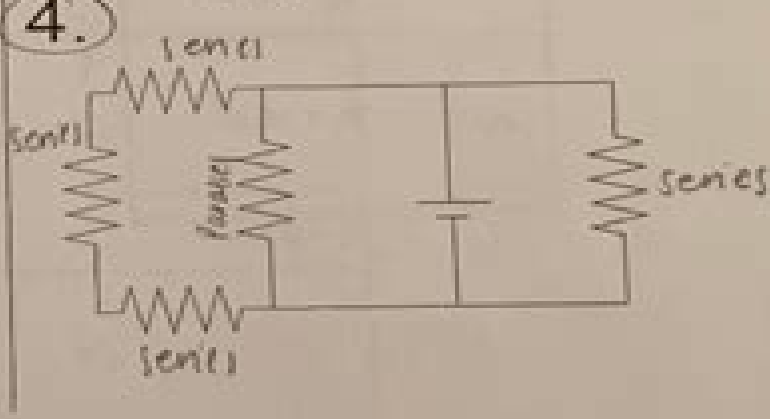
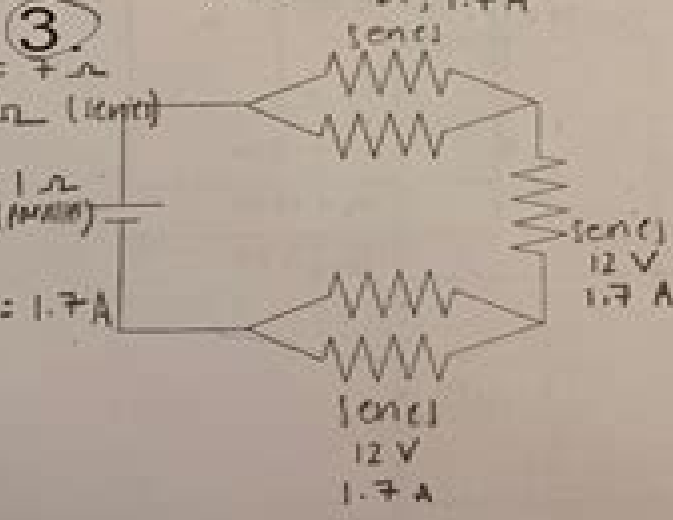
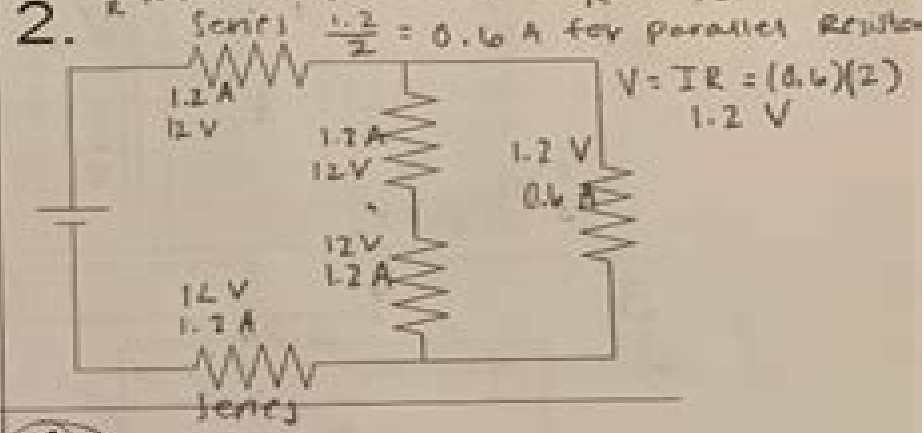
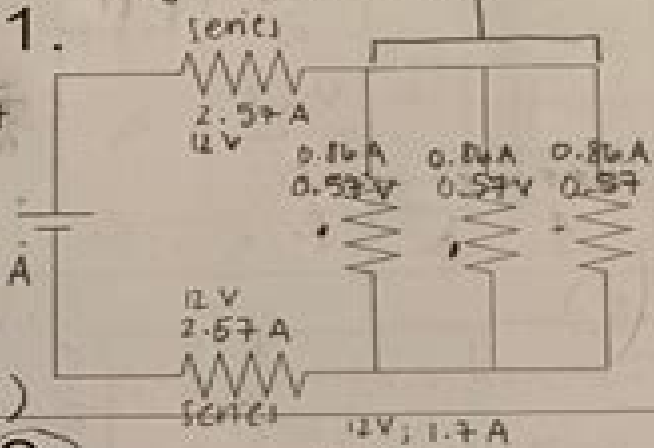
$$\text{Total } R = 6 + 1 = 7 \Omega$$

$$2 + 2 + 2 = 6 \Omega (\text{series})$$

$$\frac{1}{2} + \frac{1}{2} = \frac{2}{2} = 1 \Omega (\text{parallel})$$

$$V = IR$$

$$I = \frac{V}{R} = \frac{12}{7} = 1.7 \text{ A}$$



Complex Circuit Problems And Solutions

JL Elias



Complex Circuit Problems And Solutions:

Electric Circuit Problems with Solutions F. A. Benson, 2012-12-06 Electrical engineering and electronic engineering students have frequently to resolve and simplify quite complex circuits in order to understand them or to obtain numerical results and a sound knowledge of basic circuit theory is therefore essential The author is very much in favour of tutorials and the solving of problems as a method of education Experience shows that many engineering students encounter difficulties when they first apply their theoretical knowledge to practical problems Over a period of about twenty years the author has collected a large number of problems on electric circuits while giving lectures to students attending the first two post intermediate years of University engineering courses The purpose of this book is to present these problems a total of 365 together with many solutions some problems with answers given at the end of each Chapter are left as student exercises in the hope that they will prove of value to other teachers and students Solutions are separated from the problems so that they will not be seen by accident The answer is given at the end of each problem however for convenience Parts of the book are based on the author's previous work *Electrical Engineering Problems with Solutions* which was published in 1954

Electric Circuit Problems with Solutions F. A. Benson, 1975-04-24 Electrical engineering and electronic engineering students have frequently to resolve and simplify quite complex circuits in order to understand them or to obtain numerical results and a sound knowledge of basic circuit theory is therefore essential The author is very much in favour of tutorials and the solving of problems as a method of education Experience shows that many engineering students encounter difficulties when they first apply their theoretical knowledge to practical problems Over a period of about twenty years the author has collected a large number of problems on electric circuits while giving lectures to students attending the first two post intermediate years of University engineering courses The purpose of this book is to present these problems a total of 365 together with many solutions some problems with answers given at the end of each Chapter are left as student exercises in the hope that they will prove of value to other teachers and students Solutions are separated from the problems so that they will not be seen by accident The answer is given at the end of each problem however for convenience Parts of the book are based on the author's previous work *Electrical Engineering Problems with Solutions*, which was published in 1954

Practical Synthesis of High-Performance Analog Circuits Emil S. Ochotta, Tamal Mukherjee, Rob A. Rutenbar, L. Richard Carley, 2012-12-06 *Practical Synthesis of High Performance Analog Circuits* presents a technique for automating the design of analog circuits Market competition and the astounding pace of technological innovation exert tremendous pressure on circuit design engineers to turn ideas into products quickly and get them to market In digital Application Specific Integrated Circuit ASIC design computer aided design CAD tools have substantially eased this pressure by automating many of the laborious steps in the design process thereby allowing the designer to maximise his design expertise But the world is not solely digital Cellular telephones magnetic disk drives neural networks and speech recognition systems are a few of the

recent technological innovations that rely on a core of analog circuitry and exploit the density and performance of mixed analog digital ASICs To maximize profit these mixed signal ASICs must also make it to market as quickly as possible However although the engineer working on the digital portion of the ASIC can rely on sophisticated CAD tools to automate much of the design process there is little help for the engineer working on the analog portion of the chip With the exception of simulators to verify the circuit design when it is complete there are almost no general purpose CAD tools that an analog design engineer can take advantage of to automate the analog design flow and reduce his time to market Practical Synthesis of High Performance Analog Circuits presents a new variation tolerant analog synthesis strategy that is a significant step towards ending the wait for a practical analog synthesis tool A new synthesis strategy is presented that can fully automate the path from a circuit topology and performance specifications to a sized variation tolerant circuit schematic This strategy relies on asymptotic waveform evaluation to predict circuit performance and simulated annealing to solve a novel non linear infinite programming optimization formulation of the circuit synthesis problem via a sequence of smaller optimization problems Practical Synthesis of High Performance Analog Circuits will be of interest to analog circuit designers CAD EDA industry professionals academics and students **University of Colorado Catalogue** University of Colorado,1929 Bulletin University of Colorado Boulder,1928 *Electric Circuit Problems* Frank Atkinson Benson,1967 *Numerical Methods for Nonlinear Engineering Models* John R. Hauser,2009-03-24 There are many books on the use of numerical methods for solving engineering problems and for modeling of engineering artifacts In addition there are many styles of such presentations ranging from books with a major emphasis on theory to books with an emphasis on applications The purpose of this book is hopefully to present a somewhat different approach to the use of numerical methods for engineering applications Engineering models are in general nonlinear models where the response of some appropriate engineering variable depends in a nonlinear manner on the plication of some independent parameter It is certainly true that for many types of engineering models it is sufficient to approximate the real physical world by some linear model However when engineering environments are pushed to treme conditions nonlinear effects are always encountered It is also such treme conditions that are of major importance in determining the reliability or failure limits of engineering systems Hence it is essential than engineers have a toolbox of modeling techniques that can be used to model nonlinear engineering systems Such a set of basic numerical methods is the topic of this book For each subject area treated nonlinear models are incorporated into the discussion from the very beginning and linear models are simply treated as special cases of more general nonlinear models This is a basic and fundamental difference in this book from most books on numerical methods *Proceedings of the Twenty-Third Annual Conference of the Cognitive Science Society* Johanna D. Moore,Keith Stenning,2001 Vol includes all papers and posters presented at 2001 Cog Sci Mtg summaries of symposia invited addresses Deals w issues of repres model g cog processes Appeals to scholars in subdisciplines that comprise Cog Sci Psych Computr Sci Neuro Lin *Catalogue Number* University

of Colorado,1930 A Top-down Design Solution for Improved Testability in High Performance Circuits and Systems
Huoy-Yu Liou,1995 **New Technical Books** ,1926 Electronic Circuits David Paul Casasent,1973 **Electrical World**
,1928 **Fundamentals of Circuits, Electronics, and Signal Analysis** Kendall Ling-chiao Su,1978 Evolvable
Systems: From Biology to Hardware Gregory S. Hornby,Lukas Sekanina,Pauline C. Haddow,2008-09-28 This book constitutes
the refereed proceedings of the 8th International Conference on Evolvable Systems ICES 2008 held in Prague Czech
Republic in September 2008 The 28 revised full papers and 14 revised poster papers presented were carefully reviewed and
selected from 52 submissions The papers are organized in topical sections on evolution of analog circuits evolution of digital
circuits hardware software codesign and platforms for adaptive systems evolutionary robotics development real world
applications evolutionary networking evolvable artificial neural networks and transistor level circuit evolution

Fundamental Principles of Electric and Magnetic Circuits Fred Alan Fish,1928 **Special Report** Great Britain.
Radio Research Board,1929 **Free Night School of Engineering** Cooper Union for the Advancement of Science and Art.
School of Engineering,1928 *The Analysis and Design of Linear Circuits* Roland E. Thomas,Albert J. Rosa,Gregory J.
Toussaint,2020-07-15 While most texts focus on how and why electric circuits work *The Analysis and Design of Linear*
Circuits taps into engineering students desire to explore create and put their learning into practice Students from across
disciplines will gain a practical in depth understanding of the fundamental principles underlying so much of modern everyday
technology Early focus on the analysis design and evaluation of electric circuits promotes the development of design intuition
by allowing students to test their designs in the context of real world constraints and practical situations This updated Ninth
Edition features an emphasis on the use of computer software including Excel MATLAB and Multisim building a real world
problem solving style that reflects that of practicing engineers Software skills are integrated with examples and exercises
throughout the text and coverage of circuit design and evaluation frequency response mutual inductance ac power circuits
and other central topics has been revised for clarity and ease of understanding With an overarching goal of instilling smart
judgement surrounding design problems and innovative solutions this unique text provides inspiration and motivation
alongside an essential knowledge base **On Growth, Form and Computers** Sanjeev Kumar,Peter J. Bentley,2003-10-03
Conceived for both computer scientists and biologists alike this collection of 22 essays highlights the important new role that
computers play in developmental biology research Essays show how through computer modeling researchers gain further
insight into developmental processes Featured essays also cover their use in designing computer algorithms to tackle
computer science problems in areas like neural network design robot control evolvable hardware and more Peter Bentley
noted for his prolific research on evolutionary computation and Sanjeev Kumar head up a respected team to guide readers
through these very complex and fascinating disciplines Covers both developmental biology and computational development
the only book of its kind Provides introductory material and more detailed information on BOTH disciplines Includes

contributions from Richard Dawkins Lewis Wolpert Ian Stewart and many other experts

Unveiling the Energy of Verbal Artistry: An Psychological Sojourn through **Complex Circuit Problems And Solutions**

In some sort of inundated with displays and the cacophony of immediate conversation, the profound power and emotional resonance of verbal beauty often fade into obscurity, eclipsed by the constant assault of sound and distractions. However, situated within the lyrical pages of **Complex Circuit Problems And Solutions**, a captivating function of literary splendor that pulses with natural feelings, lies an remarkable trip waiting to be embarked upon. Written with a virtuoso wordsmith, this mesmerizing opus books visitors on an emotional odyssey, softly revealing the latent potential and profound impact stuck within the delicate web of language. Within the heart-wrenching expanse of the evocative evaluation, we can embark upon an introspective exploration of the book is key themes, dissect its interesting writing fashion, and immerse ourselves in the indelible impression it leaves upon the depths of readers souls.

https://py.bijouxmedusa.com/data/book-search/index.jsp/new_english_file_upper_intermediate_teachers_book_with_test_and_assessment_six_level_general_english_course_for_adults.pdf

Table of Contents Complex Circuit Problems And Solutions

1. Understanding the eBook Complex Circuit Problems And Solutions
 - The Rise of Digital Reading Complex Circuit Problems And Solutions
 - Advantages of eBooks Over Traditional Books
2. Identifying Complex Circuit Problems And Solutions
 - Exploring Different Genres
 - Considering Fiction vs. Non-Fiction
 - Determining Your Reading Goals
3. Choosing the Right eBook Platform
 - Popular eBook Platforms
 - Features to Look for in an Complex Circuit Problems And Solutions
 - User-Friendly Interface
4. Exploring eBook Recommendations from Complex Circuit Problems And Solutions

- Personalized Recommendations
 - Complex Circuit Problems And Solutions User Reviews and Ratings
 - Complex Circuit Problems And Solutions and Bestseller Lists
5. Accessing Complex Circuit Problems And Solutions Free and Paid eBooks
 - Complex Circuit Problems And Solutions Public Domain eBooks
 - Complex Circuit Problems And Solutions eBook Subscription Services
 - Complex Circuit Problems And Solutions Budget-Friendly Options
 6. Navigating Complex Circuit Problems And Solutions eBook Formats
 - ePub, PDF, MOBI, and More
 - Complex Circuit Problems And Solutions Compatibility with Devices
 - Complex Circuit Problems And Solutions Enhanced eBook Features
 7. Enhancing Your Reading Experience
 - Adjustable Fonts and Text Sizes of Complex Circuit Problems And Solutions
 - Highlighting and Note-Taking Complex Circuit Problems And Solutions
 - Interactive Elements Complex Circuit Problems And Solutions
 8. Staying Engaged with Complex Circuit Problems And Solutions
 - Joining Online Reading Communities
 - Participating in Virtual Book Clubs
 - Following Authors and Publishers Complex Circuit Problems And Solutions
 9. Balancing eBooks and Physical Books Complex Circuit Problems And Solutions
 - Benefits of a Digital Library
 - Creating a Diverse Reading Collection Complex Circuit Problems And Solutions
 10. Overcoming Reading Challenges
 - Dealing with Digital Eye Strain
 - Minimizing Distractions
 - Managing Screen Time
 11. Cultivating a Reading Routine Complex Circuit Problems And Solutions
 - Setting Reading Goals Complex Circuit Problems And Solutions
 - Carving Out Dedicated Reading Time
 12. Sourcing Reliable Information of Complex Circuit Problems And Solutions

- Fact-Checking eBook Content of Complex Circuit Problems And Solutions
 - Distinguishing Credible Sources
13. Promoting Lifelong Learning
- Utilizing eBooks for Skill Development
 - Exploring Educational eBooks
14. Embracing eBook Trends
- Integration of Multimedia Elements
 - Interactive and Gamified eBooks

Complex Circuit Problems And Solutions Introduction

Free PDF Books and Manuals for Download: Unlocking Knowledge at Your Fingertips In today's fast-paced digital age, obtaining valuable knowledge has become easier than ever. Thanks to the internet, a vast array of books and manuals are now available for free download in PDF format. Whether you are a student, professional, or simply an avid reader, this treasure trove of downloadable resources offers a wealth of information, conveniently accessible anytime, anywhere. The advent of online libraries and platforms dedicated to sharing knowledge has revolutionized the way we consume information. No longer confined to physical libraries or bookstores, readers can now access an extensive collection of digital books and manuals with just a few clicks. These resources, available in PDF, Microsoft Word, and PowerPoint formats, cater to a wide range of interests, including literature, technology, science, history, and much more. One notable platform where you can explore and download free Complex Circuit Problems And Solutions PDF books and manuals is the internet's largest free library. Hosted online, this catalog compiles a vast assortment of documents, making it a veritable goldmine of knowledge. With its easy-to-use website interface and customizable PDF generator, this platform offers a user-friendly experience, allowing individuals to effortlessly navigate and access the information they seek. The availability of free PDF books and manuals on this platform demonstrates its commitment to democratizing education and empowering individuals with the tools needed to succeed in their chosen fields. It allows anyone, regardless of their background or financial limitations, to expand their horizons and gain insights from experts in various disciplines. One of the most significant advantages of downloading PDF books and manuals lies in their portability. Unlike physical copies, digital books can be stored and carried on a single device, such as a tablet or smartphone, saving valuable space and weight. This convenience makes it possible for readers to have their entire library at their fingertips, whether they are commuting, traveling, or simply enjoying a lazy afternoon at home. Additionally, digital files are easily searchable, enabling readers to locate specific information within seconds. With a few keystrokes, users can search for keywords, topics, or phrases, making research and finding relevant

information a breeze. This efficiency saves time and effort, streamlining the learning process and allowing individuals to focus on extracting the information they need. Furthermore, the availability of free PDF books and manuals fosters a culture of continuous learning. By removing financial barriers, more people can access educational resources and pursue lifelong learning, contributing to personal growth and professional development. This democratization of knowledge promotes intellectual curiosity and empowers individuals to become lifelong learners, promoting progress and innovation in various fields. It is worth noting that while accessing free Complex Circuit Problems And Solutions PDF books and manuals is convenient and cost-effective, it is vital to respect copyright laws and intellectual property rights. Platforms offering free downloads often operate within legal boundaries, ensuring that the materials they provide are either in the public domain or authorized for distribution. By adhering to copyright laws, users can enjoy the benefits of free access to knowledge while supporting the authors and publishers who make these resources available. In conclusion, the availability of Complex Circuit Problems And Solutions free PDF books and manuals for download has revolutionized the way we access and consume knowledge. With just a few clicks, individuals can explore a vast collection of resources across different disciplines, all free of charge. This accessibility empowers individuals to become lifelong learners, contributing to personal growth, professional development, and the advancement of society as a whole. So why not unlock a world of knowledge today? Start exploring the vast sea of free PDF books and manuals waiting to be discovered right at your fingertips.

FAQs About Complex Circuit Problems And Solutions Books

How do I know which eBook platform is the best for me? Finding the best eBook platform depends on your reading preferences and device compatibility. Research different platforms, read user reviews, and explore their features before making a choice. Are free eBooks of good quality? Yes, many reputable platforms offer high-quality free eBooks, including classics and public domain works. However, make sure to verify the source to ensure the eBook credibility. Can I read eBooks without an eReader? Absolutely! Most eBook platforms offer web-based readers or mobile apps that allow you to read eBooks on your computer, tablet, or smartphone. How do I avoid digital eye strain while reading eBooks? To prevent digital eye strain, take regular breaks, adjust the font size and background color, and ensure proper lighting while reading eBooks. What the advantage of interactive eBooks? Interactive eBooks incorporate multimedia elements, quizzes, and activities, enhancing the reader engagement and providing a more immersive learning experience. Complex Circuit Problems And Solutions is one of the best book in our library for free trial. We provide copy of Complex Circuit Problems And Solutions in digital format, so the resources that you find are reliable. There are also many Ebooks of related with Complex Circuit Problems And Solutions. Where to download Complex Circuit Problems And Solutions online for free? Are you looking for

Complex Circuit Problems And Solutions PDF? This is definitely going to save you time and cash in something you should think about.

Find Complex Circuit Problems And Solutions :

new english file upper intermediate teachers book with test and assessment six level general english course for adults

multinational business finance 12th edition pearson

natops flight manual

modern dc to dc switchmode power converter circuits van nostrand reinhold electricalcomputer science and engineering series

network management mibs and mpls principles design and implementation by morris stephen b prentice hall2003 paperback

msc second year zoology notes

moral system of islam

modern marketing research 2nd edition by feinberg

mpsc rto result 2017 amvi mains cut off marks

necropolis the gatekeepers 4 anthony horowitz tshall

moon river jazz piano sheet music

national spelling bee district pronouncer guide

nama nama ibu negara di dunia penerangan

new century physics worked solutions

nelson grade 12 biology answers

Complex Circuit Problems And Solutions :

pdf analisa harga satuan pekerjaan beton bertulang - Jul 22 2022

web oct 31 2019 selisih biaya total pekerjaan beton bertulang pada kolom balok dan pelat lantai kedua metode ini adalah sebesar rp 1 972 412 528 penggunaan estimasi biaya pihak kontraktor dengan menggunakan

analisa pekerjaan jalan dan saluran partukang - Oct 05 2023

web dalam saluran 30 cm pek pasangan batu bata 1 4 0 7 m² pek plesteran 1 4 0 9 m² buis beton 1 2 dia 30 cm 1 bh urugan tanah kembali 0 25 m³ 2 pek sal buis beton 1 2 dia 30 m pek galian tanah 0 15 m³ dengan pas bata merah pek urugan pasir

0 025 m3 dalam saluran 15 cm pek pasangan batu bata 1 4 0 4 m2 pek
metode pelaksanaan pekerjaan saluran drainase beton dokumen - Aug 03 2023

web berikut saya uraikan metode pelaksanaan pekerjaan saluran atau drainase beton baca juga dan download gratis usulan teknis ustek pengawasan untuk konsultan contoh laporan struktur bangunan gedung lengkap download pdf contoh form laporan harian proyek download langsung metode pelaksanaan pekerjaan gedung struktur bertingkat
analisis harga satuan pekerjaan saluran drainase menggunakan beton - Jun 01 2023

web berdasarkan dari analisis koefisien tenaga kerja pemasangan saluran drainase menggunakan beton precast u ditch per m adalah untuk pekerja sebesar 0 0762 untuk tukang batu 0 0464 untuk kepala tukang batu 0 0464 dan untuk mandor 0 0099 sedangkan koefisien tenaga kerja pada pemasangan saluran drainase menggunakan
pdf analisis harga satuan pekerjaan saluran - Nov 25 2022

web awal pdf analisis harga satuan pekerjaan saluran of 9 analisis harga satuan pekerjaan saluran drainase menggunakan beton precast u ditch dan buis beton u tugas akhir oleh i gede andre suputra nim 1204105010 jurusan teknik sipil fakultas teknik universitas udayana 2016 analisis harga

rab ahsp pek beton bertulang analisa harga satuan pekerjaan - Dec 27 2022

web langkah 2 analisa harga satuan pekerjaan pembuatan beton pembesian dan bekisting buatlah analisa harga satuan pekerjaan dasar atau basic yang akan digunakan untuk membentuk analisa harga satuan pekerjaan dari elemen struktur beton bertulang

analisa harga satuan pekerjaan saluran u ditch beton precast - Sep 04 2023

web nov 30 2022 paling tidak terdapat 4 keunggulan penggunaan u ditch sebagai saluran air antara lain praktis hanya perlu melakukan pekerjaan tanah seperti galian dan urugn cor lantai kerja dan pemasangan saluran lebih mudah dan cepat untuk menyelesaikan pekerjaan saluran kuat dan tidak mudah patah

analisa harga satuan pekerjaan beton bertulang - Mar 18 2022

web hasil analisa biaya pekerjaan beton bertulang pada kolom balok dan pelat lantai sesuai dengan analisa pihak kontraktor dengan menggunakan metoda budgeted cost of work performed didasarkan pada

analisa pekerjaan beton saluran download only - Mar 30 2023

web analisa pekerjaan beton saluran kegiatan perlindungan dan pembinaan peninggalan sejarah dan purbakala aug 05 2022 koefisien pedoman analisa harga satuan pekerjaan ahsp bidang umum apr 13 2023

analisa pekerjaan beton saluran esource svb com - Sep 23 2022

web analisa pekerjaan beton saluran 3 3 satuan pekerjaan saluran drainase menggunakan beton precast u ditch dan buis beton u tugas akhir oleh i gede andre suputra nim 1204105010 jurusan teknik sipil fakultas teknik universitas udayana

2016 analisis harga satuan pekerjaan saluran drainase

analisa harga satuan bina marga blogger - Feb 26 2023

web apr 17 2016 jumlah harga pekerjaan divisi 1 masuk pada rekapitulasi perkiraan harga pekerjaan divisi 2 drainase 2 1 1 galian untuk selokan drainase dan saluran air m3 2 2 1 pemasangan batu dengan mortar m3 2 3 1 gorong gorong pipa beton bertulang lg butuh analisa penyediaan tiang pancang beton pratekan pracetak

analisa buis beton pdf 2nv8oor75olk documents and e books - May 20 2022

web analisa buis beton pdf 2nv8oor75olk idocpub home current daftar analisa sni harga satuan pekerjaan analisa biaya konstruksi pekerjaan persiapan sni 01 2 6 1 1 m² membersihkan lapangan dengan peralatan tenaga 0 oh oh oh oh pekerja tukang batu kepala tukang batu mandor 1 m pemasangan saluran

analisa pekerjaan beton saluran cyberlab sutd edu sg - Oct 25 2022

web analisa pekerjaan beton saluran pengantar bisnis jasa pelaksana konstruksi oct 18 2022 jurnal harga satuan bahan bangunan konstruksi dan interior edisi 40 2021 feb 16 2020 buku informasi harga satuan bahan bangunan di

cara analisa harga pekerjaan saluran u ditch - Apr 30 2023

web dec 2 2018 cara analisa harga pekerjaan saluran u ditch salah satunya type aliran air luar bangunan yang seringkali dipakai ialah aliran air beton precast berupa u atau seringkali dimaksud dengan u ditch aliran u ditch ada yang dilewatkan terbuka demikian saja tapi ada pula yang tertutup diperlengkapi dengan tutup u ditch dari beton

analisis harga satuan pekerjaan saluran drainase menggunakan beton - Jun 20 2022

web tontonan transkripsi 1 analisis harga satuan pekerjaan saluran drainase menggunakan beton precast u ditch dan buis beton u tugas akhir oleh i gede andre suputra nim jurusan teknik sipil fakultas teknik universitas udayana 2016 2 lembar pernyataan yang bertanda tangan dibawah ini nama

analisa pekerjaan beton saluran esource svb com - Feb 14 2022

web 8 analisa pekerjaan beton saluran 2022 04 12 more than people admire it will lead to know more than the people staring at you even now there are many sources to learning reading a tape yet becomes the first unconventional as a great way

analisa pekerjaan beton saluran electionsdev calmatters organalisis harga satuan pekerjaan ahsp

analisa harga satuan pekerjaan bekisting beton sesuai format - Apr 18 2022

web jan 29 2021 pada kesempatan ini kami akan berbagi analisa harga satuan pekerjaan bekisting beton sesuai format sni dan permen pupr untuk beberapa macam jenis kontruksi beton yang sering digunakan pada proyek konstruksi koefisien yang digunakan sudah sesuai dengan ketentuan dalam sni

analisa harga satuan pekerjaan beton sesuai format sni dan - Jul 02 2023

web nov 29 2020 rumahmaterial com pada kesempatan ini kami akan berbagi analisa harga satuan pekerjaan beton sesuai

format sni dan permen pupr untuk beberapa mutu beton yang sering digunakan pada proyek konstruksi koefisien yang digunakan sudah sesuai dengan ketentuan dalam sni

analisis harga satuan pekerjaan saluran drainase menggunakan beton - Jan 28 2023

web analisis harga satuan pekerjaan saluran drainase menggunakan beton precast u ditch dan buis beton u tugas akhir oleh i gede andre suputra nim 1204105010 jurusan teknik sipil tabel 4 5 perhitungan masing masing koefisien analisa tenaga kerja 47 tabel 4 6 perhitungan masing masing

analisa harga satuan pekerjaan beton bertulang indojava - Aug 23 2022

web may 4 2021 pada analisa sni untuk pekerjaan beton analisa yang ada adalah analisa yang berdasarkan kg berat besi seperti pembuatan 1m3 kolom beton bertulang 150 kg pembuatan 1m3 sloof beton bertulang 200 kg atau analisa kolom dan ring balk praktis baik dalam satuan m3 maupun m lalu bagaimana kita tahu analisa mana yang digunakan

elementary biology vol 1 for class 11 perfect - Oct 24 2021

trueman s elementary biology vol amazon ae - Oct 04 2022

web elementary biology vol ii for class 12 examination 2023 2024 paperback 1 january 2023 by m p tyagi k n bhatia author 4 4 4 out of 5 stars 1 342 ratings

trueman s elementary biology a complete text book - Jul 13 2023

web elementary biology vol i for class 11 examination 2023 2024 m p tyagi k n bhatia amazon in books books

[trueman s elementary biology volume 1 book online z library](#) - Dec 06 2022

web mar 1 2021 trueman s elementary biology vol 1 for class 11 examination 2020 2021 paperback 1 march 2021 by m p tyagi k n bhatia author 4 5 4 5 out of 5

trueman s elementary biology for class xii neet new 2020 - Apr 29 2022

web trueman s elementary biology volume 1 rated 4 67 out of 5 based on 3 customer ratings 3 customer reviews 875 00 549 00 by m p tyagi k n bhatia author

trueman s biology pdf vol 1 and vol 2 for class 11 and 12 - Nov 05 2022

web trueman s elementary biology volume 2 print replica kindle edition by k n bhatia m p tyagi author format kindle edition 4 4 4 out of 5 stars 1 330 ratings

[trueman s elementary biology volume 2 ebook amazon in](#) - Sep 03 2022

web trueman s elementary biology volume 2 for class 12 examination 2020 2021 this textbook of biology published by trueman book company is certainly of great help for

elementary biology vol ii for class 12 examination 2023 2024 - Aug 02 2022

web trueman s elementary biology vol 2 for class 12 examination 2020 2021 paperback m p tyagi k n bhatia 5 0 out of 5 stars
[trueman s elementary biology volume 1 amazon in](#) - Feb 08 2023

web discover trueman s elementary biology volume 1 book an intriguing read explore trueman s elementary biology volume 1 in z library and find free summary reviews

trueman elementary biology for neet class xi xii amazon in - Jul 01 2022

web trueman s elementary biology for xii neet is like a best friend you need to help you
trueman s elementary biology vol i ii combo paperback - Jan 27 2022

web if you direct to download and install the trueman elementary biology it is enormously simple then in the past currently we extend the link to purchase and make bargains to

trueman s elementary biology volume 1 snatch books - Feb 25 2022

web trueman s elementary biology vol i for class xi publisher trueman publication product code 9788189301361 author s m p tyagi k n bhatia edition 2023 published

ebook trueman s elementary biology vol 2 for class 12 - Sep 22 2021

[elementary biology vol i for class 11 examination](#) - May 11 2023

web trueman s elementary biology for class 11 and neet vol 1 9788187223788 amazon com books

trueman s elementary biology google books - Jun 12 2023

web trueman s elementary biology a complete textbook for xi class of 10 2 and various compitative examinations v 1 authors b l taneja k n bhatia edition 16

[trueman s elementary biology google books](#) - Apr 10 2023

web amazon in buy trueman s elementary biology volume 1 book online at best prices in india on amazon in read trueman s elementary biology volume 1 book reviews

trueman s elementary biology pdf androbose - Aug 14 2023

web trueman s elementary biology a complete text book for class xii of 10 2 and various competitive examinations v2 author k n bhatia edition 23 publisher trueman

trueman elementary biology book pdf free download - Jan 07 2023

web oct 21 2021 features of trueman s biology book chapters in trueman s elementary biology book reproduction genetics and evolution biology and human welfare

[trueman s elementary biology for class 11 and neet vol 1](#) - Mar 09 2023

web oct 25 2021 trueman elementary biology class 11 pdf is an in depth and complete e book on elementary biology written

rehna chahiye in hindi ❏ ❏ ❏❏ ❏ ❏ ❏❏ ❏ ❏❏ ❏ ❏❏ ❏

bahut mota lamba land dekha pdf 2023 - Apr 02 2023

web may 26 2023 *bahut mota lamba land dekha pdf* eventually you will extremely discover a supplementary experience and finishing by spending more cash yet when accomplish you tolerate that you require to get those every needs as soon as having significantly

İstanbul da en İyi 11 Çıtır lahmacun mekanı nefis yemek tarifleri - Jan 19 2022

web 4 Öz kilis lahmacun ve kebab salonu fatih 5 beşiktaş Çıtır pide lahmacun salonu beşiktaş 6 gaziantepi mehmet usta fatih 7 kilisli Ömer usta ataşehir 8 borsam taşfırın kadıköy 9 eyvan taş fırın kebab kadıköy 10 kadıköy ruhha kadıköy

bahut mota lamba land dekha pdf full pdf media daruma co - Mar 01 2023

web *bahut mota lamba land dekha pdf* pages 2 13 *bahut mota lamba land dekha pdf* upload dona g hayda 2 13 downloaded from media daruma co id on august 31 2023 by dona g hayda barhopping with judy holliday and jane bowles among others

bahut mota lamba land dekha pdf - Jun 04 2023

web *bahut mota lamba land dekha* downloaded from 2013 thecontemporaryaustin org by guest colon isabel how to make people like you in 90 seconds or less disha publications

bahut mota lamba land dekha pdf growguatemala org - Jul 25 2022

web may 19 2023 *bahut mota lamba land dekha pdf* as recognized adventure as capably as experience nearly lesson amusement as with ease as understanding can be gotten by just checking out a book *bahut mota lamba land dekha pdf* furthermore it is not

download free bahut mota lamba land dekha domainlookup org - Jul 05 2023

web apr 5 2023 *bahut mota lamba land dekha* this is likewise one of the factors by obtaining the soft documents of this *bahut mota lamba land dekha* by online you might not require more time to spend to go to the book start as skillfully as search for them in

❏ ❏ **lund** ❏❏ ❏❏❏ ❏ ❏❏ ❏ ❏❏ ❏ - May 23 2022

web mar 27 2018 ❏ ❏ ❏❏ ❏❏❏ ❏ ❏❏ ❏ lund bada karne ke liye purush ko yaniki mard ladke ko apne lund ki dekhbal karne ki jarurat hai male ka lund ko purush ka ling aisa bolte hai lund bada karne ke tarike kai sare hai jinme se apko humne ling ko bada aur ling ko

bahut mota lamba land dekha full pdf cyberlab sutd edu sg - Nov 28 2022

web *bahut mota lamba land dekha* district census handbook series 18 rajasthan banswara apr 19 2023 amnesia lead to a wrong love jan 04 2022 a car accident the one she loved the most he had lost his memory she only remembered the face of the

