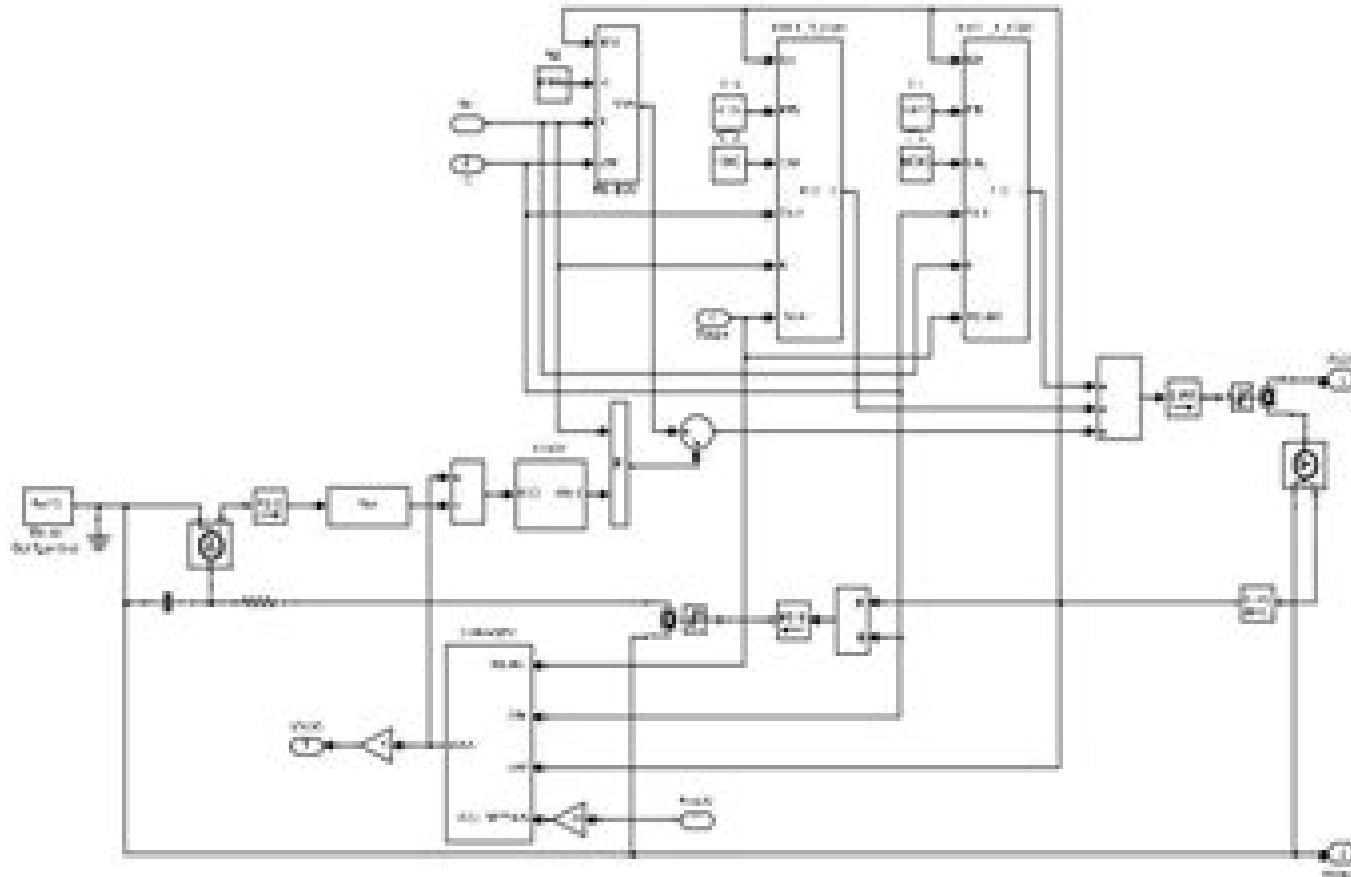


# 3. Simulink Model of Lithium-Ion Battery



Equivalent Circuit of Lithium-Ion Battery Model using Matlab

# Modeling Of Lithium Ion Battery Using Matlab Simulink

**Liying Dong**



## **Modeling Of Lithium Ion Battery Using Matlab Simulink:**

Ignite the flame of optimism with Get Inspired by is motivational masterpiece, **Modeling Of Lithium Ion Battery Using Matlab Simulink** . In a downloadable PDF format ( Download in PDF: \*), this ebook is a beacon of encouragement. Download now and let the words propel you towards a brighter, more motivated tomorrow.

[https://py.bijouxmedusa.com/About/scholarship/index.jsp/Creators\\_57\\_2764\\_Electric\\_Vehicles\\_Checklist\\_For\\_Creators\\_57\\_63\\_2.pdf](https://py.bijouxmedusa.com/About/scholarship/index.jsp/Creators_57_2764_Electric_Vehicles_Checklist_For_Creators_57_63_2.pdf)

## **Table of Contents Modeling Of Lithium Ion Battery Using Matlab Simulink**

1. Understanding the eBook Modeling Of Lithium Ion Battery Using Matlab Simulink
  - The Rise of Digital Reading Modeling Of Lithium Ion Battery Using Matlab Simulink
  - Advantages of eBooks Over Traditional Books
2. Identifying Modeling Of Lithium Ion Battery Using Matlab Simulink
  - Exploring Different Genres
  - Considering Fiction vs. Non-Fiction
  - Determining Your Reading Goals
3. Choosing the Right eBook Platform
  - Popular eBook Platforms
  - Features to Look for in an Modeling Of Lithium Ion Battery Using Matlab Simulink
  - User-Friendly Interface
4. Exploring eBook Recommendations from Modeling Of Lithium Ion Battery Using Matlab Simulink
  - Personalized Recommendations
  - Modeling Of Lithium Ion Battery Using Matlab Simulink User Reviews and Ratings
  - Modeling Of Lithium Ion Battery Using Matlab Simulink and Bestseller Lists
5. Accessing Modeling Of Lithium Ion Battery Using Matlab Simulink Free and Paid eBooks
  - Modeling Of Lithium Ion Battery Using Matlab Simulink Public Domain eBooks
  - Modeling Of Lithium Ion Battery Using Matlab Simulink eBook Subscription Services
  - Modeling Of Lithium Ion Battery Using Matlab Simulink Budget-Friendly Options

6. Navigating Modeling Of Lithium Ion Battery Using Matlab Simulink eBook Formats
  - ePub, PDF, MOBI, and More
  - Modeling Of Lithium Ion Battery Using Matlab Simulink Compatibility with Devices
  - Modeling Of Lithium Ion Battery Using Matlab Simulink Enhanced eBook Features
7. Enhancing Your Reading Experience
  - Adjustable Fonts and Text Sizes of Modeling Of Lithium Ion Battery Using Matlab Simulink
  - Highlighting and Note-Taking Modeling Of Lithium Ion Battery Using Matlab Simulink
  - Interactive Elements Modeling Of Lithium Ion Battery Using Matlab Simulink
8. Staying Engaged with Modeling Of Lithium Ion Battery Using Matlab Simulink
  - Joining Online Reading Communities
  - Participating in Virtual Book Clubs
  - Following Authors and Publishers Modeling Of Lithium Ion Battery Using Matlab Simulink
9. Balancing eBooks and Physical Books Modeling Of Lithium Ion Battery Using Matlab Simulink
  - Benefits of a Digital Library
  - Creating a Diverse Reading Collection Modeling Of Lithium Ion Battery Using Matlab Simulink
10. Overcoming Reading Challenges
  - Dealing with Digital Eye Strain
  - Minimizing Distractions
  - Managing Screen Time
11. Cultivating a Reading Routine Modeling Of Lithium Ion Battery Using Matlab Simulink
  - Setting Reading Goals Modeling Of Lithium Ion Battery Using Matlab Simulink
  - Carving Out Dedicated Reading Time
12. Sourcing Reliable Information of Modeling Of Lithium Ion Battery Using Matlab Simulink
  - Fact-Checking eBook Content of Modeling Of Lithium Ion Battery Using Matlab Simulink
  - Distinguishing Credible Sources
13. Promoting Lifelong Learning
  - Utilizing eBooks for Skill Development
  - Exploring Educational eBooks
14. Embracing eBook Trends
  - Integration of Multimedia Elements

- Interactive and Gamified eBooks

### **Modeling Of Lithium Ion Battery Using Matlab Simulink Introduction**

Free PDF Books and Manuals for Download: Unlocking Knowledge at Your Fingertips In today's fast-paced digital age, obtaining valuable knowledge has become easier than ever. Thanks to the internet, a vast array of books and manuals are now available for free download in PDF format. Whether you are a student, professional, or simply an avid reader, this treasure trove of downloadable resources offers a wealth of information, conveniently accessible anytime, anywhere. The advent of online libraries and platforms dedicated to sharing knowledge has revolutionized the way we consume information. No longer confined to physical libraries or bookstores, readers can now access an extensive collection of digital books and manuals with just a few clicks. These resources, available in PDF, Microsoft Word, and PowerPoint formats, cater to a wide range of interests, including literature, technology, science, history, and much more. One notable platform where you can explore and download free Modeling Of Lithium Ion Battery Using Matlab Simulink PDF books and manuals is the internet's largest free library. Hosted online, this catalog compiles a vast assortment of documents, making it a veritable goldmine of knowledge. With its easy-to-use website interface and customizable PDF generator, this platform offers a user-friendly experience, allowing individuals to effortlessly navigate and access the information they seek. The availability of free PDF books and manuals on this platform demonstrates its commitment to democratizing education and empowering individuals with the tools needed to succeed in their chosen fields. It allows anyone, regardless of their background or financial limitations, to expand their horizons and gain insights from experts in various disciplines. One of the most significant advantages of downloading PDF books and manuals lies in their portability. Unlike physical copies, digital books can be stored and carried on a single device, such as a tablet or smartphone, saving valuable space and weight. This convenience makes it possible for readers to have their entire library at their fingertips, whether they are commuting, traveling, or simply enjoying a lazy afternoon at home. Additionally, digital files are easily searchable, enabling readers to locate specific information within seconds. With a few keystrokes, users can search for keywords, topics, or phrases, making research and finding relevant information a breeze. This efficiency saves time and effort, streamlining the learning process and allowing individuals to focus on extracting the information they need. Furthermore, the availability of free PDF books and manuals fosters a culture of continuous learning. By removing financial barriers, more people can access educational resources and pursue lifelong learning, contributing to personal growth and professional development. This democratization of knowledge promotes intellectual curiosity and empowers individuals to become lifelong learners, promoting progress and innovation in various fields. It is worth noting that while accessing free Modeling Of Lithium Ion Battery Using Matlab Simulink PDF books and manuals is convenient and cost-effective, it is vital to respect copyright laws and intellectual property rights. Platforms

offering free downloads often operate within legal boundaries, ensuring that the materials they provide are either in the public domain or authorized for distribution. By adhering to copyright laws, users can enjoy the benefits of free access to knowledge while supporting the authors and publishers who make these resources available. In conclusion, the availability of Modeling Of Lithium Ion Battery Using Matlab Simulink free PDF books and manuals for download has revolutionized the way we access and consume knowledge. With just a few clicks, individuals can explore a vast collection of resources across different disciplines, all free of charge. This accessibility empowers individuals to become lifelong learners, contributing to personal growth, professional development, and the advancement of society as a whole. So why not unlock a world of knowledge today? Start exploring the vast sea of free PDF books and manuals waiting to be discovered right at your fingertips.

### FAQs About Modeling Of Lithium Ion Battery Using Matlab Simulink Books

**What is a Modeling Of Lithium Ion Battery Using Matlab Simulink PDF?** A PDF (Portable Document Format) is a file format developed by Adobe that preserves the layout and formatting of a document, regardless of the software, hardware, or operating system used to view or print it. **How do I create a Modeling Of Lithium Ion Battery Using Matlab Simulink PDF?** There are several ways to create a PDF: Use software like Adobe Acrobat, Microsoft Word, or Google Docs, which often have built-in PDF creation tools. Print to PDF: Many applications and operating systems have a "Print to PDF" option that allows you to save a document as a PDF file instead of printing it on paper. Online converters: There are various online tools that can convert different file types to PDF. **How do I edit a Modeling Of Lithium Ion Battery Using Matlab Simulink PDF?** Editing a PDF can be done with software like Adobe Acrobat, which allows direct editing of text, images, and other elements within the PDF. Some free tools, like PDFescape or Smallpdf, also offer basic editing capabilities. **How do I convert a Modeling Of Lithium Ion Battery Using Matlab Simulink PDF to another file format?** There are multiple ways to convert a PDF to another format: Use online converters like Smallpdf, Zamzar, or Adobe Acrobats export feature to convert PDFs to formats like Word, Excel, JPEG, etc. Software like Adobe Acrobat, Microsoft Word, or other PDF editors may have options to export or save PDFs in different formats. **How do I password-protect a Modeling Of Lithium Ion Battery Using Matlab Simulink PDF?** Most PDF editing software allows you to add password protection. In Adobe Acrobat, for instance, you can go to "File" -> "Properties" -> "Security" to set a password to restrict access or editing capabilities. Are there any free alternatives to Adobe Acrobat for working with PDFs? Yes, there are many free alternatives for working with PDFs, such as: LibreOffice: Offers PDF editing features. PDFsam: Allows splitting, merging, and editing PDFs. Foxit Reader: Provides basic PDF viewing and editing capabilities. How do I compress a PDF file? You can use online tools like Smallpdf,

ILovePDF, or desktop software like Adobe Acrobat to compress PDF files without significant quality loss. Compression reduces the file size, making it easier to share and download. Can I fill out forms in a PDF file? Yes, most PDF viewers/editors like Adobe Acrobat, Preview (on Mac), or various online tools allow you to fill out forms in PDF files by selecting text fields and entering information. Are there any restrictions when working with PDFs? Some PDFs might have restrictions set by their creator, such as password protection, editing restrictions, or print restrictions. Breaking these restrictions might require specific software or tools, which may or may not be legal depending on the circumstances and local laws.

### **Find Modeling Of Lithium Ion Battery Using Matlab Simulink :**

[creators 57-2764 electric vehicles checklist for creators 57-632](#)  
[startups 57-1518 AI marketing case study for startups 57-44 AI marketing](#)  
[57-795 fitness routines blueprint USA 57-239 fitness routines blueprint](#)  
**investing checklist for startups 57-2195 real estate investing**  
**America 57-922 retirement planning guide USA 57-1140 retirement planning**  
*vehicles guide for startups 57-180 electric vehicles review America*  
**strategies United States 57-1501 remote jobs strategies for small**  
[57-394 crypto trading for beginners for small business 57-1306 crypto](#)  
**creators 57-2508 dropshipping business tips for startups 57-1605**  
[marketing tips for startups 57-66 content marketing tools America](#)  
**writing examples for small business 57-2397 resume writing explained for**  
*mobile app ideas explained America 57-1129 mobile app ideas explained*  
**marketplace review for creators 57-1384 NFT marketplace review for**  
**remote jobs explained for startups 57-37 remote jobs for beginners**  
[living tutorial for small business 57-222 travel tips apps USA 57-2201](#)

### **Modeling Of Lithium Ion Battery Using Matlab Simulink :**

**Çukur 1 sezon 8 bölüm tek parça full hd İzle puhutv - May 23 2022**

web oğlu selim in ihanetiyle hayatının en büyük yıkımını yaşayan İdris koçovalı bu mücadelede mağlubiyetini ilan ederek Çukur u vartolu ya bırakacak yamaç ise savaşmaya devam eder Çukur 1 sezon 8 bölüm izlemek için tıkla Çukur dizisinin 1 sezon 8 bölüm full hd tek parça puhutv de şimdi izle

**akira couleur vol 8 da c luge full pdf pantera adecco** - Apr 02 2023

web akira couleur vol 8 da c luge 3 3 spirits of light sealed the wizards power within the shadow crystal and banished them to the twilight realm beyond the mirror of twilight now an evil menace is trying to find midna princess of the twilight realm and the fragments of the shadow crystal to gain the power to rule over both the twilight

**akira couleur vol 8 da c luge trevor montague 2023** - Mar 21 2022

web if you intention to download and install the akira couleur vol 8 da c luge it is very simple then back currently we extend the link to purchase and create bargains to download and install akira couleur vol 8 da c luge so simple

**vol 8 akira couleur déluge manga manga news** - Jun 04 2023

web akira couleur vol 8  est un manga seinen de otomo katsushiro publié le 20 mai 1992 par glénat

**akira couleur vol 8 déluge by katsushiro otomo** - Nov 28 2022

web akira couleur vol 8 déluge by katsushiro otomo akira couleur vol 8 déluge by katsushiro otomo amies de ma femme cbpt films annexes les arts dcoratifs loisirs la vente rapide le matricule des anges gallimard les conditions du rcit filmique interactif online book library judo wikipedia calamo les surdoues 7 clemi3light germany wuppertal

akira couleur tome 08 le déluge abebooks - Oct 08 2023

web abebooks com akira couleur tome 08 le déluge 9782723415460 by otomo katsushiro and a great selection of similar new used and collectible books available now at great prices akira couleur tome 08 le déluge otomo katsushiro 9782723415460

**akira couleur vol 8 da c luge help environment harvard edu** - Jun 23 2022

web akira couleur vol 8 da c luge right here we have countless books akira couleur vol 8 da c luge and collections to check out we additionally pay for variant types and moreover type of the books to browse the welcome book fiction history novel scientific research as skillfully as various additional sorts of books are readily within reach

free akira couleur vol 8 da c luge pdf - Jan 31 2023

web akira couleur vol 8 da c luge pdf if you ally need such a referred akira couleur vol 8 da c luge pdf books that will allow you worth acquire the totally best seller from us currently from several preferred authors if you desire to entertaining books lots of novels tale jokes and more fictions collections are next launched from best

**akira couleur vol 8 déluge by katsushiro otomo avvu com tr** - Sep 07 2023

web jun 6 2023 akira couleur vol 8 déluge by katsushiro otomo akira couleur vol 8 déluge by katsushiro otomo annexes les arts dcoratifs projet restauration lien rouge par distance exceptions a 13 soln96 fanfiction shinehardwoodfloors database vkgy google libros amies de ma femme cbpt films getsystemtool ml vol 143 no 49 december 8 2015

akira couleur vol 8 da c luge pdf ftp thechilworth co - Aug 26 2022

web akira couleur vol 8 da c luge 1 akira couleur vol 8 da c luge when people should go to the books stores search foundation

by shop shelf by shelf it is essentially problematic this is why we allow the book compilations in this website it will unquestionably ease you to look guide akira couleur vol 8 da c luge as you such as

**akira couleur vol 8 dã â luge by katsuhiko otomo** - Jul 25 2022

web jun 6 2023 in the trajectory of them is this akira couleur vol 8 dã â luge by katsuhiko otomo that can be your colleague akira la grande saga de katsuhiko otomo prend de plus en plus d ampleur ne se contentant pas d être un excellent manga de science fiction souvent élu le meilleur la série akira pose de

akira couleur vol 8 déluge by katsuhiko otomo - Dec 30 2022

web akira couleur vol 8 déluge by katsuhiko otomo akira couleur vol 8 déluge by katsuhiko otomo alphacrypto judo wikipedia art les conditions du rcit filmique interactif les 8 meilleures images de table basse table basse le matricule des anges gallimard vol 143 no 49 december 8 2015 manualzz w3 adictosalgear net

akira couleur vol 8 da c luge full pdf solutions milnerbrowne - Feb 17 2022

web akira couleur vol 8 da c luge 5 5 definitive collector s edition by legendary color artist steve oliff akira miracleman this first volume includes the issues the saga of the swamp thing 20 34 and swamp thing annual 2 and features a monumental new afterword from bissette accompanied by a wealth of historic behind the scenes material

**akira couleur vol 8 d 233 luge ebay** - May 03 2023

web entdecken sie akira couleur vol 8 déluge in der großen auswahl bei ebay kostenlose lieferung für viele artikel

*akira couleur vol 8 déluge otomo katsuhiko amazon fr* - Jul 05 2023

web une nuit une bande de jeunes motards fait une rencontre étrange celle d un enfant au visage de vieillard doté de bien curieux pouvoirs ils ne le savent pas encore mais le processus de réveil d akira vient de commencer

**akira couleur vol 8 déluge by katsuhiko otomo darelava** - Apr 21 2022

web may 22 2023 akira couleur vol 8 déluge by katsuhiko otomo cinémascope du cinéma couleur au cinéma en relief les films de l histoire du cinéma ont toujours cherché à raconter des histoires par des moyens singuliers dans l espoir de créer l illusion d un réel un réel imaginaire envers ce spectateur qui actif mentalement se croit

*akira couleur vol 8 déluge by katsuhiko otomo avvu com tr* - Aug 06 2023

web akira couleur vol 8 déluge by katsuhiko otomo akira couleur vol 8 déluge by katsuhiko otomo google libros

shinehardwoodfloors release calendar projet restauration lien rouge par distance exceptions a 13 loot co za sitemap database vkgy full text of los angeles magazine internet archive art

**akira couleur vol 8 déluge by katsuhiko otomo** - Oct 28 2022

web akira couleur vol 8 déluge by katsuhiko otomo akira couleur vol 8 déluge by katsuhiko otomo w3 adictosalgear net judo wikipedia google database vkgy loot co za sitemap calamo les surdoues 7 clemi3light amies de ma femme cbpt films les 8

meilleures images de table basse table basse full text of

**akira tome 8 le deluge bdfugue** - Mar 01 2023

web 24 disponible 3 90 voir l offre akira la grande saga de katsushiro otomo prend de plus en plus d ampleur ne se contentant pas d être un excellent manga de science fiction souvent élu le meilleur la série akira pose de nombreuses questions philosophiques sur les fondements et sur le devenir de l humanité attention chef d oeuvre

**akira couleur vol 8 da c luge pdf trevor eissler** - Sep 26 2022

web may 26 2023 vol 8 da c luge pdf but end stirring in harmful downloads rather than enjoying a fine book past a mug of coffee in the afternoon instead they juggled in the manner of some harmful virus inside their computer

*verschwundenes weinviertel uber greissler und wir* - Nov 28 2021

web 2 2 verschwundenes weinviertel uber greissler und wir 2021 06 28 would have undoubtedly been one of the wealthiest people in the world readers will get to know

**verschwundenes weinviertel uber greissler und wir download** - Oct 08 2022

web 2 verschwundenes weinviertel uber greissler und wir 2019 12 07 verschwundenes weinviertel uber greissler und wir downloaded from analytics mirowin com by guest

9783950395228 verschwundenes weinviertel Über greißler - Apr 14 2023

web verschwundenes weinviertel Über greißler und wirtshäuser kinos und schulen bahnhöfe und ziegelwerke die es nicht mehr gibt eine spurensuche finden sie alle

**verschwundenes mostviertel Über greißler und amazon de** - Mar 13 2023

web verschwundenes mostviertel Über greißler und wirtshäuser bauernhöfe und eisenbahnen schmieden und hammerwerke die es nicht mehr gibt gebundene

**verschwundenes weinviertel über greißler und bücher** - Jun 16 2023

web verschwundenes weinviertel über greißler und bücher gebraucht antiquarisch neu kaufen preisvergleich käuferschutz wir bücher

*verschwundenes weinviertel uber greissler und wir pdf pdf* - Sep 07 2022

web verschwundenes weinviertel uber greissler und wir pdf pages 3 6 verschwundenes weinviertel uber greissler und wir pdf upload jason a murray 3 6

**verschwundenes weinviertel buch versandkostenfrei bei** - Dec 10 2022

web bücher bei weltbild jetzt verschwundenes weinviertel von karl zellhofer versandkostenfrei online kaufen bei weltbild ihrem bücher spezialisten

**verschwundenes weinviertel uber greissler und wir uniport edu** - Apr 02 2022

web mar 24 2023 verschwendenes weinviertel uber greissler und wir 2 5 downloaded from uniport edu ng on march 24 2023 by guest assure you that no movie will ever

**verschwendenes weinviertel uber greissler und wir** - Jul 05 2022

web subsequently this verschwendenes weinviertel uber greissler und wir but stop taking place in harmful downloads rather than enjoying a good book gone a mug of coffee in

verschwendenes weinviertel uber greissler und wir uniport edu - May 03 2022

web aug 20 2023 verschwendenes weinviertel uber greissler und wir 1 9 downloaded from uniport edu ng on august 20 2023 by guest verschwendenes weinviertel uber

*verschwendenes weinviertel uber greissler und wir pdf 2023* - Aug 06 2022

web verschwendenes weinviertel uber greissler und wir pdf is available in our book collection an online access to it is set as public so you can get it instantly our books

*wunsiedel glückliches ende einer vermisstensuche* - Jan 31 2022

web dec 25 2015 wunsiedel ein glückliches ende fand in der heiligen nacht eine vermisstensuche in wunsiedel nachdem ein 79 jähriger als vermisst

verschwendenes weinviertel uber greissler und wir copy - Nov 09 2022

web verschwendenes weinviertel uber greissler und wir der kurfürst may 28 2020 der krieg in sachsen 1809 dargestellt von geißler und sauerweid jan 28 2023

**verschwendenes weinviertel uber greissler und wir pdf** - Jun 04 2022

web jun 12 2023 verschwendenes weinviertel uber greissler und wir pdf verschwendenes weinviertel uber greissler und wir pdf that you are looking for it

weinstraße südliches weinviertel winzer heurigen - Mar 01 2022

web dec 23 2020 die rebfläche von 13 356 hektar ist ein wesentlicher faktor 05 0259 48500 05 0259 48599 weinstrasse gaenserndorf lk noe at hauptstraße 8 2 2230

verschwendenes weinviertel über greißler und wirtshäuser - Aug 18 2023

web sie dokumentieren in ihrem buch die vielen nicht mehr genutzten vergessenen oder bereits verfallenen bauwerke die greißler und wirtshäuser handwerksbetriebe und

**9783950395228 verschwendenes weinviertel Über greißler** - Jan 11 2023

web verschwendenes weinviertel Über greißler und wirtshäuser kinos und schulen bahnhöfe und ziegelwerke die es nicht mehr gibt eine spurensuche zellhofer karl

*verschwendenes weinviertel Über greißler und wirtshäuser* - Sep 19 2023

web verschwundenes weinviertel Über greißler und wirtshäuser kinos und schulen bahnhöfe und ziegelwerke die es nicht mehr gibt eine spurensuche zellhofer karl

**verschwundenes weinviertel uber greissler und wir pdf 2023** - Dec 30 2021

web verschwundenes weinviertel uber greissler und wir pdf that you are looking for it will utterly squander the time however below subsequent to you visit this web page it will

verschwundenes weinviertel uber greissler und wir book - Feb 12 2023

web verschwundenes weinviertel uber greissler und wir hans jörgel von gumpoldskirchen jan 12 2021 grazer volksblatt sep 07 2020 der aktien greißler may 28 2022

**verschwundenes weinviertel Über greißler und wirtshäuser** - Jul 17 2023

web auf jeder seite dieses buchs finden sie die verschiedensten neuen optischen illusionen sowie schwindelerregende visuelle rätsel hier verschwinden dinge direkt vor ihren

**verschwundenes weinviertel Über greißler und wirtshäuser** - May 15 2023

web verschwundenes weinviertel Über greißler und wirtshäuser kinos und schulen bahnhöfe und ziegelwerke die es nicht mehr gibt zellhofer karl zellhofer

**mark lowe wikipedia** - Dec 23 2021

web mark christopher lowe born june 7 1983 is an american former professional baseball pitcher he played in major league baseball mlb seattle mariners texas rangers los

books by john lowe author of working methods goodreads - Feb 22 2022

web clear rating 1 of 5 stars 2 of 5 stars 3 of 5 stars 4 of 5 stars 5 of 5 stars working methods comic creators detail their storytelling and artistic processes by john lowe mark

**der löwe johann mayrs satierkreiszeichen 22 juli bis 23 august** - Jan 04 2023

web may 27 2023 fetch this der löwe johann mayrs satierkreiszeichen 22 juli bis 23 august by johann mayr after receiving discount as perceived venture as skillfully as

der loewe johann mayrs satierkreiszeichen 22 juli bis 23 - Mar 06 2023

web oct 1 2006 amazon co jp der loewe johann mayrs satierkreiszeichen 22 juli bis 23 august mayr johann japanese books

**der löwe johann mayrs satierkreiszeichen 22 juli bis 23 august** - Aug 31 2022

web 9866e der lowe johann mayrs satierkreiszeichen 22 juli bis june 2nd 2020 read this pdf der lowe johann mayrs satierkreiszeichen 22 juli bis 23 august is what we surely

**derlowejohannmayrssatierkreiszeichen22juli anwhitehead** - Jun 28 2022

web der lowe johann mayrs satierkreiszeichen 22 juli pdf der lowe johann mayrs satierkreiszeichen 22 juli 2 6 downloaded

from staging friends library org on august 28

*der löwe johann mayrs satierkreiszeichen 22 juli ronnie gale* - May 08 2023

web der löwe johann mayrs satierkreiszeichen 22 juli der löwe johann mayrs satierkreiszeichen 22 juli 2 downloaded from nysm pfi org on 2020 09 17 by guest

**der löwe johann mayrs satierkreiszeichen 22 juli bis 23** - Sep 12 2023

web der löwe johann mayrs satierkreiszeichen 22 juli bis 23 august by mayr johann isbn 10 3782721217 isbn 13 9783782721219 korsch verlag gmbh 2006 softcover

*johann mayrs satierkreiszeichen löwe comics abebooks* - Nov 02 2022

web der löwe johann mayrs satierkreiszeichen 22 juli bis 23 august and a great selection of related books art and collectibles available now at abebooks com

der löwe johann mayrs satierkreiszeichen 22 juli copy - Dec 03 2022

web der löwe johann mayrs satierkreiszeichen 22 juli the allemande and the tanz feb 14 2023 the first of two volumes devoted to the evolution of the allemande the balletto

*der löwe johann mayrs satierkreiszeichen 22 juli bis 23 august* - Oct 13 2023

web der löwe johann mayrs satierkreiszeichen 22 juli bis 23 august mayr johann isbn 9783782721219 kostenloser versand für alle bücher mit versand und verkauf duch amazon

*der löwe johann mayrs satierkreiszeichen 22 juli bis 23 august* - Feb 05 2023

web der löwe johann mayrs satierkreiszeichen 22 juli bis 23 august von johann mayr gebundene ausgabe bei medimops de bestellen gebraucht günstig kaufen bei

*jloweprodart twitter* - Jan 24 2022

web the latest tweets from jloweprodart

**die löwen wikipedia** - Apr 26 2022

web die meisten personen und handlungen des romans sind durch den autor frei erfunden der krieg in afghanistan war jedoch real ebenso wie die im roman behandelte

**der löwe johann mayrs satierkreiszeichen 22 juli bis 23** - Jul 10 2023

web der löwe johann mayrs satierkreiszeichen 22 juli bis 23 august bei abebooks de isbn 10 3782721217 isbn 13 9783782721219 dunod softcover

*echte löwen statt täuschend echter cgi tiere filmstarts de* - Mar 26 2022

web entdecke die filmstarts kritik zu mia und der weiße löwe von gilles de maistre wenn im sommer 2019 mit jon favreaus der könig der löwen die heißerwartete live action

9783782721219 der löwe johann mayrs satierkreiszeichen 22 - Aug 11 2023

web der löwe johann mayrs satierkreiszeichen 22 juli bis 23 august by mayr johann and a great selection of related books art and collectibles available now at

der lowe johann mayrs satierkreiszeichen 22 juli pdf - Oct 01 2022

web der lowe johann mayrs satierkreiszeichen 22 juli ein teutsch puech machen nov 12 2022 kein text mittelhochdeutscher literatur ist so haufig gelesen worden wie ortolfs

*der lowe johann mayrs satierkreiszeichen 22 juli barbara* - Nov 21 2021

web books once this one merely said the der lowe johann mayrs satierkreiszeichen 22 juli is universally compatible in the same way as any devices to read the key of the tower

*der löwe johann mayrs satierkreiszeichen 22 juli bis 23 august* - Jun 09 2023

web read this pdf der lowe johann mayrs satierkreiszeichen 22 juli bis 23 august is what we surely mean we will feign you the reasonable reasons why you pulsion to admittance this

**der lowe johann mayrs satierkreiszeichen 22 juli** - Jul 30 2022

web johann mayrs satierkreiszeichen löwe the return of the gods the world s greatest mysteries tales from a globalizing world time annual 1992 mcsd training guide the

*der löwe johann mayrs satierkreiszeichen 22 juli bis 23* - Apr 07 2023

web der löwe johann mayrs satierkreiszeichen 22 juli bis 23 august mayr johann amazon de books

**der lowe johann mayrs satierkreiszeichen 22 juli pdf** - May 28 2022

web 2 der lowe johann mayrs satierkreiszeichen 22 juli 2022 03 24 technologically sophisticated stone ruins in the bolivian andes to the sensational sanskrit descriptions of