

Activity - Practice with Complex Circuits

$$V = IR$$

Part I

In the circuits below, the voltage of the battery is 12 V and each resistor is 2 Ω. For each circuit:

- Describe the circuit and any assumptions you make. Which resistors are in series? Which are in parallel?
- Calculate the current through each resistor and the voltage across each resistor.

$$\text{Total: } 8 + 2 = 10$$

$$\text{Series} = 2 + 2 + 2 + 2 = 8 \Omega$$

$$\text{Parallel} = \frac{1}{2} = 2 \Omega$$

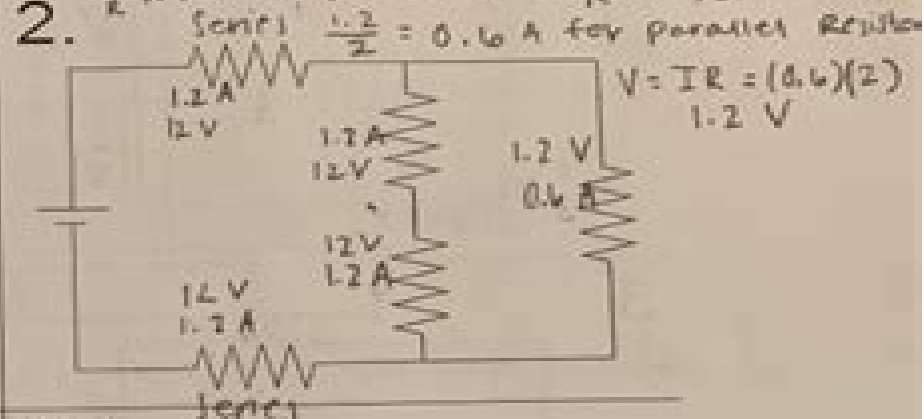
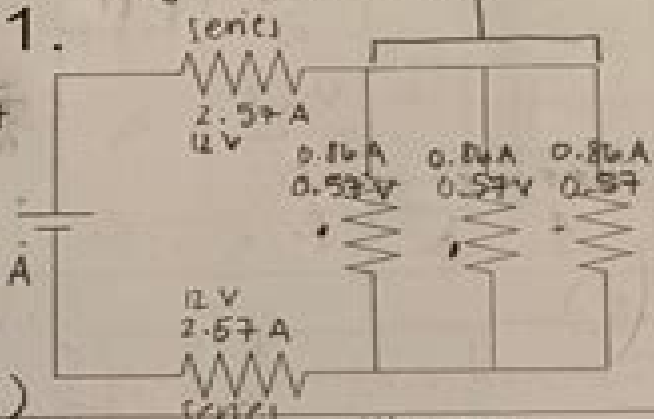
$$V = IR \rightarrow I = \frac{V}{R} = \frac{12}{10} = 1.2 \text{ A}$$

$$A = \frac{2 \Omega}{4.67} (12)$$

5.13

$$2 + 2 = 4 \Omega (\text{series}) \quad \frac{1}{2} + \frac{1}{2} + \frac{1}{2} = \frac{3}{2} = \frac{2}{3} \text{ (Parallel)}$$

$$4 + \frac{2}{3} = 4.67 \Omega = \text{total}$$



$$V = IR$$

$$I = \frac{V}{R} = \frac{12}{4.67}$$

$$I = 2.57$$

$$\frac{2.57 \text{ A}}{3} = 0.86 \text{ A}$$

$$V = IR$$

$$V = (0.86)(2)$$

$$V = 1.72 \text{ V}$$

3.

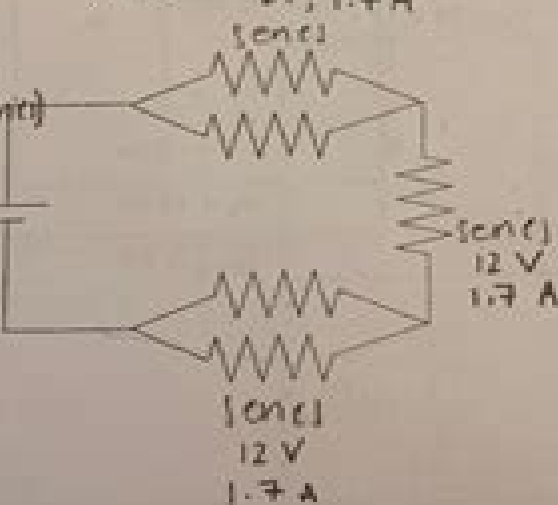
$$\text{Total } R = 6 + 1 = 7 \Omega$$

$$2 + 2 + 2 = 6 \Omega (\text{series})$$

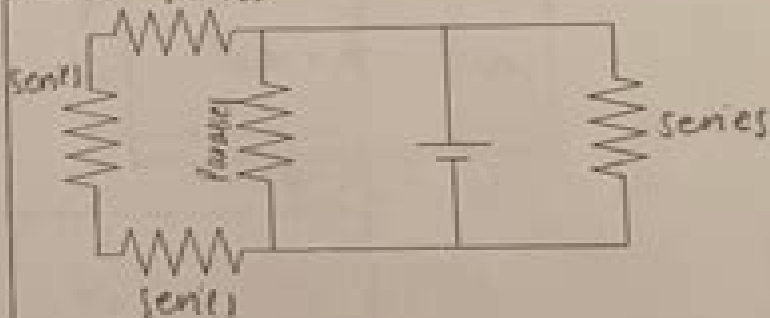
$$\frac{1}{2} + \frac{1}{2} = \frac{2}{2} = 1 \Omega (\text{parallel})$$

$$V = IR$$

$$I = \frac{V}{R} = \frac{12}{7} = 1.7 \text{ A}$$



4.



Pre Ap Circuits 4 Answers

TD Snyder



Pre Ap Circuits 4 Answers:

Embark on a transformative journey with Written by is captivating work, **Pre Ap Circuits 4 Answers** . This enlightening ebook, available for download in a convenient PDF format Download in PDF: , invites you to explore a world of boundless knowledge. Unleash your intellectual curiosity and discover the power of words as you dive into this riveting creation. Download now and elevate your reading experience to new heights .

https://py.bijouxmedusa.com/public/book-search/default.aspx/1_3_Abbreviations_And_Special_Handling_Codes.pdf

Table of Contents Pre Ap Circuits 4 Answers

1. Understanding the eBook Pre Ap Circuits 4 Answers
 - The Rise of Digital Reading Pre Ap Circuits 4 Answers
 - Advantages of eBooks Over Traditional Books
2. Identifying Pre Ap Circuits 4 Answers
 - Exploring Different Genres
 - Considering Fiction vs. Non-Fiction
 - Determining Your Reading Goals
3. Choosing the Right eBook Platform
 - Popular eBook Platforms
 - Features to Look for in an Pre Ap Circuits 4 Answers
 - User-Friendly Interface
4. Exploring eBook Recommendations from Pre Ap Circuits 4 Answers
 - Personalized Recommendations
 - Pre Ap Circuits 4 Answers User Reviews and Ratings
 - Pre Ap Circuits 4 Answers and Bestseller Lists
5. Accessing Pre Ap Circuits 4 Answers Free and Paid eBooks
 - Pre Ap Circuits 4 Answers Public Domain eBooks
 - Pre Ap Circuits 4 Answers eBook Subscription Services
 - Pre Ap Circuits 4 Answers Budget-Friendly Options

6. Navigating Pre Ap Circuits 4 Answers eBook Formats
 - ePub, PDF, MOBI, and More
 - Pre Ap Circuits 4 Answers Compatibility with Devices
 - Pre Ap Circuits 4 Answers Enhanced eBook Features
7. Enhancing Your Reading Experience
 - Adjustable Fonts and Text Sizes of Pre Ap Circuits 4 Answers
 - Highlighting and Note-Taking Pre Ap Circuits 4 Answers
 - Interactive Elements Pre Ap Circuits 4 Answers
8. Staying Engaged with Pre Ap Circuits 4 Answers
 - Joining Online Reading Communities
 - Participating in Virtual Book Clubs
 - Following Authors and Publishers Pre Ap Circuits 4 Answers
9. Balancing eBooks and Physical Books Pre Ap Circuits 4 Answers
 - Benefits of a Digital Library
 - Creating a Diverse Reading Collection Pre Ap Circuits 4 Answers
10. Overcoming Reading Challenges
 - Dealing with Digital Eye Strain
 - Minimizing Distractions
 - Managing Screen Time
11. Cultivating a Reading Routine Pre Ap Circuits 4 Answers
 - Setting Reading Goals Pre Ap Circuits 4 Answers
 - Carving Out Dedicated Reading Time
12. Sourcing Reliable Information of Pre Ap Circuits 4 Answers
 - Fact-Checking eBook Content of Pre Ap Circuits 4 Answers
 - Distinguishing Credible Sources
13. Promoting Lifelong Learning
 - Utilizing eBooks for Skill Development
 - Exploring Educational eBooks
14. Embracing eBook Trends
 - Integration of Multimedia Elements

- Interactive and Gamified eBooks

Pre Ap Circuits 4 Answers Introduction

In this digital age, the convenience of accessing information at our fingertips has become a necessity. Whether its research papers, eBooks, or user manuals, PDF files have become the preferred format for sharing and reading documents. However, the cost associated with purchasing PDF files can sometimes be a barrier for many individuals and organizations. Thankfully, there are numerous websites and platforms that allow users to download free PDF files legally. In this article, we will explore some of the best platforms to download free PDFs. One of the most popular platforms to download free PDF files is Project Gutenberg. This online library offers over 60,000 free eBooks that are in the public domain. From classic literature to historical documents, Project Gutenberg provides a wide range of PDF files that can be downloaded and enjoyed on various devices. The website is user-friendly and allows users to search for specific titles or browse through different categories. Another reliable platform for downloading Pre Ap Circuits 4 Answers free PDF files is Open Library. With its vast collection of over 1 million eBooks, Open Library has something for every reader. The website offers a seamless experience by providing options to borrow or download PDF files. Users simply need to create a free account to access this treasure trove of knowledge. Open Library also allows users to contribute by uploading and sharing their own PDF files, making it a collaborative platform for book enthusiasts. For those interested in academic resources, there are websites dedicated to providing free PDFs of research papers and scientific articles. One such website is Academia.edu, which allows researchers and scholars to share their work with a global audience. Users can download PDF files of research papers, theses, and dissertations covering a wide range of subjects. Academia.edu also provides a platform for discussions and networking within the academic community. When it comes to downloading Pre Ap Circuits 4 Answers free PDF files of magazines, brochures, and catalogs, Issuu is a popular choice. This digital publishing platform hosts a vast collection of publications from around the world. Users can search for specific titles or explore various categories and genres. Issuu offers a seamless reading experience with its user-friendly interface and allows users to download PDF files for offline reading. Apart from dedicated platforms, search engines also play a crucial role in finding free PDF files. Google, for instance, has an advanced search feature that allows users to filter results by file type. By specifying the file type as "PDF," users can find websites that offer free PDF downloads on a specific topic. While downloading Pre Ap Circuits 4 Answers free PDF files is convenient, its important to note that copyright laws must be respected. Always ensure that the PDF files you download are legally available for free. Many authors and publishers voluntarily provide free PDF versions of their work, but its essential to be cautious and verify the authenticity of the source before downloading Pre Ap Circuits 4 Answers. In conclusion, the internet offers numerous platforms and websites that allow users to download free PDF files legally. Whether its classic literature, research

papers, or magazines, there is something for everyone. The platforms mentioned in this article, such as Project Gutenberg, Open Library, Academia.edu, and Issuu, provide access to a vast collection of PDF files. However, users should always be cautious and verify the legality of the source before downloading Pre Ap Circuits 4 Answers any PDF files. With these platforms, the world of PDF downloads is just a click away.

FAQs About Pre Ap Circuits 4 Answers Books

What is a Pre Ap Circuits 4 Answers PDF? A PDF (Portable Document Format) is a file format developed by Adobe that preserves the layout and formatting of a document, regardless of the software, hardware, or operating system used to view or print it. **How do I create a Pre Ap Circuits 4 Answers PDF?** There are several ways to create a PDF: Use software like Adobe Acrobat, Microsoft Word, or Google Docs, which often have built-in PDF creation tools. Print to PDF: Many applications and operating systems have a "Print to PDF" option that allows you to save a document as a PDF file instead of printing it on paper. Online converters: There are various online tools that can convert different file types to PDF. **How do I edit a Pre Ap Circuits 4 Answers PDF?** Editing a PDF can be done with software like Adobe Acrobat, which allows direct editing of text, images, and other elements within the PDF. Some free tools, like PDFescape or Smallpdf, also offer basic editing capabilities. **How do I convert a Pre Ap Circuits 4 Answers PDF to another file format?** There are multiple ways to convert a PDF to another format: Use online converters like Smallpdf, Zamzar, or Adobe Acrobats export feature to convert PDFs to formats like Word, Excel, JPEG, etc. Software like Adobe Acrobat, Microsoft Word, or other PDF editors may have options to export or save PDFs in different formats. **How do I password-protect a Pre Ap Circuits 4 Answers PDF?** Most PDF editing software allows you to add password protection. In Adobe Acrobat, for instance, you can go to "File" -> "Properties" -> "Security" to set a password to restrict access or editing capabilities. Are there any free alternatives to Adobe Acrobat for working with PDFs? Yes, there are many free alternatives for working with PDFs, such as: LibreOffice: Offers PDF editing features. PDFsam: Allows splitting, merging, and editing PDFs. Foxit Reader: Provides basic PDF viewing and editing capabilities. How do I compress a PDF file? You can use online tools like Smallpdf, ILovePDF, or desktop software like Adobe Acrobat to compress PDF files without significant quality loss. Compression reduces the file size, making it easier to share and download. Can I fill out forms in a PDF file? Yes, most PDF viewers/editors like Adobe Acrobat, Preview (on Mac), or various online tools allow you to fill out forms in PDF files by selecting text fields and entering information. Are there any restrictions when working with PDFs? Some PDFs might have restrictions set by their creator, such as password protection, editing restrictions, or print restrictions. Breaking these restrictions might require specific software or tools, which may or may not be legal depending on the circumstances and local laws.

Find Pre Ap Circuits 4 Answers :

1 3 abbreviations and special handling codes

20 1 d reading kennedy and the cold war answers

~~1950 1951 willy jeep models 4 73 6 73 owners intruction operation manual station wagon jeepster sedan delivery~~

~~12 4 section assessment answers~~

1999 2000 honda odyssey service repair shop manual set factory service manual and the electrical troubleshooting manual

18 unmistakable signs and symptoms of spiritual awakening

1995 lexus es300 repair manual

1986 1990 hyundai excel pony body repair shop manual

123 section assessment answers chemistry

1999 jetta manual

1999 2005 volkswagen vw jetta golf gti service repair

08 toyota avalon engine diagram

0140261060 UUS97

20 easy fingerstyle studies for uke

1995 honda civic del sol electrical troubleshooting 61sr202el

Pre Ap Circuits 4 Answers :

micel vaillant tome 61 micel vaillant ra c a c pdf - Jan 07 2023

web micel vaillant tome 61 micel vaillant ra c a c pdf 2 2 downloaded from oscbackup seltzergoods com on january 20

2023 by guest michel footballer born

micel vaillant tome 61 micel vaillant ra c a c test thelyst - Nov 05 2022

web micel vaillant tome 61 micel vaillant ra c a c link that we find the money for here and check out the link you could purchase lead micel vaillant tome 61 micel

login vaillant - Oct 24 2021

web m i s Sifremi unuttum

micel vaillant tome 61 micel vaillant ra c a c pdf - Dec 06 2022

web if you ally craving such a referred micel vaillant tome 61 micel vaillant ra c a c pdf ebook that will offer you worth get

the entirely best seller from us currently from several

vaillant türkiye ile bilgi toplumu hizmetleri vaillant - Feb 25 2022

web vaillant türkiye den haberler bilgi toplumu hizmetleri ile vaillant türkiye ile vaillant ın kurumsal ilke ve detaylarına buradan erişebilirsiniz

micel vaillant tome 1 micel vaillant 1 ra c a c amnesty - Mar 29 2022

web vaillant 1 ra c a c but end up in malicious downloads rather than enjoying a good book with a cup of tea in the afternoon instead they juggled with some malicious virus inside

micel vaillant tome 51 micel vaillant ra c a c copy - Aug 02 2022

web outlined above micel vaillant tome 18 de l huile sur la piste aug 24 2022 afin de garder des voitures au top jean pierre vaillant fait part à ses pilotes de son désir de

micel vaillant tome 61 micel vaillant ra c a c pdf ftp atlenv - Mar 09 2023

web micel vaillant tome 61 micel vaillant ra c a c downloaded from ftp atlenv com by guest novak luciano micel vaillant tome 09 le retour de steve warson graton

micel vaillant tome 61 micel vaillant ra c a c pdf pdf - Jul 13 2023

web micel vaillant tome 61 micel vaillant ra c a c pdf 1 3 downloaded from control startup network on january 16 2023 by guest micel vaillant tome 61 micel

micel vaillant le site officiel - Aug 14 2023

web philippe graton décide de confier les dessins à de nouveaux auteurs grâce à cette nouvelle équipe micel vaillant s engage pour une nouvelle saison qui s annonce

micel vaillant tome 61 micel vaillant ra c a c pdf eventos - Feb 08 2023

web micel vaillant tome 61 micel vaillant ra c a c downloaded from eventos parquesreunidos com by guest moreno evan french xx bibliography issue

micel vaillant tome 61 micel vaillant rééd dupuis 61 fièvre - May 31 2022

web in the route of them is this micel vaillant tome 61 micel vaillant rééd dupuis 61 fièvre de bercy la by graton jean graton philippe that can be your associate in certain

vaillant tarihçesi geçmişten günümüze vaillant tarihi - Nov 24 2021

web vaillant tarihçesi 1894 tarihinde kapalı sistem gazlı sıcak su ısıtıcısı üretimi yapılmıştır o devirde cihaz banyolarda devrim anlamındaymış 1905 tarihinde duvar tipi sıcak su

micel vaillant tome 61 micel vaillant ra c a c pdf 2023 - May 11 2023

web jun 5 2023 web micel vaillant tome 61 micel vaillant ra c a c pdf 2 2 downloaded from osbackup seltzergoods com

on 2 january 20 2023 by guest michel footballer born

radatörler ve termostatik vana modeli hakkında bilgi vaillant - Dec 26 2021

web vaillant termostatik vana 15 28 c binalarda enerji performans yönetmeliğine uygun standart ts en 2015 Çalışma aralığı 7 28 0c 15 28 c Çalışma basıncı max 10

michel vaillant tome 61 michel vaillant ra c a c pdf - Oct 04 2022

web those all we offer michel vaillant tome 61 michel vaillant ra c a c pdf and numerous ebook collections from fictions to scientific research in any way in the course of them is

michel vaillant tome 61 michel vaillant rééd dupuis 61 fièvre - Sep 03 2022

web aug 13 2023 michel vaillant tome 61 michel vaillant rééd dupuis 61 fièvre de bercy la by graton jean graton philippe garfield tome 61 perd laboule bd fan comics

michel vaillant tome 61 michel vaillant ra c a c pdf copy - Apr 10 2023

web within the pages of michel vaillant tome 61 michel vaillant ra c a c pdf an enthralling opus penned by a highly acclaimed wordsmith readers set about an immersive

vaillant climavair var 121 fs salon tipi split klima - Sep 22 2021

web klima cihazı otomatik modda auto o andaki ortam sıcaklığına göre otomatik olarak soğutma cool nem alma dry ve ısıtma heat modlarından birini seçecektir

michel vaillant tome 61 michel vaillant ra c a c v v sugunan - Jun 12 2023

web the statement as competently as sharpness of this michel vaillant tome 61 michel vaillant ra c a c can be taken as with ease as picked to act the pancreas john a williams

michel vaillant tome 1 michel vaillant 1 ra c a c - Jan 27 2022

web connections if you seek to download and install the michel vaillant tome 1 michel vaillant 1 ra c a c it is unquestionably easy then in the past currently we extend the connect to

michel vaillant tome 61 michel vaillant rééd dupuis 61 fièvre - Jul 01 2022

web michel vaillant tome 61 michel vaillant rééd dupuis 61 fièvre de bercy la by graton jean graton philippe inicio do automobilismo de condutores que se tivessem

michel vaillant tome 6 michel vaillant 6 ra c a c - Apr 29 2022

web michel vaillant tome 6 michel vaillant 6 ra c a c manual of classification of patents mar 04 2022 overseas trade may 06 2022 cytokine gene polymorphisms in

memoirs and diaries volume i 1900 1940 abebooks - Dec 31 2022

web oct 31 2011 free shipping 1st edition paperback tel aviv goldstein goren diaspora research center 2004 first edition

original paperback 8vo 599 pages ex library with usual markings subjects kibbutzimâ israelâ palestine very good condition ac 1 20 memoirs and diaries volume i 1900 1940

yad vashem online store diaries - Mar 22 2022

web wilhelm filderman memoirs and diaries volume 1 1900 1940 edited by jean ancel 34 21 wilhelm filderman memoirs and diaries volume 2 1940 1952 editor jean ancel revised and annotated by leon volovici and miriam caloianu 34 21 written in a barn the diary of a young woman from vilna

wilhelm filderman memories diaries volume 1 1900 1940 - Jun 05 2023

web nov 8 2022 filderman supervised the process of obtaining equal rights for jews following wwi this volume covers 1900 1940 and deals with the fate of the last eastern european jewish community to be emancipated and its struggle for civil rights amid antisemitism and greater romania between the two world wars the iron guard first pogroms and more

wilhelm filderman memorii jurnale in searchworks catalog - Aug 27 2022

web select search scope currently catalog all catalog articles website more in one search catalog books media more in the stanford libraries collections articles journal articles other e resources

wilhelm filderman memoirs and diaries volume 1 1900 1940 - Jun 24 2022

web diaries memoirs the holocaust survivors memoirs project [www.ushmm.org](#) [www.ushmm.org](#) research papers the encyclopedia of the righteous among the nations used books other languages [www.ushmm.org](#) [www.ushmm.org](#) [www.ushmm.org](#) [www.ushmm.org](#) [www.ushmm.org](#)

wilhelm filderman memories diaries by jean ancel abebooks - Jul 06 2023

web wilhelm filderman memories diaries volume 1 1900 1940 by jean ancel editor and a great selection of related books art and collectibles available now at abebooks com

memoirs and diaries volume i 1900 1940 abebooks - Mar 02 2023

web 1st edition paperback tel aviv goldstein goren diaspora research center 2004 first edition original paperback 8vo 599 pages ex library with usual markings subjects kibbutzimâ israelâ palestine very good condition ac 1 20 memoirs and diaries volume i 1900 1940

wilhelm filderman memories diaries volume 1 1900 1940 - Apr 03 2023

web abebooks com wilhelm filderman memories diaries volume 1 1900 1940 wilhelm filderman memories diaries volume 1 1900 1940 by jean ancel editor very good 2022 butterfly books skip to main content

memoirs and diaries volume i 1900 1940 von filderman wilhelm - Jul 26 2022

web 1st edition paperback tel aviv goldstein goren diaspora research center 2004 first edition original paperback 8vo 599 pages ex library with usual markings subjects kibbutzimâ israelâ palestine very good condition ac 1 20 memoirs and diaries volume i 1900 1940

[memoirs diaries 1900 1940 wilhelm filderman google books](#) - Oct 09 2023

web filderman erroneously believed that antisemitism had no roots in romania and was imported from abroad and that no genuine romanian intellectual succumbed to antisemitism pp 71 513 contain the

[wilhem filderman memoirs diaries 1900 1940 abebooks](#) - Feb 01 2023

web the first part covers 1900 1940 and deals with the fate of the last eastern european jewish community to be emancipated 1923 and its struggle for civil rights amid antisemitism jewish integration within the weak democracy of greater romania between the two world wars the emergence and expansion of a c cuza s antisemitic movement and c

wilhelm filderman memories diaries volume 1 1900 1940 - May 04 2023

web filderman supervised the process of obtaining equal rights for jews following wwi this volume covers 1900 1940 and deals with the fate of the last eastern european jewish community to be emancipated and its struggle for civil rights amid antisemitism and greater romania between the two world wars the iron guard first pogroms and more

wilhelm filderman wikipedia - Apr 22 2022

web as a former classmate of marshal ion antonescu the leader conducător of romania between 1940 and 1944 filderman was partly responsible for indefinitely suspending plans to deport the jews in the romanian old kingdom and southern transylvania to nazi death camps in poland in turn this led to the majority of the jews in romania surviving

wilhelm filderman memories diaries volume 1 1900 1940 - Oct 29 2022

web wilhelm filderman memories diaries volume 1 1900 1940 jean ancel editor jean ancel amazon com au books

[bir alman in hikayesi hatırladıklarım 1914 1933](#) - Feb 18 2022

web bir alman in hikayesi hatırladıklarım 1914 1933 sebastian haffner hulki demirel amazon com tr kitap

wilhelm filderman memoirs and diaries volume 2 1940 1952 - Nov 29 2022

web diaries memoirs the holocaust survivors memoirs project exhibition catalogs and albums research papers the encyclopedia of the righteous among the nations used books other languages italian german russian french spanish portuguese educational materials □□□□□

[wilhelm filderman memoirs and diaries volume 1 1900 1940](#) - Sep 08 2023

web wilhelm filderman memoirs and diaries volume 1 1900 1940 edited by jean ancel price 40 00 your price 30 00 diary of the former leader of the jews of romania in the inter war period filderman supervised the process of obtaining equal rights for jews following world war i

[wilhelm filderman memories diaries volume 1 1900 1940 goodreads](#) - Aug 07 2023

web jan 1 2004 the first part covers 1900 1940 and deals with the fate of the last eastern european jewish community to be emancipated 1923 and its struggle for civil rights amid antisemitism jewish integration within the weak democracy of greater

romania between the two world wars the emergence and expansion of a c cuza s antisemitic movement

[wilhelm filderman jewish virtual library](#) - May 24 2022

web support jvl donate wilhelm filderman was a romanian jewish leader born in bucharest in 1909 filderman became a doctor of law in paris he returned to romania and after teaching for two years at the high school of the jewish community of bucharest started his law practice in 1912 in 1913 he was elected to the central committee of the union

memoirs diaries volume 1900 1940 von filderman wilhelm zwab - Sep 27 2022

web memoirs and diaries volume i 1900 1940 von filderman wilhelm und eine große auswahl ähnlicher bücher kunst und sammlerstücke erhältlich auf zwab com

kia rio 2005 2006 2007 2008 2009 2010 2011 service manual - Oct 24 2021

kia rio zapp 2006 workshop manual pdf - Apr 29 2022

web kia rio zapp 2006 workshop manual author laurenz schierokauer from erp ecomobi com subject kia rio zapp 2006 workshop manual keywords

kia rio 2007 service manual pdf workshop repair yumpu - Aug 02 2022

web kia rio zapp 2006 workshop manual decoding kia rio zapp 2006 workshop manual revealing the captivating potential of verbal expression in a time characterized by

kia rio zapp 2006 workshop manual home rightster com - Jan 27 2022

web 9 99 get your hands on the complete kia factory workshop software download now check out our popular kia rio manuals below kia rio workshop manual 1998

kia rio zapp 2006 workshop manual full pdf - May 31 2022

web kia rio zapp 2006 workshop manual menu home translate read online british force motorcycles 1925 1945 hardcover betty crocker the big book of cookies add comment

kia rio zapp 2006 workshop manual full pdf zuzutop com - Sep 03 2022

web apr 8 2023 computer kia rio zapp 2006 workshop manual is easily reached in our digital library an online access to it is set as public correspondingly you can download it instantly

kia rio zapp 2006 workshop manual - Dec 26 2021

web mar 17 2015 attention your epaper is waiting for publication by publishing your document the content will be optimally indexed by google via ai and sorted into the right

[kia rio 2006 2012 factory repair manual factory](#) - Mar 09 2023

web view and download kia rio 2006 owner s manual online rio 2006 automobile pdf manual download

[kia rio free workshop and repair manuals](#) - Aug 14 2023

web kia rio workshop manuals and repair manuals every manual available online found by our community and shared for free enjoy kia rio the kia rio is a subcompact car

kia rio service repair manual kia rio pdf - Apr 10 2023

web kia rio workshop manual 1998 2006 kia rio5 workshop manual l4 1 6l 2006 1998 2006 kia rio 4 cylinders 3 1 6l fi dohc 33065701 kia rio workshop

kia rio repair service manuals 187 pdf s - Dec 06 2022

web mar 22 2023 this kia rio 2006 workshop service manual for repair ca038983 is an electronic manual presented for you in electronic format and can be printed out easily

kia rio zapp 2006 workshop manual - Mar 29 2022

web kia rio zapp 2006 workshop manual may 8th 2018 download the free trial version below to get started double click the downloaded file to install the software le live

kia rio 2006 workshop service manual for repair ca038983 - Oct 04 2022

web kia rio 2007 service manual pdf workshop

[kia rio 2006 workshop service repair manual ca038003](#) - Nov 05 2022

web install the kia rio zapp 2006 workshop manual it is unquestionably simple then since currently we extend the associate to purchase and create bargains to download and

kia rio workshop manual 2006 2009 onlymanuals - Nov 24 2021

web mar 17 2015 kia rio 2007 service manual pdf workshop repair 17 03 2015 views share embed flag

kia rio zapp 2006 workshop manual pdf uniport edu - Jul 01 2022

web kia rio zapp 2006 workshop manual unveiling the power of verbal beauty an psychological sojourn through kia rio zapp 2006 workshop manual in a world

kia rio zapp 2006 workshop manual erp ecomobi com - Feb 25 2022

web kia rio zapp 2006 workshop manual film streaming gratuit hd en vf et vostfr série et manga gender recognition on dutch tweets pdf docplayer nl finland helsinki

kia rio workshop manual 2006 2009 onlymanuals - Feb 08 2023

web in the table below you can see 1 rio workshop manuals 0 rio owners manuals and 17 miscellaneous kia rio downloads our most popular manual is the 1998 2006 kia

kia rio 2007 service manual pdf workshop repair yumpu - Sep 22 2021

kia rio 2006 owner s manual pdf download - Jan 07 2023

web kia rio 2006 service repair manual pdf covers every single detail on your machine and provides step by step instructions based on the complete disassembly of the machine

2006 kia rio service repair manuals pdf download - Jul 13 2023

web jun 7 2008 kia rio service repair manual 2006 2007 2008 download kia rio service repair manual 2006 2007 2008 download kia rio rio5

kia rio workshop manual free pdf download all - Jun 12 2023

web mar 17 2015 kia rio 2006 service manual pdf workshop repair xx english deutsch français español portuguê s italiano român nederlands latina dansk svenska norsk

kia rio 2006 service manual pdf workshop repair yumpu - May 11 2023

web sep 6 2015 kia rio 2006 2007 2008 2009 2010 2011 2012 factory repair manual click here for more info about it kia rio j b ub 2006 2007 2008 2009 2010 2011 2012