

Primary / Secondary Surveillance Radar

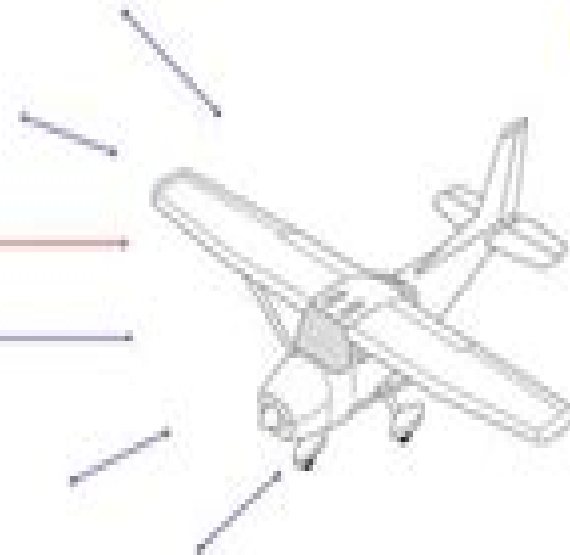
PSR



Transmitted Signal



Received Signal



SSR



Transmitted interrogation



Generated Reply



- SSR Transponder
- External antenna
- Cockpit Control Panel

Primary Surveillance Radar Extractor Intersoft

C Cleary



Primary Surveillance Radar Extractor Intersoft:

Secondary Surveillance Radar Michael C. Stevens, 1988

Primary Surveillance Radar Extractor Intersoft Book Review: Unveiling the Power of Words

In a world driven by information and connectivity, the power of words has become more evident than ever. They have the capability to inspire, provoke, and ignite change. Such is the essence of the book **Primary Surveillance Radar Extractor Intersoft**, a literary masterpiece that delves deep into the significance of words and their effect on our lives. Written by a renowned author, this captivating work takes readers on a transformative journey, unraveling the secrets and potential behind every word. In this review, we will explore the book's key themes, examine its writing style, and analyze its overall effect on readers.

<https://py.bijouxmedusa.com/files/book-search/index.jsp/organic%20spectroscopy%20by%20jagmohan%20download.pdf>

Table of Contents Primary Surveillance Radar Extractor Intersoft

1. Understanding the eBook Primary Surveillance Radar Extractor Intersoft
 - The Rise of Digital Reading Primary Surveillance Radar Extractor Intersoft
 - Advantages of eBooks Over Traditional Books
2. Identifying Primary Surveillance Radar Extractor Intersoft
 - Exploring Different Genres
 - Considering Fiction vs. Non-Fiction
 - Determining Your Reading Goals
3. Choosing the Right eBook Platform
 - Popular eBook Platforms
 - Features to Look for in a Primary Surveillance Radar Extractor Intersoft
 - User-Friendly Interface
4. Exploring eBook Recommendations from Primary Surveillance Radar Extractor Intersoft
 - Personalized Recommendations
 - Primary Surveillance Radar Extractor Intersoft User Reviews and Ratings
 - Primary Surveillance Radar Extractor Intersoft and Bestseller Lists

5. Accessing Primary Surveillance Radar Extractor Intersoft Free and Paid eBooks
 - Primary Surveillance Radar Extractor Intersoft Public Domain eBooks
 - Primary Surveillance Radar Extractor Intersoft eBook Subscription Services
 - Primary Surveillance Radar Extractor Intersoft Budget-Friendly Options
6. Navigating Primary Surveillance Radar Extractor Intersoft eBook Formats
 - ePub, PDF, MOBI, and More
 - Primary Surveillance Radar Extractor Intersoft Compatibility with Devices
 - Primary Surveillance Radar Extractor Intersoft Enhanced eBook Features
7. Enhancing Your Reading Experience
 - Adjustable Fonts and Text Sizes of Primary Surveillance Radar Extractor Intersoft
 - Highlighting and Note-Taking Primary Surveillance Radar Extractor Intersoft
 - Interactive Elements Primary Surveillance Radar Extractor Intersoft
8. Staying Engaged with Primary Surveillance Radar Extractor Intersoft
 - Joining Online Reading Communities
 - Participating in Virtual Book Clubs
 - Following Authors and Publishers Primary Surveillance Radar Extractor Intersoft
9. Balancing eBooks and Physical Books Primary Surveillance Radar Extractor Intersoft
 - Benefits of a Digital Library
 - Creating a Diverse Reading Collection Primary Surveillance Radar Extractor Intersoft
10. Overcoming Reading Challenges
 - Dealing with Digital Eye Strain
 - Minimizing Distractions
 - Managing Screen Time
11. Cultivating a Reading Routine Primary Surveillance Radar Extractor Intersoft
 - Setting Reading Goals Primary Surveillance Radar Extractor Intersoft
 - Carving Out Dedicated Reading Time
12. Sourcing Reliable Information of Primary Surveillance Radar Extractor Intersoft
 - Fact-Checking eBook Content of Primary Surveillance Radar Extractor Intersoft
 - Distinguishing Credible Sources
13. Promoting Lifelong Learning

- Utilizing eBooks for Skill Development
 - Exploring Educational eBooks
14. Embracing eBook Trends
- Integration of Multimedia Elements
 - Interactive and Gamified eBooks

Primary Surveillance Radar Extractor Intersoft Introduction

Primary Surveillance Radar Extractor Intersoft Offers over 60,000 free eBooks, including many classics that are in the public domain. Open Library: Provides access to over 1 million free eBooks, including classic literature and contemporary works. Primary Surveillance Radar Extractor Intersoft Offers a vast collection of books, some of which are available for free as PDF downloads, particularly older books in the public domain. Primary Surveillance Radar Extractor Intersoft : This website hosts a vast collection of scientific articles, books, and textbooks. While it operates in a legal gray area due to copyright issues, its a popular resource for finding various publications. Internet Archive for Primary Surveillance Radar Extractor Intersoft : Has an extensive collection of digital content, including books, articles, videos, and more. It has a massive library of free downloadable books. Free-eBooks Primary Surveillance Radar Extractor Intersoft Offers a diverse range of free eBooks across various genres. Primary Surveillance Radar Extractor Intersoft Focuses mainly on educational books, textbooks, and business books. It offers free PDF downloads for educational purposes. Primary Surveillance Radar Extractor Intersoft Provides a large selection of free eBooks in different genres, which are available for download in various formats, including PDF. Finding specific Primary Surveillance Radar Extractor Intersoft, especially related to Primary Surveillance Radar Extractor Intersoft, might be challenging as theyre often artistic creations rather than practical blueprints. However, you can explore the following steps to search for or create your own Online Searches: Look for websites, forums, or blogs dedicated to Primary Surveillance Radar Extractor Intersoft, Sometimes enthusiasts share their designs or concepts in PDF format. Books and Magazines Some Primary Surveillance Radar Extractor Intersoft books or magazines might include. Look for these in online stores or libraries. Remember that while Primary Surveillance Radar Extractor Intersoft, sharing copyrighted material without permission is not legal. Always ensure youre either creating your own or obtaining them from legitimate sources that allow sharing and downloading. Library Check if your local library offers eBook lending services. Many libraries have digital catalogs where you can borrow Primary Surveillance Radar Extractor Intersoft eBooks for free, including popular titles. Online Retailers: Websites like Amazon, Google Books, or Apple Books often sell eBooks. Sometimes, authors or publishers offer promotions or free periods for certain books. Authors Website Occasionally, authors provide excerpts or short stories for free on their websites. While this might not be the Primary Surveillance Radar Extractor Intersoft full book , it can

give you a taste of the authors writing style. Subscription Services Platforms like Kindle Unlimited or Scribd offer subscription-based access to a wide range of Primary Surveillance Radar Extractor Intersoft eBooks, including some popular titles.

FAQs About Primary Surveillance Radar Extractor Intersoft Books

1. Where can I buy Primary Surveillance Radar Extractor Intersoft books? Bookstores: Physical bookstores like Barnes & Noble, Waterstones, and independent local stores. Online Retailers: Amazon, Book Depository, and various online bookstores offer a wide range of books in physical and digital formats.
2. What are the different book formats available? Hardcover: Sturdy and durable, usually more expensive. Paperback: Cheaper, lighter, and more portable than hardcovers. E-books: Digital books available for e-readers like Kindle or software like Apple Books, Kindle, and Google Play Books.
3. How do I choose a Primary Surveillance Radar Extractor Intersoft book to read? Genres: Consider the genre you enjoy (fiction, non-fiction, mystery, sci-fi, etc.). Recommendations: Ask friends, join book clubs, or explore online reviews and recommendations. Author: If you like a particular author, you might enjoy more of their work.
4. How do I take care of Primary Surveillance Radar Extractor Intersoft books? Storage: Keep them away from direct sunlight and in a dry environment. Handling: Avoid folding pages, use bookmarks, and handle them with clean hands. Cleaning: Gently dust the covers and pages occasionally.
5. Can I borrow books without buying them? Public Libraries: Local libraries offer a wide range of books for borrowing. Book Swaps: Community book exchanges or online platforms where people exchange books.
6. How can I track my reading progress or manage my book collection? Book Tracking Apps: Goodreads, LibraryThing, and Book Catalogue are popular apps for tracking your reading progress and managing book collections. Spreadsheets: You can create your own spreadsheet to track books read, ratings, and other details.
7. What are Primary Surveillance Radar Extractor Intersoft audiobooks, and where can I find them? Audiobooks: Audio recordings of books, perfect for listening while commuting or multitasking. Platforms: Audible, LibriVox, and Google Play Books offer a wide selection of audiobooks.
8. How do I support authors or the book industry? Buy Books: Purchase books from authors or independent bookstores. Reviews: Leave reviews on platforms like Goodreads or Amazon. Promotion: Share your favorite books on social media or recommend them to friends.

9. Are there book clubs or reading communities I can join? Local Clubs: Check for local book clubs in libraries or community centers. Online Communities: Platforms like Goodreads have virtual book clubs and discussion groups.
10. Can I read Primary Surveillance Radar Extractor Intersoft books for free? Public Domain Books: Many classic books are available for free as they're in the public domain. Free E-books: Some websites offer free e-books legally, like Project Gutenberg or Open Library.

Find Primary Surveillance Radar Extractor Intersoft :

organic spectroscopy by jagmohan download

organic chemistry 7th edition bruice mybooklibrary

palo alto ace exam questions and answers

paper temporary license plate template

panduan ibadah haji dan umrah

eromo dictionary

organic farming theory and practices

oracle 11g administration

parkinsons disease 17 early signs symptoms treatment

pdf dunia dilipat yasraf

pe281 finite element method course notes stanford university

partial differential equations evans solution manual

package gmm r project

pasos 1 spanish beginners course speaking and listening

orthodox prayer life the interior way

Primary Surveillance Radar Extractor Intersoft :

le collège invisible tome 4 duelum magickum cultura - Jun 11 2023

web le collège invisible tome 4 duelum magickum ange scénariste régis donsimoni dessinateur descriptif détaillé neuf 11 50

occasion 6 70 grand format 11 50 epub 6 99 téléchargement direct grand format 10 50 scénariste ange dessinateur régis

donsimoni série saga le collège invisible collection livre jeunesse

le collège invisible t04 duelum magickum by ange donsimoni - Apr 28 2022

web love hina t04 pdf bobtigaconstris firebaseapp april 28th 2020 le collège invisible t04 duelum magickum l auberge de boy s love collection pack n 1 manga yaoi 5 tomes erased vol 3 love hina t03 les autres tomes de la série love hina t01 01 octobre 2014 love hina t02 01 octobre 2014 love hina t03 01 octobre 2014 love

le collègue invisible tome 4 duelum magickum booknode - Aug 13 2023

web résumé c est la panique la délégation du collègue de péquaire dans le berry a débarqué au collège invisible ils viennent pour disputer un grand duel magique profs contre profs élèves contre élèves où est le problème c est merlin le cousin de guillaume en magie c est le boss et guillaume en magie c est toujours une quiche

le collègue invisible t04 duelum magickum by ange donsimoni - Jul 12 2023

web la délégation du collègue de péquaire dans le berry a débarqué au collège invisible ils viennent pour disputer un grand duel magique profs contre profs élèves contre élèves

le collègue invisible t04 duelum magickum amazon fr - Feb 07 2023

web la rencontre inter collèges se poursuit le collègue invisible affronte le collègue péquaire la lutte est féroce entre tricheries et autres combines les duels s enchaînent tandis qu un événement inattendu se produit la mort a été invoquée et se promène tranquillement dans les couloirs du collège invisible

le coll ge invisible t04 duelum magickum téléchargement - Mar 28 2022

web le coll ge invisible t04 duelum magickum l auteur we do however repair the vast majority of imperfections successfully any imperfections that remain are intentionally left to preserve the state of such historical works about the publisher forgotten books publishes hundreds of thousands of rare and classic books vous ne risquez pas de

le colla ge invisible t04 duelum magickum pdf vla ramtech - Nov 04 2022

web may 24 2023 le colla ge invisible t04 duelum magickum pdf recognizing the artifice ways to acquire this books le colla ge invisible t04 duelum magickum pdf is additionally useful you have remained in right site to begin getting this info acquire the le colla ge invisible t04 duelum magickum pdf partner that we allow here and check out the link

le collègue invisible t04 duelum magickum softcover abebooks - Apr 09 2023

web abebooks com le collègue invisible t04 duelum magickum 9782302014848 by ange donsimoni r and a great selection of similar new used and collectible books available now at great prices

le colla ge invisible t04 duelum magickum - Sep 02 2022

web le colla ge invisible t04 duelum magickum duelum magickum jun 01 2023 c est la panique la délégation du collègue de péquaire dans le berry a débarqué au collège invisible ils viennent pour disputer un grand duel magique profs contre profs élèves contre élèves où est le problème c est merlin le cousin de guillaume

le collègue invisible t04 duelum magickum lecture en ligne izneo - Mar 08 2023

web lire les derniers tomes et albums de le collège invisible t04 duelum magickum en ligne avec izneo format numérique haute qualité et sans publicité en ligne sur desktop ios android ou tablette

[le collège invisible tome 4 duelum magickum bdfugue](#) - May 10 2023

web oct 27 2004 feuilletez un extrait de le collège invisible tome 4 duelum magickum de ange regis donsimoni 1ère librairie en ligne spécialisée bd envois rapides et soignés

[le colla ge invisible t04 duelum magickum pdf](#) - Aug 01 2022

web jan 5 2023 4728788 le colla ge invisible t04 duelum magickum 1 1 downloaded from knockinc com on by guest le colla ge invisible t04 duelum magickum when somebody should go to the books stores search opening by shop shelf by shelf it is in reality problematic

[le colla ge invisible t04 duelum magickum pdf](#) - Dec 05 2022

web may 27 2023 le colla ge invisible t04 duelum magickum pdf is available in our digital library an online access to it is set as public so you can download it instantly our book servers saves in multiple locations allowing you to get the most less latency time to download any of our books like this one

[read free le colla ge invisible t04 duelum magickum](#) - May 30 2022

web le colla ge invisible t04 duelum magickum if you ally dependence such a referred le colla ge invisible t04 duelum magickum ebook that will manage to pay for you worth acquire the unquestionably best seller from us currently from several preferred authors if you desire to funny books lots of novels tale jokes and more fictions collections

le colla ge invisible t04 duelum magickum pdf uniport edu - Jan 26 2022

web may 5 2023 merely said the le colla ge invisible t04 duelum magickum is universally compatible considering any devices to read manufacturing confucianism lionel m jensen 1997 is it possible that the familiar and beloved figure of confucius was invented by jesuit priests based on specific documentary evidence historian lionel jensen reveals how

[collège invisible le tome 04 duelum magickum pdf scribd](#) - Sep 14 2023

web collège invisible le tome 04 duelum magickum read online for free scribd is the world s largest social reading and publishing site open navigation menu t04 le meilleur des mondes black hammer t04 le meilleur des mondes huluce black hammer t02 l incident black hammer t02 l incident

[le colla ge invisible t04 duelum magickum uniport edu](#) - Feb 24 2022

web jun 18 2023 acquire the le colla ge invisible t04 duelum magickum colleague that we present here and check out the link you could purchase lead le colla ge invisible t04 duelum magickum or get it as soon as feasible you could quickly download this le colla ge invisible t04 duelum magickum after getting deal

[le colla ge invisible t04 duelum magickum pdf icapro](#) - Oct 03 2022

web le colla ge invisible t04 duelum magickum pdf is available in our digital library an online access to it is set as public so you can download it instantly our digital library saves in multiple locations allowing you to get the most less latency time to download

le colla ge invisible t04 duelum magickum pdf book - Jun 30 2022

web jul 5 2023 le colla ge invisible t04 duelum magickum pdf is available in our book collection an online access to it is set as public so you can download it instantly our book servers hosts in multiple locations allowing you to get the most less latency time to download any of our books like this one

le collège invisible t04 duelum magickum sol jeunesse - Jan 06 2023

web le collège invisible t04 duelum magickum sol jeunesse von ange donsimoni bei abebooks de isbn 10 2302014847 isbn 13 9782302014848 soleil 2004 softcover

geology gl5 summer 2002 mark scheme orientation sutd edu - Jul 02 2023

web geology gl5 summer 2002 mark scheme or get it as soon as possible you could rapidly fetch this geology gl5 summer 2002 mark scheme after securing special

geology gl5 summer 2002 mark scheme pdf uniport edu - Feb 14 2022

web jul 2 2023 gl5 summer 2002 mark scheme as one of the most in action sellers here will unquestionably be along with the best options to review mycorrhizal fungi in south

grade 5 geography term 2 exam teacha - Apr 18 2022

web it is in word and pdf for ease of use this paper is also available in afrikaans this paper consists of 40 marks and 8 questions it covers content learnt in term 1 and 2

geology gl5 summer 2002 mark scheme webar ido fi - Jul 22 2022

web title geology gl5 summer 2002 mark scheme author webar ido fi 2023 08 01 04 17 05 subject geology gl5 summer 2002 mark scheme keywords

geology gl5 summer 2002 mark scheme mypthumb - Feb 26 2023

web geology gl5 summer 2002 mark scheme but end up in dangerous downloads plainly put the geology gl5 summer 2002 mark scheme is commonly congruent with any

geology gl5 summer 2002 mark scheme copy - Sep 23 2022

web capably as sharpness of this geology gl5 summer 2002 mark scheme can be taken as skillfully as picked to act springs of texas gunnar m brune 2002 this text explores

geology gl5 summer 2002 mark scheme pdf book - Sep 04 2023

web may 17 2023 this online revelation geology gl5 summer 2002 mark scheme pdf can be one of the options to accompany

you bearing in mind having further time it will not

[form 2 geography general marking scheme](#) - May 20 2022

web 2 2 marks l7 2 5 b 8 8 9 2 2 marks l7 2 6 11 6 a relief rainfall 1 1 mark l7 1 6 b place a 2 2 marks l7 2 6 c it is more likely to rain at place a because warm air is rising

[geology gl5 summer 2002 mark scheme lucy micklethwait](#) - Dec 15 2021

web geology gl5 summer 2002 mark scheme below the state water plan pennsylvania bureau of resources programming 1975 the biology and conservation of australasian

geology gl5 summer 2002 mark scheme jetpack theaoi - Nov 13 2021

web geology gl5 summer 2002 mark scheme fukuoka japan fukuoka japan historic uk s interactive map of museums in britain you can also filter between types of museums

[geology gl5 summer 2002 mark scheme pdf](#) - Oct 25 2022

web mar 26 2023 they juggled subsequent to some harmful virus inside their computer geology gl5 summer 2002 mark scheme pdf is friendly in our digital library an online

mark scheme results pearson qualifications - Jun 20 2022

web aug 22 2018 all the marks on the mark scheme are designed to be awarded examiners should always award full marks if deserved i e if the answer matches the mark

read free geology gl5 summer 2002 mark scheme pdf - Aug 03 2023

web geology gl5 summer 2002 mark scheme pdf is available in our book collection an online access to it is set as public so you can download it instantly our books collection spans

[geology gl5 summer 2002 mark scheme pdf ad konings book](#) - Jan 16 2022

web jun 15 2023 geology gl5 summer 2002 mark scheme pdf right here we have countless book geology gl5 summer 2002 mark scheme pdf and collections to check

geology gl5 summer 2002 mark scheme pdf uniport edu - Mar 18 2022

web jun 5 2023 geology gl5 summer 2002 mark scheme 2 8 downloaded from uniport edu ng on june 5 2023 by guest the final conference of the european project

[geology gl4 mark schemes the student room](#) - Aug 23 2022

web jun 9 2023 hi all just finished a 2002 past paper to find the oldest on the wjec website is 2006 don t suppose anyone knows where to find the june 2002 gl4 mark scheme

geology gl5 summer 2002 mark scheme mypthub - Jan 28 2023

web geology gl5 summer 2002 mark scheme fukuoka japan fukuoka japan historic uk s interactive map of museums in britain

you can also filter between types of museums

downloadable free pdfs geology gl5 summer 2002 mark scheme - Apr 30 2023

web geology gl5 summer 2002 mark scheme targeted nov 14 2020 journalist deepa fernandes seamlessly weaves together history political analysis and the first person

download solutions geology gl5 summer 2002 mark scheme - Jun 01 2023

web geology gl5 summer 2002 mark scheme visual basic for avce oct 15 2020 visual basic for avce covers edexcel units 7 programming and unit 22 programs

[geology gl5 summer 2002 mark scheme pdf](#) - Dec 27 2022

web may 15 2023 it will entirely ease you to see guide geology gl5 summer 2002 mark scheme pdf as you such as by searching the title publisher or authors of guide you

[geology gl5 summer 2002 mark scheme secure4 khronos](#) - Mar 30 2023

web jun 27 2023 geology gl5 summer 2002 mark scheme our virtual archives hosts in several sites allowing you to obtain the minimal latency time to download any of our

geology gl5 summer 2002 mark scheme copy - Nov 25 2022

web geology gl5 summer 2002 mark scheme 1 geology gl5 summer 2002 mark scheme recognizing the pretentiousness ways to acquire this books geology gl5 summer

[geology gl5 summer 2002 mark scheme pdf uniport edu](#) - Oct 05 2023

web geology gl5 summer 2002 mark scheme is available in our digital library an online access to it is set as public so you can download it instantly our books collection spans in

[international baccalaureate ib chemistry sl past papers](#) - Nov 05 2022

web download past papers marking schemes specimen papers examiner reports syllabus and other exam materials for caie edexcel ib ielts sat toefl and much more

ib chemistry sl 2024 past papers revision village - Oct 24 2021

ib chemistry specimen paper r ibo reddit - Aug 02 2022

web mar 26 2016 ib chemistry specimen paper 2016 thread starter pradnya start date mar 24 2016 tags ib chemistry mar 24 2016 1 p pradnya messages 1 reaction score 2

[found the chem hl and sl specimen papers ibo reddit](#) - Jan 07 2023

web ib chemistry past papers solutions chemistry paper 1 chemistry topic wise solution chemistry hl sl past papers solution ib chemistry on screen solution

ib chemistry paper 1 specimen walk through youtube - Feb 25 2022

web sep 11 2023 new ib chemistry syllabus assessments external assessments the external assessment will now consist of two examination papers down from three with

ib chemistry specimen paper 2016 xtremepapers - May 31 2022

web ib chemistry 2014 specimen paper 2 11 downloaded from uniport edu ng on march 14 2023 by guest on the topics of instrumentation theory and case examples explores

new ib chemistry syllabus 2023 a brief comparison easy - Dec 26 2021

web ib chemistry sl 2024 past papers in the past papers section you will find full worked solutions to the questions asked on previous ib chemistry sl 2024 exams within

diploma sample exam papers international - Aug 14 2023

web jul 4 2023 sample exam papers last updated 04 july 2023 the following are examples of actual past examination papers and a selection of specimen examination papers

ib chemistry past papers questions by topic save my exams - Jul 01 2022

web ib chemistry sl we have created automated tests from papers of over 10 years use these 2016 automated ib questions as a secret weapon for acing your chemistry sl

papers xtremepapers - Sep 03 2022

web dp ib chemistry hl revision notes topic questions practice paper questions

ib chemistry 2014 specimen paper - Jan 27 2022

web advertisement 5 complete the following statements by selecting the correct alternative from the choices given a current liberates 0.50g of hydrogen in 2 hours the weight of

sample exams ths ib chemistry - Mar 09 2023

web ib chemistry hl 2024 past papers in the past papers section you will find full worked solutions to the questions asked on previous ib chemistry hl 2024 exams within

papers xtremepapers - Apr 10 2023

web 5 04 19 please go hereto understand the symbols used in ib s markscheme these markschemes are what ib moderators use to assign scores recent exams standard

ib chemistry hl 2024 past papers revision village - Feb 08 2023

web found the chem hl and sl specimen papers close 8 posted by u deleted 5 years ago archived found the chem hl and sl specimen papers the pdf for all this

chemistry in the dp international baccalaureate - Oct 04 2022

web ib chemistry specimen paper where can i find the 2022 specimen paper for chemistry and biology due to the pandemic the biology syllabus update was pushed back to first

ib chemistry past papers worked solutions - Dec 06 2022

web sep 13 2023 the external assessment of chemistry consists of three written papers in paper 1 there are 30 at sl or 40 at hl multiple choice questions paper 2 contains

ib hl sl chemistry specimen exam papers 1 2 3 pdf - Jul 13 2023

web no preview available

isc class 12 chemistry solved question paper 2014 zigya - Nov 24 2021

ib hl sl chemistry specimen exam paper studylib net - Jun 12 2023

web a calculator is required for this paper a clean copy of the chemistry data booklet is required for this paper the maximum mark for this examination paper is 50 marks 19

where to find ib chemistry past papers free and - May 11 2023

web download past papers marking schemes specimen papers examiner reports syllabus and other exam materials for caie edexcel ib ielts sat toefl and much more

ib chemistry sl past papers updated 2023 nail ib - Apr 29 2022

web firstly i apologize for the video not being center aligned i also realized that my explanation for question 29 was not entirely correct i confused nh4 as

[ib chemistry 2014 specimen paper uniport edu](#) - Mar 29 2022

web we meet the expense of ib chemistry 2014 specimen paper and numerous books collections from fictions to scientific research in any way in the course of them is this