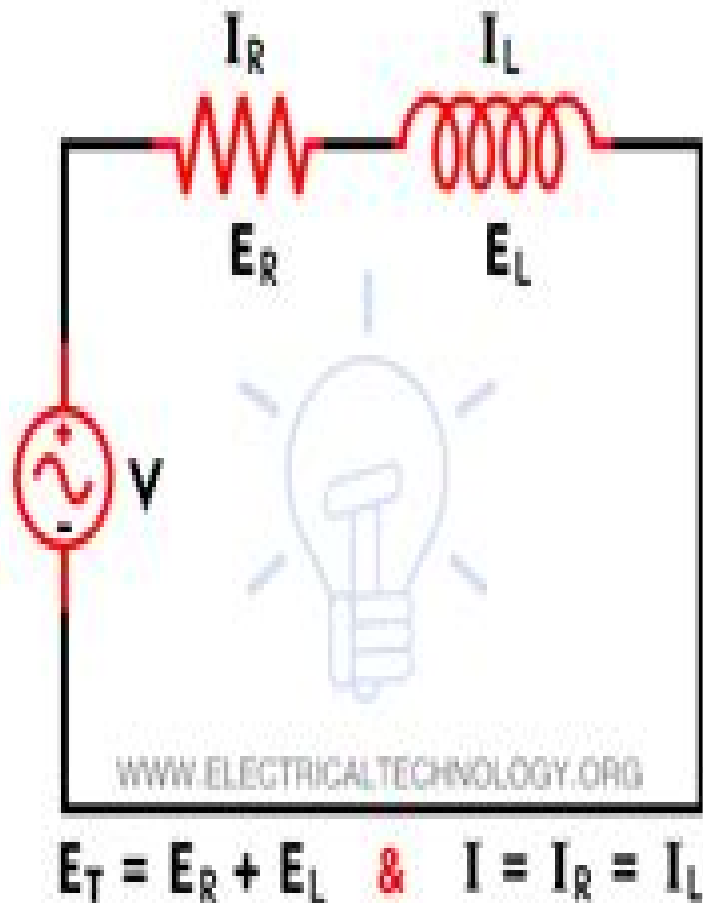
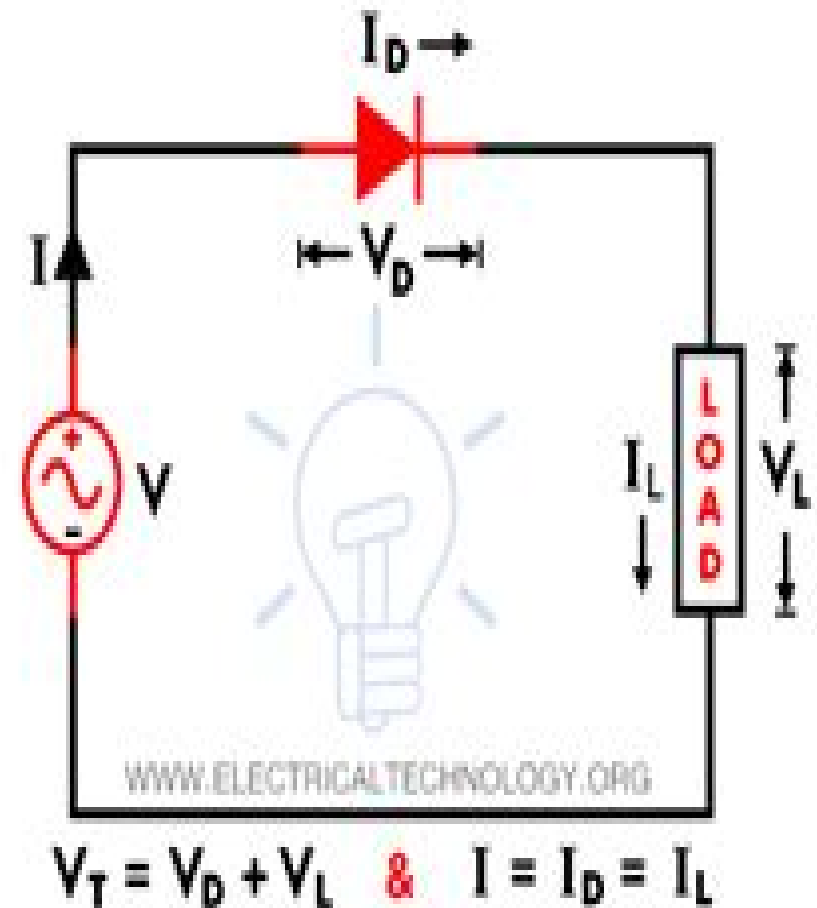


Difference Between Linear and Nonlinear Circuit



Linear Circuit



Nonlinear Circuit

Linear And Nonlinear Circuits

Katrin Zwirgmaier



Linear And Nonlinear Circuits:

Reviewing **Linear And Nonlinear Circuits**: Unlocking the Spellbinding Force of Linguistics

In a fast-paced world fueled by information and interconnectivity, the spellbinding force of linguistics has acquired newfound prominence. Its capacity to evoke emotions, stimulate contemplation, and stimulate metamorphosis is truly astonishing. Within the pages of "**Linear And Nonlinear Circuits**," an enthralling opus penned by a very acclaimed wordsmith, readers embark on an immersive expedition to unravel the intricate significance of language and its indelible imprint on our lives. Throughout this assessment, we shall delve in to the book is central motifs, appraise its distinctive narrative style, and gauge its overarching influence on the minds of its readers.

https://py.bijouxmedusa.com/About/detail/Download_PDFS/Roadmap_For_Creators_17_1378_Print_On_Demand_Roadmap_For_Creators.pdf

Table of Contents Linear And Nonlinear Circuits

1. Understanding the eBook Linear And Nonlinear Circuits
 - The Rise of Digital Reading Linear And Nonlinear Circuits
 - Advantages of eBooks Over Traditional Books
2. Identifying Linear And Nonlinear Circuits
 - Exploring Different Genres
 - Considering Fiction vs. Non-Fiction
 - Determining Your Reading Goals
3. Choosing the Right eBook Platform
 - Popular eBook Platforms
 - Features to Look for in an Linear And Nonlinear Circuits
 - User-Friendly Interface
4. Exploring eBook Recommendations from Linear And Nonlinear Circuits
 - Personalized Recommendations
 - Linear And Nonlinear Circuits User Reviews and Ratings

- Linear And Nonlinear Circuits and Bestseller Lists
- 5. Accessing Linear And Nonlinear Circuits Free and Paid eBooks
 - Linear And Nonlinear Circuits Public Domain eBooks
 - Linear And Nonlinear Circuits eBook Subscription Services
 - Linear And Nonlinear Circuits Budget-Friendly Options
- 6. Navigating Linear And Nonlinear Circuits eBook Formats
 - ePub, PDF, MOBI, and More
 - Linear And Nonlinear Circuits Compatibility with Devices
 - Linear And Nonlinear Circuits Enhanced eBook Features
- 7. Enhancing Your Reading Experience
 - Adjustable Fonts and Text Sizes of Linear And Nonlinear Circuits
 - Highlighting and Note-Taking Linear And Nonlinear Circuits
 - Interactive Elements Linear And Nonlinear Circuits
- 8. Staying Engaged with Linear And Nonlinear Circuits
 - Joining Online Reading Communities
 - Participating in Virtual Book Clubs
 - Following Authors and Publishers Linear And Nonlinear Circuits
- 9. Balancing eBooks and Physical Books Linear And Nonlinear Circuits
 - Benefits of a Digital Library
 - Creating a Diverse Reading Collection Linear And Nonlinear Circuits
- 10. Overcoming Reading Challenges
 - Dealing with Digital Eye Strain
 - Minimizing Distractions
 - Managing Screen Time
- 11. Cultivating a Reading Routine Linear And Nonlinear Circuits
 - Setting Reading Goals Linear And Nonlinear Circuits
 - Carving Out Dedicated Reading Time
- 12. Sourcing Reliable Information of Linear And Nonlinear Circuits
 - Fact-Checking eBook Content of Linear And Nonlinear Circuits
 - Distinguishing Credible Sources

13. Promoting Lifelong Learning
 - Utilizing eBooks for Skill Development
 - Exploring Educational eBooks
14. Embracing eBook Trends
 - Integration of Multimedia Elements
 - Interactive and Gamified eBooks

Linear And Nonlinear Circuits Introduction

In the digital age, access to information has become easier than ever before. The ability to download Linear And Nonlinear Circuits has revolutionized the way we consume written content. Whether you are a student looking for course material, an avid reader searching for your next favorite book, or a professional seeking research papers, the option to download Linear And Nonlinear Circuits has opened up a world of possibilities. Downloading Linear And Nonlinear Circuits provides numerous advantages over physical copies of books and documents. Firstly, it is incredibly convenient. Gone are the days of carrying around heavy textbooks or bulky folders filled with papers. With the click of a button, you can gain immediate access to valuable resources on any device. This convenience allows for efficient studying, researching, and reading on the go. Moreover, the cost-effective nature of downloading Linear And Nonlinear Circuits has democratized knowledge. Traditional books and academic journals can be expensive, making it difficult for individuals with limited financial resources to access information. By offering free PDF downloads, publishers and authors are enabling a wider audience to benefit from their work. This inclusivity promotes equal opportunities for learning and personal growth. There are numerous websites and platforms where individuals can download Linear And Nonlinear Circuits. These websites range from academic databases offering research papers and journals to online libraries with an expansive collection of books from various genres. Many authors and publishers also upload their work to specific websites, granting readers access to their content without any charge. These platforms not only provide access to existing literature but also serve as an excellent platform for undiscovered authors to share their work with the world. However, it is essential to be cautious while downloading Linear And Nonlinear Circuits. Some websites may offer pirated or illegally obtained copies of copyrighted material. Engaging in such activities not only violates copyright laws but also undermines the efforts of authors, publishers, and researchers. To ensure ethical downloading, it is advisable to utilize reputable websites that prioritize the legal distribution of content. When downloading Linear And Nonlinear Circuits, users should also consider the potential security risks associated with online platforms. Malicious actors may exploit vulnerabilities in unprotected websites to distribute malware or steal personal information. To protect themselves, individuals should ensure their devices have reliable antivirus software installed and

validate the legitimacy of the websites they are downloading from. In conclusion, the ability to download Linear And Nonlinear Circuits has transformed the way we access information. With the convenience, cost-effectiveness, and accessibility it offers, free PDF downloads have become a popular choice for students, researchers, and book lovers worldwide. However, it is crucial to engage in ethical downloading practices and prioritize personal security when utilizing online platforms. By doing so, individuals can make the most of the vast array of free PDF resources available and embark on a journey of continuous learning and intellectual growth.

FAQs About Linear And Nonlinear Circuits Books

1. Where can I buy Linear And Nonlinear Circuits books? Bookstores: Physical bookstores like Barnes & Noble, Waterstones, and independent local stores. Online Retailers: Amazon, Book Depository, and various online bookstores offer a wide range of books in physical and digital formats.
2. What are the different book formats available? Hardcover: Sturdy and durable, usually more expensive. Paperback: Cheaper, lighter, and more portable than hardcovers. E-books: Digital books available for e-readers like Kindle or software like Apple Books, Kindle, and Google Play Books.
3. How do I choose a Linear And Nonlinear Circuits book to read? Genres: Consider the genre you enjoy (fiction, non-fiction, mystery, sci-fi, etc.). Recommendations: Ask friends, join book clubs, or explore online reviews and recommendations. Author: If you like a particular author, you might enjoy more of their work.
4. How do I take care of Linear And Nonlinear Circuits books? Storage: Keep them away from direct sunlight and in a dry environment. Handling: Avoid folding pages, use bookmarks, and handle them with clean hands. Cleaning: Gently dust the covers and pages occasionally.
5. Can I borrow books without buying them? Public Libraries: Local libraries offer a wide range of books for borrowing. Book Swaps: Community book exchanges or online platforms where people exchange books.
6. How can I track my reading progress or manage my book collection? Book Tracking Apps: Goodreads, LibraryThing, and Book Catalogue are popular apps for tracking your reading progress and managing book collections. Spreadsheets: You can create your own spreadsheet to track books read, ratings, and other details.
7. What are Linear And Nonlinear Circuits audiobooks, and where can I find them? Audiobooks: Audio recordings of books, perfect for listening while commuting or multitasking. Platforms: Audible, LibriVox, and Google Play Books offer a wide selection of audiobooks.

8. How do I support authors or the book industry? Buy Books: Purchase books from authors or independent bookstores. Reviews: Leave reviews on platforms like Goodreads or Amazon. Promotion: Share your favorite books on social media or recommend them to friends.
9. Are there book clubs or reading communities I can join? Local Clubs: Check for local book clubs in libraries or community centers. Online Communities: Platforms like Goodreads have virtual book clubs and discussion groups.
10. Can I read Linear And Nonlinear Circuits books for free? Public Domain Books: Many classic books are available for free as they're in the public domain. Free E-books: Some websites offer free e-books legally, like Project Gutenberg or Open Library.

Find Linear And Nonlinear Circuits :

roadmap for creators 17-1378 print on demand roadmap for creators

examples for creators 17-1562 data science careers examples for creators

online case study United States 17-2506 freelancing online case study

for creators 17-711 SEO strategy apps for creators 17-2199 SEO strategy

AI marketing guide for creators 17-305 AI marketing guide for small

17-1968 small business ideas comparison for startups 17-1334 small

comparison for small business 17-392 machine learning basics comparison

on demand guide USA 17-1365 print on demand guide USA 17-2070 print on

guide for small business 17-1633 blockchain development guide for

17-2326 business automation best practices for creators 17-345 business

America 17-2649 AI marketing for beginners for entrepreneurs 17-2526 AI

startups 17-115 crypto trading strategies for startups 17-452 crypto

17-1697 luxury travel tools United States 17-192 luxury travel tools for

17-2609 content marketing examples United States 17-2520 content

ideas United States 17-1377 coding for beginners ideas for startups

Linear And Nonlinear Circuits :

pravda ha ha true travels to the end of europe google books - Jan 14 2023

web an unsettling timely and darkly comic exposé of putin s russia and european disintegration from highly acclaimed travel

writer rory maclean in 1989 the berlin wall fell in that euphoric year

[pravda ha ha true travels to the end of europe rory maclean](#) - Jun 19 2023

web an unsettling timely and darkly comic exposé of putin s russia and european disintegration from highly acclaimed travel

writer rory maclean in 1989 the berlin

pravda ha ha true travels to the end of europe the storygraph - Sep 10 2022

web he explores the politics then and now records the experiences and ways of life of old and new acquaintances and gives a bleak outlook on the dream of european unity maclean paints an increasingly nationalistic and xenophobic picture

throughout eastern europe

pravda ha ha truth lies and the end of europe amazon co uk - Feb 15 2023

web rory s 14th book pravda ha ha true travels to the end of europe marks the 30th anniversary of the fall of the berlin wall in his humanitarian work rory has written about the missing civilians of the yugoslav wars for the international committee of the red cross on divided cyprus for the un s committee on missing persons and on north korea

[pravda ha ha true travels to the end of europe amazon com](#) - Sep 22 2023

web jan 14 2020 rory s 14th book pravda ha ha true travels to the end of europe marks the 30th anniversary of the fall of the berlin wall in his humanitarian work rory has written about the missing civilians of the yugoslav wars for the international committee of the red cross on divided cyprus for the un s committee on missing persons and on north

pravda ha ha true travels to the end of europe books 49th - Nov 12 2022

web as europe sleepwalks into a perilous new age maclean explores how opportunists both within and outside of russia from putin to home counties populists have made a joke of truth exploiting refugees and the dispossessed and examines the veracity of historical narrative from reportage to fiction and fake news

rental mobil pravda medan pravda holidays travel and tour - May 06 2022

web rental mobil pravda 2022 hadirkan armada terbaru bagi anda yang ingin berpelesiran ke kota medan sumatera utara untuk kebutuhan transportasi perjalanan bisnis event wisata kunjungan kerja dan kebutuhan lainnya pravda rent car

hadirkan berbagai jenis mobil vip dengan pelayanan yang ramah dan nyaman diantaranya sewa mobil alphard medan

[pravda ha ha by rory maclean review true travels to the end of europe](#) - Aug 21 2023

web oct 31 2019 pravda ha ha by rory maclean review true travels to the end of europe an exploration into putin s russia asks what happened to the dream of a united liberal europe daniel beer

pravda ha ha true travels to the end of europe book marks - Oct 11 2022

web jan 14 2020 pravda ha ha true travels to the end of europe by rory maclean has an overall rating of positive based on 10 book reviews

[pravda ha ha true travels to the end of europe hardcover](#) - Apr 17 2023

web rory s 14th book pravda ha ha true travels to the end of europe marks the 30th anniversary of the fall of the berlin wall in his humanitarian work rory has written about the missing civilians of the yugoslav wars for the international committee of the red cross on divided cyprus for the un s committee on missing persons and on north korea

[pravda ha ha true travels to the end of europe hardcover](#) - Mar 16 2023

web jan 14 2020 overview an unsettling timely and darkly comic exposé of putin s russia and european disintegration from highly acclaimed travel writer rory maclean in 1989 the berlin wall fell in that euphoric year rory maclean travelled from berlin to moscow exploring lands that were for most brits and americans part of the forgotten half of

[pravda ha ha true travels to the end of europe audible](#) - Mar 04 2022

web amazon com pravda ha ha true travels to the end of europe audible audio edition rory maclean rory maclean bloomsbury publishing plc books skip to main content us hello select your address audible books originals

[pravda ha ha true travels to the end of europe goodreads](#) - Oct 23 2023

web jan 14 2020 pravda ha ha true travels to the end of europe rory maclean 3 96 383 ratings68 reviews an unsettling timely and darkly comic exposé of putin s russia and european disintegration from highly acclaimed travel writer rory maclean in

[pravda ha ha true travels to the end of europe hardcover](#) - Jul 20 2023

web rory s 14th book pravda ha ha true travels to the end of europe marks the 30th anniversary of the fall of the berlin wall in his humanitarian work rory has written about the missing civilians of the yugoslav wars for the international committee of the red cross on divided cyprus for the un s committee on missing persons and on north korea

[pravda ha ha true travels to the end of europe by rory maclean](#) - Aug 09 2022

web pravda ha ha true travels to the end of europe rory maclean 368 pages first pub 2020 isbn uid none format not specified language english publisher not specified publication date not specified nonfiction history travel informative slow paced to read read currently reading did not finish

travel and tour di medan about pravda holidays 2023 - Jun 07 2022

web pravda holidays is one of the biggest transportation company in sumatera utara located in medan pravda was founded on may 30 2007 and has been growing until now pravda holidays has rental services for buses cars vip cars and tourism boats that can be used for tours work visits or other activities

pravda ha ha truth lies and the end of europe amazon com - Apr 05 2022

web nov 1 2019 rory s 14th book pravda ha ha true travels to the end of europe marks the 30th anniversary of the fall of the berlin wall in his humanitarian work rory has written about the missing civilians of the yugoslav wars for the international

committee of the red cross on divided cyprus for the un s committee on missing persons and on north
pravda in english translation online dictionary - Jul 08 2022

web nov 28 2015 kazakhstanskaya pravda november 28 2015 kazakhstanskaya pravda newspaper 5 december 2015
indonesian english translate english anti soviet newspapers were closed until pravda truth and izvestia the news established
their communications monopoly

pravda ha ha true travels to the end of europe amazon - May 18 2023

web pravda ha ha true travels to the end of europe maclean rory amazon sg books

pravda ha ha true travels to the end of europe bookshop - Dec 13 2022

web an unsettling timely and darkly comic expos of putin s russia and european disintegration from highly acclaimed travel
writer rory maclean in 1989 the berlin wall fell in that euphoric year rory maclean travelled from berlin to moscow exploring
lands that were for most brits and americans part of the forgotten half of europe

leading cloud business software suite in singapore netsuite - Aug 02 2023

web singapore s 1 cloud business software suite 37 000 customers free product tour why netsuite netsuite is singapore s
leading web based business software including accounting erp crm inventory and ecommerce

suite noun definition pictures pronunciation and usage notes - Dec 26 2022

web see suite in the oxford advanced american dictionary see suite in the oxford learner s dictionary of academic english
check pronunciation suite definition of suite noun in oxford advanced learner s dictionary meaning pronunciation picture
example sentences grammar usage notes synonyms and more

google workspace secure online productivity collaboration - Jul 01 2023

web learn how the suite of secure online tools from google workspace empowers teams of all sizes to do their best work

suite definition meaning merriam webster - Sep 03 2023

web the meaning of suite is retinue especially the personal staff accompanying a ruler diplomat or dignitary on official
business how to use suite in a sentence

suite pronunciation in english cambridge dictionary - May 31 2023

web suite pronunciation how to say suite listen to the audio pronunciation in english learn more

suite definition and meaning collins english dictionary - Feb 25 2023

web word forms regular plural suites noun hospitality hotel hotel room a suite is a set of rooms in a hotel or other building he
chose the most expensive suite in the whole hotel

suite definition usage examples dictionary com - Mar 29 2023

web see synonyms for suite on thesaurus com noun a number of things forming a series or set a connected series of rooms to

be used together a hotel suite a set of furniture

suit definition meaning merriam webster - Jan 27 2023

web noun 'süt synonyms of suit 1 a set of garments such as a an ensemble of two or more usually matching outer garments such as a jacket vest and trousers

[symphony suites condo in sembawang yishun prices](#) - Apr 29 2023

web symphony suites is a 99 years leasehold condo development located in yishun district 27 completed in 2019 it has a total of 12 blocks within the development and comprises a total of 660 units for young couples or families with children symphony suites is also close to schools like affinity education place 318a yishun ave 9 little petals

suite english meaning cambridge dictionary - Oct 04 2023

web suite definition 1 a set of connected rooms especially in a hotel 2 a set of furniture for one room of learn more

finite math for dummies 1st edition kindle edition amazon co uk - Jan 08 2023

web apr 4 2018 if you want to get a better grade in your course finite math for dummies is your ticket to scoring higher inside line up linear functions solve systems of equations make matrices work for you bank on the math of finance tell the truth with statistics use markov chains get into game theory this text refers to the paperback edition

finite math for dummies by mary jane sterling open library - Feb 09 2023

web finite math for dummies by mary jane sterling 2018 wiley sons incorporated john edition in english

[finite math for dummies mary jane sterling google books](#) - May 12 2023

web may 15 2018 finite math for dummies tracks to a typical college level course designed for business computer science accounting and other non math majors and is the perfect supplement to help you

finite math for dummies - Oct 05 2022

web may 15 2018 use mathematical analysis in the real world finite math takes everything you ve learned in your previous math courses and brings them together into one course with a focus on organizing and analyzing information creating mathematical models for approaching business decisions using statistics principles to understand future states

finite math for dummies english edition ebook amazon de - Jun 01 2022

web finite math for dummies english edition ebook sterling mary jane amazon de kindle shop

[finite math for dummies english edition ebook amazon it](#) - Feb 26 2022

web finite math for dummies english edition ebook sterling mary jane amazon it kindle store

finite math for dummies wiley - Aug 15 2023

web finite math for dummies tracks to a typical college level course designed for business computer science accounting and other non math majors and is the perfect supplement to help you score high organize and analyze information

[finite math for dummies sterling mary jane amazon ca books](#) - Nov 06 2022

web may 15 2018 finite math takes everything you ve learned in your previous math courses and brings them together into one course with a focus on organizing and analyzing information creating mathematical models for approaching business decisions using statistics principles to understand future states and applying logic to data organization

[download pdf finite math for dummies pdf 1ktvdge0qg88](#) - Sep 04 2022

web download finite math for dummies pdf type pdf size 3 2mb download as pdf download as docx download as pptx download original pdf this document was uploaded by user and they confirmed that they have the permission to share it if you are author or own the copyright of this book please report to us by using this dmca report

finite math for dummies foxgreat - Jan 28 2022

web finite math for dummies by dummies press length 384 pages edition 1 language english publisher for dummies publication date 2018 05 15 isbn 10 1119476364 isbn 13 9781119476368 sales rank 489427 see top 100 books 3 5 4 ratings print book look inside description use mathematical analysis in the real world

finite math for dummies 1st edition amazon com - Jun 13 2023

web apr 20 2018 the finite math book for dummies is not for dummies but for those folks who have at least a working knowledge of algebra that said i think that mary jane sterling has done a good job organizing and presenting a wealth of useful information especially for people in business

finite math for dummies english edition ebook amazon fr - Mar 30 2022

web achetez et téléchargez ebook finite math for dummies english edition boutique kindle finite mathematics amazon fr [pdf epub finite math for dummies for dummies math](#) - Aug 03 2022

web feb 16 2020 here is a quick description and cover image of book finite math for dummies for dummies math and science written by mary jane sterling which was published in you can read this before finite math for dummies for dummies math and science pdf epub full download at the bottom

[finite math for dummies english edition ebook amazon de](#) - Apr 11 2023

web apr 4 2018 finite math for dummies tracks to a typical college level course designed for business computer science accounting and other non math majors and is the perfect supplement to help you score high organize and analyze information apply calculation principles to real world problems use models for business calculations

[finite math for dummies 2018 edition open library](#) - Dec 07 2022

web finite math for dummies by mary jane sterling 2018 wiley sons incorporated john edition in english

finite math for dummies wiley - Jul 14 2023

web finite math for dummies tracks to a typical college level course designed for business computer science accounting and

other non math majors and is the perfect supplement to help you score high

finite math for dummies paperback barnes noble - Jul 02 2022

web may 15 2018 finite math for dummies tracks to a typical college level course designed for business computer science accounting and other non math majors and is the perfect supplement to help you score high organize and analyze information

finite math for dummies 1 sterling mary jane amazon com - Mar 10 2023

web apr 4 2018 finite math for dummies kindle edition by sterling mary jane download it once and read it on your kindle device pc phones or tablets use features like bookmarks note taking and highlighting while reading finite math for dummies

finite math for dummies cheat sheet - Apr 30 2022

web mar 8 2022 finite math for dummies explore book buy on amazon when performing the many types of computations found in finite math topics it s helpful to have some numbers notations distributions and listings right at hand

finite math for dummies english edition ebook amazon com mx - Dec 27 2021

web finite math for dummies english edition ebook sterling mary jane amazon com mx libros