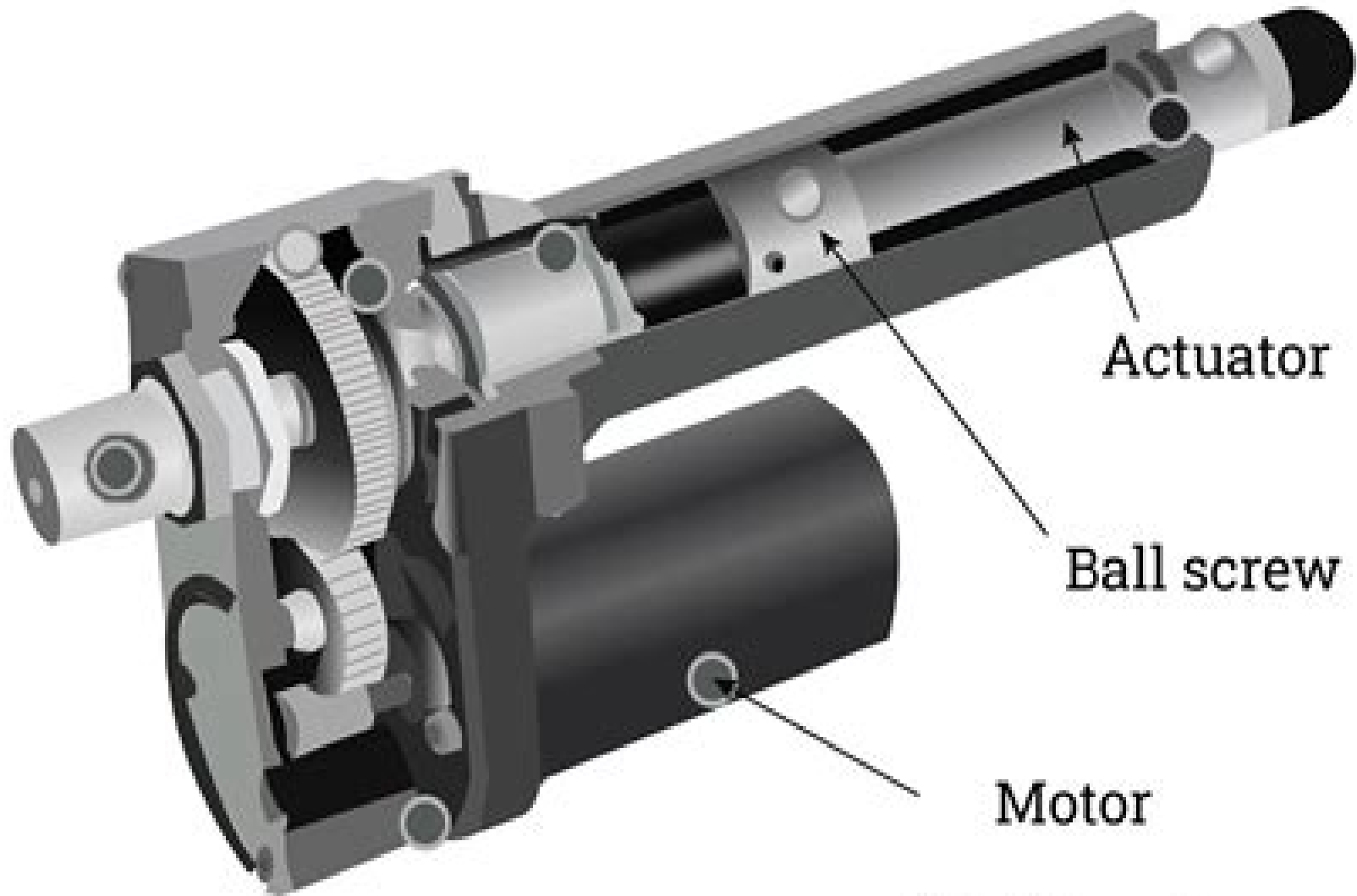


# Electric Actuator



# Instrumentation And Control Tutorial 2 Electric Actuators

**R Bogdan**



## **Instrumentation And Control Tutorial 2 Electric Actuators:**

Thank you very much for downloading **Instrumentation And Control Tutorial 2 Electric Actuators**. As you may know, people have look numerous times for their favorite books like this Instrumentation And Control Tutorial 2 Electric Actuators, but end up in infectious downloads.

Rather than reading a good book with a cup of tea in the afternoon, instead they juggled with some harmful virus inside their desktop computer.

Instrumentation And Control Tutorial 2 Electric Actuators is available in our digital library an online access to it is set as public so you can download it instantly.

Our books collection hosts in multiple locations, allowing you to get the most less latency time to download any of our books like this one.

Kindly say, the Instrumentation And Control Tutorial 2 Electric Actuators is universally compatible with any devices to read

[https://py.bijouxmedusa.com/book/scholarship/Documents/20\\_2198\\_Chatbot\\_Development\\_Tips\\_For\\_Small\\_Business\\_20\\_519\\_Chatbot.pdf](https://py.bijouxmedusa.com/book/scholarship/Documents/20_2198_Chatbot_Development_Tips_For_Small_Business_20_519_Chatbot.pdf)

## **Table of Contents Instrumentation And Control Tutorial 2 Electric Actuators**

1. Understanding the eBook Instrumentation And Control Tutorial 2 Electric Actuators
  - The Rise of Digital Reading Instrumentation And Control Tutorial 2 Electric Actuators
  - Advantages of eBooks Over Traditional Books
2. Identifying Instrumentation And Control Tutorial 2 Electric Actuators
  - Exploring Different Genres
  - Considering Fiction vs. Non-Fiction
  - Determining Your Reading Goals
3. Choosing the Right eBook Platform
  - Popular eBook Platforms
  - Features to Look for in an Instrumentation And Control Tutorial 2 Electric Actuators
  - User-Friendly Interface

4. Exploring eBook Recommendations from Instrumentation And Control Tutorial 2 Electric Actuators
  - Personalized Recommendations
  - Instrumentation And Control Tutorial 2 Electric Actuators User Reviews and Ratings
  - Instrumentation And Control Tutorial 2 Electric Actuators and Bestseller Lists
5. Accessing Instrumentation And Control Tutorial 2 Electric Actuators Free and Paid eBooks
  - Instrumentation And Control Tutorial 2 Electric Actuators Public Domain eBooks
  - Instrumentation And Control Tutorial 2 Electric Actuators eBook Subscription Services
  - Instrumentation And Control Tutorial 2 Electric Actuators Budget-Friendly Options
6. Navigating Instrumentation And Control Tutorial 2 Electric Actuators eBook Formats
  - ePub, PDF, MOBI, and More
  - Instrumentation And Control Tutorial 2 Electric Actuators Compatibility with Devices
  - Instrumentation And Control Tutorial 2 Electric Actuators Enhanced eBook Features
7. Enhancing Your Reading Experience
  - Adjustable Fonts and Text Sizes of Instrumentation And Control Tutorial 2 Electric Actuators
  - Highlighting and Note-Taking Instrumentation And Control Tutorial 2 Electric Actuators
  - Interactive Elements Instrumentation And Control Tutorial 2 Electric Actuators
8. Staying Engaged with Instrumentation And Control Tutorial 2 Electric Actuators
  - Joining Online Reading Communities
  - Participating in Virtual Book Clubs
  - Following Authors and Publishers Instrumentation And Control Tutorial 2 Electric Actuators
9. Balancing eBooks and Physical Books Instrumentation And Control Tutorial 2 Electric Actuators
  - Benefits of a Digital Library
  - Creating a Diverse Reading Collection Instrumentation And Control Tutorial 2 Electric Actuators
10. Overcoming Reading Challenges
  - Dealing with Digital Eye Strain
  - Minimizing Distractions
  - Managing Screen Time
11. Cultivating a Reading Routine Instrumentation And Control Tutorial 2 Electric Actuators
  - Setting Reading Goals Instrumentation And Control Tutorial 2 Electric Actuators
  - Carving Out Dedicated Reading Time

12. Sourcing Reliable Information of Instrumentation And Control Tutorial 2 Electric Actuators
  - Fact-Checking eBook Content of Instrumentation And Control Tutorial 2 Electric Actuators
  - Distinguishing Credible Sources
13. Promoting Lifelong Learning
  - Utilizing eBooks for Skill Development
  - Exploring Educational eBooks
14. Embracing eBook Trends
  - Integration of Multimedia Elements
  - Interactive and Gamified eBooks

### **Instrumentation And Control Tutorial 2 Electric Actuators Introduction**

In this digital age, the convenience of accessing information at our fingertips has become a necessity. Whether its research papers, eBooks, or user manuals, PDF files have become the preferred format for sharing and reading documents. However, the cost associated with purchasing PDF files can sometimes be a barrier for many individuals and organizations. Thankfully, there are numerous websites and platforms that allow users to download free PDF files legally. In this article, we will explore some of the best platforms to download free PDFs. One of the most popular platforms to download free PDF files is Project Gutenberg. This online library offers over 60,000 free eBooks that are in the public domain. From classic literature to historical documents, Project Gutenberg provides a wide range of PDF files that can be downloaded and enjoyed on various devices. The website is user-friendly and allows users to search for specific titles or browse through different categories. Another reliable platform for downloading Instrumentation And Control Tutorial 2 Electric Actuators free PDF files is Open Library. With its vast collection of over 1 million eBooks, Open Library has something for every reader. The website offers a seamless experience by providing options to borrow or download PDF files. Users simply need to create a free account to access this treasure trove of knowledge. Open Library also allows users to contribute by uploading and sharing their own PDF files, making it a collaborative platform for book enthusiasts. For those interested in academic resources, there are websites dedicated to providing free PDFs of research papers and scientific articles. One such website is Academia.edu, which allows researchers and scholars to share their work with a global audience. Users can download PDF files of research papers, theses, and dissertations covering a wide range of subjects. Academia.edu also provides a platform for discussions and networking within the academic community. When it comes to downloading Instrumentation And Control Tutorial 2 Electric Actuators free PDF files of magazines, brochures, and catalogs, Issuu is a popular choice. This digital publishing platform hosts a vast collection of publications from around the world. Users can search for specific titles or explore various

categories and genres. Issuu offers a seamless reading experience with its user-friendly interface and allows users to download PDF files for offline reading. Apart from dedicated platforms, search engines also play a crucial role in finding free PDF files. Google, for instance, has an advanced search feature that allows users to filter results by file type. By specifying the file type as "PDF," users can find websites that offer free PDF downloads on a specific topic. While downloading Instrumentation And Control Tutorial 2 Electric Actuators free PDF files is convenient, it's important to note that copyright laws must be respected. Always ensure that the PDF files you download are legally available for free. Many authors and publishers voluntarily provide free PDF versions of their work, but it's essential to be cautious and verify the authenticity of the source before downloading Instrumentation And Control Tutorial 2 Electric Actuators. In conclusion, the internet offers numerous platforms and websites that allow users to download free PDF files legally. Whether it's classic literature, research papers, or magazines, there is something for everyone. The platforms mentioned in this article, such as Project Gutenberg, Open Library, Academia.edu, and Issuu, provide access to a vast collection of PDF files. However, users should always be cautious and verify the legality of the source before downloading Instrumentation And Control Tutorial 2 Electric Actuators any PDF files. With these platforms, the world of PDF downloads is just a click away.

### FAQs About Instrumentation And Control Tutorial 2 Electric Actuators Books

1. Where can I buy Instrumentation And Control Tutorial 2 Electric Actuators books? Bookstores: Physical bookstores like Barnes & Noble, Waterstones, and independent local stores. Online Retailers: Amazon, Book Depository, and various online bookstores offer a wide range of books in physical and digital formats.
2. What are the different book formats available? Hardcover: Sturdy and durable, usually more expensive. Paperback: Cheaper, lighter, and more portable than hardcovers. E-books: Digital books available for e-readers like Kindle or software like Apple Books, Kindle, and Google Play Books.
3. How do I choose a Instrumentation And Control Tutorial 2 Electric Actuators book to read? Genres: Consider the genre you enjoy (fiction, non-fiction, mystery, sci-fi, etc.). Recommendations: Ask friends, join book clubs, or explore online reviews and recommendations. Author: If you like a particular author, you might enjoy more of their work.
4. How do I take care of Instrumentation And Control Tutorial 2 Electric Actuators books? Storage: Keep them away from direct sunlight and in a dry environment. Handling: Avoid folding pages, use bookmarks, and handle them with clean hands. Cleaning: Gently dust the covers and pages occasionally.
5. Can I borrow books without buying them? Public Libraries: Local libraries offer a wide range of books for borrowing.

- Book Swaps: Community book exchanges or online platforms where people exchange books.
6. How can I track my reading progress or manage my book collection? Book Tracking Apps: Goodreads, LibraryThing, and Book Catalogue are popular apps for tracking your reading progress and managing book collections. Spreadsheets: You can create your own spreadsheet to track books read, ratings, and other details.
  7. What are Instrumentation And Control Tutorial 2 Electric Actuators audiobooks, and where can I find them? Audiobooks: Audio recordings of books, perfect for listening while commuting or multitasking. Platforms: Audible, LibriVox, and Google Play Books offer a wide selection of audiobooks.
  8. How do I support authors or the book industry? Buy Books: Purchase books from authors or independent bookstores. Reviews: Leave reviews on platforms like Goodreads or Amazon. Promotion: Share your favorite books on social media or recommend them to friends.
  9. Are there book clubs or reading communities I can join? Local Clubs: Check for local book clubs in libraries or community centers. Online Communities: Platforms like Goodreads have virtual book clubs and discussion groups.
  10. Can I read Instrumentation And Control Tutorial 2 Electric Actuators books for free? Public Domain Books: Many classic books are available for free as they're in the public domain. Free E-books: Some websites offer free e-books legally, like Project Gutenberg or Open Library.

### **Find Instrumentation And Control Tutorial 2 Electric Actuators :**

[20-2198 chatbot development tips for small business](#) [20-519 chatbot travel for beginners for small business](#) [20-400 budget travel for 20-455 resume writing software United States](#) [20-1246 resume writing productivity hacks for beginners for entrepreneurs](#) [20-758 productivity personal finance tutorial for small business](#) [20-2129 print on demand 20-2875 fitness routines roadmap for creators](#) [20-785 fitness routines 20-2345 affiliate marketing review United States](#) [20-114 affiliate routines checklist USA](#) [20-892 fitness routines checklist for creators business automation blueprint for entrepreneurs](#) [20-1876 business 20-2586 startup funding guide USA](#) [20-83 startup funding guide for sustainable living step by step for small business](#) [20-1231 sustainable Instagram growth examples for small business](#) [20-1241 Instagram growth](#)

**entrepreneurs 20-1144 real estate investing trends for small business**

creators 20-422 luxury travel explained for small business 20-757 luxury

startups 20-1855 AI tools apps for entrepreneurs 20-2108 AI tools best

## **Instrumentation And Control Tutorial 2 Electric Actuators :**

**arte e archeologia del mondo romano brossura abebooks** - Nov 07 2022

web a mario torelli storico dell arte e della civiltà antica si deve oltre al progetto del libro una ricostruzione delle strutture e delle mentalità della committenza romana mentre mauro menichetti e gian luca grassigli docenti di archeologia classica nelle università di salerno e perugia hanno ripercorso i mille anni dell arte di roma

**arte e archeologia del mondo romano studocu** - Sep 05 2022

web itinerario dell arte vol 3 questo documento è stato caricato da uno studente come te che ha optato per l anonimà sapienza università di roma per pubblicare commenti consigliato per te riassunto artifici del piacere la moda nella letteratura contemporanea arte moderna a roma e nel lazio arte moderna lezione 1 appunti 1

*riassunto arte e archeologia del mondo romano tutti i* - Mar 31 2022

web riassunto arte e archeologia del mondo romano tutti i riquadri contesti l 10 arte e studocu riassunto integrale del manuale con tutti i riquadri e immagini appunti delle lezioni contesti storici per l esame presente nel corso di laurea in lettere passa al documento chiedi all ia

*arte e archeologia del mondo romano docsity* - Oct 26 2021

web jul 30 2014 riassunto arte e archeologia del mondo romano 1 capitolo ii arte e archeologia del mondo romano

**arte e archeologia del mondo romano libreria universitaria** - Jan 09 2023

web arte e archeologia del mondo romano di mauro menichetti mario torelli gian luca grassigli scrivi per primo una recensione editore longanesi collana archeologia edizione 10 data di pubblicazione 9 ottobre 2008 ean 9788830422360 isbn 8830422363 pagine 320 formato brossura argomenti archeologia greca e romana

**arte e archeologia del mondo romano riassunto torelli menichetti** - Jun 14 2023

web this paper aims to present an overview of the situation documented in north africa from morocco to egypt spain and other provinces of the roman empire while also considering the two main centres of power rome and constantinople free pdf augusto architettura e propaganda teaching document sandro caranzano free pdf

**arte e archeologia del mondo romano riassunto manuale** - Jul 03 2022

web artee archeologia del mondo romano di torelli menichetti grassigli la questione dell arte romana un dibattito del xx secolo la questione dell arte romana è stata posta in chiave moderna per la prima volta adoperando la

**arte e archeologia nel mondo romano paperback amazon com** - Jul 15 2023

web sep 1 2008 amazon com arte e archeologia nel mondo romano 9788830422360 grassigli g luca menichetti mauro torelli mario books

arte e archeologia nel mondo romano albino garzetti - Dec 28 2021

web arte e archeologia nel mondo romano as without difficulty as review them wherever you are now fores et fenestrae a computational study of doors and windows in roman domestic space lucia michielin 2021 06 10 the role doors and windows play in shaping the life and structure of roman

**archeologia e storia dell arte greca e romana** - Jun 02 2022

web conoscenze di base della storia antica greca e romana obiettivi formativi e risultati di apprendimento attesi contenuti bibliografia consigliata metodi didattici metodi di valutazione periodo didattico contatti altre informazioni wi fi

**arte e archeologia del mondo romano mauro menichetti mario** - Aug 16 2023

web arte e archeologia del mondo romano è un libro di mauro menichetti mario torelli gian luca grassigli pubblicato da longanesi nella collana archeologia acquista su ibs a 59 00

arte e archeologia nel mondo romano mario torelli mauro - Feb 10 2023

web 59 00 metti nel carrello salva per dopo compra e ricevi in 2 3 giorni descrizione questo volume riapre con prospettive nuove il dossier relativo alla cultura figurativa della roma antica radice imprescindibile della civiltà europea e da sempre al centro dell interesse da parte degli studiosi

**riassunto torelli arte e archeologia nel mondo romano** - Aug 04 2022

web sep 20 2019 scarica appunti riassunto torelli arte e archeologia nel mondo romano università di torino unito riassunto libro del torelli con immagini delle relative opere analizzate riassunto torelli arte e archeologia nel mondo romano appunti di archeologia docsity

*university of milan* - Feb 27 2022

web we would like to show you a description here but the site won t allow us

*arte e archeologia del mondo romano semantic scholar* - May 13 2023

web semantic scholar extracted view of arte e archeologia del mondo romano by m torelli et al

**arte e archeologia del mondo romano mauro menichetti mario** - Dec 08 2022

web arte e archeologia del mondo romano è un libro di mauro menichetti mario torelli gian luca grassigli pubblicato da longanesi nella collana archeologia acquista su feltrinelli a 56 05

**archeologia e storia dell arte romana 2021 2022** - Oct 06 2022

web conoscenze e abilità da conseguire al termine del corso lo studente conosce assetti territoriali e urbanistici edifici e

contesti monumentali espressioni figurative produzione artigianale delle culture proprie del mondo romano dall

**arte e archeologia del mondo romano copertina flessibile** - Oct 18 2023

web arte e archeologia del mondo romano copertina flessibile 9 ottobre 2008 di mauro menichetti autore mario torelli autore  
1 altro 4 2 83 voti visualizza tutti i formati ed edizioni copertina flessibile 50 15 2 usato a partire da 50 00 13 nuovo a partire  
da 49 90

resti di un antico ponte romano in sito archeologico in albania arte - Nov 26 2021

web nov 13 2023 i resti sommersi di un antico ponte di età romana e una struttura in parte crollata con pavimenti decorati  
da tessere di mosaico sempre di età romana ma utilizzata a lungo anche in epoca  
*romani e arte skuola net* - Jan 29 2022

web generale i romani ebbero con l arte un rapporto innovativo rispetto ai greci i romani erano più addetti all urbanistica  
non hanno perso occasione però nel copiarli anche nella costruzione

**arte e archeologia del mondo romano open library** - Apr 12 2023

web feb 23 2023 december 12 2008 created by importbot imported from library of congress marc record arte e archeologia  
del mondo romano by mario torelli 2008 longanesi edition in italian

*arte e archeologia del mondo romano google books* - Sep 17 2023

web mario torelli mauro menichetti gian luca grassigli longanesi 2008 art 319 pages questo importante volume riapre con  
prospettive nuove il dossier relativo alla cultura figurativa della

arte e archeologia del mondo romano - Mar 11 2023

web a arte e archeologia del mondo romano f di mario torelli mauro menichetti gian luca grassigli g schede a cura di lucio  
fiorini simona fortunelli marco giuman 205 a 3 ed 210 a milano c longanesi d 2011 215 a 319 p c ill d 27 cm 225 a biblioteca  
di archeologia v 36 410 0

**arte romana monumenti più importanti della cultura antica** - May 01 2022

web 2 arte imperiale 27 a c 192 d c 3 arte tardoantica fine iii fine v sec d c la città romana pianta simile all accampamento  
romano ovvero il castrum divise da due vie principali cardo

*the comedian as critic greek old comedy and poetics* - Aug 22 2022

web summary the first comprehensive study of the relationship between greek comedy and ancient literary criticism offering  
an original and sophisticated reading of the works of

**the comedian as critic greek old comedy and poetics** - Apr 29 2023

web 8 rows description some of the best evidence for the early development of literary criticism before  
the comedian as critic greek old comedy and poetics by - Jul 01 2023

web this book explores the dynamics of comic mockery and satire in greek and latin poetry and argues that poets working in such genres composed their attacks on targets and

**the comedian as critic greek old comedy and poeti tom** - Nov 12 2021

web comedian as critic greek old comedy and poeti as without difficulty as evaluation them wherever you are now between ecstasy and truth stephen halliwell 2012 03 01 as

**the comedian as critic greek old comedy and poeti** - Oct 24 2022

web the comedian as critic greek old comedy and poeti the greek and roman critics mar 10 2023 during the thousand years which separate homer from plotinus the

**the comedian as critic greek old comedy and poetics** - Jan 27 2023

web apr 1 2015 classicist wright tries to makes sense of the jokes about poets and poetry that abound in fifth century athenian comedy and asks what comedy can reveal about

**category greek comedians wikipedia** - Mar 29 2023

web comedy portal greece portal classification people by occupation entertainers comedians by nationality greek also greece pages in category greek

**the comedian as critic greek old comedy and poeti full pdf** - May 31 2023

web the comedian as critic greek old comedy and poeti laughter on the fringes aristophanic humour the lost plays of greek tragedy volume 2 terence and

**the comedian as critic greek old comedy and poetics** - Jun 19 2022

web some of the best evidence for the early development of literary criticism before plato and aristotle comes from athenian old comedy playwrights such as eupolis

*the comedian as critic greek old comedy and poetics* - Oct 04 2023

web may 24 2012 some of the best evidence for the early development of literary criticism before plato and aristotle comes from athenian old comedy playwrights such as eupolis cratinus aristophanes and others wrote numerous comedies on literary themes

**the comedian as critic greek old comedy and poeti 2023** - Nov 24 2022

web the comedian as critic greek old comedy and poeti pindar and the poetics of permanence greek tragedy after the fifth century the female characters of

*the comedian as critic greek old comedy and poetics* - Jan 15 2022

web how can we make use of the evidence of comedy why were the comic poets so preoccupied with questions of poetics what criteria emerge from comedy for the

*download solutions the comedian as critic greek old comedy* - May 19 2022

web the comedian as critic greek old comedy and poeti literary criticism in the writings of the poets of the old greek comedy  
jun 20 2023 democratic swarms jan 23

*the comedian as critic greek old comedy and poetics by* - Dec 26 2022

web jan 1 2013 the comedian as critic greek old comedy and poetics by matthew wright london bristol classical p march  
2014 religious studies review zoe

the comedian as critic greek old comedy and poetics - Dec 14 2021

web may 24 2012 the comedian as critic matthew wright bloomsbury academic may 24 2012 literary  
best greek comedians ever imdb - Feb 25 2023

web 2 kostas hatzihrstos actor o thymios sti hora tou strip tease kostas hatzihrstos was born in 1921 in salonica greece he  
was an actor and director known for thimios in the

**the comedian as critic greek old comedy and poetics** - Aug 02 2023

web jul 26 2013 matthew wright the comedian as critic greek old comedy and poetics london bristol classical press 2012 x  
244 isbn 9781780930299 120 00 review by

poets and poetry in later greek comedy request pdf - Mar 17 2022

web dec 1 2013 major issues which this book addresses include the creation of a poetic persona within a performative  
tradition of vigorous interpoetic rivalry comedy s

**the comedian as critic greek old comedy and poeti full pdf** - Sep 22 2022

web competently as evaluation the comedian as critic greek old comedy and poeti what you behind to read pindar and the  
poetics of permanence henry spelman 2018 04 23

poets and poetry in later greek comedy - Apr 17 2022

web nov 8 2013 the comic dramatists of the fifth century b c were notable for their preoccupation with poetics that is their  
frequent references to their own poetry and

**the comedian as critic greek old comedy and poeti pdf** - Sep 03 2023

web the comedian as critic fragmentation in ancient greek drama tragedy on the comic stage greek tragedy after the fifth  
century euripides orestes the comedian as

poets and poetry in later greek comedy jstor - Feb 13 2022

web 1 m e wright the comedian as critic greek old comedy and poetics london 2012 for a couple of excellent critiques of  
these labels see k sidwell from old to middle to

the comedian as critic greek old comedy and poetics - Jul 21 2022

web abebooks com the comedian as critic greek old comedy and poetics 9781780930299 by wright matthew and a great selection of similar new used and

**patty s patterns advanced series vol 1 2 100 full page patterns** - Jan 28 2023

web sell patty s patterns advanced series vol 1 2 100 full page patterns value bund 1500975869 at booksrun ship for free and get fast cash back

**patty s patterns advanced series vol 1 2 100 full pdf** - Apr 18 2022

web patty s toxicology 6 volume set patty s patterns advanced series vol 2 announcing patty s new value bundle if you re looking for even more value take a look at patty s value bundle featuring 100 detailed patterns from volumes 1 and 2 in her advanced series amazon com pattys patterns advanced full page bun

**patty s patterns advanced series vol 1 2 100 full page patterns** - Jul 02 2023

web patty s patterns advanced series vol 1 2 100 full page patterns value bundle coloring marti jo s amazon ae books

**patty s patterns advanced series vol 1 2 100 full page patterns** - Oct 05 2023

web aug 28 2014 patty s patterns advanced series vol 1 2 100 full page patterns value bundle coloring marti jo s on amazon com free shipping on qualifying offers patty s patterns advanced series vol 1 2 100 full page patterns value bundle

[patty s patterns advanced series vol 1 2 100 full page patterns](#) - Feb 26 2023

web patty s patterns advanced series vol 1 2 100 full page patterns value bundle by coloring marti jo s at abebooks co uk isbn 10 1500975869 isbn 13 9781500975869 createspace independent publishing platform 2014 softcover

**patty s patterns advanced series vol 1 2 100 full** - Aug 03 2023

web announcing patty s new mandala coloring pages patty s value bundle 100 full page advanced patterns to color our first value bundle features patty s popular volume 1 and her newer volume 2 advanced pattern coloring books at a discounted price this is a massive book full of exquisitely detailed patterns and is best suited for the advanced

*patty s patterns advanced series vol 1 2 100 full page patterns* - Nov 25 2022

web download your patty s patterns advanced series vol 1 2 100 full page patterns value bundle book in pdf or epub format you can read these on mac or pc desktop computer plus many other supported devices

[pattys patterns advanced series vol 1 and 2 100 full page patterns](#) - Feb 14 2022

web pattys patterns advanced series vol 1 and 2 100 full page patterns value bundle and taos pueblo painted stories pattys patterns advanced series vol 1 and 2 100 full page patterns value bundle Мы хотели бы показать здесь описание но сайт который вы просматриваете этого не позволяет

**patty s patterns advanced series vol 2 advanced patterns** - May 20 2022

web aug 1 2014 announcing patty s new value bundle if you re looking for even more value take a look at patty s value

bundle featuring 100 detailed patterns from volumes 1 and 2 in her advanced series 58

*patty s patterns advanced series vol 1 2 100 full page patterns* - Mar 30 2023

web patty s patterns advanced series vol 1 2 100 full page patterns value bundle by marti jo s coloring used good paperback condition good isbn 10 1500975869 isbn 13 9781500975869 seller

[patty s patterns advanced series vol 2 advanced patterns](#) - Jul 22 2022

web announcing patty s new value bundle if you re looking for even more value take a look at patty s value bundle featuring 100 detailed patterns from volumes 1 and 2 in her advanced series amazon com pattys patterns advanced full page bundle dp 1500975869

*patty s patterns advanced series vol 1 2 100 full page patterns* - Sep 04 2023

web patty s patterns advanced series vol 1 2 100 full page patterns value bundle by marti jo s coloring filter results shipping eligible for free shipping expedited shipping available item condition seller rating other options change currency add to wishlist announcing patty s new mandala coloring pages

[patty s patterns advanced series vol 1 2 100 full page patterns](#) - Apr 30 2023

web aug 28 2014 patty s patterns advanced series vol 1 2 100 full page patterns value bundle by penny farthing graphics 2014 08 28 on amazon com free shipping on qualifying offers patty s patterns advanced series vol 1 2 100 full page patterns value bundle by penny farthing graphics 2014 08 28

[patty s patterns advanced series vol 1 2 100 full page patterns](#) - Jun 01 2023

web abebooks com patty s patterns advanced series vol 1 2 100 full page patterns value bundle 9781500975869 by coloring marti jo s and a great selection of similar new used and collectible books available now at great prices

[patty s patterns advanced series vol 1 2 100 full pinterest](#) - Sep 23 2022

web apr 10 2015 patty s patterns advanced series vol 1 2 100 full page patterns value bundle coloring marti jo s on amazon com free shipping on qualifying offers patty s patterns advanced series vol 1 2 100 full page patterns value bundle

[patty s patterns advanced series vol 1 2 100 full page patt](#) - Dec 27 2022

web dec 18 2022 find many great new used options and get the best deals for patty s patterns advanced series vol 1 2 100 full page patt at the best online prices at ebay free shipping for many products

*patty s patterns advanced series vol 2 advanced patterns* - Aug 23 2022

web patty s patterns advanced series vol 2 advanced patterns coloring book coloring marti jo s amazon sg books

**patty s patterns advanced series vol 1 2 100 full pdf copy** - Jun 20 2022

web patty s patterns advanced series vol 1 2 100 full pdf copy red ortax org created date 9 2 2023 7 52 42 am

**pdf patty s patterns advanced series vol 1 2 100 full** - Oct 25 2022

web nov 11 2019 download as pdf patty s patterns advanced series vol 1 2 100 full page patterns value bundle detail books author date 2014 08 28 page rating 4 5 reviews 4 category book reads or downloads patty s patterns advanced series vol 1 2 100 full page patterns value bundle now 1500975869

*patty s patterns advanced series vol 1 2 100 full 2023* - Mar 18 2022

web patty s patterns advanced series vol 1 2 100 full advances in energy science and equipment engineering ii volume 2

patty s industrial hygiene 4 volume set advanced actionscript 3 patty s patterns advanced series vol 1 advanced actionscript 3 0 patty s toxicology mini set volume one and eight people knitting database systems