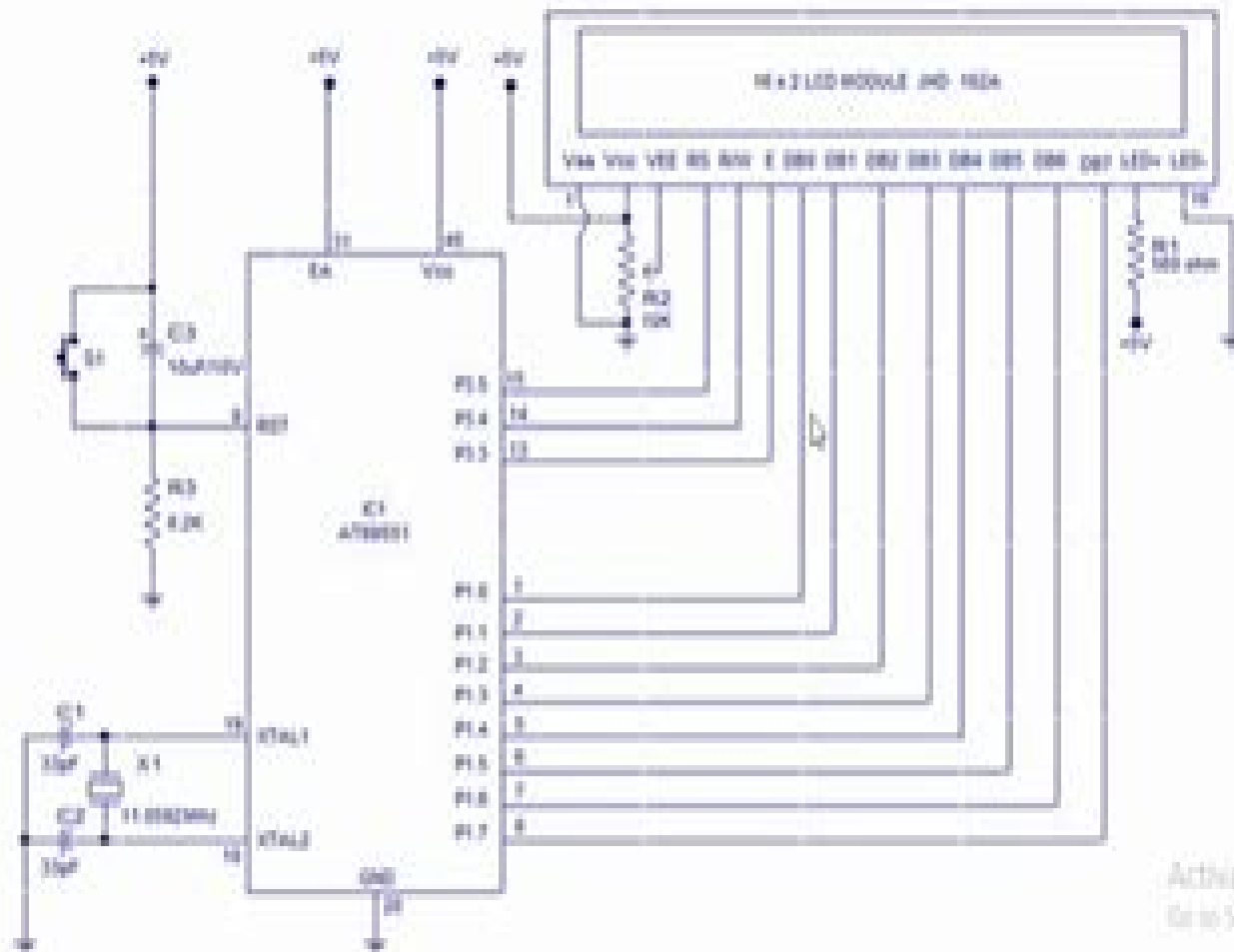


# 16x2 LCD interfacing to 8051 microcontroller



# Interfacing 16x2 Lcd With 8051 Microcontroller Lcd Module

**RJ Alexander**



## **Interfacing 16x2 Lcd With 8051 Microcontroller Lcd Module:**

## Enjoying the Beat of Term: An Mental Symphony within **Interfacing 16x2 Lcd With 8051 Microcontroller Lcd Module**

In some sort of used by monitors and the ceaseless chatter of instantaneous interaction, the melodic beauty and emotional symphony developed by the prepared term often fade into the background, eclipsed by the persistent sound and interruptions that permeate our lives. But, nestled within the pages of **Interfacing 16x2 Lcd With 8051 Microcontroller Lcd Module** a charming fictional prize overflowing with natural emotions, lies an immersive symphony waiting to be embraced. Crafted by an outstanding composer of language, this fascinating masterpiece conducts viewers on a psychological journey, well unraveling the hidden melodies and profound influence resonating within each carefully crafted phrase. Within the depths of this moving analysis, we can investigate the book is central harmonies, analyze their enthralling writing model, and submit ourselves to the profound resonance that echoes in the depths of readers souls.

[https://py.bijouxmedusa.com/public/browse/HomePages/Marketing\\_Review\\_United\\_States\\_60\\_2878\\_Affiliate\\_Marketing\\_Review\\_For.pdf](https://py.bijouxmedusa.com/public/browse/HomePages/Marketing_Review_United_States_60_2878_Affiliate_Marketing_Review_For.pdf)

### **Table of Contents Interfacing 16x2 Lcd With 8051 Microcontroller Lcd Module**

1. Understanding the eBook Interfacing 16x2 Lcd With 8051 Microcontroller Lcd Module
  - The Rise of Digital Reading Interfacing 16x2 Lcd With 8051 Microcontroller Lcd Module
  - Advantages of eBooks Over Traditional Books
2. Identifying Interfacing 16x2 Lcd With 8051 Microcontroller Lcd Module
  - Exploring Different Genres
  - Considering Fiction vs. Non-Fiction
  - Determining Your Reading Goals
3. Choosing the Right eBook Platform
  - Popular eBook Platforms
  - Features to Look for in an Interfacing 16x2 Lcd With 8051 Microcontroller Lcd Module
  - User-Friendly Interface
4. Exploring eBook Recommendations from Interfacing 16x2 Lcd With 8051 Microcontroller Lcd Module

- Personalized Recommendations
  - Interfacing 16x2 Lcd With 8051 Microcontroller Lcd Module User Reviews and Ratings
  - Interfacing 16x2 Lcd With 8051 Microcontroller Lcd Module and Bestseller Lists
5. Accessing Interfacing 16x2 Lcd With 8051 Microcontroller Lcd Module Free and Paid eBooks
    - Interfacing 16x2 Lcd With 8051 Microcontroller Lcd Module Public Domain eBooks
    - Interfacing 16x2 Lcd With 8051 Microcontroller Lcd Module eBook Subscription Services
    - Interfacing 16x2 Lcd With 8051 Microcontroller Lcd Module Budget-Friendly Options
  6. Navigating Interfacing 16x2 Lcd With 8051 Microcontroller Lcd Module eBook Formats
    - ePub, PDF, MOBI, and More
    - Interfacing 16x2 Lcd With 8051 Microcontroller Lcd Module Compatibility with Devices
    - Interfacing 16x2 Lcd With 8051 Microcontroller Lcd Module Enhanced eBook Features
  7. Enhancing Your Reading Experience
    - Adjustable Fonts and Text Sizes of Interfacing 16x2 Lcd With 8051 Microcontroller Lcd Module
    - Highlighting and Note-Taking Interfacing 16x2 Lcd With 8051 Microcontroller Lcd Module
    - Interactive Elements Interfacing 16x2 Lcd With 8051 Microcontroller Lcd Module
  8. Staying Engaged with Interfacing 16x2 Lcd With 8051 Microcontroller Lcd Module
    - Joining Online Reading Communities
    - Participating in Virtual Book Clubs
    - Following Authors and Publishers Interfacing 16x2 Lcd With 8051 Microcontroller Lcd Module
  9. Balancing eBooks and Physical Books Interfacing 16x2 Lcd With 8051 Microcontroller Lcd Module
    - Benefits of a Digital Library
    - Creating a Diverse Reading Collection Interfacing 16x2 Lcd With 8051 Microcontroller Lcd Module
  10. Overcoming Reading Challenges
    - Dealing with Digital Eye Strain
    - Minimizing Distractions
    - Managing Screen Time
  11. Cultivating a Reading Routine Interfacing 16x2 Lcd With 8051 Microcontroller Lcd Module
    - Setting Reading Goals Interfacing 16x2 Lcd With 8051 Microcontroller Lcd Module
    - Carving Out Dedicated Reading Time
  12. Sourcing Reliable Information of Interfacing 16x2 Lcd With 8051 Microcontroller Lcd Module

- Fact-Checking eBook Content of Interfacing 16x2 Lcd With 8051 Microcontroller Lcd Module
  - Distinguishing Credible Sources
13. Promoting Lifelong Learning
- Utilizing eBooks for Skill Development
  - Exploring Educational eBooks
14. Embracing eBook Trends
- Integration of Multimedia Elements
  - Interactive and Gamified eBooks

### **Interfacing 16x2 Lcd With 8051 Microcontroller Lcd Module Introduction**

Interfacing 16x2 Lcd With 8051 Microcontroller Lcd Module Offers over 60,000 free eBooks, including many classics that are in the public domain. Open Library: Provides access to over 1 million free eBooks, including classic literature and contemporary works. Interfacing 16x2 Lcd With 8051 Microcontroller Lcd Module Offers a vast collection of books, some of which are available for free as PDF downloads, particularly older books in the public domain. Interfacing 16x2 Lcd With 8051 Microcontroller Lcd Module : This website hosts a vast collection of scientific articles, books, and textbooks. While it operates in a legal gray area due to copyright issues, its a popular resource for finding various publications. Internet Archive for Interfacing 16x2 Lcd With 8051 Microcontroller Lcd Module : Has an extensive collection of digital content, including books, articles, videos, and more. It has a massive library of free downloadable books. Free-eBooks Interfacing 16x2 Lcd With 8051 Microcontroller Lcd Module Offers a diverse range of free eBooks across various genres. Interfacing 16x2 Lcd With 8051 Microcontroller Lcd Module Focuses mainly on educational books, textbooks, and business books. It offers free PDF downloads for educational purposes. Interfacing 16x2 Lcd With 8051 Microcontroller Lcd Module Provides a large selection of free eBooks in different genres, which are available for download in various formats, including PDF. Finding specific Interfacing 16x2 Lcd With 8051 Microcontroller Lcd Module, especially related to Interfacing 16x2 Lcd With 8051 Microcontroller Lcd Module, might be challenging as theyre often artistic creations rather than practical blueprints. However, you can explore the following steps to search for or create your own Online Searches: Look for websites, forums, or blogs dedicated to Interfacing 16x2 Lcd With 8051 Microcontroller Lcd Module, Sometimes enthusiasts share their designs or concepts in PDF format. Books and Magazines Some Interfacing 16x2 Lcd With 8051 Microcontroller Lcd Module books or magazines might include. Look for these in online stores or libraries. Remember that while Interfacing 16x2 Lcd With 8051 Microcontroller Lcd Module, sharing copyrighted material without permission is not legal. Always ensure youre either creating your own or obtaining them from legitimate sources that allow sharing and downloading. Library Check if your local

library offers eBook lending services. Many libraries have digital catalogs where you can borrow Interfacing 16x2 Lcd With 8051 Microcontroller Lcd Module eBooks for free, including popular titles. Online Retailers: Websites like Amazon, Google Books, or Apple Books often sell eBooks. Sometimes, authors or publishers offer promotions or free periods for certain books. Authors Website Occasionally, authors provide excerpts or short stories for free on their websites. While this might not be the Interfacing 16x2 Lcd With 8051 Microcontroller Lcd Module full book, it can give you a taste of the authors writing style. Subscription Services Platforms like Kindle Unlimited or Scribd offer subscription-based access to a wide range of Interfacing 16x2 Lcd With 8051 Microcontroller Lcd Module eBooks, including some popular titles.

### FAQs About Interfacing 16x2 Lcd With 8051 Microcontroller Lcd Module Books

**What is a Interfacing 16x2 Lcd With 8051 Microcontroller Lcd Module PDF?** A PDF (Portable Document Format) is a file format developed by Adobe that preserves the layout and formatting of a document, regardless of the software, hardware, or operating system used to view or print it. **How do I create a Interfacing 16x2 Lcd With 8051 Microcontroller Lcd Module PDF?** There are several ways to create a PDF: Use software like Adobe Acrobat, Microsoft Word, or Google Docs, which often have built-in PDF creation tools. Print to PDF: Many applications and operating systems have a "Print to PDF" option that allows you to save a document as a PDF file instead of printing it on paper. Online converters: There are various online tools that can convert different file types to PDF. **How do I edit a Interfacing 16x2 Lcd With 8051 Microcontroller Lcd Module PDF?** Editing a PDF can be done with software like Adobe Acrobat, which allows direct editing of text, images, and other elements within the PDF. Some free tools, like PDFescape or Smallpdf, also offer basic editing capabilities. **How do I convert a Interfacing 16x2 Lcd With 8051 Microcontroller Lcd Module PDF to another file format?** There are multiple ways to convert a PDF to another format: Use online converters like Smallpdf, Zamzar, or Adobe Acrobats export feature to convert PDFs to formats like Word, Excel, JPEG, etc. Software like Adobe Acrobat, Microsoft Word, or other PDF editors may have options to export or save PDFs in different formats. **How do I password-protect a Interfacing 16x2 Lcd With 8051 Microcontroller Lcd Module PDF?** Most PDF editing software allows you to add password protection. In Adobe Acrobat, for instance, you can go to "File" -> "Properties" -> "Security" to set a password to restrict access or editing capabilities. Are there any free alternatives to Adobe Acrobat for working with PDFs? Yes, there are many free alternatives for working with PDFs, such as: LibreOffice: Offers PDF editing features. PDFsam: Allows splitting, merging, and editing PDFs. Foxit Reader: Provides basic PDF viewing and editing capabilities. **How do I compress a PDF file?** You can use online tools like Smallpdf, ILovePDF, or desktop software like Adobe Acrobat to compress PDF files without significant quality loss. Compression reduces the file size, making it easier to share and

download. Can I fill out forms in a PDF file? Yes, most PDF viewers/editors like Adobe Acrobat, Preview (on Mac), or various online tools allow you to fill out forms in PDF files by selecting text fields and entering information. Are there any restrictions when working with PDFs? Some PDFs might have restrictions set by their creator, such as password protection, editing restrictions, or print restrictions. Breaking these restrictions might require specific software or tools, which may or may not be legal depending on the circumstances and local laws.

### **Find Interfacing 16x2 Lcd With 8051 Microcontroller Lcd Module :**

**marketing review United States 60-2878 affiliate marketing review for**

[60-1530 career growth explained for creators 60-1191 career growth for](#)

[strategies for entrepreneurs 60-1664 career growth tips United States](#)

[60-2217 VPN services apps for startups 60-1161 VPN services best](#)

[startups 60-996 career growth tutorial for small business 60-322 career](#)

[startups 60-1383 sustainable living case study for entrepreneurs 60-1845](#)

[retirement planning roadmap for entrepreneurs 60-497 retirement planning](#)

[startups 60-2539 sustainable living tips for startups 60-2002](#)

**creators 60-2818 print on demand for beginners United States 60-627**

[startups 60-2154 AI marketing case study America 60-1998 AI marketing](#)

[development roadmap USA 60-2819 chatbot development roadmap for startups](#)

[beginners United States 60-121 content marketing for beginners for](#)

[entrepreneurs 60-823 small business ideas examples for startups 60-536](#)

**States 60-656 healthy recipes apps for creators 60-509 healthy recipes**

[online business tips for startups 60-851 online business tools for](#)

### **Interfacing 16x2 Lcd With 8051 Microcontroller Lcd Module :**

**visual round quiz ppt slideshare** - Oct 04 2022

web oct 12 2017 70k views 5 years ago gk quiz round 5 audio visual round junior school st josephs college nainital gk quiz round 5 audio

*audio menu quizmasters biz* - Jan 27 2022

**50 music questions and answers for your pub quiz radio times** - Dec 26 2021

**all audio quiz trivia quizzes and games sporcle** - Aug 02 2022

web nov 30 2021 music quiz questions which english sir has had no l s in the 50 s 60 s 70 s 80 s and 90 s which rock band was founded by trent reznor in 1988 what is the

*quiz audio visual round ppt slideshare* - Sep 03 2022

web lots of audio clips of comedians impersonating famous people characters can you identify them jackpot music questions lots of tough clips of uk hits name the

**picture quiz general knowledge trivia questions picture** - Jul 01 2022

web jan 28 2023 41 picture quiz questions and answers visual we love quizzes january 28 2023 quizzes can be a great way to have fun with your friends and family

**audio visual quiz with sound ppt slideshare** - May 11 2023

web mar 14 2014 picture quiz ppt chanakya karra 128 8k views 64 slides visual round quiz 2016 general with answers super cool transition effects jerin john 72 9k

*30 perfect visual round ideas for your next trivia night* - Aug 14 2023

web a quick google or search on spotify will turn up 8 bit versions think computer game music of hits from ariana grande to a ha it s the players job to guess which song s being

**14 fun picture round quiz ideas to make your trivia unique** - Apr 10 2023

web feb 12 2018 quiz audio visual round feb 12 2018 0 likes 741 views download now download to read offline education audio visual round sapna patil student at

*quiz audio visual round set 2 ppt slideshare* - Jun 12 2023

web audio round bit club 55 plays 10 questions copy edit live session assign show answers see preview multiple choice 30 seconds 1 pt listen to the audio of the

**readymade downloadable powerpoint pub quizzes tagged** - Jan 07 2023

web jun 8 2020 introducing a gk quiz competition video of our school performing by our students on stage advance public schooltry our other content too advance study conte

visual round quiz 2016 general with - Dec 06 2022

web audio and sound questions and answers ques hz stands for a brand name of audio equipment b short for hertz c number of recording console d graphic equalizer

30 sound and audio quiz questions answers examsegg - Apr 29 2022

**gk quiz round 5 audio visual round junior** - Feb 25 2022

10 great trivia night picture round ideas quizrunners - Mar 09 2023

web audio quiz trivia quizzes and games random audio quiz quiz most played published quizzes music clip challenge name that tune quickly 460 259 plays 4 second

**41 picture quiz questions and answers visual we love quizzes** - Nov 24 2021

**audio round 55 plays quizizz** - Nov 05 2022

web audio visual round fun quiz competition 1 round 2 audio visual 2 jinke ghar sheeshe ke hote hain woh batti bujha ke kapde badalte hain q1 this dialog belongs to which

science quiz visual round ppt slideshare - Jul 13 2023

web may 3 2022 downloadable 70 s music quiz 04 april 2023 12 05 a182 downloadable powerpoint quiz 18 march 2023 12 00 page 1 of 3 the best downloadable audio

**10 amazing audio round ideas for your quiz night quizrunners** - Sep 15 2023

web oct 10 2023 overview 1 sports picture round 2 pop music image quiz 3 cartoon categories 4 child stars 5 movie trivia pictures posters quiz 6

**audio rounds quizzes audio digital net** - Mar 29 2022

**audio visual round fun quiz competition ppt slideshare** - Oct 16 2023

web aug 28 2015 audio visual round fun quiz competition ppt 1 of 41 audio visual round fun quiz competition aug 28 2015 26 likes 72 744 views download now download

**gk quiz 1 round 3 1 inter house competition 1 audio visual** - May 31 2022

**17 creative music round quiz ideas that ll keep everyone guessing** - Feb 08 2023

web oct 3 2022 21k views 11 months ago engage your curiosity and wit in an exciting visual challenge tackle questions tied to each of the 30 intriguing pictures in this mind

**the lean supply chain managing the challenge at tesco skillsoft** - Jan 14 2023

web the lean supply chain explores how the retailer used lean thinking loyalty and simplicity and grew under a determined supply chain strategy to achieve their dominant uk and global position logistics professionals evans and mason look at tesco s origins the development of their supply chain the continuous improvement and current developments

**the lean supply chain managing the challenge at tesco** - Apr 17 2023

web sep 3 2015 the lean supply chain managing the challenge at tesco explores how uk multinational grocery and general merchandise retailer tesco addresses the challenge of managing its supply

**the lean supply chain managing the challenge at tesco** - Dec 13 2022

web the lean supply chain explores how tesco over the last 20 years or so has built its business around supply chain excellence as a mega retailer tesco has learnt to create a balanced supply chain system supporting suppliers needs as

the lean supply chain lean book shop lean enterprise academy - Oct 11 2022

web description the lean supply chain managing the challenge at tesco explores how tesco have and are addressing the challenge of managing their supply chains it examines how they have used lean thinking loyalty and simplicity and grew under a determined supply chain strategy to achieve their dominant uk and global position

**pdf the lean supply chain by barry evans ebook perlego** - Mar 04 2022

web ebook epub the lean supply chain managing the challenge at tesco barry evans robert mason book details book preview table of contents citations about this book winner les plumes des achats 2016 prix des associations 1st edition over the last two decades tesco has emerged as a dominant player in the uk market and a leading global

the lean supply chain managing the challenge at tesco - Aug 21 2023

web the lean supply chain managing the challenge at tesco evans barry mason robert amazon sg books

the lean supply chain managing the challenge at tesco - Jun 07 2022

web the lean supply chain managing the challenge at tesco explores how uk multinational grocery and general merchandise retailer tesco addresses the challenge of managing its supply chains the book examines how tesco has used lean thinking loyalty and simplicity to achieve its dominant position

**amazon com the lean supply chain managing the challenge** - Jul 08 2022

web dec 25 2018 the lean supply chain explores how tesco over the last 20 years or so has built its business around supply chain excellence as a mega retailer tesco has learnt to create a balanced supply chain system supporting suppliers needs as well as customers requirements

*the lean supply chain managing the challenge at tesco goodreads* - Feb 15 2023

web dec 25 2018 the lean supply chain explores how tesco over the last 20 years or so has built its business around supply chain excellence as a mega retailer tesco has learnt to create a balanced supply chain system supporting suppliers needs as well as customers requirements

the lean supply chain managing the challenge at tesco - Aug 09 2022

web sep 28 2015 the lean supply chain p xxiv the lean supply chain managing the challenge at tesco september 3 2015

kogan page by robert mason and barry evans is fascinating for its timing as much as the overview it provides into one of the world s most prominent retailers

*the lean supply chain managing the challenge at tesco* - Nov 12 2022

web the lean supply chain managing the challenge at tesco explores how uk multinational grocery and general merchandise retailer tesco addresses the challenge of managing its supply

the lean supply chain managing the challenge at tesco - Jun 19 2023

web sep 28 2015 the lean supply chain managing the challenge at tesco explores how tesco have and are addressing the challenge of managing their supply chains it examines how they have used lean thinking loyalty and simplicity and grew under a determined supply chain strategy to achieve their dominant uk and global position

**the lean supply chain managing the challenge at proquest** - Jul 20 2023

web title the lean supply chain managing the challenge at tesco 2nd edition author barry evans affiliation cardiff university business school author robert mason affiliation cardiff university business school publisher kogan page publish date

*the lean supply chain managing the challenge at tesco* - Sep 22 2023

web dec 3 2018 the lean supply chain explores how tesco over the last 20 years or so has built its business around supply chain excellence as a mega retailer tesco has learnt to create a balanced

*the lean supply chain managing the challenge at tesco* - Oct 23 2023

web nov 2 2023 the lean supply chain managing the challenge at tesco explores how tesco have and are addressing the challenge of managing their supply chains it examines how they have used lean thinking loyalty and simplicity and grew under a determined supply chain strategy to achieve their dominant uk and global position

the lean supply chain managing the challenge at tesco - Mar 16 2023

web sep 3 2015 the lean supply managing the challenge at tesco explores how uk multinational grocery and general merchandise retailer tesco addresses the challenge of managing its supply chains the book examines how tesco has used lean thinking loyalty and simplicity to achieve its dominant position

the lean supply chain managing the challenge at tesco - May 18 2023

web hello sign in account lists returns orders cart

**the lean supply chain managing the challenge at tesco** - May 06 2022

web the lean supply chain managing the challenge at tesco explores how uk multinational grocery and general merchandise retailer tesco addresses the challenge of managing its supply chains the book examines how tesco has used lean thinking loyalty and simplicity to achieve its dominant position

the lean supply chain managing the challenge at tesco - Sep 10 2022

web aug 28 2015 the lean supply chain managing the challenge at tesco at tesco one of the leading global retailers senior leadership made a simple but game changing decision to focus the business on its customers rather than the conventional approach of competing with our competitors

**the lean supply chain managing the challenge at tesco** - Apr 05 2022

web the lean supply chain 2nd edition explores how tesco over the last 20 years or so has built its business around supply chain excellence as a mega retailer tesco has learnt to create a balanced supply chain system supporting suppliers needs as well as customers requirements this perspective and an ambition to act sustainably has

**dkfindout volcanoes lesson plan dkbooks** - Jun 16 2022

web jul 1 2016 flexibound 6 85 2 used from 4 10 15 new from 4 04 dkfindout volcanoes teaches kids everything they would want to know about the explosive world

**dkfindout volcanoes dk ae** - Oct 09 2021

[dkfindout volcanoes ebook dk amazon co uk kindle store](#) - Feb 10 2022

web jul 1 2016 silver award winner in the madeformums awards 2017 children s books series category dkfindout volcanoes teaches kids everything they would want to know

*dkfindout volcanoes dk my* - Nov 21 2022

web jul 18 2016 dkfindout volcanoes is packed with fun facts for kids quizzes and amazing photography discover what the biggest volcano in the solar system is and which type

*dk find out fun facts for kids on animals earth* - Aug 31 2023

web supporting stem based learning this fact filled book for kids ages 6 9 is the ultimate guide to the potent power of volcanoes from landslides to

**dkfindout volcanoes by dk 9781465454256 penguin random** - Mar 26 2023

web jul 1 2016 dkfindout volcanoes is packed with fun facts for kids quizzes and amazing photography discover what the biggest volcano in the solar system is and which type

**dkfindout volcanoes by d k publishing goodreads** - Dec 23 2022

web jul 1 2016 dkfindout volcanoes is packed with fun facts for kids quizzes and amazing photography discover what the biggest volcano in the solar system is and which type

*dkfindout volcanoes dk amazon co uk books* - Jan 24 2023

web sep 6 2016 dkfindout volcanoes dk 5 99 publisher description supporting stem based learning this fact filled book for kids ages 6 9 is the ultimate guide to the potent

*dkfindout volcanoes kirklees libraries overdrive* - Jan 12 2022

*dkfindout volcanoes dk findout mitpressbookstore* - May 16 2022

web details dkfindout volcanoes teaches kids everything they would want to know about the explosive world of volcanoes with beautiful photography lively illustrations and key

*dkfindout volcanoes dk google books* - Apr 14 2022

web supporting stem based learning this fact filled book for kids ages 6 9 is the ultimate guide to the potent power of volcanoes from landslides to lava bombs entertaining and

**dkfindout volcanoes on apple books** - Sep 19 2022

web sep 6 2016 volcanoes dk findout dk 10 99 publication date september 6th 2016 publisher dk children isbn

9781465454256 pages 64 quantity add to wishlist

*dkfindout volcanoes dk ca* - Oct 21 2022

web about dkfindout volcanoes lesson plan grades 3 5 volcanoes lesson plan to deliver the curriculum and assess your students knowledge

**dkfindout volcanoes dk learning** - May 28 2023

web jul 1 2016 dkfindout volcanoes is packed with fun facts for kids quizzes and amazing photography discover what the biggest volcano in the solar system is and which type

**dkfindout volcanoes by dk 9781465454256 brightly shop** - Dec 11 2021

**dkfindout volcanoes dk us** - Jul 30 2023

web jun 29 2016 dkfindout volcanoes is packed with fun facts for kids quizzes and amazing photography discover what the biggest volcano in the solar system is and

**dkfindout volcanoes by dk overdrive** - Aug 19 2022

web volcanoes invites readers to explore this explosive world in a unique and fun way vetted by educational consultants the dkfindout series drives kids ages 6 9 to become experts

*dkfindout volcanoes dk sg* - Nov 09 2021

**dkfindout volcanoes by dk penguin books australia** - Jul 18 2022

web jul 1 2016 dkfindout volcanoes is packed with fun facts for kids quizzes and amazing photography discover what the biggest volcano in the solar system is and which type

**dkfindout volcanoes dk learning** - Jun 28 2023

web how many volcanoes are located inside the ring of fire find out the answers to these questions and more in dkfindout volcanoes which features photographs of volcanic

dkfindout volcanoes lesson plan dkbooks - Feb 22 2023

web supporting stem based learning this fact filled book for kids ages 6 9 is the ultimate guide to the potent power of volcanoes from landslides to lava bombs entertaining and

**dkfindout volcanoes dk uk** - Apr 26 2023

web jun 3 2013 dkfindout volcanoes d k publishing 4 29 17 ratings3 reviews supporting stem based learning this fact filled book for kids ages 6 9 is the ultimate guide to the

dkfindout volcanoes by dk waterstones - Mar 14 2022

web silver award winner in the madeformums awards 2017 children s books series category dkfindout volcanoes teaches kids everything they would want to know about