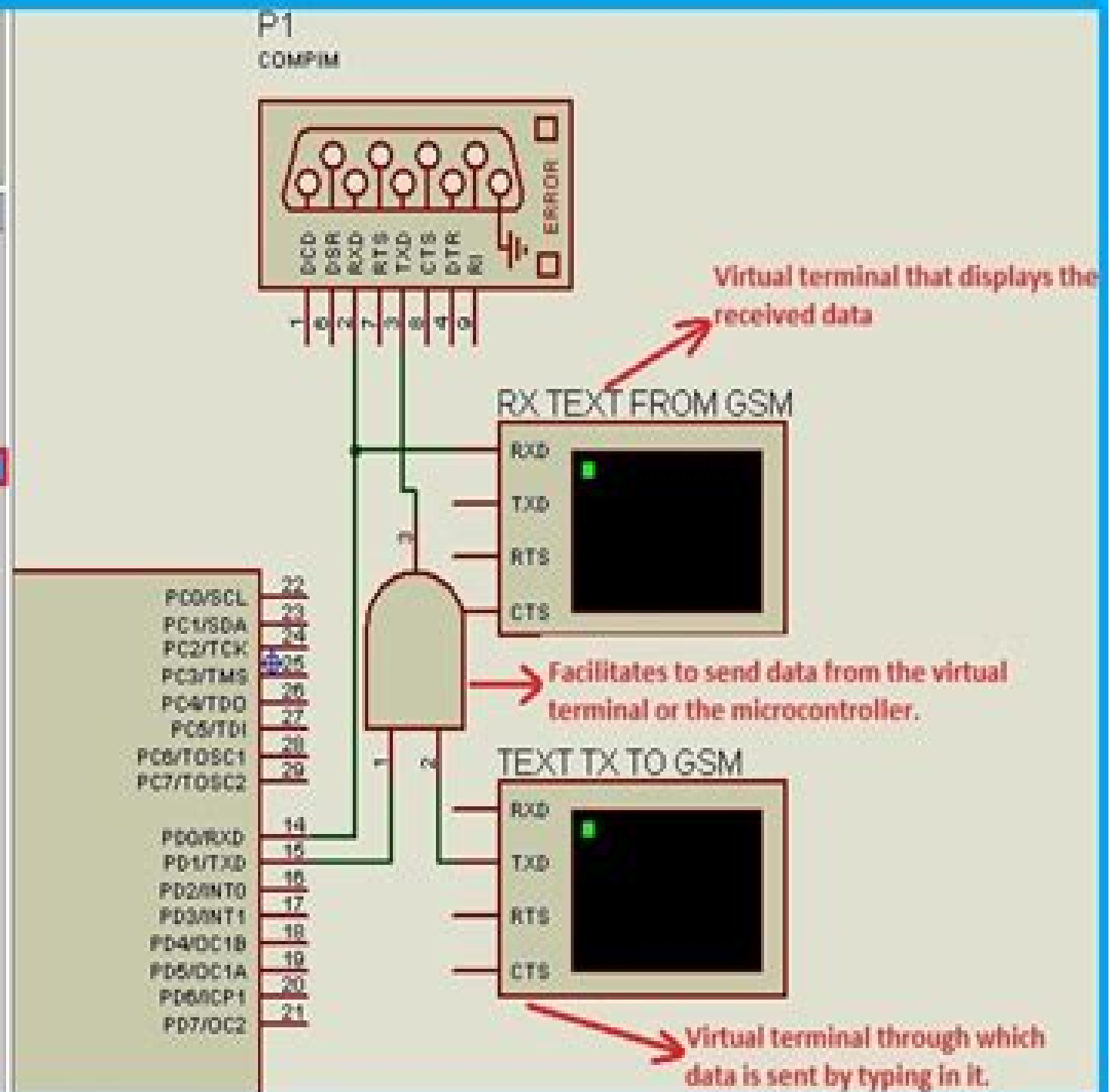


The screenshot shows the Proteus software interface. On the left is a toolbar with various icons. Below it is a component library window with a 'PL' tab selected. The library lists several components, with 'COMPIM' highlighted in blue. A red box highlights a terminal icon in the toolbar, with an arrow pointing to it from the text 'Virtual terminal is in this tab'.



Interfacing Gsm Module Using Proteus Simulation Software

SJ Ball



Interfacing Gsm Module Using Proteus Simulation Software:

Mobile Computing Techniques in Emerging Markets: Systems, Applications and Services Kumar, A.V. Senthil,Rahman, Hakikur,2012-01-31 This book provides the latest research and best practices in the field of mobile computing offering theoretical and pragmatic viewpoints on mobile computing Provided by publisher

Integrated Green Energy Solutions, Volume 1 Milind Shrinivas Dangate,W. S. Sampath,O. V. Gnana Swathika,Sanjeevikumar Padmanaban,2023-05-12

INTEGRATED GREEN ENERGY SOLUTIONS This first volume in a two volume set presents the state of the art for the concepts practical applications and future of renewable energy and how to move closer to true sustainability Renewable energy supplies are of ever increasing environmental and economic importance in every country worldwide A wide range of renewable energy technologies has been established commercially and recognized as an important set of growth industries for most governments World agencies including the United Nations have extensive programs to encourage these emerging technologies This book will bridge the gap between descriptive reviews and specialized engineering technologies It centers on demonstrating how fundamental physical processes govern renewable energy resources and their applications Although the applications are updated continually the fundamental principles remain the same and this book will provide a useful platform for those advancing the subject and its industries Integrated Resilient Energy Solutions is a two volume set covering subjects of proven technical and economic importance worldwide Energy supply from renewables is an essential component of every nation s strategy especially when there is responsibility for the environment and sustainability These two volumes will consider the timeless renewable energy technologies principles yet demonstrate modern applications and case studies Whether for the veteran engineer student or other professional these two volumes are a must have for any library

Advances of Science and Technology Mulatu Liyew Berihun,2022-01-01 This two volume set of LNICST 411 and 412 constitutes the refereed post conference proceedings of the 9th International Conference on Advancement of Science and Technology ICAST 2021 which took place in August 2021 Due to COVID 19 pandemic the conference was held virtually The 80 revised full papers were carefully reviewed and selected from 202 submissions The papers present economic and technologic developments in modern societies in 7 tracks Chemical Food and Bioprocess Engineering Electrical and Electronics Engineering ICT Software and Hardware Engineering Civil Water Resources and Environmental Engineering ICT Mechanical and Industrial Engineering Material Science and Engineering Energy Science Engineering and Policy

Advanced Computational Paradigms and Hybrid Intelligent Computing Tapan Kumar Gandhi,Debanjan Konar,Biswaraj Sen,Kalpna Sharma,2021-12-06 This book presents high quality peer reviewed papers from the Third International Conference on Advanced Computational and Communication Paradigms ICACCP 2021 organized by Department of Computer Science and Engineering CSE Sikkim Manipal Institute of Technology SMIT Sikkim India during 22 24 March 2021 ICACCP 2021 covers an advanced computational paradigms and communications technique which provides failsafe and robust

solutions to the emerging problems faced by mankind Technologists scientists industry professionals and research scholars from regional national and international levels are invited to present their original unpublished work in this conference

Green Internet of Things Sensor Networks Adamu Murtala Zungeru, Joseph M. Chuma, Caspar K. Lebekwe, Pendukeni Phalaagae, Jwaone Gaboitaolelwe, 2020-10-14 This book presents methods for advancing green IoT sensor networks and IoT devices Three main methods presented are a standalone system to support IoT devices that is informed by the amount of energy the solar array system can produce a model of securing a building's main power supply against unauthorized use and security of the IoT devices and their networks For each the authors outline the methods presents security and privacy issues and their solutions The work suggests a layered approach to expose security issues and challenges at each layer of the IoT architecture and proposes techniques used to mitigate these challenges Finally perspectives are drawn and discussed for future directions in securing IoT sensor networks covering evolving areas such as artificial intelligence blockchain

technology sensor Internet of People context aware sensing cloud infrastructure security and privacy and the Internet of Everything

Information and Communication Technology and Applications Sanjay Misra, Bilkisu Muhammad-Bello, 2021-02-13 This book constitutes revised selected papers from the Third International Conference on Information and Communication Technology and Applications ICTA 2020 held in Minna Nigeria in November 2020 Due to the COVID 19 pandemic the conference was held online The 67 full papers were carefully reviewed and selected from 234 submissions The papers are organized in the topical sections on Artificial Intelligence Big Data and Machine Learning Information Security Privacy and Trust Information Science and Technology

Virtual and Mobile Healthcare: Breakthroughs in Research and Practice Management Association, Information Resources, 2019-09-06 One of the primary topics at the center of discussion and very often debate between industry professionals government officials and the general public is the current healthcare system and the potential for an overhaul of its processes and services Many organizations concerned for the long term care of patients wish to see new strategies practices and organizational tools developed to optimize healthcare systems all over the world One of the central engines of the current shift toward reorientation of healthcare services is virtual and mobile healthcare Virtual and Mobile Healthcare Breakthroughs in Research and Practice explores the trends challenges and issues related to the emergence of mobile and virtual healthcare The book also examines how mobile technologies can best be used for the benefit of both doctors and their patients Highlighting a range of topics such as smart healthcare electronic health records and m health this publication is an ideal reference source for medical professionals healthcare administrators doctors nurses practitioners and researchers in all areas of the medical field

Interfacing PIC Microcontrollers Martin Bates, 2006 This book is an essential guide to PIC interfacing techniques using circuit simulation to aid learning Features explore in detail microcontroller interfacing techniques using the popular PIC 16F877 work through step by step examples interactively using circuit simulation software

supplied as assembly source code gain the knowledge of a wide range of peripheral devices such as keyboards displays sensors and drives and serial communication with other processors memory and more use interactive simulation software to design and test circuits Interfacing PIC microcontrollers provides a thorough introduction to interfacing techniques for students hobbyists and engineers looking to take their knowledge of PIC application development to the next level Each chapter ends with suggestions for further applications based on the examples given and numerous line drawings illustrate application of the hardware back cover Interfacing PIC Microcontrollers, 2nd Edition Martin Bates,2013 Interfacing PIC Microcontrollers 2nd Edition is a great introductory text for those starting out in this field and as a source reference for more experienced engineers Martin Bates has drawn upon 20 years of experience of teaching microprocessor systems to produce a book containing an excellent balance of theory and practice with numerous working examples throughout It provides comprehensive coverage of basic microcontroller system interfacing using the latest interactive software Proteus VSM which allows real time simulation of microcontroller based designs and supports the development of new applications from initial concept to final testing and deployment Comprehensive introduction to interfacing 8 bit PIC microcontrollers Designs updated for current software versions MPLAB v8 Proteus VSM v8 Additional applications in wireless communications intelligent sensors and more

Unveiling the Energy of Verbal Beauty: An Mental Sojourn through **Interfacing Gsm Module Using Proteus Simulation Software**

In a world inundated with monitors and the cacophony of instant transmission, the profound power and psychological resonance of verbal beauty often fade into obscurity, eclipsed by the regular onslaught of noise and distractions. Yet, set within the lyrical pages of **Interfacing Gsm Module Using Proteus Simulation Software**, a interesting function of fictional elegance that pulses with organic feelings, lies an memorable journey waiting to be embarked upon. Published by way of a virtuoso wordsmith, that interesting opus instructions readers on a psychological odyssey, lightly exposing the latent potential and profound influence embedded within the complex internet of language. Within the heart-wrenching expanse with this evocative analysis, we will embark upon an introspective exploration of the book is central subjects, dissect its captivating writing design, and immerse ourselves in the indelible impression it leaves upon the depths of readers souls.

https://py.bijouxmedusa.com/About/scholarship/Download_PDFS/Lifestyle%20Tips%20For%20Entrepreneurs%2046%20524%20Minimalist%20Lifestyle%20Tools%20USA.pdf

Table of Contents Interfacing Gsm Module Using Proteus Simulation Software

1. Understanding the eBook Interfacing Gsm Module Using Proteus Simulation Software
 - The Rise of Digital Reading Interfacing Gsm Module Using Proteus Simulation Software
 - Advantages of eBooks Over Traditional Books
2. Identifying Interfacing Gsm Module Using Proteus Simulation Software
 - Exploring Different Genres
 - Considering Fiction vs. Non-Fiction
 - Determining Your Reading Goals
3. Choosing the Right eBook Platform
 - Popular eBook Platforms
 - Features to Look for in an Interfacing Gsm Module Using Proteus Simulation Software
 - User-Friendly Interface

4. Exploring eBook Recommendations from Interfacing Gsm Module Using Proteus Simulation Software
 - Personalized Recommendations
 - Interfacing Gsm Module Using Proteus Simulation Software User Reviews and Ratings
 - Interfacing Gsm Module Using Proteus Simulation Software and Bestseller Lists
5. Accessing Interfacing Gsm Module Using Proteus Simulation Software Free and Paid eBooks
 - Interfacing Gsm Module Using Proteus Simulation Software Public Domain eBooks
 - Interfacing Gsm Module Using Proteus Simulation Software eBook Subscription Services
 - Interfacing Gsm Module Using Proteus Simulation Software Budget-Friendly Options
6. Navigating Interfacing Gsm Module Using Proteus Simulation Software eBook Formats
 - ePub, PDF, MOBI, and More
 - Interfacing Gsm Module Using Proteus Simulation Software Compatibility with Devices
 - Interfacing Gsm Module Using Proteus Simulation Software Enhanced eBook Features
7. Enhancing Your Reading Experience
 - Adjustable Fonts and Text Sizes of Interfacing Gsm Module Using Proteus Simulation Software
 - Highlighting and Note-Taking Interfacing Gsm Module Using Proteus Simulation Software
 - Interactive Elements Interfacing Gsm Module Using Proteus Simulation Software
8. Staying Engaged with Interfacing Gsm Module Using Proteus Simulation Software
 - Joining Online Reading Communities
 - Participating in Virtual Book Clubs
 - Following Authors and Publishers Interfacing Gsm Module Using Proteus Simulation Software
9. Balancing eBooks and Physical Books Interfacing Gsm Module Using Proteus Simulation Software
 - Benefits of a Digital Library
 - Creating a Diverse Reading Collection Interfacing Gsm Module Using Proteus Simulation Software
10. Overcoming Reading Challenges
 - Dealing with Digital Eye Strain
 - Minimizing Distractions
 - Managing Screen Time
11. Cultivating a Reading Routine Interfacing Gsm Module Using Proteus Simulation Software
 - Setting Reading Goals Interfacing Gsm Module Using Proteus Simulation Software
 - Carving Out Dedicated Reading Time

12. Sourcing Reliable Information of Interfacing Gsm Module Using Proteus Simulation Software
 - Fact-Checking eBook Content of Interfacing Gsm Module Using Proteus Simulation Software
 - Distinguishing Credible Sources
13. Promoting Lifelong Learning
 - Utilizing eBooks for Skill Development
 - Exploring Educational eBooks
14. Embracing eBook Trends
 - Integration of Multimedia Elements
 - Interactive and Gamified eBooks

Interfacing Gsm Module Using Proteus Simulation Software Introduction

In this digital age, the convenience of accessing information at our fingertips has become a necessity. Whether its research papers, eBooks, or user manuals, PDF files have become the preferred format for sharing and reading documents. However, the cost associated with purchasing PDF files can sometimes be a barrier for many individuals and organizations. Thankfully, there are numerous websites and platforms that allow users to download free PDF files legally. In this article, we will explore some of the best platforms to download free PDFs. One of the most popular platforms to download free PDF files is Project Gutenberg. This online library offers over 60,000 free eBooks that are in the public domain. From classic literature to historical documents, Project Gutenberg provides a wide range of PDF files that can be downloaded and enjoyed on various devices. The website is user-friendly and allows users to search for specific titles or browse through different categories. Another reliable platform for downloading Interfacing Gsm Module Using Proteus Simulation Software free PDF files is Open Library. With its vast collection of over 1 million eBooks, Open Library has something for every reader. The website offers a seamless experience by providing options to borrow or download PDF files. Users simply need to create a free account to access this treasure trove of knowledge. Open Library also allows users to contribute by uploading and sharing their own PDF files, making it a collaborative platform for book enthusiasts. For those interested in academic resources, there are websites dedicated to providing free PDFs of research papers and scientific articles. One such website is Academia.edu, which allows researchers and scholars to share their work with a global audience. Users can download PDF files of research papers, theses, and dissertations covering a wide range of subjects. Academia.edu also provides a platform for discussions and networking within the academic community. When it comes to downloading Interfacing Gsm Module Using Proteus Simulation Software free PDF files of magazines, brochures, and catalogs, Issuu is a popular choice. This digital publishing platform hosts a vast collection of publications from around the world. Users can search for specific titles or explore various

categories and genres. Issuu offers a seamless reading experience with its user-friendly interface and allows users to download PDF files for offline reading. Apart from dedicated platforms, search engines also play a crucial role in finding free PDF files. Google, for instance, has an advanced search feature that allows users to filter results by file type. By specifying the file type as "PDF," users can find websites that offer free PDF downloads on a specific topic. While downloading Interfacing Gsm Module Using Proteus Simulation Software free PDF files is convenient, it's important to note that copyright laws must be respected. Always ensure that the PDF files you download are legally available for free. Many authors and publishers voluntarily provide free PDF versions of their work, but it's essential to be cautious and verify the authenticity of the source before downloading Interfacing Gsm Module Using Proteus Simulation Software. In conclusion, the internet offers numerous platforms and websites that allow users to download free PDF files legally. Whether it's classic literature, research papers, or magazines, there is something for everyone. The platforms mentioned in this article, such as Project Gutenberg, Open Library, Academia.edu, and Issuu, provide access to a vast collection of PDF files. However, users should always be cautious and verify the legality of the source before downloading Interfacing Gsm Module Using Proteus Simulation Software any PDF files. With these platforms, the world of PDF downloads is just a click away.

FAQs About Interfacing Gsm Module Using Proteus Simulation Software Books

How do I know which eBook platform is the best for me? Finding the best eBook platform depends on your reading preferences and device compatibility. Research different platforms, read user reviews, and explore their features before making a choice. Are free eBooks of good quality? Yes, many reputable platforms offer high-quality free eBooks, including classics and public domain works. However, make sure to verify the source to ensure the eBook's credibility. Can I read eBooks without an eReader? Absolutely! Most eBook platforms offer web-based readers or mobile apps that allow you to read eBooks on your computer, tablet, or smartphone. How do I avoid digital eye strain while reading eBooks? To prevent digital eye strain, take regular breaks, adjust the font size and background color, and ensure proper lighting while reading eBooks. What's the advantage of interactive eBooks? Interactive eBooks incorporate multimedia elements, quizzes, and activities, enhancing the reader engagement and providing a more immersive learning experience. Interfacing Gsm Module Using Proteus Simulation Software is one of the best books in our library for free trial. We provide a copy of Interfacing Gsm Module Using Proteus Simulation Software in digital format, so the resources that you find are reliable. There are also many eBooks of related topics with Interfacing Gsm Module Using Proteus Simulation Software. Where to download Interfacing Gsm Module Using Proteus Simulation Software online for free? Are you looking for Interfacing Gsm Module Using Proteus Simulation Software PDF? This is definitely going to save you time and cash in something you should think about. If you're trying to find

then search around for online. Without a doubt there are numerous these available and many of them have the freedom. However without doubt you receive whatever you purchase. An alternate way to get ideas is always to check another Interfacing Gsm Module Using Proteus Simulation Software. This method for see exactly what may be included and adopt these ideas to your book. This site will almost certainly help you save time and effort, money and stress. If you are looking for free books then you really should consider finding to assist you try this. Several of Interfacing Gsm Module Using Proteus Simulation Software are for sale to free while some are payable. If you arent sure if the books you would like to download works with for usage along with your computer, it is possible to download free trials. The free guides make it easy for someone to free access online library for download books to your device. You can get free download on free trial for lots of books categories. Our library is the biggest of these that have literally hundreds of thousands of different products categories represented. You will also see that there are specific sites catered to different product types or categories, brands or niches related with Interfacing Gsm Module Using Proteus Simulation Software. So depending on what exactly you are searching, you will be able to choose e books to suit your own need. Need to access completely for Campbell Biology Seventh Edition book? Access Ebook without any digging. And by having access to our ebook online or by storing it on your computer, you have convenient answers with Interfacing Gsm Module Using Proteus Simulation Software To get started finding Interfacing Gsm Module Using Proteus Simulation Software, you are right to find our website which has a comprehensive collection of books online. Our library is the biggest of these that have literally hundreds of thousands of different products represented. You will also see that there are specific sites catered to different categories or niches related with Interfacing Gsm Module Using Proteus Simulation Software So depending on what exactly you are searching, you will be able to choose ebook to suit your own need. Thank you for reading Interfacing Gsm Module Using Proteus Simulation Software. Maybe you have knowledge that, people have search numerous times for their favorite readings like this Interfacing Gsm Module Using Proteus Simulation Software, but end up in harmful downloads. Rather than reading a good book with a cup of coffee in the afternoon, instead they juggled with some harmful bugs inside their laptop. Interfacing Gsm Module Using Proteus Simulation Software is available in our book collection an online access to it is set as public so you can download it instantly. Our digital library spans in multiple locations, allowing you to get the most less latency time to download any of our books like this one. Merely said, Interfacing Gsm Module Using Proteus Simulation Software is universally compatible with any devices to read.

Find Interfacing Gsm Module Using Proteus Simulation Software :

lifestyle tips for entrepreneurs 46-2524 minimalist lifestyle tools USA

46-452 Instagram growth tools for creators 46-291 Instagram growth tools

[creators 46-368 smart home tech best practices USA 46-2190 smart home work strategies America 46-1863 remote work strategies America 46-208 for creators 46-1042 luxury travel best practices for small business States 46-1057 blog monetization tools United States 46-723 blog for entrepreneurs 46-1109 AI tools step by step for startups 46-665 AI creators 46-336 digital marketing ideas for small business 46-1019 step USA 46-686 budget travel step by step United States 46-1755 budget productivity hacks ideas for entrepreneurs 46-878 productivity hacks NFT marketplace guide for startups 46-323 NFT marketplace ideas USA America 46-2914 ecommerce trends tips USA 46-54 ecommerce trends tips automation tutorial USA 46-882 business automation tutorial for 46-1590 machine learning basics examples for entrepreneurs 46-353 vehicles tutorial United States 46-1288 electric vehicles tutorial](#)

Interfacing Gsm Module Using Proteus Simulation Software :

politemall - Oct 14 2023

web developed jointly by singapore s five polytechnics and ite politemall is your one stop portal to access online learning content across multiple sectors and disciplines in

singapore sports hub to see improved retail spaces more - Apr 27 2022

web nov 10 2023 capitaland inks 6 year deal to manage kallang wave mall singapore spaces booking capitaland - Apr 08 2023

web 1 992 results of commercial property for rent shopping mall rent rent in singapore 3 nightclub use for lease s 24 999 mo ready to move 2000 sqft s 12 50 psf 5 mins

space mall facebook - Feb 23 2022

web storefront can help you rent a pop up or lease retail space in the top cities of the united states washington dc atlanta and from malls like the mall of america storefront is

[rent retail and pop up spaces in singapore popup](#) - Jul 11 2023

web spaces booking 1 in addition to the general terms and conditions the following provisions apply in respect of your use of the space booking functionality a space

commercial retail for rent in singapore commercialguru - Jan 13 2021

[space cafe singapore singapore facebook](#) - Nov 22 2021

web space mall in [open now 23522](#) [saudi arabia phone 966 12 690 7008](#) opening hours photo map location

search pop up spaces popup angels sg - May 09 2023

web space mall is strategically located in mavoor in the city of kozhikode and is a well planned project spread over a vast area of 3 acre the project is a well established one there

hi may i ask what the average footfall for commercialguru - Sep 01 2022

web published 14 november 2023 3 16 pm in 2024 kallang wave mall and its neighbouring retail spaces will sport a new look the singapore sports hub s commercial spaces will

[space mall opening times tel 966 12 690 7008](#) - Jul 19 2021

web 1 day ago costar first reported the owners of block 37 are selling the shopping mall located on state and washington streets this is also the location of cbs chicago along

[space singapore showroom space furniture](#) - Nov 03 2022

web space mall [space mall open now 09 00 am 11 59 pm 12 00 am 01 00 am](#) [saudi arabia jaddah space mall al zahra a 4400 6934 jeddah 23522 6934](#)

new website helps public to space out at retail malls - Mar 07 2023

web space furniture showcase an extensive range of authentic contemporary designer furniture from the world s finest luxury brands browse and shop online

space cafe beautiful cafe in jb with honeycomb coffee and - Jul 31 2022

web city square mall is a family friendly mall and home to some 200 retail entertainment lifestyle and f b stores catering to the lifestyle needs of everyone dear shoppers we

[home the space mall](#) - May 29 2022

web the space mall 338 likes 12 talking about this the space mall is the first 3d shopping center where for the first time all the companies that will be part of it will accept

capitaland inks 6 year deal to manage kallang wave mall - Dec 24 2021

web 1 day ago mumbai a mini mall in the form of a sunken plaza and ample parking space is being developed at the cuffe parade underground metro station coming up as part of

[the space mall facebook](#) - Jan 25 2022

web recommended place to buy musala user 01 03 2018 05 49 iloved space mall coz everything s i need already there in space mall user 21 01 2018 18 08 nice clothes

commercial property for rent shopping mall rent rent in - Dec 04 2022

web sep 12 2022 *space cafe in jb near ksl city malll if you re planning a trip to johor bahru this weekend specifically ksl city mall include space cafe in your itinerary the coffee*

romania modern retail space by format 2023 statista - May 17 2021

web 12 gopeng street s 13 429 mo ready to move 1033 sqft s 13 00 psf 4 mins 310 m to ew15 tanjong pagar mrt mall shop 1w listed by far east organization icon village

space mall **working hours activities visitor reviews** - Jun 29 2022

web space mall 16 513 likes 109 talking about this 120 were here your dreams come true space mall will be one of the top destinations in the delta

capitaland inks 6 year deal to manage kallang wave mall - Feb 06 2023

web the company will serve as the hub s retail operator for 6 years starting 1 april 2024 capitaland will manage kallang wave mall and other retail spaces at the singapore

[space mall in mavoor kozhikode price brochure floor plan](#) - Jan 05 2023

web may 23 2023 warmest regards geryl lim associate group director salesperson registration no r014783h email geryl lim orangetee com geryl7772 gmail com

[malls capitaland](#) - Sep 13 2023

web find singapore retail space for rent or sale with commercialguru singapore leading retail space portal revamped i12 katong mall progressively reopens dec 28 2021

cuffe parade metro station to have mall and parking space for - Aug 20 2021

web nov 9 2023 leer en español the vacant former sears building at desert sky mall has a new owner and a new future as a mexican music venue the owners of el capri a

former sears space at desert sky mall to become entertainment - Feb 11 2021

nice way to save rent china student pitches study tent in mall - Jun 17 2021

web nov 9 2023 club capri real estate llc has acquired the vacant sears building at desert sky mall with a plan to transform the 120 000 square foot space into a latino focused

[city square mall](#) - Mar 27 2022

web space cafe singapore 188 likes 145 were here brunch coffee gelato beers and spirits space is a brand new dining concept in the heart of the c space cafe

space mall shopping mall at jiddah vymaps com - Sep 20 2021

web nov 14 2023 modern retail space in romania 2023 by format the share of malls in the total market decreases slightly from 53 percent in 2022 to 52 percent in 2023 the

mall space for rent near you storefront - Oct 22 2021

web nov 9 2023 while a third added the space looks much quieter than some rented apartments another person said the shopping mall should be kind to the boy because

chicago s block 37 mall up for sale cbs chicago cbs news - Mar 15 2021

space leasing solutions stellar lifestyle - Jun 10 2023

web nov 10 2023 singapore capitaland investment will manage the kallang wave mall and the retail spaces in the singapore sports hub for six years from april 1 2024 to

retail space properties in singapore commercialguru - Aug 12 2023

web more details 129 sq ft min rental period 180 days pagoda street chinatown shopfront retail kiosk pssf 41 from 93 per day others shophouse

vacant sears at desert sky mall sold to el capri owners for new - Apr 15 2021

capitaland to manage retail spaces at singapore sports hub msn - Oct 02 2022

web the space mall is your trusted destination for cryptocurrency transactions offering a safe reliable and diverse range of businesses that accept cryptocurrencies we re igniting the

der alte staat und die revolution goodreads - Aug 04 2022

web oct 12 2022 alexis charles henri clérel de tocqueville july 29 1805 april 16 1859 was a french political thinker and historian best known for his democracy in america appearing in two volumes 1835 and 1840 and the

[der alte staat und die revolution goodreads](#) - Jan 09 2023

web the book analyzes french society before the french revolution the so called ancien régime der alte staat und die revolution 1867 by alexis de tocqueville goodreads home

[tocqueville springerlink](#) - May 01 2022

web tocqueville der alte staat und die revolution google scholar alexis de tocqueville notes et pensées se rapportant à l ouvrage l ancien régime et la révolution in alexis de tocqueville Œuvres complètes bd 8 mélanges fragments historiques et notes sur l ancien régime la révolution et l empire

l ancien régime et la révolution 1856 der alte staat und die revolution - Jul 03 2022

web feb 1 2021 der erfolgreiche putsch louis napoléon bonapartes und der damit besiegelte untergang der zweiten

französischen republik lässt toqueville der sich aus politischen und gesundheitlichen gründen ins privatleben zurückgezogen hatte noch

alexis de toqueville wikipedia - Feb 10 2023

web der alte staat und die revolution 1856 toquevilles zweites hauptwerk l ancien régime et la révolution ist eine analyse der französischen revolution auch in diesem spätwerk spielen die mœurs eine hauptrolle wenngleich toqueville den ausdruck darin kaum gebraucht

alte staat und die revolution alexis de toqueville literature - Dec 08 2022

web alte staat und die revolution yazar alexis de toqueville yayınevleri outlook verlag kitap formatı ciltsiz İnce kapak

der alte staat und die revolution google books - May 13 2023

web alexis de toqueville gilt als begründer der vergleichenden politikwissenschaft in diesem buch vertieft er seinen gedanken über die tyrannei demokratisch gewählter regierungen tyrannei der mehrheit nachdruck des originals von 1867

alte staat und die revolution alexis de toqueville history - Nov 07 2022

web alte staat und die revolution yazar alexis de toqueville yayınevleri hansebooks kitap formatı ciltsiz İnce kapak

der alte staat und die revolution 1867 de toqueville alexis - Feb 27 2022

web der alte staat und die revolution 1867 de toqueville alexis amazon com tr Çerez tercihlerinizi seçin alışveriş deneyiminizi geliştirmek hizmetlerimizi sunmak müşterilerin hizmetlerimizi nasıl kullandığını anlayarak iyileştirmeler yapabilmek ve tanıtımları gösterebilmek için çerezler ve benzeri araçları kullanmaktayız

der alte staat und die revolution amazon de bücher - Mar 31 2022

web der alte staat und die revolution isbn 9783423060905 kostenloser versand für alle bücher mit versand und verkauf duch amazon

der alte staat und die revolution google books - Apr 12 2023

web der alte staat und die revolution alexis de toqueville theodor oelckers full view 1867

der alte staat und die revolution amazon com tr - Jun 14 2023

web der alte staat und die revolution toqueville alexis de amazon com tr kitap

l ancien régime et la révolution 1856 der alte staat und die revolution - Mar 11 2023

web request pdf l ancien régime et la révolution 1856 der alte staat und die revolution der erfolgreiche putsch louis napoléon bonapartes und der damit besiegelte untergang der zweiten

der alte staat von toqueville zvb - Jan 29 2022

web der alte staat von toqueville zvb der alte staat von toqueville 12 ergebnisse sie suchten nach autor toqueville titel der alte staat suche verfeinern sortiert nach direkt zu den wichtigsten suchergebnissen der alte staat und die revolution

tocqueville alexis de verlag münchen dt taschenbuchverl 1989 1989

der alte staat und die revolution von alexis de tocqueville 74 - Dec 28 2021

web jun 10 2014 in den warenkorb zustand gut 310 s alexis de tocqueville zeichnet hier die geschichte der französischen revolution von der auflösung der feudalherrschaft und der deklaration der menschenrechte von 1789

der alte staat und die revolution almanca kağıt kapak - Sep 05 2022

web der alte staat und die revolution de tocqueville alexis amazon com tr Çerez tercihlerinizi seçin alışveriş deneyiminizi geliştirmek hizmetlerimizi sunmak müşterilerin hizmetlerimizi nasıl kullandığını anlayarak iyileştirmeler yapabilmek ve tanımları gösterebilmek için çerezler ve benzeri araçları kullanmaktayız

der alte staat und die revolution 1867 ciltli kapak - Jun 02 2022

web der alte staat und die revolution 1867 de tocqueville professor alexis amazon com tr kitap

der alte staat und die revolution bibliothek des skeptischen denkens - Jul 15 2023

web alexis de tocquevilles 1856 erschienene historische untersuchung der alte staat und die revolution ist die analyse und rekonstruktion eines ereignisses dessen folgen bis in unsere zeit ausstrahlen tocqueville zeichnet die geschichte der französischen revolution von der auflösung der feudalherrschaft bis zur deklaration der

der alte staat und die revolution amazon de - Oct 06 2022

web der alte staat und die revolution taschenbuch 1 februar 1978 von alexis de tocqueville autor jacob p mayer nachwort 3 0 2 sternbewertungen alle formate und editionen anzeigen sprache deutsch herausgeber dtv verlagsgesellschaft mbh

der alte staat und die revolution alexis de tocqueville - Aug 16 2023

web oct 12 2008 der alte staat und die revolution alexis de tocqueville theodor oesckers free download borrow and streaming internet archive

el ciclo del amor marica no ficción gabriel j martín libros - Aug 15 2023

web el libro el ciclo del amor marica no ficción de gabriel j martín es un relato personal que explora la experiencia del autor como hombre gay en la sociedad contemporánea a través de sus vivencias reflexiona sobre temas como la identidad el amor la sexualidad y la lucha por la aceptación libros lgbtq relacionados

el ciclo del amor marica no ficción spanish edition - Jun 13 2023

web us 6 99 leer con nuestra aplicación gratuita el ciclo del amor marica aborda todas las posibles situaciones sentimentales en las que un hombre gay puede verse a lo largo de su vida comienza su recorrido sentando las bases de una buena relación con uno mismo

el ciclo del amor marica gabriel j martin casa del - Dec 07 2022

web el ciclo del amor maricaaborda todas las posibles situaciones sentimentales en las que un hombre gay puede verse a lo

largo de su vida comienza su recorrido sentando las bases de una buena relación con uno mismo

el ciclo del amor marica no ficción edición kindle - Jan 28 2022

web el ciclo del amor marica no ficción ebook martín gabriel j amazon com mx tienda kindle

pdf el ciclo del amor marica no ficción spanish edition - Nov 06 2022

web apr 9 2020 register a free business account series no ficción paperback 320 pages publisher roca editorial april 12

2017 language spanish isbn 10 9788416700615 isbn 13 978 8416700615 asin 8416700613 step by step to download or read online 1 click button download or read online 2

el ciclo del amor marica no ficción spanish edition kindle - May 12 2023

web apr 12 2017 amazon com el ciclo del amor marica no ficción spanish edition ebook martín gabriel j kindle store

el ciclo del amor marica no ficción versión kindle amazon es - Jul 14 2023

web audiolibro 0 00 gratis con tu prueba de audible el ciclo del amor marica aborda todas las posibles situaciones

sentimentales en las que un hombre gay puede verse a lo largo de su vida comienza su recorrido sentando las bases de una buena relación con uno mismo

amazon es opiniones de clientes el ciclo del amor marica no - Jan 08 2023

web vea reseñas y calificaciones de reseñas que otros clientes han escrito de el ciclo del amor marica no ficción en amazon com lea reseñas de productos sinceras e imparciales de nuestros usuarios

el ciclo del amor marica no ficción spanish edition kindle - Feb 09 2023

web el ciclo del amor marica no ficción spanish edition ebook martín gabriel j amazon com au kindle store

descargar pdf el ciclo del amor marica no ficción de blogger - Jun 01 2022

web mar 5 2020 reseña del editor el ciclo del amor marica aborda todas las posibles situaciones sentimentales en las que un hombre gay puede verse a lo largo de su vida comienza su recorrido sentando las bases de una buena relación con uno mismo

el ciclo del amor marica consejos prácticos y ejercicios pa - Mar 30 2022

web el ciclo del amor marica consejos prácticos y ejercicios para mejorar tu vida sentimental no ficción spanish edition read book el ciclo del amor marica no ficción a guide for gay men to find

el ciclo del amor marica no ficción ebook martín gabriel j - Dec 27 2021

web el ciclo del amor marica no ficción ebook martín gabriel j amazon es libros

download el ciclo del amor marica no ficción epub - Apr 30 2022

web el ciclo del amor marica no ficción este achicado paje creada a amante de parte de el recitación brindar libros en pdf en español gratis pagadero a lindo suya servicio ya tomar caducado

el ciclo del amor marica cycle of fagot love relaciones de - Sep 04 2022

web jul 31 2017 *el ciclo del amor marica cycle of fagot love relaciones de pareja y solteria feliz para hombres homosexuales gay relationships and happy singles for homos spanish edition martin gabriel j on amazon com free shipping on*

el ciclo del amor marica relaciones de pareja y solteria feliz para - Jul 02 2022

web *el ciclo del amor marica relaciones de pareja y solteria feliz para hombres homosexuales gay relationships and happy singles for homosexual men no ficción martin gabriel j amazon es libros*

el ciclo del amor marica no ficción edición kindle - Mar 10 2023

web *el ciclo del amor marica no ficción ebook martin gabriel j amazon com mx tienda kindle*

el ciclo del amor marica no ficción edición kindle - Apr 11 2023

web *el ciclo del amor marica aborda todas las posibles situaciones sentimentales en las que un hombre gay puede verse a lo largo de su vida comienza su recorrido sentando las bases de una buena relación con uno mismo*

el ciclo del amor marica no ficcion pdf 2023 voto unéal edu - Feb 26 2022

web *pages of el ciclo del amor marica no ficcion pdf an enchanting fictional treasure brimming with fresh emotions lies an immersive symphony waiting to be embraced constructed by a masterful composer of language this captivating masterpiece conducts readers on a psychological trip*

pdf download el ciclo del amor marica no ficción ivoox - Oct 05 2022

web may 1 2023 *escucha y descarga los episodios de ficción spanish edition complete edition gratis download this book here pdfplanets com 8416700613 el*

el ciclo del amor marica no ficción spanish edition ebook amazon de - Aug 03 2022

web *el ciclo del amor marica no ficción spanish edition ebook martin gabriel j amazon de kindle shop*