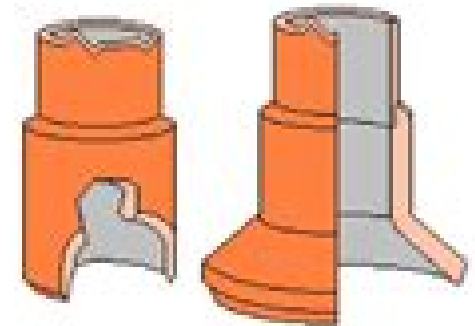


Well COMPLETION

5. OTHERS

5.1 Wireline Entry Guide (WLEG)

- Bottom most tubing accessories.
- Provide easy access for WL tools into tubing.

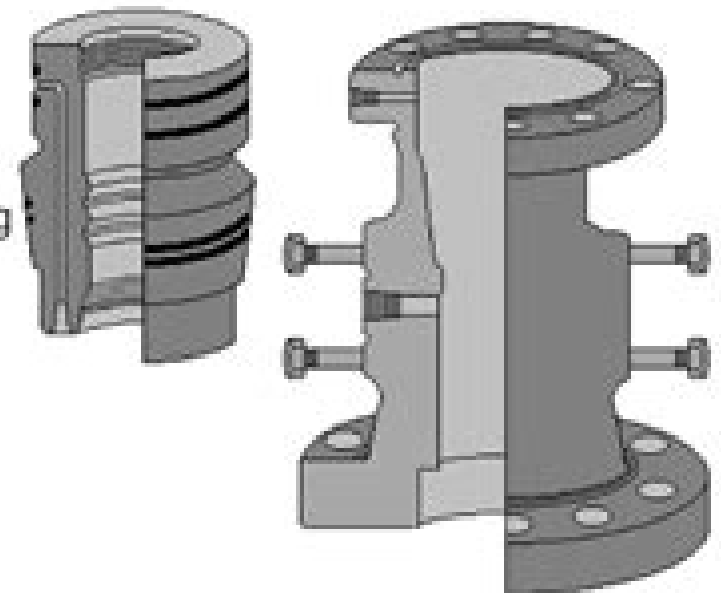


5.2 Perforated Joint

- Eliminate flow restrictions.
- Provide true downhole flow readings.

5.3 Control Line

- Transport hydraulic fluid to SCSSV
- Continuous length & securely clamped on tubing wall.



5.4 Tubing Hanger

- Set in THS , suspend tubing weight & provide sealing.
- BPV Receptacle

Wireline Operations Manual

Jia'en Lin



Wireline Operations Manual:

Standard Handbook of Petroleum and Natural Gas Engineering William C. Lyons, Gary J Plisga BS, 2011-03-15 This new edition of the Standard Handbook of Petroleum and Natural Gas Engineering provides you with the best state of the art coverage for every aspect of petroleum and natural gas engineering With thousands of illustrations and 1 600 information packed pages this text is a handy and valuable reference Written by over a dozen leading industry experts and academics the Standard Handbook of Petroleum and Natural Gas Engineering provides the best most comprehensive source of petroleum engineering information available Now in an easy to use single volume format this classic is one of the true must haves in any petroleum or natural gas engineer s library A classic for the oil and gas industry for over 65 years A comprehensive source for the newest developments advances and procedures in the petrochemical industry covering everything from drilling and production to the economics of the oil patch Everything you need all the facts data equipment performance and principles of petroleum engineering information not found anywhere else A desktop reference for all kinds of calculations tables and equations that engineers need on the rig or in the office A time and money saver on procedural and equipment alternatives application techniques and new approaches to problems

Wireline Operations and Procedures American Petroleum Institute. Division of Production, 1964

Wireline Operations Jack B. Hall, 1988 [Wireline Operations and Procedures](#) American Petroleum Institute. Production Department, 1994

Oilfield Survival Guide, Volume One: For All Oilfield Situations Matthew J. Hatami, 2017-01-02 Save Money Time and Lives with the Real World Oil Gas Experience of Others Learning the Hard Way in the Oilfield can Cost You Millions sometimes Billions of Dollars in addition to Injury and Loss of Life Cut Through the Noise to Focus on the Most Critical Aspects of Working in the Oil and Gas Business Based on over 1 000 Oil and Gas Situations involving Drilling Cementing Fracking Wireline Coil Tubing Snubbing Running Tools Welding Production Workover Logging Trucking Geology Land Engineering Resource Development Executive Management and much much more Expand Your Value Creation Opportunities by Learning from the Real World Experience of Others Whether you work in the office or in the field work as a Company Man Engineer Driller Tool Pusher Roughneck Geologist Landman Truck Driver Frac Hand Treater Cementer Lawyer Flowback Hand Welder Geophysicist Snubber Pumper Equipment Operator Derrick Man Mechanic Petrophysicist Roustabout Manager Director VP or Executive consider adding Oilfield Survival Guide to your toolbox of knowledge In other words if you work hard for your money in the oil business this book is for you The oil gas industry is one of the most capital intensive businesses today As a result mistakes situations can be expensive in addition to injury and loss of life To prevent undesirable situations Oilfield Survival Guide was created based on over 1 000 oil gas situations The ultimate guide for all oil and gas situations Tactics Procedures Fatalities Short Stories Train Wrecks Disaster Avoidance Court Cases Life Savings Skills Checklists Troubleshooting Problem Job Prevention Oilfield Survival Guide is the ultimate oil industry resource to help manage oilfield risk and avoid mistakes by increasing your oil and gas knowledge and

intelligence utilizing a variety of methods including Tactics Short and to the point guidelines to reduce risk and instill work principles to be successful in the oil industry from the field to the office Short Stories Experience from the mistakes of others Fatalities Detailed analysis of oil and gas tragedies Court Cases Jury trials expert witness testimony and legal opinions on a variety of oil and gas cases Procedures Step by step process to create oilfield procedures and checklists along with multiple examples Operations Analysis Oil and gas operations post mortem highlighting key learnings practical knowledge useful tips and best practices Over 1 000 oil and gas situations analyzed to create Oilfield Survival Guide **The Practical Handbook of Well Control** Rahman Ashena,2025-02-21 The Practical Handbook of Well Control teaches readers to safeguard well safety and integrity in drilling well engineering Offering an applied and scientific point of view it covers fundamental aspects of well control and includes practical procedures and well control methods for land and offshore operations It features a wealth of questions to commonly encountered problems and comprehensive answers at the end of each topical discussion to test reader comprehension Written in a concise accessible way by experienced oilfield and academic experts Covers all related technical subjects of well control Describes modern aspects of well control including automatic well control advances in outflow measurement artificial intelligence and IoT techniques for early kick detection mud gas separators and riser gas modeling Includes case studies to familiarize readers with real world problems and solutions Offers a full explanation of each problem to familiarize readers with commonly faced issues Features sample exercises with comprehensive answers useful for IWCF and IADC exams This handbook serves as a valuable reference and workbook for field drilling and workover engineers in the energy sector **Policy-Driven Mobile Ad hoc Network Management** Ritu Chadha,Latha Kant,2007-10-23 This book should be immensely interesting to those trying to decide what MANET research is worth undertaking and why J Christopher Ramming Program Manager Defense Advanced Research Projects Agency DARPA Strategic Technology Office A thorough comprehensive treatment of mobile ad hoc network management Mobile ad hoc networking is a hot topic gaining importance in both commercial and military arenas Now that the basics in the field have settled and standards are emerging the time is right for a book on management of these networks From two experts in the field Policy Driven Mobile Ad hoc Network Management provides comprehensive coverage of the management challenges associated with mobile ad hoc networks MANETs and includes an in depth discussion of how policy based network management can be used for increasing automation in the management of mobile ad hoc networks This book provides readers with a complete understanding of mobile ad hoc network management and many related topics including Network management requirements for MANETs with an emphasis on the differences between the management requirements for MANETs as compared to static wireline networks The use of policies for managing MANETs to increase automation and to tie together management components via policies Policy conflict detection and resolution Aspects of MANETs that need to be configured and reconfigured at all layers of the protocol stack Methodologies for providing survivability in the face of both hard and soft failures in MANETs The components

of a Quality of Service QoS management solution for MANETs based on the widely used Differentiated Services DiffServ paradigm Important open research issues in the area of MANET management Policy Driven Mobile Ad hoc Network Management is an ideal resource for professionals researchers and advanced graduate students in the field of IP network management who are interested in mobile ad hoc networks Well Control for Completions and Interventions Howard Crumpton,2018-04-04 Well Control for Completions and Interventions explores the standards that ensure safe and efficient production flow well integrity and well control for oil rigs focusing on the post Macondo environment where tighter regulations and new standards are in place worldwide Too many training facilities currently focus only on the drilling side of the well s cycle when teaching well control hence the need for this informative guide on the topic This long awaited manual for engineers and managers involved in the well completion and intervention side of a well s life covers the fundamentals of design equipment and completion fluids In addition the book covers more important and distinguishing components such as well barriers and integrity envelopes well kill methods specific to well completion and other forms of operations that involve completion like pumping and stimulation including hydraulic fracturing and shale coiled tubing wireline and subsea intervention Provides a training guide focused on well completion and intervention Includes coverage of subsea and fracturing operations Presents proper well kill procedures Allows readers to quickly get up to speed on today s regulations post Macondo for well integrity barrier management and other critical operation components *Proceedings of the International Field Exploration and Development Conference 2023* Jia'en Lin,2024-03-11 This book focuses on reservoir surveillance and management reservoir evaluation and dynamic description reservoir production stimulation and EOR ultra tight reservoir unconventional oil and gas resources technology oil and gas well production testing and geomechanics This book is a compilation of selected papers from the 13th International Field Exploration and Development Conference IFEDC 2023 The conference not only provides a platform to exchanges experience but also promotes the development of scientific research in oil gas exploration and production The main audience for the work includes reservoir engineer geological engineer enterprise managers senior engineers as well as students *Proceedings - Offshore Technology Conference* ,1998

Federal Register ,1999-07-08 **A Guide to Coalbed Methane Operations** Vicki A. Hollub,Paul S. Schafer,1992

The Oil and Gas Journal ,1930 *Petroleum Engineering Handbook* Howard B. Bradley,Fred W. Gipson,1987

Proceedings ... SPE Annual Technical Conference and Exhibition Society of Petroleum Engineers (U.S.). Technical Conference and Exhibition,1992 **The Standard and Poor's 500 Guide** Standard & Poor's,2005-12 Text and statistical data on 500 individual companies **Drilling International** ,1967 **Petroleum Engineer International** ,1982

Petroleum Engineering Handbook Larry W. Lake,2006 The Petroleum Engineering Handbook has long been recognized as a valuable comprehensive reference book that offers practical day to day applications for students and experienced engineering professionals alike The Petroleum Engineering Handbook is now a series of 7 volumes Volume IV

Production Operations Engineering will bring readers up to date in the areas of design equipment selection and operation procedures for most oil and gas wells Chapters cover three main topic areas well completions problems caused by formation damage and artificial lift a major concern for production engineers **Training Manual** United States. Army. Signal Corps,1925

Unveiling the Power of Verbal Art: An Psychological Sojourn through **Wireline Operations Manual**

In a world inundated with monitors and the cacophony of fast conversation, the profound power and mental resonance of verbal beauty usually diminish into obscurity, eclipsed by the continuous barrage of noise and distractions. However, set within the lyrical pages of **Wireline Operations Manual**, a interesting work of fictional splendor that pulses with natural feelings, lies an wonderful journey waiting to be embarked upon. Written with a virtuoso wordsmith, this interesting opus instructions viewers on an emotional odyssey, softly revealing the latent possible and profound impact embedded within the complex internet of language. Within the heart-wrenching expanse of the evocative analysis, we shall embark upon an introspective exploration of the book is central subjects, dissect its interesting publishing fashion, and immerse ourselves in the indelible effect it leaves upon the depths of readers souls.

<https://py.bijouxmedusa.com/public/publication/HomePages/Jobs%20Explained%20America%2068%202918%20Remote%20Jobs%20Explained%20For%20Creators.pdf>

Table of Contents Wireline Operations Manual

1. Understanding the eBook Wireline Operations Manual
 - The Rise of Digital Reading Wireline Operations Manual
 - Advantages of eBooks Over Traditional Books
2. Identifying Wireline Operations Manual
 - Exploring Different Genres
 - Considering Fiction vs. Non-Fiction
 - Determining Your Reading Goals
3. Choosing the Right eBook Platform
 - Popular eBook Platforms
 - Features to Look for in an Wireline Operations Manual
 - User-Friendly Interface
4. Exploring eBook Recommendations from Wireline Operations Manual

- Personalized Recommendations
 - Wireline Operations Manual User Reviews and Ratings
 - Wireline Operations Manual and Bestseller Lists
5. Accessing Wireline Operations Manual Free and Paid eBooks
 - Wireline Operations Manual Public Domain eBooks
 - Wireline Operations Manual eBook Subscription Services
 - Wireline Operations Manual Budget-Friendly Options
 6. Navigating Wireline Operations Manual eBook Formats
 - ePub, PDF, MOBI, and More
 - Wireline Operations Manual Compatibility with Devices
 - Wireline Operations Manual Enhanced eBook Features
 7. Enhancing Your Reading Experience
 - Adjustable Fonts and Text Sizes of Wireline Operations Manual
 - Highlighting and Note-Taking Wireline Operations Manual
 - Interactive Elements Wireline Operations Manual
 8. Staying Engaged with Wireline Operations Manual
 - Joining Online Reading Communities
 - Participating in Virtual Book Clubs
 - Following Authors and Publishers Wireline Operations Manual
 9. Balancing eBooks and Physical Books Wireline Operations Manual
 - Benefits of a Digital Library
 - Creating a Diverse Reading Collection Wireline Operations Manual
 10. Overcoming Reading Challenges
 - Dealing with Digital Eye Strain
 - Minimizing Distractions
 - Managing Screen Time
 11. Cultivating a Reading Routine Wireline Operations Manual
 - Setting Reading Goals Wireline Operations Manual
 - Carving Out Dedicated Reading Time
 12. Sourcing Reliable Information of Wireline Operations Manual

- Fact-Checking eBook Content of Wireline Operations Manual
 - Distinguishing Credible Sources
13. Promoting Lifelong Learning
- Utilizing eBooks for Skill Development
 - Exploring Educational eBooks
14. Embracing eBook Trends
- Integration of Multimedia Elements
 - Interactive and Gamified eBooks

Wireline Operations Manual Introduction

In today's digital age, the availability of Wireline Operations Manual books and manuals for download has revolutionized the way we access information. Gone are the days of physically flipping through pages and carrying heavy textbooks or manuals. With just a few clicks, we can now access a wealth of knowledge from the comfort of our own homes or on the go. This article will explore the advantages of Wireline Operations Manual books and manuals for download, along with some popular platforms that offer these resources. One of the significant advantages of Wireline Operations Manual books and manuals for download is the cost-saving aspect. Traditional books and manuals can be costly, especially if you need to purchase several of them for educational or professional purposes. By accessing Wireline Operations Manual versions, you eliminate the need to spend money on physical copies. This not only saves you money but also reduces the environmental impact associated with book production and transportation. Furthermore, Wireline Operations Manual books and manuals for download are incredibly convenient. With just a computer or smartphone and an internet connection, you can access a vast library of resources on any subject imaginable. Whether you're a student looking for textbooks, a professional seeking industry-specific manuals, or someone interested in self-improvement, these digital resources provide an efficient and accessible means of acquiring knowledge. Moreover, PDF books and manuals offer a range of benefits compared to other digital formats. PDF files are designed to retain their formatting regardless of the device used to open them. This ensures that the content appears exactly as intended by the author, with no loss of formatting or missing graphics. Additionally, PDF files can be easily annotated, bookmarked, and searched for specific terms, making them highly practical for studying or referencing. When it comes to accessing Wireline Operations Manual books and manuals, several platforms offer an extensive collection of resources. One such platform is Project Gutenberg, a nonprofit organization that provides over 60,000 free eBooks. These books are primarily in the public domain, meaning they can be freely distributed and downloaded. Project Gutenberg offers a wide range of classic literature, making it an excellent resource for literature enthusiasts. Another popular platform for

Wireline Operations Manual books and manuals is Open Library. Open Library is an initiative of the Internet Archive, a non-profit organization dedicated to digitizing cultural artifacts and making them accessible to the public. Open Library hosts millions of books, including both public domain works and contemporary titles. It also allows users to borrow digital copies of certain books for a limited period, similar to a library lending system. Additionally, many universities and educational institutions have their own digital libraries that provide free access to PDF books and manuals. These libraries often offer academic texts, research papers, and technical manuals, making them invaluable resources for students and researchers. Some notable examples include MIT OpenCourseWare, which offers free access to course materials from the Massachusetts Institute of Technology, and the Digital Public Library of America, which provides a vast collection of digitized books and historical documents. In conclusion, Wireline Operations Manual books and manuals for download have transformed the way we access information. They provide a cost-effective and convenient means of acquiring knowledge, offering the ability to access a vast library of resources at our fingertips. With platforms like Project Gutenberg, Open Library, and various digital libraries offered by educational institutions, we have access to an ever-expanding collection of books and manuals. Whether for educational, professional, or personal purposes, these digital resources serve as valuable tools for continuous learning and self-improvement. So why not take advantage of the vast world of Wireline Operations Manual books and manuals for download and embark on your journey of knowledge?

FAQs About Wireline Operations Manual Books

How do I know which eBook platform is the best for me? Finding the best eBook platform depends on your reading preferences and device compatibility. Research different platforms, read user reviews, and explore their features before making a choice. Are free eBooks of good quality? Yes, many reputable platforms offer high-quality free eBooks, including classics and public domain works. However, make sure to verify the source to ensure the eBook credibility. Can I read eBooks without an eReader? Absolutely! Most eBook platforms offer web-based readers or mobile apps that allow you to read eBooks on your computer, tablet, or smartphone. How do I avoid digital eye strain while reading eBooks? To prevent digital eye strain, take regular breaks, adjust the font size and background color, and ensure proper lighting while reading eBooks. What the advantage of interactive eBooks? Interactive eBooks incorporate multimedia elements, quizzes, and activities, enhancing the reader engagement and providing a more immersive learning experience. Wireline Operations Manual is one of the best book in our library for free trial. We provide copy of Wireline Operations Manual in digital format, so the resources that you find are reliable. There are also many Ebooks of related with Wireline Operations Manual. Where to download Wireline Operations Manual online for free? Are you looking for Wireline Operations Manual PDF? This is definitely

going to save you time and cash in something you should think about.

Find Wireline Operations Manual :

[jobs explained America 68-2918 remote jobs explained for creators](#)
[crypto investing for beginners United States 68-397 crypto investing for](#)
[explained for creators 68-1838 travel tips explained for entrepreneurs](#)
68-2294 travel tips checklist United States 68-2658 travel tips
[beginners USA 68-182 interview tips for beginners United States 68-992](#)
for startups 68-589 print on demand apps USA 68-1428 print on demand
[entrepreneurs 68-2950 freelancing online best practices America 68-2396](#)
[startups 68-295 passive income ideas apps America 68-2534 passive income](#)
[68-1618 cloud computing apps for startups 68-1700 cloud computing best](#)
[development roadmap America 68-1087 chatbot development roadmap America](#)
[United States 68-2930 business automation explained for entrepreneurs](#)
[creators 68-405 real estate investing case study USA 68-2409 real estate](#)
[America 68-2165 AI marketing checklist America 68-767 AI marketing](#)
[68-1909 real estate investing apps for startups 68-2136 real estate](#)
[business 68-1283 print on demand blueprint for small business 68-790](#)

Wireline Operations Manual :

[minecraft la batalla de zombie hill una increíble aventura para](#) - Jul 15 2023
web minecraft la batalla de zombie hill una increíble aventura para minecrafters osa nancy amazon com tr kitap
[minecraft la batalla de zombie hill una increíble aventura para](#) - Jun 14 2023
web milagrosamente logra sobrevivir y alcanzar tierra pero dónde se encuentra qué nuevos peligros le esperan por suerte
encuentra a frida la única habitante de uno de los tramos de la playa que enseñará a rob todos los trucos para sobrevivir
[minecraft la batalla de zombie hill una increíble lynda behling](#) - Jan 09 2023
web we provide minecraft la batalla de zombie hill una increíble and numerous book collections from fictions to scientific
research in any way among them is this minecraft la batalla de zombie hill una increíble that can be
minecraft la batalla de zombie hill null null sam s club - Aug 04 2022

web minecraft la batalla de zombie hill null null a precio de socio compra las mejores marcas de java lang object 75b5b0d1 y descubre nuestras ofertas en la cuponera sam s

minecraft la batalla de zombie hill una increíble aventura para - Dec 08 2022

web la batalla de zombie hill una increíble aventura para minecrafters 9788467045611 by osa nancy and a great selection of similar new used and collectible books available now at great prices minecraft

minecraft la batalla de zombie hill una increíble copy - Jul 03 2022

web minecraft la batalla de zombie hill una increíble downloaded from win raid com by guest lawrence cruz thanos vs hulk alfaguara infantiles y juveniles the incredible tale of a little game that shook the international gaming world now with new material including a behind the scenes look at the sale to microsoft

minecraft la batalla de zombie hill una increíble 2022 - Jan 29 2022

web increíble video games coloring book minecraft la batalla de zombie hill dark days la conspiración alienígena fornite secretos de la isla 2 afv photo album battle for the nether minecraft la batalla de zombie hill batalla de tormenta fornite secretos de la isla 1 how to draw for minecrafters 2 foundation form creation with adobe

minecraft la batalla de zombie hill una increíble pdf 2023 - May 01 2022

web minecraft la batalla de zombie hill una increíble pdf pages 2 6 minecraft la batalla de zombie hill una increíble pdf upload arnold g grant 2 6 downloaded from digitalworkgroup skidmore edu on september 4 2023 by arnold g grant the ultimate player s guide to minecraft playstation edition

minecraft la batalla de zombie hill by nancy osa open library - Apr 12 2023

web sep 8 2015 minecraft la batalla de zombie hill una increíble aventura para minecrafters by nancy osa 0 ratings 0 want to read 0 currently reading 0 have read

minecraft la batalla de zombie hill una increíble download only - Oct 06 2022

web minecraft la batalla de zombie hill una increíble minecraft la batalla de zombie hill feb 04 2023 el avión en el que rob regresaba de sus vacaciones sufre un accidente y se estrella contra el océano milagrosamente logra sobrevivir y alcanzar tierra pero dónde se encuentra qué nuevos peligros le esperan por suerte

minecraft la batalla de zombie hill una increíble pdf 2023 - Feb 27 2022

web minecraft la batalla de zombie hill una increíble pdf introduction minecraft la batalla de zombie hill una increíble pdf 2023 closure limited max brooks 2012 03 01 a terrifying collection of short stories from the master of zombie fiction max brooks written in his trademark style these tales combine horror drama and socio

pdf minecraft la batalla de zombie hill by nancy osa perlego - Mar 11 2023

web qué nuevos peligros le esperan por suerte encuentra a frida la única habitante de uno de los tramos de la playa que

enseñará a rob todos los trucos para sobrevivir pero rob echa de menos a su familia así que decidido a encontrar el camino de vuelta a casa emprende su camino para atravesar las montañas extremas

el corte inglés - Nov 07 2022

web minecraft la batalla de zombie hill una increíble aventura para minecrafters tapa blanda

[minecraft la batalla de zombie hill una increíble aventura para](#) - Aug 16 2023

web sep 8 2015 la batalla de zombie hill una increíble aventura para minecrafters nancy osa grupo planeta spain sep 8 2015 juvenile fiction 224 pages primera entrega de la serie defensores

minecraft la batalla de zombie hill una increíble aventura para - May 13 2023

web jul 7 2015 minecraft la batalla de zombie hill book read 4 reviews from the world s largest community for readers el avión en el que rob regresaba de sus vacacio

[minecraft la batalla de zombie hill una increíble copy](#) - Mar 31 2022

web minecraft la batalla de zombie hill una increíble at arm s length hacks for minecrafters combat edition diary of an 8 bit warrior book 1 8 bit warrior series la batalla por el inframundo battle for the nether plants vs zombies volume 1

lawnmageddon space and beyond battle storm dark days la conspiración alienígena

minecraft la batalla de zombie hill una increíble aventura para - Sep 05 2022

web sep 28 2018 pdf minecraft la batalla de zombie hill una increíble aventura para minecrafters epub adobe drm download by deman his works include the forever war minecraft la batalla de zombie hill una increíble aventura para minecrafters pdf kindle camouflage 1968 the worlds saga and the marsbound series haldeman

minecraft la batalla de zombie hill overdrive - Feb 10 2023

web sep 8 2015 primera entrega de la serie defensores del overworld el avión en el que rob regresaba de sus vacaciones sufre un accidente y se estrella contra el océano milagrosamente logra sobrevivir y alcanzar tierra pero dónde se

[minecraft la batalla de zombie hill una increíble 2022 ftp](#) - Dec 28 2021

web minecraft la batalla de zombie hill una increíble downloaded from ftp thedevonshirelondon co uk by guest jaslyn pearson the ultimate player s guide to minecraft playstation edition national geographic books llega la primera entrega de una nueva y emocionante saga basada en fortnite el videojuego del momento

minecraft la batalla de zombie hill una increíble - Jun 02 2022

web minecraft la batalla de zombie hill una increíble downloaded from verify meetcircle com by guest jazmine cayden dark days national geographic books la secuela de minecraft llena de acción de invasion of the overworld

finale a caraval novel english edition ebook amazon it - Nov 09 2022

finale is the thrilling and surprising conclusion entertainment weekly to the 1 new york times bestselling caraval trilogy it s

been two months since the fates were freed since legend claimed the throne for his own and since tella discovered the boy she fell in love with doesn't really exist

[finale a caraval novel kindle edition amazon com](#) - Aug 18 2023

may 7 2019 finale is the thrilling and surprising conclusion entertainment weekly to the 1 new york times bestselling caraval trilogy it's been two months since the fates were freed since legend claimed the throne for his own and since tella discovered the boy she fell in love with doesn't really exist with lives empires and hearts

finale a caraval novel english edition ebook amazon es - Aug 06 2022

finale is the thrilling and surprising conclusion entertainment weekly to the 1 new york times bestselling caraval trilogy it's been two months since the fates were freed since legend claimed the throne for his own and since tella discovered the boy she fell in love with doesn't really exist

[finale a caraval novel by garber stephanie amazon ae](#) - Sep 07 2022

buy finale a caraval novel by garber stephanie online on amazon ae at best prices fast and free shipping free returns cash on delivery available on eligible purchase

[finale caraval 3 amazon com](#) - Jan 11 2023

may 5 2020 it's been two months since the fates were freed since legend claimed the throne for his own and since tella discovered the boy she fell in love with doesn't really exist with lives empires and hearts hanging in the balance tella must decide if

finale a caraval novel caraval 3 amazon com tr - Jul 17 2023

a love worth fighting for a dream worth dying for an ending worth waiting for it's been two months since the fates were freed from a deck of cards two months since legend claimed the throne for his own and two months since tella discovered the boy she fell in

finale a caraval novel english edition ebook kindle - Mar 01 2022

compre finale a caraval novel english edition de garber stephanie na amazon com br confira também os ebooks mais vendidos lançamentos e livros digitais exclusivos finale a caraval novel english edition ebooks em inglês na amazon com br *finale a caraval novel english edition edición kindle* - Apr 02 2022

it's been two months since the fates were freed since legend claimed the throne for his own and since tella discovered the boy she fell in love with doesn't really exist with lives empires and hearts hanging in the balance tella must decide if she's going to trust legend or a

finale a caraval novel stephanie garber google books - Jul 05 2022

finale a caraval novel stephanie garber flatiron books 2019 young adult fiction 478 pages it has been two months since the

fates were set free from a deck of cards since legend

finale a caraval novel english edition kindle edition amazon de - May 15 2023

may 7 2019 finale is the thrilling and surprising conclusion entertainment weekly to the 1 new york times bestselling caraval trilogy it s been two months since the fates were freed since legend claimed the throne for his own and since tella discovered the boy she fell in love with doesn t really exist

finale a caraval novel google play - Mar 13 2023

finale is the thrilling and surprising conclusion entertainment weekly to the 1 new york times bestselling caraval trilogy it s been two months since the fates were freed since legend

[finale caraval series book 3 caraval 3 english edition](#) - May 03 2022

achetez et téléchargez ebook finale caraval series book 3 caraval 3 english edition boutique kindle action adventure amazon fr

finale a caraval novel english edition kindle ausgabe amazon de - Jun 04 2022

finale a caraval novel english edition ebook garber stephanie amazon de kindle shop

finale a caraval novel english edition ebook kindle - Oct 08 2022

a love worth fighting for a dream worth dying for an ending worth waiting for it s been two months since the fates were freed from a deck of cards two months since legend claimed the throne for his own and two months since tella discovered the boy she fell in

finale a caraval novel english edition ebook amazon fr - Feb 12 2023

finale a caraval novel english edition ebook garber stephanie amazon fr livres

finale a caraval novel caraval 3 amazon com - Sep 19 2023

may 7 2019 hardcover 13 80 36 used from 3 43 24 new from 12 00 1 collectible from 30 00 welcome welcome to finale the third and final book in stephanie garber s 1 new york times bestselling caraval series a love worth fighting for a dream worth dying for

amazon com finale a caraval novel book 3 audible audio edition - Jan 31 2022

finale a caraval novel book 3 audible audiobook unabridged narrator rebecca soler returns for the final installment in the caraval trilogy the magic the fear the betrayal and especially the heartbreak are all magnified by her skillful narration an intense listen that is

[finale a caraval novel stephanie garber google books](#) - Jun 16 2023

may 7 2019 finale a caraval novel stephanie garber flatiron books may 7 2019 young adult fiction 416 pages finale is the thrilling and surprising conclusion entertainment weekly to the

finale a caraval novel kindle edition amazon ca - Dec 10 2022

may 7 2019 welcome welcome to finale the third book in stephanie garber s enchanting 1 new york times bestselling caraval trilogy a love worth fighting for a dream worth dying for an ending worth waiting for

finale a caraval novel caraval 3 amazon com - Apr 14 2023

may 7 2019 the most obvious proof of that is the perspectives of each novel caraval was told entirely from scarlett s point of view and legendary was told entirely from tella s point of view finale literally combines them and we get alternating perspectives from both sisters the single perspectives worked very well in the other books

[the earth is trembling Édouard glissant in conversation](#) - Jun 04 2022

dec 20 2021 Édouard glissant the earth is trembling systems of thought have been demolished and there are no more straight paths there are endless floods eruptions earthquakes fires today the world is unpredictable and in such a world utopia is necessary but utopia needs trembling thinking we cannot discuss utopia with fixed ideas

the afterwords of Édouard glissant francosphères - Sep 07 2022

jan 6 2022 in the years that have followed Édouard glissant s death in february 2011 his peers exegetes and spiritual heirs have striven to shape the reception of his work and to establish his place in various philosophical and literary traditions

[glissant edouard postcolonial studies emory university](#) - May 15 2023

nov 4 2015 glissant edouard edouard glissant was born in saint marie martinique in 1928 to a family of five children his father was working as an agricultural manager or g reur d habitation 1 and directly exposed the young edward to the colonial reality

 douard glissant author of poetics of relation goodreads - Feb 12 2023

feb 3 2011 poetry philosophy edit data  douard glissant was a french writer poet philosopher and literary critic from martinique he is widely recognised as one of the most influential figures in caribbean thought and cultural commentary

 douard glissant wikipedia - Mar 01 2022

 douard glissant 21 september 1928 in beaudin martinique 3 februar 2011 in paris war ein franz sischer schriftsteller dichter und philosoph er gilt als bedeutender autor der franz sischsprachigen karibik und als einer der intellektuellen vordenker zu fragen postkolonialer identit t und kulturtheorie 1 inhaltsverzeichnis 1 biographie

[poetics of relation monoskop](#) - May 03 2022

discourses in glissant s work agents has resonance in every day language agents de presse etc but also carries overtones of political agency  clat and  clater the verb is frequently repeated throughout glissant s poetry and prose  clat in the case of agents d  clat has a somewhat pejorative sense it is the

 douard glissant wikipedia - Sep 19 2023

Édouard glissant Édouard glissant 21 september 1928 3 february 2011 1 was a french writer poet philosopher and literary critic from martinique he is widely recognised as one of the most influential figures in caribbean thought and cultural commentary and francophone literature 1

edouard glissant books the guardian - Jun 16 2023

feb 13 2011 edouard glissant who has died aged 82 was one of the most important writers of the french caribbean his novels with their combination of textual complexity and emotional intensity first

Édouard glissant caribbean poetry novels britannica - Jul 17 2023

sep 17 2023 Édouard glissant french speaking west indian poet and novelist who belonged to the literary africanism movement glissant was a disciple and fellow countryman of the poet aimé césaire who founded the negritude movement to promote an african culture free of all colonial influences

library of glissant studies home - Jan 11 2023

welcome to the library of glissant studies logs this collaborative open access project aims to collect and make works by and on martinican author Édouard glissant 1928 2011 widely accessible

Édouard glissant philosopher heraclitus and hegel in the - Dec 10 2022

feb 3 2022 alexandre leupin s study of Édouard glissant as a philosopher offers an unusual and ambitious reading of glissant s work rather than conceiving him as a caribb

Édouard glissant wikipédia - Aug 18 2023

mathieu Édouard glissant né le 21 septembre 1928 à sainte marie en martinique et mort le 3 février 2011 à paris 15e est un romancier poète et philosophe français il obtient le prix renaudot en 1958 pour son roman la lézarde

[glissant edouard global social theory](#) - Oct 08 2022

edouard glissant 1928 2011 was a martinican poet novelist and theorist he is especially known for his poetics of relation an exploration of relational belonging as a decolonial poetic intervention

comprendre le tout monde d Édouard glissant radio france - Jan 31 2022

aug 29 2018 Édouard glissant est un penseur de la complexité son esthétique du tout monde met en relation la politique la philosophie et la poésie avec ce concept il questionne la créolisation globale du monde dynamique récente généralisée et accélérée en proie au phénomène de mondialisation

Édouard glissant 1928 2011 poète d un monde à venir radio - Aug 06 2022

dec 12 2020 patrick chamoiseau l œuvre d edouard glissant nous donne la clé du monde contemporain la 1ère 21 septembre 2015 sylvie séma glissant nos imaginaires traversants dans la revue l insatiable aubervilliers en archipels artistes habitants 2018 entretien avec juliette Éloi blézès à propos de son livre de la lézarde à ormerod

poetics of relation glissant Édouard 1928 2011 free - Jul 05 2022

in this book french caribbean writer and philosopher Édouard glissant turns the concrete particulars of caribbean reality into a complex vision of a world in transformation he sees the islands of the antilles as enduring as invalid suffering imposed by history yet also as a place whose unique interactions will one day produce an emerging

the right to opacity reading fred moten and Édouard glissant - Apr 14 2023

mar 21 2022 navigate the works of glissant and moten with moderate confidence establish an understanding of theorists artists and writers related to glissant and moten describe the political implications of glissant s right to opacity

Édouard glissant a poetics of resistance university of - Mar 13 2023

abstract description of output Édouard glissant was a leading voice in debates centering on the postcolonial condition and on the present and future of globalisation prolific as both a theorist and a literary author glissant started his career as a contemporary of frantz fanon in the early days of francophone postcolonial thought

the collected poems of Édouard glissant - Nov 09 2022

Édouard glissant 1928 2011 was one of the most influential postcolonial theorists novelists playwrights and poets not only in the caribbean but also in contemporary french letters he has twice been a finalist for the nobel prize in literature as well as the recipient of the prix renaudot and the prix charles veillon in france

edouard glissant biographie fondation pour la memoire de - Apr 02 2022

edouard glissant 1928 2011 est un écrivain et philosophe martiniquais sa jeunesse est marquée par un engagement militant pour la libération des colonies et d un intérêt pour le mouvement surréaliste en 1946 il s installe à paris afin de suivre des études de philosophie à la sorbonne et d ethnographie au musée de l homme