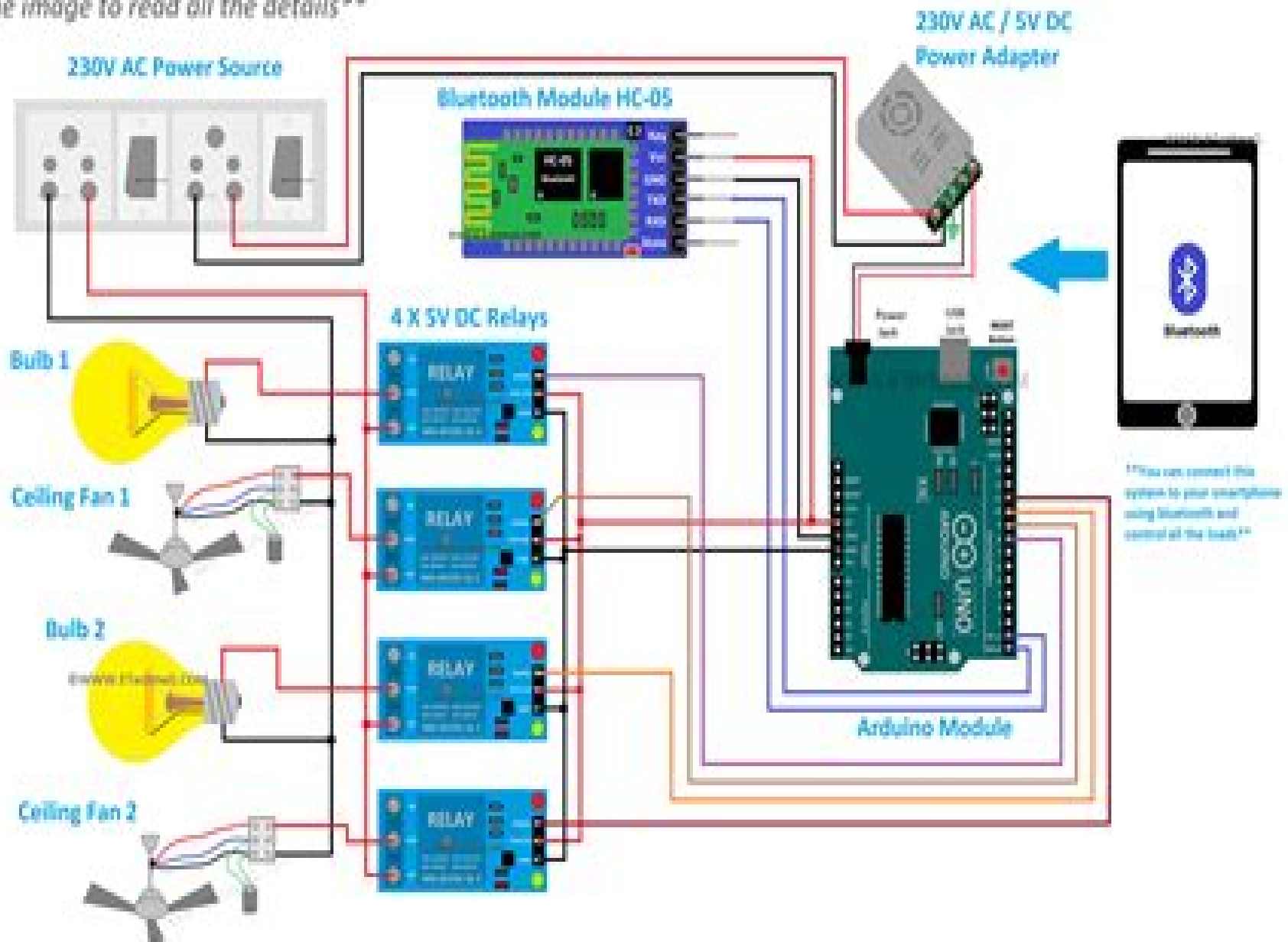


Figure.01:

Smart Home Automation System using Arduino

Zoom in the image to read all the details



Bluetooth Based Home Automation And Security System Using Arm9

Bill Pretty



Bluetooth Based Home Automation And Security System Using Arm9:

Handbook of Research on the IoT, Cloud Computing, and Wireless Network Optimization Singh, Surjit, Mohan Sharma, Rajeev, 2019-03-29 ICT technologies have contributed to the advances in wireless systems which provide seamless connectivity for worldwide communication The growth of interconnected devices and the need to store manage and process the data from them has led to increased research on the intersection of the internet of things and cloud computing The Handbook of Research on the IoT Cloud Computing and Wireless Network Optimization is a pivotal reference source that provides the latest research findings and solutions for the design and augmentation of wireless systems and cloud computing The content within this publication examines data mining machine learning and software engineering and is designed for IT specialists software engineers researchers academicians industry professionals and students **Intelligent**

Communication, Control and Devices Rajesh Singh, Sushabhan Choudhury, Anita Gehlot, 2018-04-10 The book focuses on the integration of intelligent communication systems control systems and devices related to all aspects of engineering and sciences It contains high quality research papers presented at the 2nd international conference ICICCD 2017 organized by the Department of Electronics Instrumentation and Control Engineering of University of Petroleum and Energy Studies Dehradun on 15 and 16 April 2017 The volume broadly covers recent advances of intelligent communication intelligent control and intelligent devices The work presented in this book is original research work findings and practical development experiences of researchers academicians scientists and industrial practitioners **Wearable/Personal Monitoring**

Devices Present to Future Gaetano D. Gargiulo, Ganesh R. Naik, 2021-10-26 This book discusses recent advances in wearable technologies and personal monitoring devices covering topics such as skin contact based wearables electrodes non contact wearables the Internet of things IoT and signal processing for wearable devices Although it chiefly focuses on wearable devices and provides comprehensive descriptions of all the core principles of personal monitoring devices the book also features a section on devices that are embedded in smart appliances furniture e g chairs which despite their limitations have taken the concept of unobtrusiveness to the next level Wearable and personal devices are the key to precision medicine and the medical community is finally exploring the opportunities offered by long term monitoring of physiological parameters that are collected during day to day life without the bias imposed by the clinical environment Such data offers a prime view of individuals physical condition as well as the efficacy of therapy and occurrence of events Offering an in depth analysis of the latest advances in smart and pervasive wearable devices particularly those that are unobtrusive and invisible and addressing topics not covered elsewhere the book will appeal to medical practitioners and engineers alike

Metaheuristic and Machine Learning Optimization Strategies for Complex Systems R., Thanigaivelan, M., Suchithra, S., Kaliappan, Mothilal, T., 2024-07-17 In contemporary engineering domains optimization and decision making issues are crucial Given the vast amounts of available data processing times and memory usage can be substantial

Developing and implementing novel heuristic algorithms is time consuming yet even minor improvements in solutions can significantly reduce computational costs. In such scenarios, the creation of heuristics and metaheuristic algorithms has proven advantageous. The convergence of machine learning and metaheuristic algorithms offers a promising approach to address these challenges. Metaheuristic and Machine Learning Optimization Strategies for Complex Systems covers all areas of comprehensive information about hyper heuristic models, hybrid meta heuristic models, nature inspired computing models, and meta heuristic models. The key contribution of this book is the construction of a hyper heuristic approach for any general problem domain from a meta heuristic algorithm. Covering topics such as cloud computing, internet of things, and performance evaluation, this book is an essential resource for researchers, postgraduate students, educators, data scientists, machine learning engineers, software developers, and engineers, policy makers, and more.

Emerging Trends in Electrical, Communications, and Information Technologies T. Hitendra Sarma, V. Sankar, Rafi Ahamed Shaik, 2019-09-24. This book includes original peer reviewed research from the 3rd International Conference on Emerging Trends in Electrical Communication and Information Technologies ICECIT 2018 held at Srinivasa Ramanujan Institute of Technology Ananthapuramu Andhra Pradesh India in December 2018. It covers the latest research trends and developments in the areas of Electrical Engineering, Electronic and Communication Engineering, and Computer Science and Information **Research Anthology on Cross-Disciplinary Designs and Applications of Automation** Management Association, Information Resources, 2021-10-29. Throughout human history, technological advancements have been made for the ease of human labor. With our most recent advancements, it has been the work of scholars to discover ways for machines to take over a large part of this labor and reduce human intervention. These advancements may become essential processes to nearly every industry. It is essential to be knowledgeable about automation so that it may be applied. **Research Anthology on Cross Disciplinary Designs and Applications of Automation** is a comprehensive resource on the emerging designs and application of automation. This collection features a number of authors spanning multiple disciplines such as home automation, healthcare automation, government automation, and more. Covering topics such as human machine interaction, trust, calibration, and sensors, this research anthology is an excellent resource for technologists, IT specialists, computer engineers, systems and software engineers, manufacturers, engineers, government officials, professors, students, healthcare administration managers, CEOs, researchers, and academicians.

Integrated Green Energy Solutions, Volume 1 Milind Shrinivas Dangate, W. S. Sampath, O. V. Gnana Swathika, Sanjeevikumar Padmanaban, 2023-05-12. **INTEGRATED GREEN ENERGY SOLUTIONS**. This first volume in a two volume set presents the state of the art for the concepts, practical applications, and future of renewable energy and how to move closer to true sustainability. Renewable energy supplies are of ever increasing environmental and economic importance in every country worldwide. A wide range of renewable energy technologies has been established commercially and recognized as an important set of growth industries for most governments. World agencies including the United Nations

have extensive programs to encourage these emerging technologies This book will bridge the gap between descriptive reviews and specialized engineering technologies It centers on demonstrating how fundamental physical processes govern renewable energy resources and their applications Although the applications are updated continually the fundamental principles remain the same and this book will provide a useful platform for those advancing the subject and its industries Integrated Resilient Energy Solutions is a two volume set covering subjects of proven technical and economic importance worldwide Energy supply from renewables is an essential component of every nation s strategy especially when there is responsibility for the environment and sustainability These two volumes will consider the timeless renewable energy technologies principles yet demonstrate modern applications and case studies Whether for the veteran engineer student or other professional these two volumes are a must have for any library

Information and Communication Technology
Durgesh Kumar Mishra,Ahmad Taher Azar,Amit Joshi,2017-10-12 This book volume contains 31 papers presented at ICICT 2016 Second International Congress on Information and Communication Technology The conference was held during 12 13 December 2016 Bangkok Thailand and organized communally by G R Foundation and Computer Society of India Division IV Communication and Division V Education and Research This volume contains papers mainly focused on ICT for computation algorithms and data analytics and IT security

Home Automation Via Bluetooth Using the Arduino Uno Microcontroller
Ayush Kumar,2016 Abstract Home automation systems have gained popularity in recent years paralleling the advances in the concept of the Internet of Things The current project presents the implementation of an inexpensive home automation system within the framework of assistive technology The system implementation is based on the Arduino microcontroller with Bluetooth communications capability and it is designed for use by the elderly and people with disabilities The system is user friendly with an intuitive interface implemented on an Android based smart phone Demonstrations show that the system facilitates control of home appliances lights heating cooling systems and security devices by the intended users i e the elderly and the disabled

BLUETOOTH BASED HOME AUTOMATION SYSTEM OMER FAROOQ (TP016040),2012

Building Smart Home Automation Solutions with Home Assistant Marco Carvalho,2023-09-15 A step by step guide to building cost effective and complete home automation DIY projects using tools such as Home Assistant Raspberry Pi IoT devices the Tasmota sensor ESP32 and Grafana Key Features Learn by doing using real life practical examples to build your own home automation system Create hack and configure IoT devices through hands on projects to be used with or without Home Assistant Customize your home automation system using Home Assistant Node RED InfluxDB and Grafana Purchase of the print or Kindle book includes a free PDF eBook Book DescriptionPicture a home where you can adjust the lighting based on the time of day or when movement is detected In this same home you can also detect when a door is unexpectedly opened or an alarm is triggered in response to any suspicious activity Such automated devices form part of a smart home and the exciting part is that this book teaches you how to create and manage these devices all by yourself This book helps you create

your own ecosystem to automate your home using Home Assistant software You'll begin by understanding the components of a home automation system and learn how to create and configure them to operate seamlessly Then you'll set up Home Assistant on a Raspberry Pi to work as a home automation server build your own IoT sensors based on ESP32 ESP8266 and set up real life automation use cases using hands on examples and projects The chapters will also guide you in using software tools such as Node RED InfluxDB and Grafana to manage present and use data collected from your Home Automation devices Finally you'll gain insights into new technologies and trends in the home automation space to help you continue with your learning journey By the end of this book you'll be able to build your own creative IoT based home automation system using different hardware and software technologies What you will learn Understand the fundamental concepts of home automation systems Set up a home automation system using Home Assistant and Raspberry Pi Create and configure ESP8266 based sensors to work with Home Assistant Hack a commercial actuator to work with Home Assistant using Tasmota Create automations customize and use applications with Home Assistant Leverage IoT software tools to take your home automation to the next level Work on hands on projects including LED strip lights and an ESP32 five zone temperature logger Explore home automation FAQs emerging technologies and trends Who this book is for The book is for engineers developers students makers and enthusiasts who are working on or interested in working with electronics and IoT devices embedded systems systems integration computer software and coding to develop their own smart home automation systems Technicians teachers and other professionals who want to learn home automation related technologies will also find this book useful Prior experience of working with Raspberry Pi creating hardware prototypes and software programming will be beneficial

Home Automation Lisa Montgomery, Editor, Electronic House Magazine, 2014-09-12 Smart home automated home connected home or intelligent home Whatever you call it a home that's able to take the drudgery out of common everyday tasks is something that every family can appreciate In this inaugural book about home automation you'll learn how to incorporate the right types of products and systems into your house to achieve a new level of comfort convenience safety and efficiency The book walks you step by step through the process of automating your home and because automation systems are able to control just about anything electronic you can imagine we've provided plenty of practical ideas In 10 Key Features of a Home Automation System and Automation Ideas for Every System of Your House you'll gather more than enough recommendations to get started in your automation endeavor No matter how many great ideas you gather from our Home Automation book though it's important that the system you buy today incorporates the most recent iterations of control technologies We've followed the automation trends put them into perspective and offer advice on the critical new updates upgrades and upstarts you'll want to look into when selecting a system In addition to deciding what you want your automation system to do you'll want to determine whether you'd like to install the system yourself or hire a professional to handle the task Both methods offer their own unique set of advantages and disadvantages so be sure to read DIY or

Professionally Installed before making your decision You'll also want to check out our comprehensive directory of home automation manufacturers before taking the plunge Finally we finish the book with a series of finished automation installations which range from a basic starter package in a condo to a full blown bells and whistles system for a bigger house You'll see what types of features that owners of these homes chose to incorporate and hear how automation is truly making a difference in their lives The technology has been so carefully designed and meticulously installed that you may not even notice it in the full color photography of many of the rooms where lights motorized window shades and A V equipment have been automated to dim brighten turn on and off open and close and adjust and reset based on the time of day occupancy or the single touch of a button

Arduino Bluetooth Based Home Automation Mehmet AVCU,2021-01-05 [Arduino Bluetooth Based Home Automation](#)

[Arduino Home Automation Projects](#) Marco Schwartz,2014-07-23 This book is divided into projects that are explained in a step by step format with practical instructions that are easy to follow If you want to build your own home automation systems wirelessly using the Arduino platform this is the book for you You will need to have some basic experience in Arduino and general programming languages such as C and C++ to understand the projects in this book

[Building a Home Security System with BeagleBone](#) Bill Pretty,2013-12-17 Building a Home Security System with BeagleBone is a practical hands on guide for practical hands on people The book includes step by step instructions for assembling your own hardware on professionally manufactured PCB s and setting up the software on your system This book is for anyone who is interested in alarm systems and how they work for hobbyists and basement tinkerers who love to build things If you want to build the hardware described in this book you will need some basic soldering skills but all the parts are of the thru hole variety and are very easy to put together When it comes to software you can just run it as is but if you want to modify the code you will need knowledge of Java and IDEs

[Essential Guide to Smart Home Automation Safety and Security](#) Gerard O'Driscoll,2015-03-02 This book addresses readers who wish to gain an in depth understanding of Smart Home alarm and safety systems Detail is provided on six key smart systems that you can use to enhance your family's home security levels namely smart alarm systems Smart IP cameras Smart combo alarm devices smart access control smart locks and smart doorbells In addition to covering the integration of alarm and fire detection systems with your smartphone App this chapter also deals with adding smart air quality control water and freeze alert capabilities to your home This mini ebook includes technical illustrations examples of how smart homes are helping people insights from Gerard and details of an awesome monthly giveaway

Home Security System DIY Wireless IoT Using ESP32 CAM and Android Robert Chin,2022-08-07 This book shows you how you can save tons of money by building your own low cost maximum privacy and maximum security professional quality wireless home security system from common off the shelf parts You can monitor the home security system using your existing Android cell phone and existing home internet connection You will save lots of money on the home security system hardware itself as well as enjoy free email alert notifications and or low cost cell phone

text message alert notifications depending on the monitoring options you choose Easy to understand step by step instructions will be given so that the average non technical person will be able to assemble and operate this home security system The main components of the security system are the ESP32 CAM a motion sensor an Android cell phone and a home internet connection In addition custom software created by the author will be provided for the ESP32 and Android devices Security System Main Features Live Real Time Local Video Monitoring using multiple ESP32 CAM units Free Email Notifications With Images Using Your Existing Home Internet Connection Low Cost Text Message Notifications Using Your Android Cell Phone Easy Hardware Assembly and Simple Software Setup Procedure Use your existing Android cell phone to control and monitor your alarm system Modular sensor system allows you to add up to 11 ESP32 CAM units with motion sensors to the security system Maximum Security and Privacy Security System Basic Operation 1 Set up your security system for operation using your Controller cell phone 2 Activate the security system using your Controller cell phone 3 Receive emergency text alerts on your personal cell phone if the alarm has been tripped 4 Receive emergency emails with images of people that have tripped the sensors in or outside of your home to an email address you designate 5 If an intruder or other emergency is confirmed then call the police as needed

Wireless Based Home Security with Automation System Wan Norziela Wan Rosli,2010 The aim of the project is to design a wireless based home security with automation system The system uses wireless technology to revolutionize the standards of living which could give assurance for user to protect their homes from burglars thieves and criminals This project is so versatile and is equipped with various sensors such as passive infrared sensor magnetic switch sensor and vibration sensor to detect different forms of intrusion A microcontroller is used to control the system operation while a remote gadget is used to arm and disarm the system To ensure only the authorized user can operate the system the gadget is equipped with a password Various indication outputs such as BUZZER LED and LCD are used to display the alarm status In addition the sound indicators like siren are also included in the design to inform intrusion Due to the consideration of user friendliness portability as well as wider area coverage all the sensors and remote gadget are implemented using zigbee transceiver A backup battery module is also introduced in the design to ensure the system keep functioning even during power failure

Home Automation System Using Arduino System Via IR Sensor Akashdeep Singh,Varinder Singh,Gagandeep Singh,2018-10-07 This work presents the design and model implementation of a novel home automation system applying the Internet of Things IoT technology It seeks simplified design protocols for developing a robust home automation system to deal with the problems of complexity multiple incompatible standards and the resulting expenses in the existing systems The embedded system features the ubiquitous low cost 32 bit ESP8266 System on chip SoC module interfaced to some sensors and actuators for interaction in the home Flexibility in the remote access operation and management is achieved through HTML5 based intuitive mobile and web GUI applications Web Application Messaging Protocol WAMP is deployed to ensure that individual applications and systems seamlessly communicate with a relatively high

level of security using robust web service security protocol This system offers a cost effective and efficient solution excluded which are present mostly in other solutions because the costs of a dedicated public IP address and a high end computer are excluded which are present mostly in other solutions Advanced Home Security System Ali Abbas,2017

Recognizing the pretentiousness ways to get this ebook **Bluetooth Based Home Automation And Security System Using Arm9** is additionally useful. You have remained in right site to start getting this info. get the Bluetooth Based Home Automation And Security System Using Arm9 member that we offer here and check out the link.

You could buy lead Bluetooth Based Home Automation And Security System Using Arm9 or get it as soon as feasible. You could quickly download this Bluetooth Based Home Automation And Security System Using Arm9 after getting deal. So, when you require the book swiftly, you can straight acquire it. Its as a result totally simple and fittingly fats, isnt it? You have to favor to in this broadcast

<https://py.bijouxmedusa.com/About/browse/Documents/america%2028%201191%20minimalist%20lifestyle%20case%20study%20america%2028%2057.pdf>

Table of Contents Bluetooth Based Home Automation And Security System Using Arm9

1. Understanding the eBook Bluetooth Based Home Automation And Security System Using Arm9
 - The Rise of Digital Reading Bluetooth Based Home Automation And Security System Using Arm9
 - Advantages of eBooks Over Traditional Books
2. Identifying Bluetooth Based Home Automation And Security System Using Arm9
 - Exploring Different Genres
 - Considering Fiction vs. Non-Fiction
 - Determining Your Reading Goals
3. Choosing the Right eBook Platform
 - Popular eBook Platforms
 - Features to Look for in an Bluetooth Based Home Automation And Security System Using Arm9
 - User-Friendly Interface
4. Exploring eBook Recommendations from Bluetooth Based Home Automation And Security System Using Arm9
 - Personalized Recommendations
 - Bluetooth Based Home Automation And Security System Using Arm9 User Reviews and Ratings

Bluetooth Based Home Automation And Security System Using Arm9

- Bluetooth Based Home Automation And Security System Using Arm9 and Bestseller Lists
- 5. Accessing Bluetooth Based Home Automation And Security System Using Arm9 Free and Paid eBooks
 - Bluetooth Based Home Automation And Security System Using Arm9 Public Domain eBooks
 - Bluetooth Based Home Automation And Security System Using Arm9 eBook Subscription Services
 - Bluetooth Based Home Automation And Security System Using Arm9 Budget-Friendly Options
- 6. Navigating Bluetooth Based Home Automation And Security System Using Arm9 eBook Formats
 - ePub, PDF, MOBI, and More
 - Bluetooth Based Home Automation And Security System Using Arm9 Compatibility with Devices
 - Bluetooth Based Home Automation And Security System Using Arm9 Enhanced eBook Features
- 7. Enhancing Your Reading Experience
 - Adjustable Fonts and Text Sizes of Bluetooth Based Home Automation And Security System Using Arm9
 - Highlighting and Note-Taking Bluetooth Based Home Automation And Security System Using Arm9
 - Interactive Elements Bluetooth Based Home Automation And Security System Using Arm9
- 8. Staying Engaged with Bluetooth Based Home Automation And Security System Using Arm9
 - Joining Online Reading Communities
 - Participating in Virtual Book Clubs
 - Following Authors and Publishers Bluetooth Based Home Automation And Security System Using Arm9
- 9. Balancing eBooks and Physical Books Bluetooth Based Home Automation And Security System Using Arm9
 - Benefits of a Digital Library
 - Creating a Diverse Reading Collection Bluetooth Based Home Automation And Security System Using Arm9
- 10. Overcoming Reading Challenges
 - Dealing with Digital Eye Strain
 - Minimizing Distractions
 - Managing Screen Time
- 11. Cultivating a Reading Routine Bluetooth Based Home Automation And Security System Using Arm9
 - Setting Reading Goals Bluetooth Based Home Automation And Security System Using Arm9
 - Carving Out Dedicated Reading Time
- 12. Sourcing Reliable Information of Bluetooth Based Home Automation And Security System Using Arm9
 - Fact-Checking eBook Content of Bluetooth Based Home Automation And Security System Using Arm9
 - Distinguishing Credible Sources

13. Promoting Lifelong Learning
 - Utilizing eBooks for Skill Development
 - Exploring Educational eBooks
14. Embracing eBook Trends
 - Integration of Multimedia Elements
 - Interactive and Gamified eBooks

Bluetooth Based Home Automation And Security System Using Arm9 Introduction

Free PDF Books and Manuals for Download: Unlocking Knowledge at Your Fingertips In today's fast-paced digital age, obtaining valuable knowledge has become easier than ever. Thanks to the internet, a vast array of books and manuals are now available for free download in PDF format. Whether you are a student, professional, or simply an avid reader, this treasure trove of downloadable resources offers a wealth of information, conveniently accessible anytime, anywhere. The advent of online libraries and platforms dedicated to sharing knowledge has revolutionized the way we consume information. No longer confined to physical libraries or bookstores, readers can now access an extensive collection of digital books and manuals with just a few clicks. These resources, available in PDF, Microsoft Word, and PowerPoint formats, cater to a wide range of interests, including literature, technology, science, history, and much more. One notable platform where you can explore and download free Bluetooth Based Home Automation And Security System Using Arm9 PDF books and manuals is the internet's largest free library. Hosted online, this catalog compiles a vast assortment of documents, making it a veritable goldmine of knowledge. With its easy-to-use website interface and customizable PDF generator, this platform offers a user-friendly experience, allowing individuals to effortlessly navigate and access the information they seek. The availability of free PDF books and manuals on this platform demonstrates its commitment to democratizing education and empowering individuals with the tools needed to succeed in their chosen fields. It allows anyone, regardless of their background or financial limitations, to expand their horizons and gain insights from experts in various disciplines. One of the most significant advantages of downloading PDF books and manuals lies in their portability. Unlike physical copies, digital books can be stored and carried on a single device, such as a tablet or smartphone, saving valuable space and weight. This convenience makes it possible for readers to have their entire library at their fingertips, whether they are commuting, traveling, or simply enjoying a lazy afternoon at home. Additionally, digital files are easily searchable, enabling readers to locate specific information within seconds. With a few keystrokes, users can search for keywords, topics, or phrases, making research and finding relevant information a breeze. This efficiency saves time and effort, streamlining the learning process and allowing individuals to focus on extracting the information they need. Furthermore, the availability of free PDF books

and manuals fosters a culture of continuous learning. By removing financial barriers, more people can access educational resources and pursue lifelong learning, contributing to personal growth and professional development. This democratization of knowledge promotes intellectual curiosity and empowers individuals to become lifelong learners, promoting progress and innovation in various fields. It is worth noting that while accessing free Bluetooth Based Home Automation And Security System Using Arm9 PDF books and manuals is convenient and cost-effective, it is vital to respect copyright laws and intellectual property rights. Platforms offering free downloads often operate within legal boundaries, ensuring that the materials they provide are either in the public domain or authorized for distribution. By adhering to copyright laws, users can enjoy the benefits of free access to knowledge while supporting the authors and publishers who make these resources available. In conclusion, the availability of Bluetooth Based Home Automation And Security System Using Arm9 free PDF books and manuals for download has revolutionized the way we access and consume knowledge. With just a few clicks, individuals can explore a vast collection of resources across different disciplines, all free of charge. This accessibility empowers individuals to become lifelong learners, contributing to personal growth, professional development, and the advancement of society as a whole. So why not unlock a world of knowledge today? Start exploring the vast sea of free PDF books and manuals waiting to be discovered right at your fingertips.

FAQs About Bluetooth Based Home Automation And Security System Using Arm9 Books

1. Where can I buy Bluetooth Based Home Automation And Security System Using Arm9 books? Bookstores: Physical bookstores like Barnes & Noble, Waterstones, and independent local stores. Online Retailers: Amazon, Book Depository, and various online bookstores offer a wide range of books in physical and digital formats.
2. What are the different book formats available? Hardcover: Sturdy and durable, usually more expensive. Paperback: Cheaper, lighter, and more portable than hardcovers. E-books: Digital books available for e-readers like Kindle or software like Apple Books, Kindle, and Google Play Books.
3. How do I choose a Bluetooth Based Home Automation And Security System Using Arm9 book to read? Genres: Consider the genre you enjoy (fiction, non-fiction, mystery, sci-fi, etc.). Recommendations: Ask friends, join book clubs, or explore online reviews and recommendations. Author: If you like a particular author, you might enjoy more of their work.
4. How do I take care of Bluetooth Based Home Automation And Security System Using Arm9 books? Storage: Keep them away from direct sunlight and in a dry environment. Handling: Avoid folding pages, use bookmarks, and handle them

- with clean hands. Cleaning: Gently dust the covers and pages occasionally.
5. Can I borrow books without buying them? Public Libraries: Local libraries offer a wide range of books for borrowing. Book Swaps: Community book exchanges or online platforms where people exchange books.
 6. How can I track my reading progress or manage my book collection? Book Tracking Apps: Goodreads, LibraryThing, and Book Catalogue are popular apps for tracking your reading progress and managing book collections. Spreadsheets: You can create your own spreadsheet to track books read, ratings, and other details.
 7. What are Bluetooth Based Home Automation And Security System Using Arm9 audiobooks, and where can I find them? Audiobooks: Audio recordings of books, perfect for listening while commuting or multitasking. Platforms: Audible, LibriVox, and Google Play Books offer a wide selection of audiobooks.
 8. How do I support authors or the book industry? Buy Books: Purchase books from authors or independent bookstores. Reviews: Leave reviews on platforms like Goodreads or Amazon. Promotion: Share your favorite books on social media or recommend them to friends.
 9. Are there book clubs or reading communities I can join? Local Clubs: Check for local book clubs in libraries or community centers. Online Communities: Platforms like Goodreads have virtual book clubs and discussion groups.
 10. Can I read Bluetooth Based Home Automation And Security System Using Arm9 books for free? Public Domain Books: Many classic books are available for free as they're in the public domain. Free E-books: Some websites offer free e-books legally, like Project Gutenberg or Open Library.

Find Bluetooth Based Home Automation And Security System Using Arm9 :

[America 28-1191 minimalist lifestyle case study America 28-570](#)
[entrepreneurs 28-417 interview tips blueprint for startups 28-2793](#)
coding for beginners checklist USA 28-1033 coding for beginners
States 28-2785 career growth guide for entrepreneurs 28-1882 career
[business 28-2492 side hustles strategies for startups 28-2621 side](#)
learning basics tips for creators 28-1879 machine learning basics tools
[small business 28-2149 SEO strategy guide America 28-1968 SEO strategy](#)
by step for creators 28-1587 home organization step by step for creators
[study USA 28-1733 resume writing case study for entrepreneurs 28-2538](#)
[for startups 28-2704 affiliate marketing software USA 28-1162 affiliate](#)

[States 28-1689 electric vehicles step by step for startups 28-979](#)

for creators 28-2927 parenting tips blueprint for creators 28-2933

[checklist for startups 28-1322 AI marketing comparison United States](#)

practices for small business 28-82 stock market blueprint USA 28-170

living tips USA 28-2726 sustainable living tips for small business

Bluetooth Based Home Automation And Security System Using Arm9 :

writing and enjoying haiku a hands on guide penguin books - Apr 08 2023

web jul 1 2017 after looking at why the reading and writing of haiku is important from a spiritual point of view the book shows as has never been done before the techniques of writing the when and the where punctuation and capitalization choice of words figures of speech sharing haiku and much much more

writing and enjoying haiku a hands on guide paperback - Apr 27 2022

web haiku are clearly shown to be a means of discovering and recording the miracles of the world from the humorous to the tragic this is one of the major themes underlying writing and enjoying haiku that haiku can provide a way to a better life

writing and enjoying haiku a hands on guide paperback - Oct 02 2022

web haiku are clearly shown to be a means of discovering and recording the miracles of the world from the humorous to the tragic this is one of the major themes underlying writing and enjoying haiku that haiku can provide a way to a better life

[writing and enjoying haiku a hands on guide amazon com](#) - Oct 14 2023

web jun 21 2013 haiku are clearly shown to be a means of discovering and recording the miracles of the world from the humorous to the tragic this is one of the major themes underlying writing and enjoying haiku that haiku can provide a way to a better life

writing and enjoying haiku a hands on guide pdf scribd - May 09 2023

web writing and enjoying haiku a hands on guide free ebook download as pdf file pdf text file txt or read book online for free the best book to knowing haiku for the beginners

writing and enjoying haiku a hands on guide google books - Jul 11 2023

web haiku are clearly shown to be a means of discovering and recording the miracles of the world from the humorous to the tragic this is one of the major themes underlying writing and enjoying

writing and enjoying haiku a hands on guide semantic scholar - Sep 01 2022

web dec 13 2002 education art writing and enjoying haiku shows how haiku can bring a centered calming atmosphere into one s life by focusing on the outer realities of life instead of the nagging of the inner mind by gaining a new appreciation for

the world of nature and by preserving moments days and events so that they are not lost forever

writing and enjoying haiku a hands on guide goodreads - Sep 13 2023

web oct 1 2002 4 24 146 ratings 29 reviews writing and enjoying haiku shows how haiku can bring a centered calming atmosphere into one s life by focusing on the outer realities of life instead of the naggings of the inner mind by gaining a new appreciation for the world of nature and by preserving moments days and events so that

writing and enjoying haiku a hands on guide softcover - Nov 03 2022

web haiku are clearly shown to be a means of discovering and recording the miracles of the world from the humorous to the tragic this is one of the major themes underlying writing and enjoying haiku that haiku can provide a way to a better life

5 tips for writing a haiku power poetry - Feb 23 2022

web try not to over think while writing your haiku because for this type of poem simple words are the key to expressing complex ideas syllables it is traditional for each haiku have exactly seventeen syllables in all more specifically the first and third lines of the poem are required to have five syllables each while the second line must

haiku poem definition format history and examples - May 29 2022

web aug 19 2022 renga japanese renga was a poetic form popular in the thirteenth and fourteenth centuries renga is a longer collaborative poem consisting of lines written back and forth by two or more poets renga was governed by a codified structure and complex set of rules and composed in a formal setting over a few hours

writing and enjoying haiku penguin random house canada - Mar 27 2022

web paperback discover other books like this author exclusives and more writing and enjoying haiku shows how haiku can bring a centered calming atmosphere into one s life by focusing on the outer realities of life instead of the naggings of the inner mind by gaining a new appreciation

writing and enjoying haiku a hands on guide by reichhold - Jul 31 2022

web jun 30 2013 102 ratings see all formats and editions paperback 129 64 4 used from 129 64 title writing and enjoying haiku a hands on guide binding paperback author janereichhold publisher kodansha publisher kodansha publication date june 30 2013 see all details customers who viewed this item also viewed page 1 of 1

writing and enjoying haiku a hands on guide paperback - Jun 10 2023

web writing and enjoying haiku a hands on guide reichhold jane amazon sg books

writing and enjoying haiku a hands on guide paperback - Mar 07 2023

web jun 21 2013 paperback 42 65 5 used from 42 65 writing and enjoying haiku shows how haiku can bring a centered calming atmosphere into one s life by focusing on the outer realities of life instead of the naggings of the inner mind by gaining a new appreciation for the world of nature and by preserving moments days and events so that

how to write a haiku with examples grammarly blog - Dec 04 2022

web aug 9 2022 4 steps to writing a haiku writing a haiku is similar to writing just about any other kind of poem or other piece of text it follows the writing process 1 brainstorm the first step is to brainstorm to generate ideas what do you want to write about do you want your haiku to explore traditional topics like changing seasons and

writing and enjoying haiku a hands on guide paperback - Jun 29 2022

web apr 10 2003 she has divided the book into sections on things to do before writing haiku a comprehensive guide that includes the fragment and phrase theory the place of nature and the importance of simplicity how to enjoy haiku with others and how to apply your haiku skills in related poetry forms

writing and enjoying haiku a hands on guide paperback - Jan 05 2023

web writing and enjoying haiku shows how haiku can bring a centered calming atmosphere into one s life by focusing on the outer realities of life instead of the naggings of the inner

writing and enjoying haiku penguin random house - Feb 06 2023

web about writing and enjoying haiku writing and enjoying haiku shows how haiku can bring a centered calming atmosphere into one s life by focusing on the outer realities of life instead of the naggings of the inner mind by gaining a new appreciation for the world of nature and by preserving moments days and events so that they are not

writing and enjoying haiku a hand on guide - Aug 12 2023

web reichhold jane writing and enjoying haiku a hand on guide the haiku foundation digital library accessed november 5 2023 thehaikufoundation org omeka items show 269

noveltech character by plugin alliance character - Apr 10 2023

web sep 18 2018 soundkandy studio 3 51k subscribers subscribe 8 1k views 4 years ago london noveltech character plugin review what is it and who is it for to get a 14

noveltech character manual pdf download manualslib - May 31 2022

web add character to your mix give your recordings the boost and oomph they need with noveltech audio s character plug in beef up your drums and bass enhance your

character plugin manual en plugin alliance - Jan 07 2023

web feb 13 2022 noveltech character intelligently enhances the tonal spectrum and dynamics found in the signal no nonsense auto improvement tool plugin alliance

noveltech character noveltech character plugin buy noveltech - Jun 12 2023

web the first product based on this technology was the character plug in initially released on the tc s powercore platform character was the first pro audio product branded under

plugin alliance noveltech character review musicradar - Sep 03 2022

web the character plug in requires powercore hardware available in your system this plug in will not run without powercore
character page 5 page 8 plug in

noveltech character v1 11 vst plug ins buy in usa online - Jan 27 2022

web 99 4 04 noveltech vocal enhancer introduction and overview 9 54 noveltech vocal enhancer video review 6 28 noveltech
vocal enhancer tips and hacks

noveltech character plug in reviews sweetwater - Dec 06 2022

web may 24 2012 plugin alliance noveltech character review 99 by stuart bruce future music published 24 may 2012
musicradar verdict enhances the character of the

noveltech plugin alliance - May 11 2023

web noveltech character noveltech character intelligently enhances the tonal spectrum and dynamics found in the signal no
nonsense auto improvement tool

noveltech character plugin alliance - Aug 14 2023

web noveltech character intelligently enhances the tonal spectrum and dynamics found in the signal no nonsense auto
improvement tool plugin alliance switch to high contrast

character brainworx - Aug 02 2022

web dec 7 2018 the noveltech character mixing plugin intelligently enhances the tonal spectrum and dynamics found in
your instruments and vocals by automatically adjustin

noveltech character plugin pusher - Nov 24 2021

noveltech character plugin alliance audio only youtube - Dec 26 2021

web character plugin by plugin alliance mykvr favorite 23 want 6 149 at plugin alliance com noveltech vocal enhancer vocal
enhancer by plugin alliance 199

noveltech vocal enhancer plugin alliance - Oct 24 2021

customer reviews of character page 1 plugin alliance - Nov 05 2022

web add character to your mixes the character algorithm is based on noveltech s intelligent adaptive filtering iaf technology
the processing affects both the frequency

noveltech character plug in sweetwater - Feb 25 2022

web aug 1 2023 noveltech character price comparison discount and deals find the lowest price for this enhancer made by

brainworx

[free tutorial using noveltech character from plugin alliance](#) - Jul 01 2022

web character intelligent enhancement for your recordings get more crispness and definition at the turn of a button instantly read more vocal enhancer get the

[noveltech character by plugin alliance related products kvr](#) - Sep 22 2021

[noveltech character plugin review what is it who is it for](#) - Feb 08 2023

web give your recordings the boost and oomph they need with noveltech audio s character plug in beef up your drums and bass enhance your entire mix and add extra presence

[noveltech character plugin mixing plugin youtube](#) - Apr 29 2022

web the character algorithm is based on noveltech s intelligent adaptive filtering iaf technology the processing affects both the frequency response and dynamic properties

noveltechaudio - Mar 29 2022

web nov 12 2021 product page noveltechaudio com products character plugin alliance plugin alliance com en products noveltech character htmsigam

all plugins products plugin alliance - Mar 09 2023

web the character algorithm is based on noveltech s intelligent adaptive filtering iaf technology the processing affects both the frequency response and dynamic

character noveltechaudio - Jul 13 2023

web focusing on the perceivably favored characteristics of the original musical instrument or voice character intelligently enhances the relevant characteristics found in the

noveltech character vocal enhancer native - Oct 04 2022

web jan 16 2018 in this free video tutorial brought to you in with the support of plugin alliance pro tools expert team member julian rogers demonstrates the noveltech character

tausendundein tag roman nach einer wahren geschic - Jun 19 2023

web bald nach der landung in seiner früheren heimat sein damaliges leben heftig um die ohren fliegt juja oct 16 2021 beruhend auf einer wahren geschichte stellt die

tausendundein tag roman nach einer wahren geschichte - Sep 22 2023

web 10 99 lies mit kostenfreier app taschenbuch 11 00 3 gebraucht ab 11 00 28 neu ab 11 00 eine junge frau ein fremdes land eine unheilvolle liebe hera lind schreibt

tausendundein tag roman nach einer wahren geschic 2023 - Aug 09 2022

web within the pages of tausendundein tag roman nach einer wahren geschic an enthralling opus penned by a very acclaimed wordsmith readers embark on an

tausendundein tag roman nach einer wahren geschic - Jan 02 2022

web die junge ella erfährt mit brutaler härte was es heißt nach 1945 als tochter einer deutschen in der tschechoslowakei aufzuwachsen revolutionsgarden erschlagen ihren

tausendundein tag roman nach einer wahren geschic pdf - Dec 01 2021

tausendundein tag roman nach einer wahren geschic - Mar 04 2022

web tausendundein tag roman nach einer wahren geschichte von hera lind taschenbuch bei medimops de bestellen gebraucht günstig kaufen sparen gratis versand bei

tausendundein tag roman nach einer wahren geschic full - Jul 08 2022

web tausendundein tag roman nach einer wahren geschic europa chronik der gebildeten welt in verbindung mit mehreren gelehrten und künstlern herausgegeben von august

tausendundein tag roman nach einer wahren geschichte - Feb 03 2022

web 2 tausendundein tag roman nach einer wahren geschic 2020 10 19 eine junge frau ein fremdes land eine unheilvolle liebe hera lind schreibt romane die fesseln nach

download free tausendundein tag roman nach einer wahren - Feb 15 2023

web tausendundein tag roman nach einer wahren geschic the talmud yerushalmi and graeco roman culture mar 26 2023 this volume continues the studies on the most

tausendundein tag roman nach einer wahren geschic pdf - Apr 17 2023

web discover and share books you love on goodreads

tausendundein tag roman nach einer wahren geschic pdf - Jun 07 2022

web tausendundein tag roman nach einer wahren geschic 2023 07 31 1 4 tausendundein tag roman nach einer wahren geschic tausendundein tag roman nach einer

tausendundein tag roman nach einer wahren geschic pdf - Oct 11 2022

web tausendundein tag roman nach einer wahren geschic der griechische roman und seine vorläufer converlations lerikon grundriss der romanischen philologie

tausendundein tag roman nach einer wahren geschichte - Oct 23 2023

web tausendundein tag roman nach einer wahren geschichte lind hera isbn 9783453357815 kostenloser versand für alle

bücher mit versand und verkauf duch amazon

tausendundein tag roman nach einer wahren geschic copy - May 18 2023

web tausendundein tag roman nach einer wahren geschic downloaded from old syndeohro com by guest knox alvarez die deutsche literatur des 19

tausendundein tag roman nach einer wahren geschic - Dec 13 2022

web die deutsche literatur des 19 und 20 jahrhunderts diana verlag augen zu und dem herzen folgen katja lebt nur für mann tochter hund und haushalt und einen job wuppt

tausendundein tag roman nach einer wahren geschic copy - Apr 05 2022

web tausendundein tag roman nach einer wahren geschic downloaded from openstackstats mirantis com by guest booth anna catalog der in den jahren in

tausendundein tag roman nach einer wahren geschichte - Jul 20 2023

web eine welt zusammen nach der geburt ihrer zwillinge wird bei ihr gebärmutterhalskrebs festgestellt doch sie gibt nicht auf und stellt sich dem kampf ums Überleben als sie

tausendundein tag roman nach einer wahren geschic - Sep 10 2022

web überlebt der neue roman von hera lind erzählt nach einer wahren geschichte die hölle war der preis diana verlag tausendundein tagdiana verlag een bijzonder jaar

tausendundein tag roman nach einer wahren geschic - Nov 12 2022

web sep 20 2023 tausendundein tag roman nach einer wahren geschic 1 9 downloaded from uniport edu ng on september 20 2023 by guest tausendundein tag roman

pdf tausendundein tag roman nach einer wahren geschic - Jan 14 2023

web diese klare und zuverlssige analyse von delphine de vigans nach einer wahren geschichte aus dem jahre 2015 hilft dir dabei den bestseller schnell in seinen

loading interface goodreads - Mar 16 2023

web tausendundein tag roman nach einer wahren geschic drachenkinder feb 04 2020 als sybille während einer reise nach tunesien das elend der menschen sieht will sie

tausendundein tag roman nach einer wahren geschic read - May 06 2022

web tausendundein tag roman nach einer wahren geschic the new life die frau die zu sehr liebte himmel und hölle vergib uns unsere schuld the colonel s wife 4

tausendundein tag roman nach einer wahren - Aug 21 2023

web eine junge frau ein fremdes land eine unheilvolle liebe hera lind schreibt romane die fesseln nach einem hervorragenden

abitur könnte katharina von schenck studieren