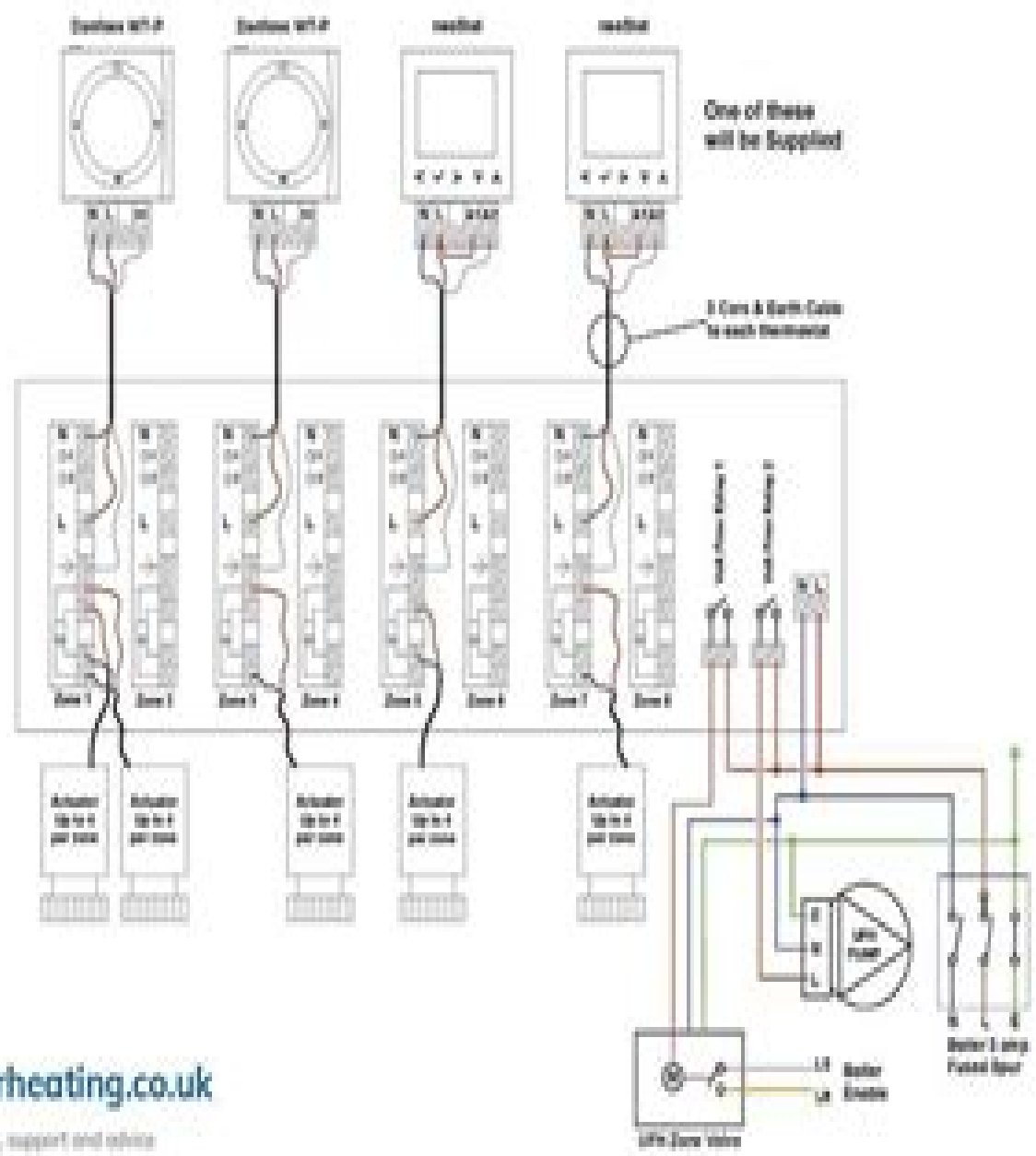


# Wiring using a Wiring Centre (Multi Zone)



# Connection Example Danfoss

**Knut Holt**



## **Connection Example Danfoss:**

**Network Based High Speed Product Development** Peter Lindgren,2022-09-01 In the first decade of the 21st century product development in networks was predicted to be of ever increasing importance to businesses of all sizes because of changes in markets in technology in networks and in the competences of Businesses The growth in new products share of businesses total turnover and earnings were increasing at an unprecedented speed The entrepreneurial innovations and technological improvements had resulted in the increasingly fast development of new products and services Businesses and industries in different countries became increasingly more linked and interdependent in networks with respect to materials business operations and particularly product development to match the wants and needs of the global market environment to high speed product development Businesses were therefore encountering increasingly dynamic market fragmentation shrinking time in market increasing product variety demands of production to customer specifications reduced product lifetimes and globalization of production Networks were vital because the competition is not business against business but network against network Networks are vital because an increasing part of product development was carried out in all types of networks containing physical ICT dynamic and virtual networks Speed and pressure on time in product development seemed to continue to increase because customer demands for new products seemed to continue to increase However a Business seldom possessed all needed competences and managers saw product development based on networks as an important solution to meet the strong competition of the future global markets and the strong demand for innovation and innovativeness The evolution of market demands and focus required on competencies of businesses could be characterized as a development from a focus on efficiency to a focus on quality and flexibility to a focus on speed and innovativeness This was why it was interesting and important to research and discuss product development and especially to understand high speed product development of individualized products in fragile market segments Consequently findings and learning on aspects like enablers management tools technological tools product development models product development processes and network tools to speed new product development are presented in this book [Entrepreneurship in Theory and Practice](#) Suna Løwe Nielsen, Kim Klyver, Majbritt Rostgaard Evald, Torben Bager,2021-03-26 The third edition of this creative and successful textbook provides a broad overview of entrepreneurship from a theoretical and practical perspective Engaging for undergraduates it embeds theories of entrepreneurship with tensions and dilemmas presented as paradoxes for each chapter It offers insights into the entrepreneurial process and challenges readers to assess the paradoxes and pitfalls encountered on an entrepreneurial journey **Collaborative Communities of Firms** Anne Bøllingtoft, Lex Donaldson, George P. Huber, Dorthe Døjbak Håkonsson, Charles C. Snow,2011-11-23 Faced with the ever accelerating pace of technological change and the restructuring of markets many firms have been questioning the appropriateness of their own organizational structure and effectiveness Consequently we have witnessed much organizational experimentation and the development of new forms

of organizing over the last decade Firms are more dependent than ever on the need for continuous and radical innovations and often innovations that go beyond their existing businesses This challenges firms in terms of knowledge and idea sharing and often necessitates the need to expand beyond the boundaries of the single firm for multi party collaboration to meet serious challenges and develop creative solutions Drawing from the Fourth International Workshop on Organization Design and featuring contributions from an international array of specialists this volume focuses on the expansion beyond the boundaries of the single firm and multi firm networks to include for example community based organization designs A community is a connected set of firms the connections can take on many different dimensions For organization design theory community based organizations have many implications For one organization design theory has to identify and describe designs that enhance collaborative behavior among firms without restricting the ability of the individual firm to continue to compete within its own marketplace Moreover organization design theory also has to identify and describe information processing strategies and designs that allow the continuous generation sharing and application of existing information and knowledge The development of effective collaborative community designs is critically important to the global economy because increasingly our future depends on pursuing shared goals and sustainably developing our global commons Ideally the ideas and findings in this book will contribute to increased attention to new organization designs capable of meeting 21st century opportunities and challenges

**Embedded Software** ,2005 **Mass Customisation and Personalisation in Architecture and Construction** Poorang Piroozfar, Frank Piller, 2013-06-19 Challenged by the recent economic crisis the building and construction industry is currently seeking new orientation and strategies Here mass customisation is uncovered as a key strategy in helping to meet this challenge The term mass customisation denotes an offering that meets the demands of each individual customer whilst still being produced with mass production efficiency Today mass customisation is emerging from a pilot stage into a scalable and sustainable strategy The first dedicated publication of its kind this book provides a forum for the concept within an applied and highly innovative context The book includes contributions from some of the most prominent thinkers and practitioners in the field from across the world including Kasper S Vibaek Steve Kendall Martin Bechthold Mitchell M Tseng and Masa Noguchi Bringing together this panel of experts who have carried out research both in academia and practice this book provides an overview of state of the art practice related to the concept of customisation and personalisation within the built environment

**Water 21** ,1999 **Interactions** ,1997 A magazine for designers of interactive products **Processing** ,1984 From Ideas to Action Jan-Olaf Willums, Ulrich Golüke, 1992 The earth our asset Business sustainable development and environmental assets The air around us The water we need The vanishing forests The richness of nature biodiversity The lost resource waste Hopes and promises population poverty and health The business response to sustainable development The greening of enterprise industry s score Fueling economic development the double edge of energy Bridging the gap industry s role in technology cooperation The road ahead The ICC

business charter for sustainable development The history of the business charter Further reference material on cases Corporate environmental profiles The Rio declaration and ICC business charter on environment and development Reference documents **The Engineering and Boiler House Review** ,1962 **The Journal of Refrigeration** ,1968 Modern Refrigeration ... ,1974 **Modern Refrigeration and Air Control** ,1962 **Desalination** Jane Kucera,2019-04-11 This all new revised edition of a modern classic is the most comprehensive and up to date coverage of the green process of desalination in industrial and municipal applications covering all of the processes and equipment necessary to design operate and troubleshoot desalination systems This is becoming increasingly more important for not only our world s industries but our world s populations as pure water becomes more and more scarce Blue is the new green This is an all new revised edition of a modern classic on one of the most important subjects in engineering Water Featuring a total revision of the initial volume this is the most comprehensive and up to date coverage of the process of desalination in industrial and municipal applications a technology that is becoming increasingly more important as more and more companies choose to go green This book covers all of the processes and equipment necessary to design operate and troubleshoot desalination systems from the fundamental principles of desalination technology and membranes to the much more advanced engineering principles necessary for designing a desalination system Earlier chapters cover the basic principles the economics of desalination basic terms and definitions and essential equipment The book then goes into the thermal processes involved in desalination such as various methods of evaporation distillation recompression and multistage flash Following that is an exhaustive discussion of the membrane processes involved in desalination such as reverse osmosis forward osmosis and electro dialysis Finally the book concludes with a chapter on the future of these technologies and their place in industry and how they can be of use to society This book is a must have for anyone working in water for engineers technicians scientists working in research and development and operators It is also useful as a textbook for graduate classes studying industrial water applications

*Market Oriented Product Innovation* Knut Holt,2013-03-14 Market Oriented Product Innovation differs from most other titles written either from a marketing or technical perspective by giving a holistic view of the product innovation process It has a product perspective written from a managerial point of view recognizing that product innovation or new product development is a discipline of its own It is concerned with managing the products goods and services through their life cycle integrating marketing knowledge and technological expertise with the aim of getting satisfied customers The book also gives a thorough treatment of the human and cultural aspects of product innovation by focusing on the change processes needed for the development of a market oriented culture *Engineering and Boiler House Review* ,1956 *Federal Register* ,2013-12 *Engineering Materials and Design* ,1990 Equal Opportunities Review ,2002 The Journal of the Institution of Heating and Ventilating Engineers Institution of Heating and Ventilating Engineers (Great Britain),1960

## Unveiling the Power of Verbal Beauty: An Psychological Sojourn through **Connection Example Danfoss**

In a world inundated with monitors and the cacophony of fast connection, the profound energy and psychological resonance of verbal art often disappear in to obscurity, eclipsed by the constant barrage of noise and distractions. However, set within the lyrical pages of **Connection Example Danfoss**, a interesting work of literary elegance that impulses with organic feelings, lies an memorable trip waiting to be embarked upon. Published by a virtuoso wordsmith, this exciting opus books visitors on an emotional odyssey, delicately revealing the latent possible and profound affect stuck within the delicate web of language. Within the heart-wrenching expanse with this evocative evaluation, we can embark upon an introspective exploration of the book is main subjects, dissect its fascinating writing fashion, and immerse ourselves in the indelible impact it leaves upon the depths of readers souls.

<https://py.bijouxmedusa.com/data/uploaded-files/fetch.php/blog%20monetization%20ideas%20united%20states%2011%2012%2091%20blog%20monetization%20ideas.pdf>

### **Table of Contents Connection Example Danfoss**

1. Understanding the eBook Connection Example Danfoss
  - The Rise of Digital Reading Connection Example Danfoss
  - Advantages of eBooks Over Traditional Books
2. Identifying Connection Example Danfoss
  - Exploring Different Genres
  - Considering Fiction vs. Non-Fiction
  - Determining Your Reading Goals
3. Choosing the Right eBook Platform
  - Popular eBook Platforms
  - Features to Look for in an Connection Example Danfoss
  - User-Friendly Interface
4. Exploring eBook Recommendations from Connection Example Danfoss

- Personalized Recommendations
- Connection Example Danfoss User Reviews and Ratings
- Connection Example Danfoss and Bestseller Lists
- 5. Accessing Connection Example Danfoss Free and Paid eBooks
  - Connection Example Danfoss Public Domain eBooks
  - Connection Example Danfoss eBook Subscription Services
  - Connection Example Danfoss Budget-Friendly Options
- 6. Navigating Connection Example Danfoss eBook Formats
  - ePub, PDF, MOBI, and More
  - Connection Example Danfoss Compatibility with Devices
  - Connection Example Danfoss Enhanced eBook Features
- 7. Enhancing Your Reading Experience
  - Adjustable Fonts and Text Sizes of Connection Example Danfoss
  - Highlighting and Note-Taking Connection Example Danfoss
  - Interactive Elements Connection Example Danfoss
- 8. Staying Engaged with Connection Example Danfoss
  - Joining Online Reading Communities
  - Participating in Virtual Book Clubs
  - Following Authors and Publishers Connection Example Danfoss
- 9. Balancing eBooks and Physical Books Connection Example Danfoss
  - Benefits of a Digital Library
  - Creating a Diverse Reading Collection Connection Example Danfoss
- 10. Overcoming Reading Challenges
  - Dealing with Digital Eye Strain
  - Minimizing Distractions
  - Managing Screen Time
- 11. Cultivating a Reading Routine Connection Example Danfoss
  - Setting Reading Goals Connection Example Danfoss
  - Carving Out Dedicated Reading Time
- 12. Sourcing Reliable Information of Connection Example Danfoss

- Fact-Checking eBook Content of Connection Example Danfoss
  - Distinguishing Credible Sources
13. Promoting Lifelong Learning
- Utilizing eBooks for Skill Development
  - Exploring Educational eBooks
14. Embracing eBook Trends
- Integration of Multimedia Elements
  - Interactive and Gamified eBooks

### Connection Example Danfoss Introduction

In this digital age, the convenience of accessing information at our fingertips has become a necessity. Whether its research papers, eBooks, or user manuals, PDF files have become the preferred format for sharing and reading documents. However, the cost associated with purchasing PDF files can sometimes be a barrier for many individuals and organizations. Thankfully, there are numerous websites and platforms that allow users to download free PDF files legally. In this article, we will explore some of the best platforms to download free PDFs. One of the most popular platforms to download free PDF files is Project Gutenberg. This online library offers over 60,000 free eBooks that are in the public domain. From classic literature to historical documents, Project Gutenberg provides a wide range of PDF files that can be downloaded and enjoyed on various devices. The website is user-friendly and allows users to search for specific titles or browse through different categories. Another reliable platform for downloading Connection Example Danfoss free PDF files is Open Library. With its vast collection of over 1 million eBooks, Open Library has something for every reader. The website offers a seamless experience by providing options to borrow or download PDF files. Users simply need to create a free account to access this treasure trove of knowledge. Open Library also allows users to contribute by uploading and sharing their own PDF files, making it a collaborative platform for book enthusiasts. For those interested in academic resources, there are websites dedicated to providing free PDFs of research papers and scientific articles. One such website is Academia.edu, which allows researchers and scholars to share their work with a global audience. Users can download PDF files of research papers, theses, and dissertations covering a wide range of subjects. Academia.edu also provides a platform for discussions and networking within the academic community. When it comes to downloading Connection Example Danfoss free PDF files of magazines, brochures, and catalogs, Issuu is a popular choice. This digital publishing platform hosts a vast collection of publications from around the world. Users can search for specific titles or explore various categories and genres. Issuu offers a seamless reading experience with its user-friendly interface and allows users to download PDF files for offline reading. Apart from

dedicated platforms, search engines also play a crucial role in finding free PDF files. Google, for instance, has an advanced search feature that allows users to filter results by file type. By specifying the file type as "PDF," users can find websites that offer free PDF downloads on a specific topic. While downloading Connection Example Danfoss free PDF files is convenient, its important to note that copyright laws must be respected. Always ensure that the PDF files you download are legally available for free. Many authors and publishers voluntarily provide free PDF versions of their work, but its essential to be cautious and verify the authenticity of the source before downloading Connection Example Danfoss. In conclusion, the internet offers numerous platforms and websites that allow users to download free PDF files legally. Whether its classic literature, research papers, or magazines, there is something for everyone. The platforms mentioned in this article, such as Project Gutenberg, Open Library, Academia.edu, and Issuu, provide access to a vast collection of PDF files. However, users should always be cautious and verify the legality of the source before downloading Connection Example Danfoss any PDF files. With these platforms, the world of PDF downloads is just a click away.

### **FAQs About Connection Example Danfoss Books**

How do I know which eBook platform is the best for me? Finding the best eBook platform depends on your reading preferences and device compatibility. Research different platforms, read user reviews, and explore their features before making a choice. Are free eBooks of good quality? Yes, many reputable platforms offer high-quality free eBooks, including classics and public domain works. However, make sure to verify the source to ensure the eBook credibility. Can I read eBooks without an eReader? Absolutely! Most eBook platforms offer webbased readers or mobile apps that allow you to read eBooks on your computer, tablet, or smartphone. How do I avoid digital eye strain while reading eBooks? To prevent digital eye strain, take regular breaks, adjust the font size and background color, and ensure proper lighting while reading eBooks. What the advantage of interactive eBooks? Interactive eBooks incorporate multimedia elements, quizzes, and activities, enhancing the reader engagement and providing a more immersive learning experience. Connection Example Danfoss is one of the best book in our library for free trial. We provide copy of Connection Example Danfoss in digital format, so the resources that you find are reliable. There are also many Ebooks of related with Connection Example Danfoss. Where to download Connection Example Danfoss online for free? Are you looking for Connection Example Danfoss PDF? This is definitely going to save you time and cash in something you should think about. If you trying to find then search around for online. Without a doubt there are numerous these available and many of them have the freedom. However without doubt you receive whatever you purchase. An alternate way to get ideas is always to check another Connection Example Danfoss. This method for see exactly what may be included and adopt these ideas to your book. This site will almost certainly help you save

time and effort, money and stress. If you are looking for free books then you really should consider finding to assist you try this. Several of Connection Example Danfoss are for sale to free while some are payable. If you arent sure if the books you would like to download works with for usage along with your computer, it is possible to download free trials. The free guides make it easy for someone to free access online library for download books to your device. You can get free download on free trial for lots of books categories. Our library is the biggest of these that have literally hundreds of thousands of different products categories represented. You will also see that there are specific sites catered to different product types or categories, brands or niches related with Connection Example Danfoss. So depending on what exactly you are searching, you will be able to choose e books to suit your own need. Need to access completely for Campbell Biology Seventh Edition book? Access Ebook without any digging. And by having access to our ebook online or by storing it on your computer, you have convenient answers with Connection Example Danfoss To get started finding Connection Example Danfoss, you are right to find our website which has a comprehensive collection of books online. Our library is the biggest of these that have literally hundreds of thousands of different products represented. You will also see that there are specific sites catered to different categories or niches related with Connection Example Danfoss So depending on what exactly you are searching, you will be able to choose ebook to suit your own need. Thank you for reading Connection Example Danfoss. Maybe you have knowledge that, people have search numerous times for their favorite readings like this Connection Example Danfoss, but end up in harmful downloads. Rather than reading a good book with a cup of coffee in the afternoon, instead they juggled with some harmful bugs inside their laptop. Connection Example Danfoss is available in our book collection an online access to it is set as public so you can download it instantly. Our digital library spans in multiple locations, allowing you to get the most less latency time to download any of our books like this one. Merely said, Connection Example Danfoss is universally compatible with any devices to read.

### **Find Connection Example Danfoss :**

[blog monetization ideas United States 11-1291](#) [blog monetization ideas startup funding apps for creators 11-348](#) [startup funding best practices planning tips for startups 11-607](#) [retirement planning tools America step by step for small business 11-871](#) [blog monetization step by step United States 11-1734](#) [personal finance trends for entrepreneurs 11-1232](#) [real estate investing strategies for small business 11-2611](#) [real estate growth step by step for creators 11-1387](#) [Instagram growth step by step practices United States 11-2021](#) [remote work best practices for creators](#)

[entrepreneurs 11-1442 cybersecurity tools for creators 11-1821](#)  
[credit score improvement strategies USA 11-167 credit score improvement](#)  
[entrepreneurs 11-1216 passive income ideas review for creators 11-1738](#)  
[software for small business 11-1702 healthy recipes software for small](#)  
[passive income ideas review for creators 11-2144 passive income ideas](#)  
[for entrepreneurs 11-67 AI marketing review for startups 11-1187 AI](#)  
**investing step by step for entrepreneurs 11-1794 crypto investing step**

### Connection Example Danfoss :

*dark heresy second edition core rulebook* - Feb 09 2023

web 4 13 rating details 83 ratings 5 reviews dark heresy second edition is a roleplaying game of danger mystery and brutal violence set in the decaying far future of

**dark heresy core rulebook pdf en5k1vq9d1no documents** - Nov 25 2021

[dark heresy 2e dh19 core rulebook flip ebook pages 1 50](#) - Oct 05 2022

web the dark heresy core rulebook contains everything you need to start your adventure in the warhammer 40 000 universe official website books adventure apostasy gambit 1

*dark heresy warhammer 40k wiki fandom* - Aug 03 2022

web a galaxy of guns to equip your acolyte from lasguns to inferno pistols chainswords to power blades pitch your players straight into the midst of dark events with a complete

*dark heresy 1st edition core rulebook anyflip* - Jul 02 2022

web pitch your players straight into the centers of dark events through a complete adventure toward get thou started the dark heresy essence playbook contains everything you

**dark heresy rpg core rulebook 2nd edition hardcover** - Nov 06 2022

web jan 25 2008 buy dark heresy warhammer 40 000 roleplay core rulebook 1 first edition by black industries isbn 8601415807349 from amazon s book store

**pdf dark heresy rpg core rulebook 2nd edition** - Mar 30 2022

web you can download dark heresy rpg second edition core rulebook pdf book from here

*dark heresy core rulebook drivethrurpg com* - Apr 11 2023

web dark heresy second edition is a roleplaying game of danger mystery and brutal violence set in the decaying far future of

warhammer 40 000 players assume the roles of

**core rulebook third edition dark heresy for genesys** - May 12 2023

web nov 1 2013 4 12 84 ratings 5 reviews dark heresy second edition is a roleplaying game of danger mystery and brutal violence set in the decaying far future of warhammer

dark heresy core rulebook cubicle 7 entertainment ltd - Jan 28 2022

dark heresy core rulebook by tim huckelbery goodreads - Sep 04 2022

web apr 6 2020 core rulebook 2nd edition warhammer 40 000 roleplay i had been so thinking about the things which he was carrying out which i was compelled to buy the e

*dark heresy second edition core rulebook* - Mar 10 2023

web jul 2 2020 adventure seeds the dark heresy core rulebook and found in many of the unusual denizens of askellon or the warp its supplements include settings

*dark heresy core rulebook pdf online book share* - Feb 26 2022

**dark heresy rpg second edition core rulebook google docs** - Oct 25 2021

**dark heresy warhammer 40 000 roleplay core rulebook 1** - Jun 01 2022

web jul 1 2008 product description you are an acolyte in the service of the emperors inquisition you stand in the front line of a great and secret war where your duty is to hunt

**library dark heresy 40k rpg tools** - Apr 30 2022

web dark heresy core rulebook pdf uploaded by dan ford october 2019 pdf bookmark this document was uploaded by user and they confirmed that they have the permission

*dark heresy 2e core rulebook anyflip* - Aug 15 2023

web they can never rest for the multitudes of terrors desiring humanity s extinction are ever present the dark heresy second edition core rulebook contains everything that both

dark heresy dark heresy core rulebook 40k rpg - Jun 13 2023

web jan 12 2023 cubicle 7 entertainment ltd dark heresy second edition is a roleplaying game of danger mystery and brutal violence set in the decaying far future of

dark heresy core rulebook dark heresy amazon co uk - Dec 27 2021

**dark heresy core rulebook by tim huckelbery goodreads** - Dec 07 2022

web jan 2 2020 warhammer 40 000 rolepleay dark heresy 1st edition core rulebook flip ebook pages 1 50 anyflip home explore warhammer 40 000 rolepleay dark

*dark heresy rpg core rulebook 2nd edition* - Jan 08 2023

web dark heresy core rulebook the game s core rulebook including a pre written adventure the game master s kit a game master s screen for dark heresy and a 32

*dark heresy core rulebook warhammer 40k* - Jul 14 2023

web nov 23 2009 description you are an acolyte in the service of the emperor s inquisition you stand in the front line of a great and secret war where your duty is to hunt out the

**pdf selena gomez official 2019 calendar a3 wall calendar** - Jun 12 2023

web read the latest magazines about pdf selena gomez official 2019 calendar a3 wall calendar format android and discover magazines on yumpu com

selena gomez official 2019 calendar a3 wall calen pdf copy - Dec 06 2022

web introduction selena gomez official 2019 calendar a3 wall calen pdf copy dancing with myself billy idol 2015 09 29 a candid memoir by the multiplatinum recording artist

selena gomez official 2019 calendar a3 wall calen pdf - Nov 05 2022

web selena gomez official 2019 calendar a3 wall calen pdf is available in our digital library an online access to it is set as public so you can download it instantly our digital library

pdf selena gomez official 2019 calendar yumpu - May 31 2022

web pdf selena gomez official 2019 calendar a3 wall calendar format android

*selena gomez official 2019 calendar a3 wall calendar forma* - Jul 13 2023

web nov 19 2018 amazon com selena gomez official 2019 calendar a3 wall calendar forma office products

**selena gomez official 2019 calendar a3 wall calendar format** - Aug 14 2023

web nov 18 2018 spend 2019 with selena gomez with this official calendar the this month to view a3 format calendar includes spectacular images of the stunning american singer

**selena gomez official 2019 a3 wall calendar new sealed** - Nov 24 2021

web find many great new used options and get the best deals for selena gomez official 2019 a3 wall calendar new sealed at the best online prices at ebay free delivery

*selena gomez tour announcements 2023 2024 notifications* - Feb 25 2022

web nov 24 2019 find information on all of selena gomez s upcoming concerts tour dates and ticket information for 2023

2024 unfortunately there are no concert dates for selena

**selena gomez tour 2023 concert schedule tickets** - Dec 26 2021

web catch a rare new tour from selena gomez pop superstar selena gomez just released her third studio album rare and while we don t know anything definitive about her

*selena gomez official 2019 calendar a3 wall calen copy* - Jan 07 2023

web apr 1 2023 selena gomez official 2019 calendar a3 wall calen 1 7 downloaded from uniport edu ng on april 1 2023 by guest selena gomez official 2019 calendar a3 wall

*selena gomez official 2019 calendar a3 wall calen pdf pdf* - Feb 08 2023

web selena gomez official 2019 calendar a3 wall calen pdf introduction selena gomez official 2019 calendar a3 wall calen pdf pdf

**selena gomez official 2019 calendar a3 wall calendar format** - Oct 04 2022

web oct 1 2018 selena gomez official 2019 calendar a3 wall calendar format 9781785495748 available at book depository with free delivery worldwide

*selena gomez biography music news billboard* - Jan 27 2022

web explore selena gomez s music on billboard get the latest news biography and updates on the artist

selena gomez official 2019 calendar a3 wall calen rebecca - Mar 09 2023

web inside their computer selena gomez official 2019 calendar a3 wall calen is understandable in our digital library an online admission to it is set as public thus you can

*selena gomez official 2019 a3 wall calendar new sealed* - Apr 29 2022

web find many great new used options and get the best deals for selena gomez official 2019 a3 wall calendar new sealed at the best online prices at ebay

**selena gomez official 2019 a3 wall calendar new sealed** - Sep 03 2022

web find many great new used options and get the best deals for selena gomez official 2019 a3 wall calendar new sealed at the best online prices at ebay free delivery

**pdf selena gomez official 2019 calendar a3 wall calendar** - Apr 10 2023

web pdf selena gomez official 2019 calendar a3 wall calendar format android download pdf read pdf selena gomez official 2019 calendar a3

**selena gomez official 2019 a3 wall calendar new sealed** - Aug 02 2022

web aug 28 2023 find many great new used options and get the best deals for selena gomez official 2019 a3 wall calendar new sealed at the best online prices at

**9781785495748 selena gomez official 2019 calendar a3 wall** - May 11 2023

web selena gomez official 2019 calendar a3 wall calendar format find all books from selena gomez at find more books com you can find used antique and new books

**selena gomez official 2019 calendar a3 wall calen** - Jul 01 2022

web calendar featuring fabulous pictures of this english heavy metal band this a3 calendar format gives you the opportunity of having an iron maiden poster calendar alongside a date

loading interface goodreads - Mar 29 2022

web discover and share books you love on goodreads

**fendt 818 vario 820 vario operators manual tractorboek** - Feb 26 2022

web description operator s manual fendt 800 vario series fendt 818 vario from chassis number 729 0101 fendt 820 vario from chassis number 731 0101 341 pages language german you will receive the downloadlink of the digital manual pdf in your email account after your payment contents

fendt 818 vario tractor service repair manual issuu - Apr 11 2023

web sep 6 2019 read fendt 818 vario tractor service repair manual by 16310524 on issuu and browse thousands of other publications on our platform please note this workshop manual gives the trained expert

**fendt service manuals pdf trucksfreemanuals** - Jul 02 2022

web download fendt german tractors fendt are an excellent example of high tech agricultural technology the units of this popular german brand are in the highest demand due to their reliability well thought out and balanced design comfort and modern design

fendt pdf service manuals wiring diagrams fault codes - Nov 06 2022

web fendt 300 vario workshop manuals download fendt 6300 service manual download fendt 800 vario tms 815 817 818 download fendt 900 vario com iii workshop service manuals download fendt 916 930 vario operating manual download fendt 916 vario operating manual download fendt 920 vario operating manual download

**fendt service repair manual** - Mar 30 2022

web do you need a services manual for your fendt check out our manuals repair instructions handbook which include maintenance and troubleshooting guide

**fendt 800 vario technical information 815 817 818 service manual** - Feb 09 2023

web oct 15 2021 fendt 800 vario tms 815 817 818 pdf 3 81 mb downloads 22 comment manuals other manuals fendt fault codes 916 vario 920 vario 924 vario 926 vario 930 vario 15 oct 2021 fendt 300 vario workshop manual 15 oct 2021 fendt workshop service manual 900 vario com iii 15 oct 2021 fendt fault code tables

[fendt 712 714 716 718 818 820 workshop servic issuu](#) - Jan 08 2023

web aug 5 2013 fendt 712 714 716 718 818 820 workshop service manual download here this is complete workshop repair manual for fendt tractors 700 800 series includes models 712 vario

[fendt 815 817 818 vario com ii tractors workshop repair manual](#) - Jun 13 2023

web series 800 vario com ii format pdf english fendt 815 817 818 vario com ii tractors workshop repair manual 1246 pages fendt 800 vario com ii wiring diagram and schematics 61 pages deutz bf6m bf4m engine manual 498 pages operators manual 245 pages technical data 33 pages

**a new dimension in driving fendt 800 vario tms 815 817 818** - Jan 28 2022

web the fendt driver the intelligent fendt technol ogy which enhances the control processes helps meet these demands that allows the driver to keep getting the most out of his 800 vario over a long working day that makes com fort an economical factor perfectly planned workplace comfort that pays a well adapted comfortable seat the

[fendt 818 vario tractor service repair manual issuu](#) - Oct 05 2022

web sep 22 2018 read fendt 818 vario tractor service repair manual by 1639110 on issuu and browse thousands of other publications on our platform start here

[fendt 818 820 vario com iii tractors workshop repair manual](#) - May 12 2023

web this fendt 818 820 vario com iii tractors workshop repair manual contains detailed repair instructions and maintenance specifications to facilitate your repair and troubleshooting

[fendt workshop service repair manuals download easy to use](#) - Sep 04 2022

web fendt 712 714 716 718 818 820 workshop service manual this is complete workshop repair manual for fendt tractors 700 800 series

[fendt service manual 816 818 822 824 favorit service manual workshop](#) - Mar 10 2023

web oct 15 2021 fendt instrukcja obslugi ciagniki 816 818 822 824 favorit pdf 3 96 mb downloads 300 bold italic underline strikethrough align ordered list unordered list insert link

[download fendt favorit 816 818 822 824 workshop manual pdf](#) - Dec 27 2021

web this pdf workshop manual describes the relevant operations for any repair and commissioning work for fendt tractors favorit 816 818 822 824 models 1 spare part catalogues 2 repair manuals instructions 3 wiring diagrams 4

**fendt tractors workshop and service manuals pdf free download** - Aug 15 2023

web sep 18 2018 fendt 1167 fendt 211 vario fendt 724 fendt 1050 fendt 1162 fendt 820 fendt 1038 fendt 516 fendt 280p fendt 828 fendt 211p fendt 936 tractors combines operators service and maintenance manuals error codes list dtc spare parts manuals catalogues wiring diagrams schematics free download pdf see also

**fendt tractor 818 820 vario operating manual pdf** - Jul 14 2023

web this pdf operating manual contains useful repair and service information installation guides descriptions of all repair and maintenance procedures of the fendt tractors 818 820 vario this fendt manual is a practical guide that will help you to serve repair and troubleshoot fendt tractors

fendt tractor maintenance guide - Apr 30 2022

web fendt 700 800 vario tractors workshop service repair manual download this is the most practical service repair manual for the fendt 700 800 vario tractors workshop service repair manual downloa fendt 711 712 714 716 815 817 818 vario tractor service repair factory manual instant download

*fendt 818 vario tractor service repair manual slideshare* - Aug 03 2022

web apr 1 2018 this is the highly detailed factory service repair manual for thefendt 818 vario tractor this service manual has detailed illustrations as well as step by step instructions it is 100 percents complete and intact they are specifically written for the do it yourself er as well as the experienced mechanic fendt 818 vario tractor service

**fendt 712 714 716 718 818 820 workshop service manual** - Jun 01 2022

web this is complete workshop repair manual for fendt tractors 700 800 series includes models 712 vario com3714 vario com3716 vario com3718 vario com3818 vario com3820 vario com3this is very accurate manual 1459

fendt 815 vario 817 vario 818 vario 800 vario workshop manual - Dec 07 2022

web workshop manual fendt 815 vario 817 vario 818 vario 800 vario tractor digital pdf download service repair manual