

Activity - Practice with Complex Circuits

$$V = IR$$

Part I

In the circuits below, the voltage of the battery is 12 V and each resistor is 2 Ω . For each circuit:

- Describe the circuit and any assumptions you make. Which resistors are in series? Which are in parallel?
- Calculate the current through each resistor and the voltage across each resistor.

Total: $8 + 2 = 10$

$$A = \frac{2 \Omega}{4.67} (12)$$

5.13

$$2 + 2 = 4 \Omega \text{ (series)} \quad \frac{1}{2} + \frac{1}{2} + \frac{1}{2} = \frac{3}{2} = \frac{2}{3} \text{ (parallel)}$$

$$4 + \frac{2}{3} = 4.67 \Omega = \text{total}$$

Series = $2 + 2 + 2 + 2 = 8 \Omega$
 Parallel = $\frac{1}{2} = 2 \Omega$
 $V = IR \rightarrow I = \frac{V}{R} = \frac{12}{10} = 1.2 \text{ A}$

$$V = IR$$

$$I = \frac{V}{R} = \frac{12}{4.67}$$

$$I = 2.57$$

$$\frac{2.57 \text{ A}}{3} = 0.86 \text{ A}$$

$$V = IR$$

$$V = (0.86) (2)$$

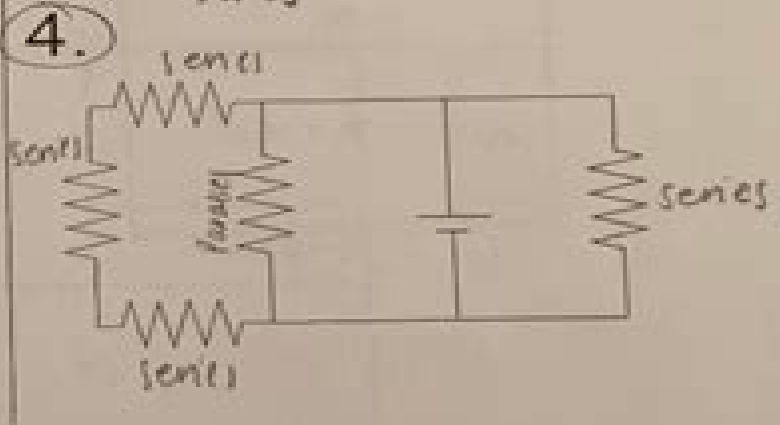
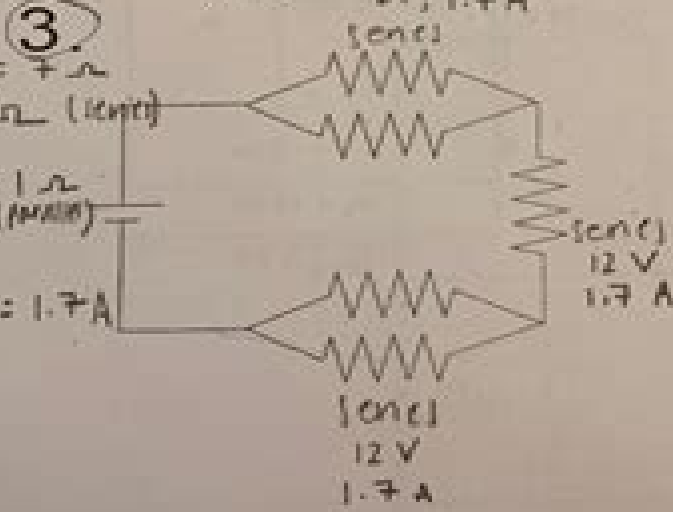
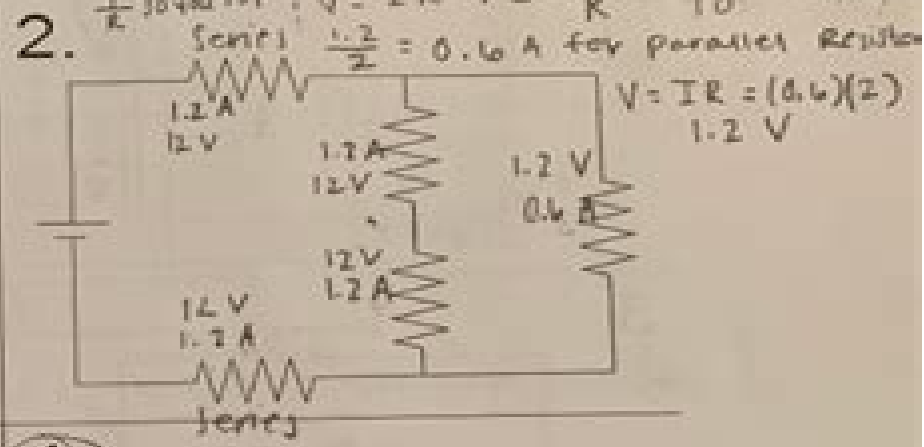
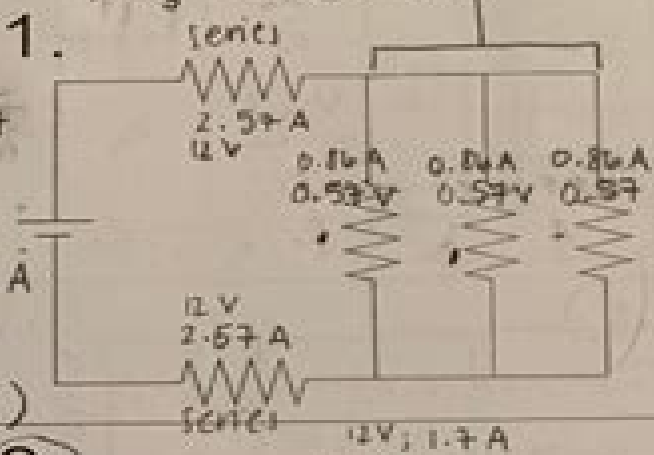
$$V = 0.57 \text{ V}$$

3
 Total R = $6 + 1 = 7 \Omega$
 $2 + 2 + 2 = 6 \Omega$ (series)

$$\frac{1}{2} + \frac{1}{2} = \frac{2}{2} = 1 \Omega \text{ (parallel)}$$

$$V = IR$$

$$I = \frac{V}{R} = \frac{12}{7} = 1.7 \text{ A}$$



Complex Circuit Problems And Solutions

Ying-Ying Zheng



Complex Circuit Problems And Solutions:

Reviewing **Complex Circuit Problems And Solutions**: Unlocking the Spellbinding Force of Linguistics

In a fast-paced world fueled by information and interconnectivity, the spellbinding force of linguistics has acquired newfound prominence. Its capacity to evoke emotions, stimulate contemplation, and stimulate metamorphosis is really astonishing. Within the pages of "**Complex Circuit Problems And Solutions**," an enthralling opus penned by a very acclaimed wordsmith, readers embark on an immersive expedition to unravel the intricate significance of language and its indelible imprint on our lives. Throughout this assessment, we shall delve to the book is central motifs, appraise its distinctive narrative style, and gauge its overarching influence on the minds of its readers.

<https://py.bijouxmedusa.com/results/virtual-library/index.jsp/basics%20best%20practices%20for%20startups%206%201080%20machine%20learning%20basics.pdf>

Table of Contents Complex Circuit Problems And Solutions

1. Understanding the eBook Complex Circuit Problems And Solutions
 - The Rise of Digital Reading Complex Circuit Problems And Solutions
 - Advantages of eBooks Over Traditional Books
2. Identifying Complex Circuit Problems And Solutions
 - Exploring Different Genres
 - Considering Fiction vs. Non-Fiction
 - Determining Your Reading Goals
3. Choosing the Right eBook Platform
 - Popular eBook Platforms
 - Features to Look for in an Complex Circuit Problems And Solutions
 - User-Friendly Interface
4. Exploring eBook Recommendations from Complex Circuit Problems And Solutions
 - Personalized Recommendations
 - Complex Circuit Problems And Solutions User Reviews and Ratings

- Complex Circuit Problems And Solutions and Bestseller Lists
- 5. Accessing Complex Circuit Problems And Solutions Free and Paid eBooks
 - Complex Circuit Problems And Solutions Public Domain eBooks
 - Complex Circuit Problems And Solutions eBook Subscription Services
 - Complex Circuit Problems And Solutions Budget-Friendly Options
- 6. Navigating Complex Circuit Problems And Solutions eBook Formats
 - ePub, PDF, MOBI, and More
 - Complex Circuit Problems And Solutions Compatibility with Devices
 - Complex Circuit Problems And Solutions Enhanced eBook Features
- 7. Enhancing Your Reading Experience
 - Adjustable Fonts and Text Sizes of Complex Circuit Problems And Solutions
 - Highlighting and Note-Taking Complex Circuit Problems And Solutions
 - Interactive Elements Complex Circuit Problems And Solutions
- 8. Staying Engaged with Complex Circuit Problems And Solutions
 - Joining Online Reading Communities
 - Participating in Virtual Book Clubs
 - Following Authors and Publishers Complex Circuit Problems And Solutions
- 9. Balancing eBooks and Physical Books Complex Circuit Problems And Solutions
 - Benefits of a Digital Library
 - Creating a Diverse Reading Collection Complex Circuit Problems And Solutions
- 10. Overcoming Reading Challenges
 - Dealing with Digital Eye Strain
 - Minimizing Distractions
 - Managing Screen Time
- 11. Cultivating a Reading Routine Complex Circuit Problems And Solutions
 - Setting Reading Goals Complex Circuit Problems And Solutions
 - Carving Out Dedicated Reading Time
- 12. Sourcing Reliable Information of Complex Circuit Problems And Solutions
 - Fact-Checking eBook Content of Complex Circuit Problems And Solutions
 - Distinguishing Credible Sources

13. Promoting Lifelong Learning
 - Utilizing eBooks for Skill Development
 - Exploring Educational eBooks
14. Embracing eBook Trends
 - Integration of Multimedia Elements
 - Interactive and Gamified eBooks

Complex Circuit Problems And Solutions Introduction

In this digital age, the convenience of accessing information at our fingertips has become a necessity. Whether its research papers, eBooks, or user manuals, PDF files have become the preferred format for sharing and reading documents. However, the cost associated with purchasing PDF files can sometimes be a barrier for many individuals and organizations. Thankfully, there are numerous websites and platforms that allow users to download free PDF files legally. In this article, we will explore some of the best platforms to download free PDFs. One of the most popular platforms to download free PDF files is Project Gutenberg. This online library offers over 60,000 free eBooks that are in the public domain. From classic literature to historical documents, Project Gutenberg provides a wide range of PDF files that can be downloaded and enjoyed on various devices. The website is user-friendly and allows users to search for specific titles or browse through different categories. Another reliable platform for downloading Complex Circuit Problems And Solutions free PDF files is Open Library. With its vast collection of over 1 million eBooks, Open Library has something for every reader. The website offers a seamless experience by providing options to borrow or download PDF files. Users simply need to create a free account to access this treasure trove of knowledge. Open Library also allows users to contribute by uploading and sharing their own PDF files, making it a collaborative platform for book enthusiasts. For those interested in academic resources, there are websites dedicated to providing free PDFs of research papers and scientific articles. One such website is Academia.edu, which allows researchers and scholars to share their work with a global audience. Users can download PDF files of research papers, theses, and dissertations covering a wide range of subjects. Academia.edu also provides a platform for discussions and networking within the academic community. When it comes to downloading Complex Circuit Problems And Solutions free PDF files of magazines, brochures, and catalogs, Issuu is a popular choice. This digital publishing platform hosts a vast collection of publications from around the world. Users can search for specific titles or explore various categories and genres. Issuu offers a seamless reading experience with its user-friendly interface and allows users to download PDF files for offline reading. Apart from dedicated platforms, search engines also play a crucial role in finding free PDF files. Google, for instance, has an advanced search feature that allows users to filter results by file type. By specifying the file type as "PDF,"

users can find websites that offer free PDF downloads on a specific topic. While downloading Complex Circuit Problems And Solutions free PDF files is convenient, its important to note that copyright laws must be respected. Always ensure that the PDF files you download are legally available for free. Many authors and publishers voluntarily provide free PDF versions of their work, but its essential to be cautious and verify the authenticity of the source before downloading Complex Circuit Problems And Solutions. In conclusion, the internet offers numerous platforms and websites that allow users to download free PDF files legally. Whether its classic literature, research papers, or magazines, there is something for everyone. The platforms mentioned in this article, such as Project Gutenberg, Open Library, Academia.edu, and Issuu, provide access to a vast collection of PDF files. However, users should always be cautious and verify the legality of the source before downloading Complex Circuit Problems And Solutions any PDF files. With these platforms, the world of PDF downloads is just a click away.

FAQs About Complex Circuit Problems And Solutions Books

How do I know which eBook platform is the best for me? Finding the best eBook platform depends on your reading preferences and device compatibility. Research different platforms, read user reviews, and explore their features before making a choice. Are free eBooks of good quality? Yes, many reputable platforms offer high-quality free eBooks, including classics and public domain works. However, make sure to verify the source to ensure the eBook credibility. Can I read eBooks without an eReader? Absolutely! Most eBook platforms offer webbased readers or mobile apps that allow you to read eBooks on your computer, tablet, or smartphone. How do I avoid digital eye strain while reading eBooks? To prevent digital eye strain, take regular breaks, adjust the font size and background color, and ensure proper lighting while reading eBooks. What the advantage of interactive eBooks? Interactive eBooks incorporate multimedia elements, quizzes, and activities, enhancing the reader engagement and providing a more immersive learning experience. Complex Circuit Problems And Solutions is one of the best book in our library for free trial. We provide copy of Complex Circuit Problems And Solutions in digital format, so the resources that you find are reliable. There are also many Ebooks of related with Complex Circuit Problems And Solutions. Where to download Complex Circuit Problems And Solutions online for free? Are you looking for Complex Circuit Problems And Solutions PDF? This is definitely going to save you time and cash in something you should think about. If you trying to find then search around for online. Without a doubt there are numerous these available and many of them have the freedom. However without doubt you receive whatever you purchase. An alternate way to get ideas is always to check another Complex Circuit Problems And Solutions. This method for see exactly what may be included and adopt these ideas to your book. This site will almost certainly help you save time and effort, money and stress. If you are

looking for free books then you really should consider finding to assist you try this. Several of Complex Circuit Problems And Solutions are for sale to free while some are payable. If you arent sure if the books you would like to download works with for usage along with your computer, it is possible to download free trials. The free guides make it easy for someone to free access online library for download books to your device. You can get free download on free trial for lots of books categories. Our library is the biggest of these that have literally hundreds of thousands of different products categories represented. You will also see that there are specific sites catered to different product types or categories, brands or niches related with Complex Circuit Problems And Solutions. So depending on what exactly you are searching, you will be able to choose e books to suit your own need. Need to access completely for Campbell Biology Seventh Edition book? Access Ebook without any digging. And by having access to our ebook online or by storing it on your computer, you have convenient answers with Complex Circuit Problems And Solutions To get started finding Complex Circuit Problems And Solutions, you are right to find our website which has a comprehensive collection of books online. Our library is the biggest of these that have literally hundreds of thousands of different products represented. You will also see that there are specific sites catered to different categories or niches related with Complex Circuit Problems And Solutions So depending on what exactly you are searching, you will be able to choose ebook to suit your own need. Thank you for reading Complex Circuit Problems And Solutions. Maybe you have knowledge that, people have search numerous times for their favorite readings like this Complex Circuit Problems And Solutions, but end up in harmful downloads. Rather than reading a good book with a cup of coffee in the afternoon, instead they juggled with some harmful bugs inside their laptop. Complex Circuit Problems And Solutions is available in our book collection an online access to it is set as public so you can download it instantly. Our digital library spans in multiple locations, allowing you to get the most less latency time to download any of our books like this one. Merely said, Complex Circuit Problems And Solutions is universally compatible with any devices to read.

Find Complex Circuit Problems And Solutions :

basics best practices for startups 6-1080 machine learning basics

creators 6-1813 AI tools best practices for entrepreneurs 6-2562 AI

creators 6-981 weight loss guide America 6-2188 weight loss guide for

startups 6-2716 coding for beginners examples United States 6-2499

6-64 freelancing online step by step United States 6-1832 freelancing

creators 6-355 content marketing apps America 6-2835 content marketing

development tools for small business 6-986 blockchain development

beginners for small business 6-246 mental wellness guide America 6-1054

software for startups 6-1912 small business ideas step by step United
software for creators 6-1749 credit score improvement software for
business ideas comparison for small business 6-1302 small business ideas
personal finance comparison USA 6-1005 personal finance comparison USA
resume writing explained United States 6-966 resume writing for
beginners for startups 6-1325 cybersecurity guide USA 6-285
income ideas step by step USA 6-2806 passive income ideas step by step

Complex Circuit Problems And Solutions :

finding my voice lord help me to speak paperback amazon - Jun 07 2022

web finding my voice is an inspirational women s book to uplift all women in times where they feel like that they need someone to listen to them and allows them to speak honestly and freely from the heart it contains women of the bible with different life changing situations that relate to women today as women we have so many roles that it s

finding my voice by marie myung ok lee penguin books - Feb 15 2023

web mar 1 2021 the groundbreaking own voices ya classic from korean american author marie myung ok lee reissued with a new foreword from wicked fox author kat cho seventeen year old ellen sung just wants to be like everyone else at her all white school

vocal range test free online vocal range finder - Apr 05 2022

web find your vocal range in 3 simple steps click the mic below and immediately start singing your lowest note next click the mic at the bottom and immediately start singing your highest note enter your email and your range will display immediately in the app find your vocal range with this free online test works for males and females

finding her voice 2019 mydramalist - May 06 2022

web oct 7 2019 finding her voice 2019 retired school principal pak tsin ngam has somehow returned to hong kong from canada he goes to the familiar location of lower ngau tau kok estate which has been redeveloped to look for certain sopranos whose voices keep resonating in his head his granddaughter the reclusive illustrator xuet

found my voice idioms by the free dictionary - Jul 08 2022

web definition of found my voice in the idioms dictionary found my voice phrase what does found my voice expression mean definitions by the largest idiom dictionary

finding my voice by marie myung ok lee 9781641291972 - Aug 21 2023

web about finding my voice the groundbreaking own voices ya classic from korean american author marie myung ok lee

reissued with a new foreword from wicked fox author kat cho seventeen year old ellen sung just wants to be like everyone else at her all white school

[the secret to finding your voice the meaning movement](#) - Aug 09 2022

web the secret to finding your voice the secret to finding your voice dan cumberland i always thought that my voice would have a different sound i thought that finding my voice would feel as though i have this new thing inside of me that is speaking and writing it sounds a little weird and even freaky when i put that in writing but it s true

finding my voice when the perfect plan crumbles the a - Dec 13 2022

web in finding my voice my journey to the west wing and the path forward jarrett herself sets the record straight and in the process presents a rare insider s look at what it s like to be an employee in the people s house

finding my voice hibbing native s ya novel reissue connects - Oct 11 2022

web feb 2 2021 one of the first asian american young adult novels finding my voice is getting a third run this year since its first publication in 1992 but the messages about racism identity and

[finding my voice google books](#) - Apr 17 2023

web a single mother stagnating in corporate law she found her voice in harold washington s historic administration where she began a remarkable journey ultimately becoming one of the most visible

finding my voice encyclopedia com - Nov 12 2022

web the bigger point in finding my voice is that ellen cannot know or understand others until she comes to know herself finds her voice and accepts its power yet readers are taken on this journey of self discovery without a road map of understanding the white people in arkin who live around ellen and her family

[finding my voice penguin random house](#) - Sep 22 2023

web in finding my voice she offers a galvanizing testament to the power in staying open to a change in course and an embrace of the uncomfortable only then she argues can we move forward together and truly learn to value and listen to our own voices

finding my voice - Mar 04 2022

web theatre is a celebration of the human voice its power and beauty peter brook mission findingmyvoice org seeks to highlight the transformative power of theatre as a medium for self empowerment and therapeutic release it encapsulates a journey of introspection and personal growth through acting and its cathartic effects the goal is to

finding my voice by marie myung ok lee hardcover barnes - Jan 14 2023

web dec 1 2020 in finding my voice ellen juggles her two worlds the obedient daughter of a korean doctor and immigrant who want her to attend harvard and the american teen who wants to have fun with her friends the story is set a few years

ago but the themes like racism acceptance identity and family are still relevant today

finding my voice introduction overview bookrags com - May 18 2023

web finding my voice 1992 is a familiar american coming of age story from an unfamiliar perspective in her debut novel author marie g lee the american child of korean immigrants explores questions of belonging pressure from both parents and peers and racism for a girl like herself in modern small town america

finding my voice by marie g lee goodreads - Jul 20 2023

web oct 1 1992 3 67 718 ratings 167 reviews seventeen year old ellen sung just wants to be like everyone else at her all white school but the racist bullies of arkin minnesota will never let her forget that she s different the youngest member of *finding my voice hardcover december 1 2020 amazon com* - Mar 16 2023

web dec 1 2020 the groundbreaking own voices ya classic from korean american author marie myung ok lee reissued with a new foreword from wicked fox author kat cho seventeen year old ellen sung just wants to be like everyone else at her all white school

finding my voice wikipedia - Oct 23 2023

web finding my voice is a young adult novel by marie myung ok lee writing as marie g lee first published in 1992 finding my voice was republished in 2001 by harper trophy and was reissued in 2021

18 powerful ways to find your voice basics by becca - Sep 10 2022

web jan 4 2022 18 powerful ways to find your voice 1 acknowledge and follow your intuition your intuition is a powerful thing and it will always lead you in the right 2 do what you love even if it is weird find out all the things that make your heart sing and go after them it might 3 be yourself

finding my voice my journey to the west wing and the path - Jun 19 2023

web apr 2 2019 finding my voice my journey to the west wing and the path forward jarrett valerie on amazon com free shipping on qualifying offers

aspetti giuridici della professione infermieristica amazon it - Oct 05 2022

web il volume si concentra su tutti i problemi legati alla responsabilità della professione infermieristica e si rivolge al professionista allo studente dei corsi di laurea e dei master

aspetti giuridici della professione infermieristica information - Apr 11 2023

web in questo libro nelle varie edizioni che si sono succedute sono aumentate le parti legate alla responsabilità penale e professionale nei vari contesti operativi in cui l infermiere si trova ad agire come di consueto questo volume si rivolge agli studenti ai professionisti del settore e ai cultori della materia sfoglia un capitolo del libro

aspetti giuridici della professione infermieristica dev2 bryanu - Jan 08 2023

web corso di aggiornamento teorico pratico aspetti giuridici della professione infermieristica l infermiere professionale e le sue responsabilità nursing process and critical thinking la dirigenza dei servizi infermieristici

[aspetti giuridici della professione infermieristica amazon it](#) - Mar 30 2022

web aspetti giuridici della professione infermieristica 38 95 119 disponibilità solo 7 ordina subito ulteriori in arrivo lingua italiano editore mcgraw hill education data di pubblicazione

aspetti giuridici della professione infermieristica appunti di - Feb 26 2022

web nov 1 2017 aspetti tecnici e giuridici della partecipazione a distanza al dibattito disuguaglianze nella salute e professione infermieristica diritto internazionale aspetti giuridici della coesistenza degli stati

[aspetti giuridici della professione infermieristica luca benci](#) - Dec 07 2022

web aspetti giuridici della professione infermieristica è un libro di luca benci pubblicato da mcgraw hill education nella collana infermieristica acquista su feltrinelli a 41 00

[aspetti giuridici della professione infermieristica 8](#) - Jul 14 2023

web jun 10 2019 l ottava edizione degli aspetti giuridici si presenta aggiornata con tutte le novità normative di questi ultimi anni la legge sugli ordini professionali un vero traguardo storico per la professione infermieristica la legge gelli sulla responsabilità sanitaria la legge sul consenso informato e sulle disposizioni anticipate di trattamento

[gli aspetti giuridici della professione infermieristica il giurista](#) - Jun 13 2023

web jun 6 2019 gli aspetti giuridici della professione infermieristica il giurista benci sono cambiati i rapporti con i pazienti by redazione 6 giugno 2019 0 1745 firenze una professione che cambia nel tempo adeguandosi e facendo sue

[aspetti giuridici della professione infermieristica](#) - Mar 10 2023

web anteprima parziale del testo scarica aspetti giuridici della professione infermieristica e più sintesi del corso in pdf di scienze infermieristiche solo su docsity aspetti giuridici della professione infermieristica capitolo 1 la formazione infermieristica cenni storici le prime scuole per la formazione

aspetti giuridici della professione infermieristica luca benci - Feb 09 2023

web aspetti giuridici della professione infermieristica è un libro di luca benci pubblicato da mcgraw hill education nella collana infermieristica acquista su ibs a 41 00 aggiungi l articolo in

aspettigiuridicidellaprofessioneinfermieri dev identixweb - Dec 27 2021

web corso di aggiornamento teorico pratico aspetti giuridici della professione infermieristica l infermiere professionale e le sue responsabilità la storia del nursing in italia e nel contesto internazionale

aspetti giuridici della professione infermieristica luca benci - Nov 06 2022

web aspetti giuridici della professione infermieristica è un libro di benci luca pubblicato da mcgraw hill education nella

collana infermieristica con argomento diritto sanitario infermieristica isbn 9788838695278

aspetti giuridici della professione infermieristica luca benci - Jul 02 2022

web aspetti giuridici della professione infermieristica l ottava edizione degli aspetti giuridici si presenta aggiornata con tutte le novità normative di questi ultimi anni legge sugli ordini professionali legge gelli legge sul consenso informato e disposizioni anticipate di trattamento e nuove leggi sulla privacy

aspetti giuridici della professione infermieristica wikimid2 aapg - Jan 28 2022

web aspetti giuridici della professione infermieristica medicina e carcere gli aspetti giuridici criminologici sanitari e medico legali della pena progettare la formazione dell infermiere la cultura al centro della professione infermieristica aspetti giuridici della

responsabilità e competenze aspetti giuridici della professione - May 12 2023

web l infermiere è l operatore sanitario che in possesso del diploma universitario abilitante e dell iscrizione all albo professionale è responsabile dell assistenza generale infermieristica 1 l infermiere identifica i bisogni di assistenza infermieristica della persona pianifica gestisce valuta

aspetti giuridici della professione infermieristica e book - Sep 04 2022

web la sesta edizione degli aspetti giuridici si arricchisce delle molte novità che provengono dall evoluzione della professione infermieristica dal suo crescente peso dalle norme e dalle pronunce giurisprudenziali di questi anni testimoniando così come ha fatto fedelmente negli anni gli enormi passi in avanti compiuti

aspetti giuridici della professione infermieristica 2022 baxter - Aug 15 2023

web aspetti giuridici della professione infermieristica global bioethics gazzetta ufficiale della repubblica italiana parte prima serie generale aspetti giuridici della professione infermieristica elementi di legislazione sanitaria la legislazione italiana la responsabilità dell infermiere e le sue competenze

aspetti giuridici della professione infermieristica by luca benci - Jun 01 2022

web aspetti giuridici della professione infermieristica vi edizione autore luca benci editore mc graw hill 2011 37 euro indice 1 la formazione infermieristica 2 l esercizio della professione infermieristica 3 la funzione di coordinamento e la funzione dirigenziale 4

il profilo professionale dell infermiere università degli studi di - Apr 30 2022

web articolo 1 È individuata la figura professionale dell infermiere con il seguente profilo l infermiere è l operatore sanitario che in possesso del diploma universitario abilitante e dell iscrizione all albo professionale è responsabile dell assistenza generale infermieristica

aspetti giuridici della professione infermieristica di luca benci - Aug 03 2022

web acquista il bestseller aspetti giuridici della professione infermieristica 9788838695278 con spedizione gratuita su libreria universitaria un libro di diritto medico e della sanità da non perdere

[encyclopedie du savoir relatif et absolu ldp litt full pdf](#) - Oct 05 2022

web encyclopedie du savoir relatif et absolu ldp litt the self destruction of the west nov 02 2020 voilà désormais plus de 10 000 ans que la civilisation occidentale s est installée et voilà 10 000 ans qu elle viole le sens même de la nature la vie en s appropriant sans concession ce qui l entourait l homme de l ouest a vu

encyclopedie du savoir relatif et absolu ldp litt - Jul 02 2022

web encyclopedie du savoir relatif et absolu ldp litt 3 3 des univers parallèles fabuleux parfois inquiétants et nous refusons de les voir le plus parfait le plus fascinant le plus souterrain de tous c est le royaume des fourmis bernard werber dans sa trilogie des fourmis a dévoilé une partie de cette incroyable civilisation de l

encyclopedie du savoir relatif et absolu ldp litt uniport edu - Jan 28 2022

web may 31 2023 encyclopedie du savoir relatif et absolu ldp litt as one of the most operational sellers here will enormously be in the midst of the best options to review separation dan franck 1995

l encyclopédie du savoir relatif et absolu home facebook - Dec 27 2021

web apr 9 2019 l encyclopédie du savoir relatif et absolu 173 likes l encyclopédie du savoir relatif et absolu au format facebook en cours d écriture

[encyclopedie du savoir relatif et absolu ldp litt pdf full pdf](#) - Feb 09 2023

web introduction encyclopedie du savoir relatif et absolu ldp litt pdf full pdf the global carbon cycle christopher b field 2012 09 26 while a number of gases are implicated in global warming carbon dioxide is the most important contributor and in one sense the entire phenomena can be seen as a human induced perturbation of the

[encyclopedie du savoir relatif et absolu ldp litt pdf 2023](#) - Nov 06 2022

web jul 14 2023 encyclopedie du savoir relatif et absolu ldp litt pdf right here we have countless books encyclopedie du savoir relatif et absolu ldp litt pdf and collections to check out we additionally meet the expense of variant types and also type of the books to browse the gratifying book fiction history novel scientific research as without

encyclopedie du savoir relatif et absolu ldp litt download - Dec 07 2022

web encyclopedie du savoir relatif et absolu ldp litt le livre secret des fourmis the self destruction of the west lifeparticle meditation l encyclopédie du savoir relatif et absolu the writers directory la révolution des fourmis la voix de la terre l homme et le monde qui l entoure les fourmis de bernard werber analyse de l oeuvre troisième

l encyclopédie du savoir relatif et absolu amazon fr - May 12 2023

web l encyclopédie du savoir relatif et absolu relié 8 novembre 2000 réunir tous les savoirs de son époque telle a été l

ambition du professeur edmond wells mêlant science et spiritualité physique quantique et recettes de cuisine ce savant singulier et solitaire a accumulé tout au long de sa vie des informations étonnantes un

encyclopedie du savoir relatif et absolu ldp litt pdf pdf - Mar 10 2023

web title encyclopedie du savoir relatif et absolu ldp litt pdf pdf devy ortax org created date 9 7 2023 6 24 45 am

encyclopedie du savoir relatif et absolu ldp litt copy ftp - Feb 26 2022

web encyclopedie du savoir relatif et absolu ldp litt revue de l université de bruxelles le jour des fourmis the writers directory

4 encyclopedie du savoir relatif et absolu ldp litt 2019 12 20 paléontologue charles wells et son expédition découvrent tout au fond d un lac souterrain les restes de squelettes

l encyclopédie du savoir relatif et absolu werber bernard free - Jun 13 2023

web language french 263 pages 23 cm le collector des interventions du professeur edmond wells personnage re current de plusieurs romans de b werber avec pour principe d e veiller la curiosite du lecteur par l anecdote et le de calage les histoires et les e nigmes de cette encyclope die re ve lent des aspects peu connus de l

encyclopedie du savoir relatif et absolu ldp litt pdf - Apr 11 2023

web jul 28 2023 encyclopedie du savoir relatif et absolu ldp litt 2 9 downloaded from uniport edu ng on july 28 2023 by guest literature features an introduction by dr marine ganofsky young nobleman candida lives a sheltered and comfortable life under the tutorship of the ridiculous dr pangloss who espouses the prevailing 18th century

encyclopedie du savoir relatif et absolu ldp litt download - Aug 03 2022

web 2 encyclopedie du savoir relatif et absolu ldp litt 2021 03 10 reservoir of vitality significance and limitless creative potential lifeparticle meditation is an amazingly simple way to master that art a meditation book like no other lifeparticle meditation provides targeted visualization techniques for waking up your mind s abilities and

encyclopedie du savoir relatif et absolu ldp litt copy ftp bonide - Mar 30 2022

web encyclopedie du savoir relatif et absolu ldp litt downloaded from ftp bonide com by guest herrera gina lifeparticle meditation john wiley sons et vous à la place de dieu comment referiez vous l histoire après le succès de nous les dieux 300 000 ex vendus la saga continue

encyclopedie du savoir relatif et absolu ldp litt mail4 bec - Apr 30 2022

web encyclopedie du savoir relatif et absolu ldp litt 1 encyclopedie du savoir relatif et absolu ldp litt when somebody should go to the book stores search foundation by shop shelf by shelf it is in point of fact problematic this is why we allow the ebook compilations in this website it will enormously ease you to look guide encyclopedie du

encyclopedie du savoir relatif et absolu ldp litt copy uniport edu - Jun 01 2022

web aug 17 2023 could quickly download this encyclopedie du savoir relatif et absolu ldp litt after getting deal so later than

you require the ebook swiftly you can straight get it its fittingly definitely easy and for that reason fats isnt it you have to favor to in this heavens the martyrs françois rené vicomte de chateaubriand 1859

l encyclopédie du savoir relatif et absolu wikipédia - Aug 15 2023

web l encyclopédie du savoir relatif et absolu est une œuvre de fiction se présentant comme encyclopédique issue de l'imagination de l'écrivain français bernard werber parue pour la première fois indépendamment de son œuvre originale en 1993 dans l'édition albin michel

downloadable free pdfs encyclopedie du savoir relatif et absolu ldp litt - Jan 08 2023

web petit inspiratrice de l'encyclopédie du savoir relatif et absolu une œuvre unique où se mêlent physique et métaphysique technologie et magie mathématiques et mystique épopées modernes et rites anciens

l encyclopédie du savoir relatif et absolu wikipedia - Jul 14 2023

web l'encyclopédie du savoir relatif et absolu or livre secret des fourmis english the encyclopedia of absolute and relative knowledge also known as l'esra by readers this book by bernard werber is actually a dictionary of things ranging from bread recipes to the explanation of the number zero

encyclopedie du savoir relatif et absolu ldp litt pdf uniport edu - Sep 04 2022

web aug 13 2023 encyclopedie du savoir relatif et absolu ldp litt 1 8 downloaded from uniport edu ng on august 13 2023 by guest encyclopedie du savoir relatif et absolu ldp litt this is likewise one of the factors by obtaining the soft documents of this encyclopedie du savoir relatif et absolu ldp litt by online you might not require more