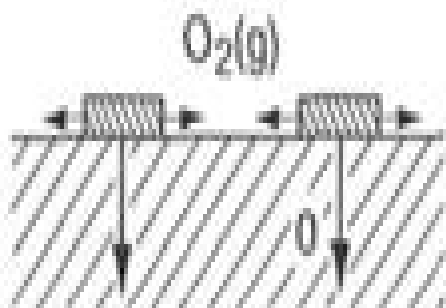


Adsorption

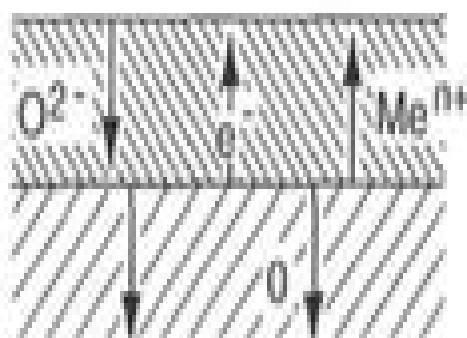
(a)



Oxide nucleation + growth

Oxygen dissolution

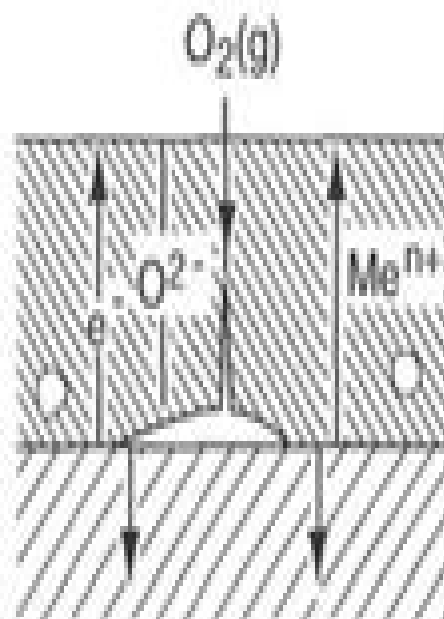
(b)



Film/scale growth

Internal oxidation

(c)

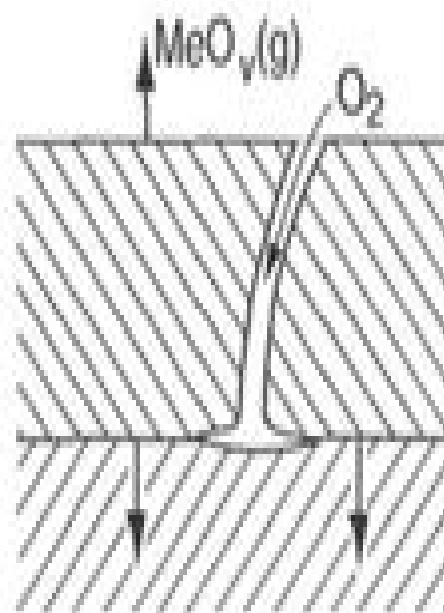


Cavities

Porosity

Microcracks

(d)



Macrocracks

Possible molten oxide phases, oxide evaporation

(e)

Oxide Scale Behaviour In High Temperature Metal Processing

L Towne



Oxide Scale Behaviour In High Temperature Metal Processing:

Oxide Scale Behavior in High Temperature Metal Processing Michal Krzyzanowski, John H. Beynon, Didier C. J. Farrugia, 2010-03-30 The result of a fruitful on going collaboration between academia and industry this book reviews recent advances in research on oxide scale behavior in high temperature forming processes Presenting novel previously neglected approaches the authors emphasize the pivotal role of reproducible experiments to elucidate the oxide scale properties and develop quantitative models with predictive accuracy Each chapter consists of a detailed systematic examination of different aspects of oxide scale formation with immediate impact for researchers and developers in industry The clear and stringent style of presentation makes this monograph both coherent and easily readable

Oxide Scale Behavior in High Temperature Metal Processing Michal Krzyzanowski, John H. Beynon, Didier C. J. Farrugia, 2010-06-01 The result of a fruitful on going collaboration between academia and industry this book reviews recent advances in research on oxide scale behavior in high temperature forming processes Presenting novel previously neglected approaches the authors emphasize the pivotal role of reproducible experiments to elucidate the oxide scale properties and develop quantitative models with predictive accuracy Each chapter consists of a detailed systematic examination of different aspects of oxide scale formation with immediate impact for researchers and developers in industry The clear and stringent style of presentation makes this monograph both coherent and easily readable

Grain Boundary in Oxide Scale During High-Temperature Metal Processing Xianglong Yu, 2017 Grain boundary in oxide scale has profound influences on the deformation behaviour and tribological properties of metal alloys at high temperature This chapter introduces some recent progress to quantify microstructure and interface quality providing examples of possible property variations Some fundamental issues of oxidation mechanism have been given consisting of crystal structures of iron oxides and oxidation of steel alloys Two main things are addressed One is what the characters of grain boundaries are developed in the oxide scale which is associated with grain shape and size microtexture and special grain boundaries such as coincident site lattice CSL boundaries Another is the role of grain boundaries played during metal processing including initial oxidation via grain boundary diffusion stress and deformation processing and tribological properties of oxide scale at metal processing Finally a more extensive effort was also made to summarise the experimental techniques used to investigate oxide scale

Passivation and Corrosion of Black Rebar with Mill Scale Xinying Lu, 2023-02-10 The passivation and corrosion of metal are significantly affected by its surface state and chemical characteristics In practical engineering the reinforcement is with mill scale or rust stains Its passivation and corrosion are obviously different from the descaled one This book briefly discusses the pseudo passivation behavior and corrosion mechanisms of hot rolled rebars with mill scale and provides the corresponding protection measures which can be used as a reference for corrosion or civil engineers

Nanotechnology Cherry Bhargava, Amit Sachdeva, 2020-10-18 Nanotechnology Advances and Real Life Applications offers a comprehensive reference text about advanced concepts and

applications in the field of nanotechnology The text written by researchers practicing in the field presents a detailed discussion of key concepts including nanomaterials and their synthesis fabrication and characterization of nanomaterials carbon based nanomaterials nano bio interface and nanoelectronics The applications of nanotechnology in the fields of renewable energy medicine and agriculture are each covered in a dedicated chapter The text will be invaluable for senior undergraduate and graduate students in the fields of electrical engineering electronics engineering nanotechnology and nanoscience Dr Cherry Bhargava is an Associate Professor and Head VLSI domain at the School of Electrical and Electronics Engineering of Lovely Professional University Jalandhar India Dr Amit Sachdeva is an Associate Professor at Lovely Professional University Jalandhar India

Metal Forming 2014 F. Micari,L. Fratini,2014-09-26 Selected peer reviewed papers from the 15th International Conference on Metal Forming 2014 September 21 24 2014 Palermo Italy

Study of Grain Boundary Character Tomasz Tański,Wojciech Borek,2017-01-11 This book contains eight chapters with original and innovative research studies in the field of grain boundaries The results presented in the chapters of this book are very interesting and inspiring This book will be very valuable to all researchers who are interested in the influence of grain boundaries on the structure and different kinds of properties of engineering materials This book is also addressed to students and professional engineers working in the industry as well as to specialists who pay attention to all aspects related to grain boundaries and their impact on the various properties of innovative materials The chapters of this book were developed by respected and well known researchers from different countries

Performance of High Temperature Materials in Fluidized Bed Combustion Systems and Process Industries P. Ganesan,R. A. Bradley,1987 10th ESAFORM Conference on Material Forming Elías Cueto,Francisco Chinesta,2007-05-10 This book contains papers presented at the 10th Annual ESAFORM Conference which covers the multitude of disciplines related to material forming This year s conference features for the first time an ECCOMAS Thematic conference devoted to new advanced numerical strategies in forming simulation which has been traditionally one of the mini symposia of the conference

High-temperature Oxidation and Corrosion 2005 Shigeji Taniguchi,2006 This volume contains 80 selected peer reviewed papers divided into the sections Fundamentals of High Temperature Oxidation and Corrosion Steam Oxidation and Influence of Hydrogen Protective Coatings and Surface Treatments Mechanical and Chemical Aspects of Scale Adhesion Corrosion in Incinerators and Metal Dusting and Oxidation of Ceramics and Intermetallics

The Journal of the Iron and Steel Institute Iron and Steel Institute,1922 Includes the institute s Proceedings

The Metal Industry ,1927 Includes monthly Abstracts of recent literature relating to non ferrous and ferrous metals

Metals Abstracts Index ,1996

Engineering Production ,1921

Metals Abstracts ,1998

Transactions Iron and Steel Institute,1922

Advancement of Materials, Manufacturing and Devices Ruhayuddin Mohd Zaki,Khairrel Rafezi Ahmad,Mohd Sobri Idris,2022-11-21 Selected peer reviewed extended articles based on abstracts presented at the International Conference on Advancement of Materials Manufacturing and

Devices 2021 ICAMaDe 2021 Aggregated Book **High Temperature Corrosion and Protection of Materials 6** Pierre Steinmetz, 2004 **Materials Properties and Testing** Šárka Nenadálová, Kateřina Hamplová, Petra Johová, Kiang Hwee Tan, Akihiko Fujiwara, Ruhayuddin Mohd Zaki, Syed Khalid Shah, 2022-08-30 Special topic volume with invited peer reviewed papers only **Fundamentals of Modeling for Metals Processing** David U. Furrer, ASM International. Handbook Committee, 2009 This Handbook provides an overview of the development of models of metallic materials and how the materials are affected by processing This knowledge is central to understanding of the behaviour of existing alloys and the development of new materials that affect nearly every manufacturing industry Background on fundamental modeling methods provides the user with a solid foundation of the underlying physics that support the mechanistic method of many industrial simulation software packages The phenomenological method is given equal coverage

Immerse yourself in heartwarming tales of love and emotion with its touching creation, Tender Moments: **Oxide Scale Behaviour In High Temperature Metal Processing** . This emotionally charged ebook, available for download in a PDF format (*), is a celebration of love in all its forms. Download now and let the warmth of these stories envelop your heart.

https://py.bijouxmedusa.com/public/publication/default.aspx/62_1464_AI_Marketing_Software_For_Startups_62_492_AI_Marketing_Software.pdf

Table of Contents Oxide Scale Behaviour In High Temperature Metal Processing

1. Understanding the eBook Oxide Scale Behaviour In High Temperature Metal Processing
 - The Rise of Digital Reading Oxide Scale Behaviour In High Temperature Metal Processing
 - Advantages of eBooks Over Traditional Books
2. Identifying Oxide Scale Behaviour In High Temperature Metal Processing
 - Exploring Different Genres
 - Considering Fiction vs. Non-Fiction
 - Determining Your Reading Goals
3. Choosing the Right eBook Platform
 - Popular eBook Platforms
 - Features to Look for in an Oxide Scale Behaviour In High Temperature Metal Processing
 - User-Friendly Interface
4. Exploring eBook Recommendations from Oxide Scale Behaviour In High Temperature Metal Processing
 - Personalized Recommendations
 - Oxide Scale Behaviour In High Temperature Metal Processing User Reviews and Ratings
 - Oxide Scale Behaviour In High Temperature Metal Processing and Bestseller Lists
5. Accessing Oxide Scale Behaviour In High Temperature Metal Processing Free and Paid eBooks
 - Oxide Scale Behaviour In High Temperature Metal Processing Public Domain eBooks
 - Oxide Scale Behaviour In High Temperature Metal Processing eBook Subscription Services
 - Oxide Scale Behaviour In High Temperature Metal Processing Budget-Friendly Options

6. Navigating Oxide Scale Behaviour In High Temperature Metal Processing eBook Formats
 - ePub, PDF, MOBI, and More
 - Oxide Scale Behaviour In High Temperature Metal Processing Compatibility with Devices
 - Oxide Scale Behaviour In High Temperature Metal Processing Enhanced eBook Features
7. Enhancing Your Reading Experience
 - Adjustable Fonts and Text Sizes of Oxide Scale Behaviour In High Temperature Metal Processing
 - Highlighting and Note-Taking Oxide Scale Behaviour In High Temperature Metal Processing
 - Interactive Elements Oxide Scale Behaviour In High Temperature Metal Processing
8. Staying Engaged with Oxide Scale Behaviour In High Temperature Metal Processing
 - Joining Online Reading Communities
 - Participating in Virtual Book Clubs
 - Following Authors and Publishers Oxide Scale Behaviour In High Temperature Metal Processing
9. Balancing eBooks and Physical Books Oxide Scale Behaviour In High Temperature Metal Processing
 - Benefits of a Digital Library
 - Creating a Diverse Reading Collection Oxide Scale Behaviour In High Temperature Metal Processing
10. Overcoming Reading Challenges
 - Dealing with Digital Eye Strain
 - Minimizing Distractions
 - Managing Screen Time
11. Cultivating a Reading Routine Oxide Scale Behaviour In High Temperature Metal Processing
 - Setting Reading Goals Oxide Scale Behaviour In High Temperature Metal Processing
 - Carving Out Dedicated Reading Time
12. Sourcing Reliable Information of Oxide Scale Behaviour In High Temperature Metal Processing
 - Fact-Checking eBook Content of Oxide Scale Behaviour In High Temperature Metal Processing
 - Distinguishing Credible Sources
13. Promoting Lifelong Learning
 - Utilizing eBooks for Skill Development
 - Exploring Educational eBooks
14. Embracing eBook Trends
 - Integration of Multimedia Elements

- Interactive and Gamified eBooks

Oxide Scale Behaviour In High Temperature Metal Processing Introduction

In this digital age, the convenience of accessing information at our fingertips has become a necessity. Whether its research papers, eBooks, or user manuals, PDF files have become the preferred format for sharing and reading documents. However, the cost associated with purchasing PDF files can sometimes be a barrier for many individuals and organizations. Thankfully, there are numerous websites and platforms that allow users to download free PDF files legally. In this article, we will explore some of the best platforms to download free PDFs. One of the most popular platforms to download free PDF files is Project Gutenberg. This online library offers over 60,000 free eBooks that are in the public domain. From classic literature to historical documents, Project Gutenberg provides a wide range of PDF files that can be downloaded and enjoyed on various devices. The website is user-friendly and allows users to search for specific titles or browse through different categories. Another reliable platform for downloading Oxide Scale Behaviour In High Temperature Metal Processing free PDF files is Open Library. With its vast collection of over 1 million eBooks, Open Library has something for every reader. The website offers a seamless experience by providing options to borrow or download PDF files. Users simply need to create a free account to access this treasure trove of knowledge. Open Library also allows users to contribute by uploading and sharing their own PDF files, making it a collaborative platform for book enthusiasts. For those interested in academic resources, there are websites dedicated to providing free PDFs of research papers and scientific articles. One such website is Academia.edu, which allows researchers and scholars to share their work with a global audience. Users can download PDF files of research papers, theses, and dissertations covering a wide range of subjects. Academia.edu also provides a platform for discussions and networking within the academic community. When it comes to downloading Oxide Scale Behaviour In High Temperature Metal Processing free PDF files of magazines, brochures, and catalogs, Issuu is a popular choice. This digital publishing platform hosts a vast collection of publications from around the world. Users can search for specific titles or explore various categories and genres. Issuu offers a seamless reading experience with its user-friendly interface and allows users to download PDF files for offline reading. Apart from dedicated platforms, search engines also play a crucial role in finding free PDF files. Google, for instance, has an advanced search feature that allows users to filter results by file type. By specifying the file type as "PDF," users can find websites that offer free PDF downloads on a specific topic. While downloading Oxide Scale Behaviour In High Temperature Metal Processing free PDF files is convenient, its important to note that copyright laws must be respected. Always ensure that the PDF files you download are legally available for free. Many authors and publishers voluntarily provide free PDF versions of their work, but its essential to be cautious and verify the authenticity of the source before downloading Oxide Scale Behaviour In High Temperature Metal Processing. In conclusion,

the internet offers numerous platforms and websites that allow users to download free PDF files legally. Whether its classic literature, research papers, or magazines, there is something for everyone. The platforms mentioned in this article, such as Project Gutenberg, Open Library, Academia.edu, and Issuu, provide access to a vast collection of PDF files. However, users should always be cautious and verify the legality of the source before downloading Oxide Scale Behaviour In High Temperature Metal Processing any PDF files. With these platforms, the world of PDF downloads is just a click away.

FAQs About Oxide Scale Behaviour In High Temperature Metal Processing Books

How do I know which eBook platform is the best for me? Finding the best eBook platform depends on your reading preferences and device compatibility. Research different platforms, read user reviews, and explore their features before making a choice. Are free eBooks of good quality? Yes, many reputable platforms offer high-quality free eBooks, including classics and public domain works. However, make sure to verify the source to ensure the eBook credibility. Can I read eBooks without an eReader? Absolutely! Most eBook platforms offer web-based readers or mobile apps that allow you to read eBooks on your computer, tablet, or smartphone. How do I avoid digital eye strain while reading eBooks? To prevent digital eye strain, take regular breaks, adjust the font size and background color, and ensure proper lighting while reading eBooks. What the advantage of interactive eBooks? Interactive eBooks incorporate multimedia elements, quizzes, and activities, enhancing the reader engagement and providing a more immersive learning experience. Oxide Scale Behaviour In High Temperature Metal Processing is one of the best book in our library for free trial. We provide copy of Oxide Scale Behaviour In High Temperature Metal Processing in digital format, so the resources that you find are reliable. There are also many Ebooks of related with Oxide Scale Behaviour In High Temperature Metal Processing. Where to download Oxide Scale Behaviour In High Temperature Metal Processing online for free? Are you looking for Oxide Scale Behaviour In High Temperature Metal Processing PDF? This is definitely going to save you time and cash in something you should think about.

Find Oxide Scale Behaviour In High Temperature Metal Processing :

62-1464 AI marketing software for startups 62-492 AI marketing software
business guide for startups 62-2120 dropshipping business guide for
[ecommerce trends roadmap America 62-2395 ecommerce trends roadmap USA](#)
tools United States 62-1 productivity hacks tools for creators 62-1543
62-2498 electric vehicles comparison for startups 62-1266 electric

[growth strategies for small business 62-1105](#) [Instagram growth strategies 62-2190](#) [luxury travel checklist USA 62-2103](#) [luxury travel checklist USA for small business 62-2294](#) [mental wellness tools USA 62-1318](#) [mental business ideas ideas for entrepreneurs 62-976](#) [small business ideas ideas software United States 62-2519](#) [crypto trading software United States marketing ideas for entrepreneurs 62-2343](#) [TikTok marketing ideas for startups 62-29](#) [ecommerce trends best practices USA 62-1870](#) [ecommerce United States 62-2811](#) [online business trends for entrepreneurs 62-1551](#) [62-2111](#) [mental wellness tutorial United States 62-2340](#) [minimalist Instagram growth checklist America 62-331](#) [Instagram growth comparison](#)

Oxide Scale Behaviour In High Temperature Metal Processing :

ernst klett verlag natura biologie ausgabe nordrhein westfalen - Apr 11 2023

web produktübersicht natura biologie ausgabe nordrhein westfalen oberstufe ab 2022 einstieg konzeption produktübersicht alle schuljahre 10 schuljahr 11 schuljahr 12 schuljahr 13 schuljahr stoffverteilung produktübersicht produkt und preisliste drucken für lernende für lehrkräfte schulbücher 2 blättern im buch 19 95 inkl mwst

[natura biologie oberstufe stoffwechsel themenheft](#) - Feb 26 2022

web 2 natura biologie oberstufe stoffwechsel themenheft 2021 01 31 nutrient cycling and decomposition plant pollination and flood control all of which are dependent on biodiversity

ernst klett verlag natura biologie allgemeine ausgabe oberstufe - Jul 14 2023

web natura biologie einführungsphase allgemeine ausgabe oberstufe ab 2022 schulbuch klasse 10 g8 klasse 11 g9 isbn 978 3 12 049000 5 weitere informationen blättern im buch 38 95 inkl mwst

natura biologie oberstufe themenband zelle und stoffwechsel - Jan 08 2023

web natura biologie oberstufe themenband zelle und stoffwechsel klassen 10 12 g8 klassen 11 13 g9 natura biologie oberstufe ausgabe ab 2016 amazon de bücher bücher

natura biologie oberstufe themenheft stoffwechsel 2005 ebay - Jun 01 2022

web entdecken sie natura biologie oberstufe themenheft stoffwechsel 2005 taschenbuch in der großen auswahl bei ebay kostenlose lieferung für viele artikel

[natura biologie oberstufe themenheft stoffwechsel](#) - Jul 02 2022

web alles immer versandkostenfrei

natura biologie oberstufe themenheft stoffwechsel - Dec 07 2022

web jetzt online bestellen heimlieferung oder in filiale natura biologie oberstufe themenheft stoffwechsel orell füssli der buchhändler ihres vertrauens

natura biologie oberstufe themenband zelle und stoffwechsel - Jun 13 2023

web natura biologie oberstufe themenband zelle und stoffwechsel mit den themenbänden zur aktuellen ausgabe der natura oberstufe sind sie optimal ausgestattet für ihren unterricht in vertiefenden kursen und zur förderung leistungsstarker und besonders interessierter schülerinnen und schüler

natura biologie oberstufe themenheft stoffwechsel neues - Oct 05 2022

web natura biologie oberstufe themenheft stoffwechsel finden sie alle bücher von siegfried kluge bei der büchersuchmaschine eurobuch com können sie antiquarische und neubücher vergleichen und sofort zum bestpreis bestellen natura biologie erschienen bei klett ernst schulbuch sprache deutsch gewicht

natura biologie oberstufe Ökologie themenheft klassen 11 13 natura - Jan 28 2022

web natura biologie oberstufe Ökologie themenheft klassen 11 13 natura biologie ausgabe ab 2000 amazon de bücher zum hauptinhalt wechseln de hallo lieferadresse wählen bücher wähle die kategorie aus in der du suchen möchtest

natura biologie für gymnasien ausgabe für die oberstufe - Apr 30 2022

web natura biologie für gymnasien ausgabe für die oberstufe themenheft stoffwechsel september 2005 isbn kostenloser versand für alle bücher mit versand und verkauf duch amazon

ernst klett verlag natura biologie allgemeine ausgabe oberstufe - Mar 10 2023

web natura biologie allgemeine ausgabe oberstufe ab 2022 einstieg konzeption produktübersicht stoffverteilung kostenlos interaktive simulationen für ihren unterricht stoffverteilungs pläne für berlin brandenburg hessen und rheinland pfalz der neue gesamtband das schulbuch ist komplett online hier klicken

natura klett - Feb 09 2023

web arbeitsmethoden in der biologie 4 1 zellbiologie 5 1 1 der startschuss zur entstehung des lebens 5 1 2 das mikroskopische bild der zelle 6 1 3 stofftransport 10 1 4 enzyme katalysatoren des lebens 12 2 stoffwechsel 17 2 1 energiehaushalt von menschen und tieren 17 2 2 dissimilation zellatmung 21 2 3 energiehaushalt und ernährung der

natura biologie oberstufe stoffwechsel themenheft klassen 11 - Nov 06 2022

web natura biologie oberstufe stoffwechsel themenheft klassen 11 13 natura biologie ausgabe ab 2000 amazon de bücher

ernst klett verlag themenhefte bände produktart - May 12 2023

web natura biologie oberstufe themenband Ökologie klassen 10 12 g8 klassen 11 13 g9 isbn 978 3 12 049161 3 weitere informationen 22 95 inkl mwst natura biologie oberstufe themenband neurobiologie und verhalten

natura biologie oberstufe stoffwechsel themenheft - Sep 04 2022

web biologie für die oberstufe themenband Ökologie sep 02 2020 Ökologie lebendig aktuell und verständlich die gesamte oberstufen Ökologie auf basis des campbell die bewährten grundlagen aus dem gesamtband ergänzt um eine vielzahl von beispielen

natura biologie oberstufe stoffwechsel themenheft pdf full pdf - Dec 27 2021

web natura biologie oberstufe stoffwechsel themenheft pdf pages 3 9 natura biologie oberstufe stoffwechsel themenheft pdf upload betty d paterson 3 9 downloaded from red ortax org on september 7 2023 by betty d paterson to break new ground in two respects it was the first peatlands and climate change

ernst klett verlag natura biologie allgemeine ausgabe - Aug 03 2022

web natura biologie allgemeine ausgabe gymnasium ab 2022 natura biologie allgemeine ausgabe gymnasium ab 2022

einstieg konzeption produktübersicht alle schuljahre 5 schuljahr 6 schuljahr 7 schuljahr 8 schuljahr 9 schuljahr 10 schuljahr

natura biologie oberstufe themenheft stoffwechsel ebay - Mar 30 2022

web entdecken sie natura biologie oberstufe themenheft stoffwechsel in der großen auswahl bei ebay kostenlose lieferung für viele artikel

natura biologie oberstufe stoffwechsel ernst klett verlag - Aug 15 2023

web themen vertiefen mit wenig aufwand die natura themenhefte oberstufe natura bietet ihnen je einen speziellen band zu den themen genetik und immunbiologie stoffwechsel neurobiologie und verhalten Ökologie und evolution

old time gospel crosspicking guitar solos ebook online - Apr 15 2022

web old time gospel crosspicking guitar solos aimed at intermediate guitar players includes 30 of the most popular and best loved traditional gospel songs these solos will make a delightful contribution to any guitarist s repertoire chords melodies in tablature and standard notation and l more

old time gospel crosspicking guitar solos book mel bay - Oct 02 2023

web old time gospel crosspicking guitar solos aimed at intermediate guitar players includes 30 of the most popular and best loved traditional gospel songs these solos will make a delightful contribution to any guitarist s repertoire chords melodies in tablature and standard notation and l more

old time gospel crosspicking guitar solos google books - Dec 24 2022

web it has a unique sound that in some ways mimics a three finger guitar or five stringbanjo roll yet is completely different from either old time gospel crosspicking guitar solos aimed at

sheet music bruce dix old time gospel crosspicking guitar solos - Sep 20 2022

web old time gospel crosspicking guitar solos aimed at intermediate guitar players includes 30 of the most popular and best

loved traditional gospel songs these solos will make a delightful contribution to any guitarist s repertoire

old time gospel crosspicking guitar solos book cd set sheet - Apr 27 2023

web old time gospel crosspicking guitar solos aimed at intermediate guitar players includes 30 of the most popular and best

loved traditional gospel songs these solos will make a delightful contribution to any guitarist s repertoire

old time gospel crosspicking guitar solos by dix bruce goodreads - Mar 15 2022

web old time gospel crosspicking guitar solos aimed at intermediate guitar players includes 30 of the most popular and best

loved traditional gospel songs these solos will make a delightful contribution to any guitarist s repertoire

old time gospel crosspicking guitar solosold time bluegrass - May 29 2023

web old time gospel crosspicking guitar solos aimed at intermediate guitar players includes 30 of the most popular and best

loved traditional gospel songs these solos will make a delightful contribution to any guitarist s repertoire

old time gospel crosspicking guitar solos alibris - Feb 11 2022

web buy old time gospel crosspicking guitar solos by dix bruce online at alibris we have new and used copies available in 1

editions starting at 13 00 shop now

dix bruce old time gospel crosspicking guitar solos - Aug 20 2022

web jan 10 2023 dix bruce old time gospel crosspicking guitar solos pdf crosspicking is a stunning and beautiful guitar

technique played with a flatpick it has a unique sound that in some ways mimics a three finger guitar or five string banjo roll yet is

old time gospel crosspicking guitar solos ebook epub fnac - Oct 22 2022

web old time gospel crosspicking guitar solos aimed at intermediate guitar players includes 30 of the most popular and best

loved traditional gospel songs these solos will make a delightful contribution to any guitarist s repertoire chords melodies in tablature and standard notation and lyrics are

old time gospel crosspicking guitar solos goodreads - Nov 22 2022

web old time gospel crosspicking guitar solos aimed at intermediate guitar players includes 30 of the most popular and best

loved traditional gospel songs these solos will make a delightful contribution to any guitarist s repertoire

old time gospel crosspicking guitar solos softcover abebooks - Feb 23 2023

web old time gospel crosspicking guitar solos aimed at intermediate guitar players includes 30 of the most popular and best

loved traditional gospel songs these solos will make a delightful contribution to any guitarist s repertoire

old time gospel crosspicking guitar solos musix - Jan 25 2023

web old time gospel crosspicking guitar solos by dix bruce crosspicking is a stunning and beautiful guitar technique played

with a flatpick it has a unique sound see audio samples below that in some ways mimics a three finger guitar or five string

banjo roll yet is completely different from either

old time gospel crosspicking guitar solos by dix bruce guitar - Jul 31 2023

web old time gospel crosspicking guitar solos aimed at intermediate guitar players includes 30 of the most popular and best loved traditional gospel songs these solos will make a delightful contribution to any guitarist s repertoire

old time gospel crosspicking guitar solos amazon com - Sep 01 2023

web dec 2 2015 old time gospel crosspicking guitar solos paperback december 2 2015 cross picking is a stunning and beautiful guitar technique played with a flatpick it has a unique sound that in some ways mimics a three finger guitar or five string banjo roll yet is completely different from either

old time gospel crosspicking guitar solos google books - Jul 19 2022

web old time gospel crosspicking guitar solos aimed at intermediate guitar players includes 30 of the most popular and best loved traditional gospel songs these solos will make a delightful contribution to any guitarist s repertoire

old time gospel crosspicking guitar solos google play - Mar 27 2023

web old time gospel crosspicking guitar solos ebook written by dix bruce read this book using google play books app on your pc android ios devices download for offline reading highlight bookmark or take notes while you

old time gospel crosspicking guitar solos alibris - Jun 17 2022

web old time gospel crosspicking guitar solos aimed at intermediate guitar players includes 30 of the most popular and best loved traditional gospel songs these solos will make a delightful contribution to any guitarist s repertoire

old time gospel crosspicking guitar solos abebooks - May 17 2022

web oct 1 2020 free shipping isbn 9780786693986 soft cover mel bay publications inc 2015 condition new buy with confidence book is in new never used condition old time gospel crosspicking guitar solos

old time gospel crosspicking guitar solos amazon com - Jun 29 2023

web oct 28 2018 crosspicking is a stunning and beautiful guitar technique played with a flatpick it has a unique sound that in some ways mimics a three finger guitar or five string banjo roll yet is completely different from either

electronic communication system 5ed by kennedy biblio - Oct 22 2022

jan 1 1977 davis kennedy bernard davis 3 83 116 ratings9 reviews book looks just as photo in listing about 9x8x1 5 inches and weights 2 pounds 14 4 ounces it is dark blue and

kennedy s electronic communication systems information center - Apr 27 2023

nov 15 2020 created by an anonymous user imported from scriblio marc record electronic communication systems by kennedy george 1993 glencoe edition in english 4th ed

electronic communication system george kennedy pdf - Oct 02 2023

electronic communication system george kennedy free pdf download 782 pages year 2016 communication systems read online pdf room

kennedy s electronic communication systems amazon in - Mar 27 2023

download electronic communication system by george kennedy pdf type pdf date october 2019 size 41 3mb author vasu this document was uploaded by user and they

electronic communication systems fifth edition - Feb 23 2023

find the best prices on electronic communication system 5ed by kennedy at biblio paperback 2011 mc graw hill india 9780071077828

electronic communication systems by kennedy george open - Dec 24 2022

electronic communication systems by george kennedy dec 1992 written by bernard davis george kennedy and s prasanna the fifth edition of kennedys electronic

electronic communication systems kennedy - Sep 01 2023

jul 26 1994 bibliographic information title electronic communication systems author kennedy publisher mcgraw hill education india pvt limited 1999 isbn 0074636820

kennedy 5th edition electronics communication system - Apr 15 2022

electronic communication systems kennedy george 1937 free download borrow and streaming internet archive

electronic communication systems by davis kennedy - Jun 17 2022

sep 15 2017 kennedy 5th edition electronics communication system chapter kennedy 5th edition electronics communication system edition kennedy 5th edition

electronics communication system by - Jul 31 2023

isbn 0071077820 copyright year 2011 kennedy s electronic communication systems is a classic literature on communications the subject of communications is abstract and highly

electronic communication systems george kennedy bernard - Jan 25 2023

electronic communication ey eat panis ay wa fourth edition peer eee ey eae eeftata mcgraw hill electronic communication systems fourth edition copyright 1995 by the

free book download electronic - May 29 2023

electronic communication systems electrical engineering series mcgraw hill international editions electrical engineering series mcgraw hill series in electrical engineering authors

[communication systems by george kennedy pdf scribd](#) - Aug 20 2022

kennedy 5th edition electronics communication system fundamentals of electric circuits nov 13 2019 alexander and sadiku s

fifth edition of fundamentals of electric circuits

kennedy 5th edition electronics communication system - Jan 13 2022

kennedy 5th edition electronics communication system issuu - Feb 11 2022

download electronic communication system by george - Nov 22 2022

buy electronic communication systems international 2 revised ed by kennedy george davis bernard davis bernard isbn 9780071126724 from amazon s book store everyday

electronic communication systems kennedy google books - Jun 29 2023

jun 13 2011 written by bernard davis george kennedy and s r m prasanna the fifth edition of kennedy s electronic communication systems was published by tata mcgraw

electronic communication systems kennedy george 1937 - Dec 12 2021

electronic communication systems kennedy davis - May 17 2022

the experiments described in this book enable the students to learn various analog integrated circuits and their functions analog and digital communication techniques power

answer keys for electronics communication systems by - Mar 15 2022

electronic communication systems george kennedy bernard davis glencoe 1993 telecommunication 763 pages

electronic communication systems by kennedy pdf scribd - Sep 20 2022

jan 1 1992 electronic communication systems paperback international edition january 1 1992 by davis kennedy author 4 8 4 8 out of 5 stars 9 ratings

electronic communication systems amazon co uk kennedy - Jul 19 2022

download view answer keys for electronics communication systems by george kennedy pdf as pdf for free more details words 10 947 pages 57 preview full text related

electronic communication systems george kennedy bernard - Nov 10 2021