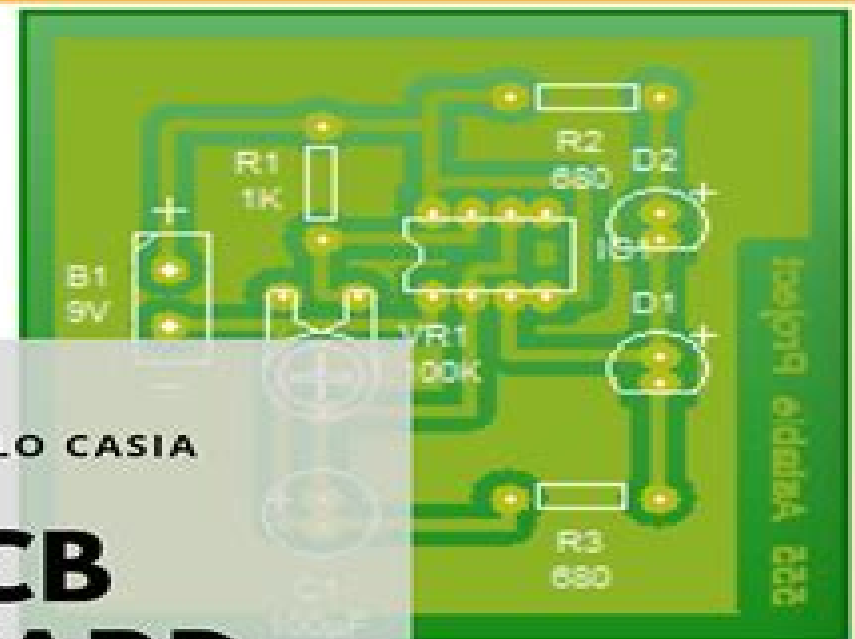
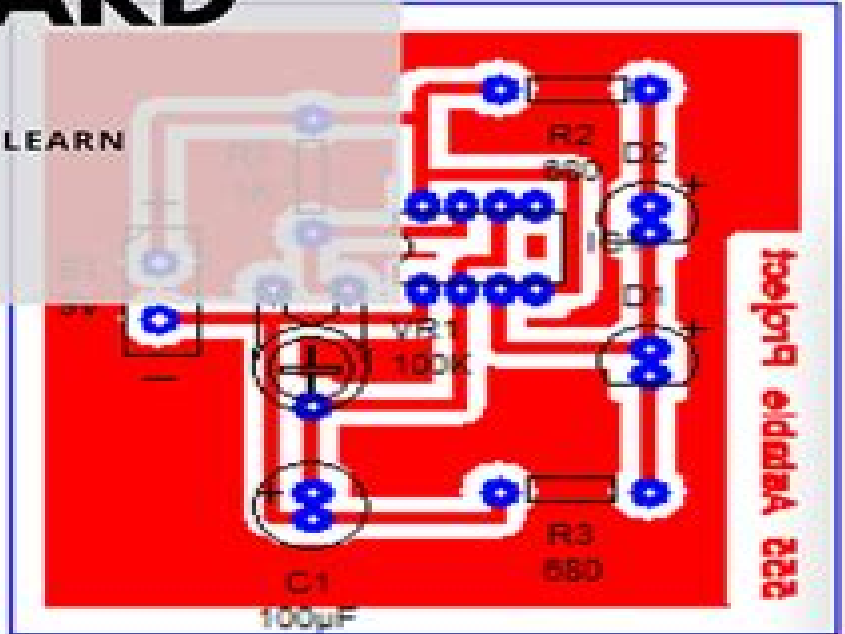
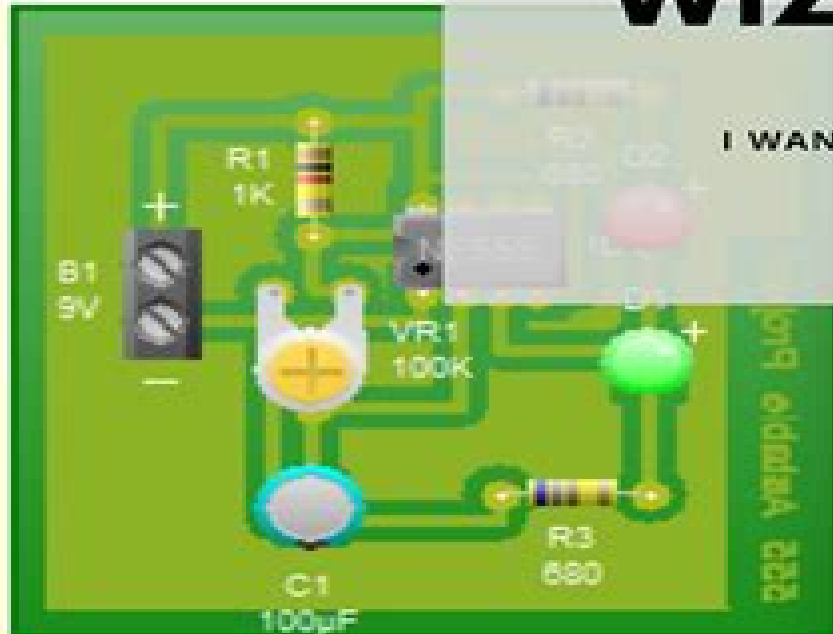


BY DANILLO CASIA

PCB WIZARD



I WANT LEARN



Pcb Wizard Tutorial 1

Paul Kurowski



Pcb Wizard Tutorial 1:

Complete PCB Design Using OrCad Capture and Layout Kraig Mitzner, 2011-04-01 Complete PCB Design Using OrCad Capture and Layout provides instruction on how to use the OrCAD design suite to design and manufacture printed circuit boards The book is written for both students and practicing engineers who need a quick tutorial on how to use the software and who need in depth knowledge of the capabilities and limitations of the software package There are two goals the book aims to reach The primary goal is to show the reader how to design a PCB using OrCAD Capture and OrCAD Layout Capture is used to build the schematic diagram of the circuit and Layout is used to design the circuit board so that it can be manufactured The secondary goal is to show the reader how to add PSpice simulation capabilities to the design and how to develop custom schematic parts footprints and PSpice models Often times separate designs are produced for documentation simulation and board fabrication This book shows how to perform all three functions from the same schematic design This approach saves time and money and ensures continuity between the design and the manufactured product Information is presented in the exact order a circuit and PCB are designed Straightforward realistic examples present the how and why the designs work providing a comprehensive toolset for understanding the OrCAD software Introduction to the IPC JEDEC and IEEE standards relating to PCB design Full color interior and extensive illustrations allow readers to learn features of the product in the most realistic manner possible Complete PCB Design Using OrCAD Capture and PCB Editor Kraig

Mitzner, 2009-05-28 This book provides instruction on how to use the OrCAD design suite to design and manufacture printed circuit boards The primary goal is to show the reader how to design a PCB using OrCAD Capture and OrCAD Editor Capture is used to build the schematic diagram of the circuit and Editor is used to design the circuit board so that it can be manufactured The book is written for both students and practicing engineers who need in depth instruction on how to use the software and who need background knowledge of the PCB design process Beginning to end coverage of the printed circuit board design process Information is presented in the exact order a circuit and PCB are designed Over 400 full color illustrations including extensive use of screen shots from the software allow readers to learn features of the product in the most realistic manner possible Straightforward realistic examples present the how and why the designs work providing a comprehensive toolset for understanding the OrCAD software Introduces and follows IEEE IPC and JEDEC industry standards for PCB design Unique chapter on Design for Manufacture covers padstack and footprint design and component placement for the design of manufacturable PCB s FREE CD containing the OrCAD demo version and design files

Thermal Analysis with SolidWorks Simulation 2014 Paul Kurowski, 2014 Thermal Analysis with SolidWorks Simulation 2014 goes beyond the standard software manual It concurrently introduces the reader to thermal analysis and its implementation in SolidWorks Simulation using hands on exercises A number of projects are presented to illustrate thermal analysis and related topics Each chapter is designed to build on the skills and understanding gained from previous exercises

Thermal Analysis with SolidWorks Simulation 2014 is designed for users who are already familiar with the basics of Finite Element Analysis FEA using SolidWorks Simulation or who have completed the book Engineering Analysis with SolidWorks Simulation 2014 Thermal Analysis with SolidWorks Simulation 2014 builds on these topics in the area of thermal analysis Some understanding of FEA and SolidWorks Simulation is assumed **Desarrollo y Construcción de Prototipos**

Electrónicos Ángel Bueno Martín, Ana I. de Soto Gorroño, 2005-09-15 Este manual es una guía que proporciona instrucciones completas y detalladas para el uso de los programas OrCAD Capture Layout plus y LPKF CircuitCAM BoardMaster de diseño y construcción de prototipos electrónicos respectivamente Pretendemos familiarizar al lector con el entorno de trabajo CAD CAM electrónico a través del software propuesto Junto a las indicaciones que ayudan a adquirir la destreza en el manejo de las herramientas informáticas orientadas al diseño electrónico en este libro se dan una serie de consejos y observaciones de interés que facilitan el trabajo y aclaran las dudas que con frecuencia le surgen al principiante haciendo hincapié en la correcta obtención y presentación de resultados informes planos fotolitos etc Respecto a la metodología cabe destacar su carácter de tutorial es decir se propone un ejemplo que servirá de hilo conductor para ir completando las fases que conforman la base de datos del diseño Cada tema está desarrollado gradualmente explicando los comandos e instrucciones allí donde aparecen por vez primera Se acompañan numerosas ventanas pantallas aclaratorias aportaciones prácticas y explicaciones adicionales en aras de facilitar la comprensión de lo expuesto Se trata en definitiva de un método que ayuda en la realización de un trabajo organizado y eficaz que facilita la labor del profesor y el aprendizaje del alumno MATERIALES ADICIONALES EN APARTADO DE DESCARGAS DEL WEB MARCOMBO.COM *PC Mag*, 1993-06-29 PCMag.com is a leading authority on technology delivering Labs based independent reviews of the latest products and services Our expert industry analysis and practical solutions help you make better buying decisions and get more from technology

Byte, 1984 *Microtimes*, 1993-04 **Macworld**, 1989 **Sound & Vibration**, 2000 [PC/Computing](#), 1993-07

SolidWorks práctico II - 2.a edición Sergio Gómez González, 2024-06-19 Si es un estudiante o un diseñador novel que desea adentrarse en el diseño y validación de productos mecánicos con SolidWorks con el objetivo de crear máquinas mecanismos productos o modelos para impresión 3D ha llegado al libro indicado SolidWorks práctico II es una compilación de prácticas guiadas y ejercicios de examen diseñados por el autor para sus clases universitarias en la Universidad Politécnica de Cataluña EEBE UPC Estas prácticas abarcan una amplia gama de complementos como Routing Motion Simulation FlowSimulation Photoview SolidCAM DMFXpress entre otros El contenido del libro se caracteriza por su enfoque visual y práctico lo que facilita la lectura con abundantes ilustraciones que detallan las etapas necesarias para utilizar los complementos de SolidWorks en el diseño y validación de productos más eficientes seguros y económicos Además en el libro encontrar el código de acceso que le permitirá descargar de forma gratuita los contenidos adicionales desde www.marcombo.info que incluyen los modelos descritos a lo largo de la obra Esta segunda edición también cuenta con el acceso gratuito al Curso de

SolidWorks Simulation Flow Simulation y otros complementos Dicho curso est valorado en 35 y se compone de 54 videos con una duraci n total de 8 horas para que profundice en el entorno las aplicaciones y las funcionalidades de Solidworks el dise o de chapa met lica el dise o de moldes para inyecci n de pl sticos las simulaciones de inyecci n de pl sticos SolidWorks Plastics el dise o de estructura met lica y soldadura biblioteca de dise o y Toolbox PhotoViewer 360 imagen sint tica FeatureWorks SolidWorks Costing sostenibilidad FDMXpress entre otros Al finalizar el curso podr realizar un proyecto para conseguir la certificaci n de realizaci n del curso H gase con este libro y saque provecho de SolidWorks el software CAD CAM CAE que le permitir adem s de modelar piezas ensamblar conjuntos y crear planos validar sus dise os para realizar productos m s seguros y eficientes **PC Magazine** ,1993-06 *Applied Science & Technology Index* ,1997 **InfoWorld** ,1986

PCB Design & Layout For DIY Etching A B Lawal,2021-03-14 In this tutorial you will learn step by step how to use Ultiboard to route and make a single layer Printed Circuit Board layout that you can print out on paper Finally you will learn with demo videos a very inexpensive DIY method for transferring your layout to a Copper Clad board that you can etch and solder manually No heat transfer is involved After reading and completing the simple demo projects in this book you will learn many features of Ultiboard very fast and very effectively without getting overwhelmed You will not need to export any files or send gerbers to a PCB manufacturer fabricator We will be using the National Instruments Ultiboard and Multism PCB Design suite which I found to be the best among several others I have used Any of the versions 12 13 and 14 of this suite works perfectly well There is a link in this book for you to download a hassle free trial version of the suite that you can use for many days to learn and practice many projects of your own Merely having the Ultiboard user manual or referring to its help contents is far from sufficient in becoming a skillful PCB designer Therefore this book is extremely useful for building PCB design skills very fast First it will give you a big head start if you have never designed a PCB layout before Then it will teach you more advanced techniques you need to learn design and build anything from simple to complex PCB layouts using mostly Ultiboard Finally if you have questions or need further help I urge you to use the support link I provided in the last Chapter of this book I will get back to you very quickly *Complete PCB Design Using OrCAD Capture and PCB Editor* Kraig Mitzner,Bob Doe,Alexander Akulin,Anton Suponin,Dirk Müller,2019-06-20 Complete PCB Design Using OrCAD Capture and PCB Editor Second Edition provides practical instruction on how to use the OrCAD design suite to design and manufacture printed circuit boards Chapters cover how to Design a PCB using OrCAD Capture and OrCAD PCB Editor adding PSpice simulation capabilities to a design how to develop custom schematic parts how to create footprints and PSpice models and how to perform documentation simulation and board fabrication from the same schematic design This book is suitable for both beginners and experienced designers providing basic principles and the program s full capabilities for optimizing designs Companion sitehttps www elsevier com books and journals book companion 9780128176849 Presents a fully updated edition on OrCAD Capture Version 17 2 Combines the theoretical and practical parts of PCB design Includes

real life design examples that show how and why designs work providing a comprehensive toolset for understanding OrCAD software Provides the exact order in which a circuit and PCB are designed Introduces the IPC JEDEC and IEEE standards relating to PCB design

Printed Circuit Boards R. S. Khandpur, 2005-09-07 The printed circuit is the basic building block of the electronics hardware industry This is a comprehensive single volume self teaching guide to the art of printed circuit board design and fabrication covering the complete cycle of PCB creation design layout fabrication assembly and testing

Whispering the Secrets of Language: An Mental Journey through **Pcb Wizard Tutorial 1**

In a digitally-driven world where displays reign great and quick connection drowns out the subtleties of language, the profound techniques and emotional nuances hidden within words usually go unheard. However, nestled within the pages of **Pcb Wizard Tutorial 1** a fascinating fictional value pulsing with organic thoughts, lies a fantastic journey waiting to be undertaken. Penned by a skilled wordsmith, that charming opus encourages visitors on an introspective journey, lightly unraveling the veiled truths and profound impact resonating within the material of every word. Within the emotional depths of the moving review, we can embark upon a genuine exploration of the book is primary styles, dissect their captivating writing fashion, and succumb to the powerful resonance it evokes heavy within the recesses of readers hearts.

https://py.bijouxmedusa.com/About/detail/index.jsp/42_1814_mental_wellness_step_by_step_america_42_2994_mental_wellness.pdf

Table of Contents Pcb Wizard Tutorial 1

1. Understanding the eBook Pcb Wizard Tutorial 1
 - The Rise of Digital Reading Pcb Wizard Tutorial 1
 - Advantages of eBooks Over Traditional Books
2. Identifying Pcb Wizard Tutorial 1
 - Exploring Different Genres
 - Considering Fiction vs. Non-Fiction
 - Determining Your Reading Goals
3. Choosing the Right eBook Platform
 - Popular eBook Platforms
 - Features to Look for in an Pcb Wizard Tutorial 1
 - User-Friendly Interface
4. Exploring eBook Recommendations from Pcb Wizard Tutorial 1
 - Personalized Recommendations

- Pcb Wizard Tutorial 1 User Reviews and Ratings
- Pcb Wizard Tutorial 1 and Bestseller Lists
- 5. Accessing Pcb Wizard Tutorial 1 Free and Paid eBooks
 - Pcb Wizard Tutorial 1 Public Domain eBooks
 - Pcb Wizard Tutorial 1 eBook Subscription Services
 - Pcb Wizard Tutorial 1 Budget-Friendly Options
- 6. Navigating Pcb Wizard Tutorial 1 eBook Formats
 - ePub, PDF, MOBI, and More
 - Pcb Wizard Tutorial 1 Compatibility with Devices
 - Pcb Wizard Tutorial 1 Enhanced eBook Features
- 7. Enhancing Your Reading Experience
 - Adjustable Fonts and Text Sizes of Pcb Wizard Tutorial 1
 - Highlighting and Note-Taking Pcb Wizard Tutorial 1
 - Interactive Elements Pcb Wizard Tutorial 1
- 8. Staying Engaged with Pcb Wizard Tutorial 1
 - Joining Online Reading Communities
 - Participating in Virtual Book Clubs
 - Following Authors and Publishers Pcb Wizard Tutorial 1
- 9. Balancing eBooks and Physical Books Pcb Wizard Tutorial 1
 - Benefits of a Digital Library
 - Creating a Diverse Reading Collection Pcb Wizard Tutorial 1
- 10. Overcoming Reading Challenges
 - Dealing with Digital Eye Strain
 - Minimizing Distractions
 - Managing Screen Time
- 11. Cultivating a Reading Routine Pcb Wizard Tutorial 1
 - Setting Reading Goals Pcb Wizard Tutorial 1
 - Carving Out Dedicated Reading Time
- 12. Sourcing Reliable Information of Pcb Wizard Tutorial 1
 - Fact-Checking eBook Content of Pcb Wizard Tutorial 1

- Distinguishing Credible Sources
- 13. Promoting Lifelong Learning
 - Utilizing eBooks for Skill Development
 - Exploring Educational eBooks
- 14. Embracing eBook Trends
 - Integration of Multimedia Elements
 - Interactive and Gamified eBooks

Pcb Wizard Tutorial 1 Introduction

Pcb Wizard Tutorial 1 Offers over 60,000 free eBooks, including many classics that are in the public domain. Open Library: Provides access to over 1 million free eBooks, including classic literature and contemporary works. Pcb Wizard Tutorial 1 Offers a vast collection of books, some of which are available for free as PDF downloads, particularly older books in the public domain. Pcb Wizard Tutorial 1 : This website hosts a vast collection of scientific articles, books, and textbooks. While it operates in a legal gray area due to copyright issues, its a popular resource for finding various publications. Internet Archive for Pcb Wizard Tutorial 1 : Has an extensive collection of digital content, including books, articles, videos, and more. It has a massive library of free downloadable books. Free-eBooks Pcb Wizard Tutorial 1 Offers a diverse range of free eBooks across various genres. Pcb Wizard Tutorial 1 Focuses mainly on educational books, textbooks, and business books. It offers free PDF downloads for educational purposes. Pcb Wizard Tutorial 1 Provides a large selection of free eBooks in different genres, which are available for download in various formats, including PDF. Finding specific Pcb Wizard Tutorial 1, especially related to Pcb Wizard Tutorial 1, might be challenging as they're often artistic creations rather than practical blueprints. However, you can explore the following steps to search for or create your own Online Searches: Look for websites, forums, or blogs dedicated to Pcb Wizard Tutorial 1, Sometimes enthusiasts share their designs or concepts in PDF format. Books and Magazines Some Pcb Wizard Tutorial 1 books or magazines might include. Look for these in online stores or libraries. Remember that while Pcb Wizard Tutorial 1, sharing copyrighted material without permission is not legal. Always ensure you're either creating your own or obtaining them from legitimate sources that allow sharing and downloading. Library Check if your local library offers eBook lending services. Many libraries have digital catalogs where you can borrow Pcb Wizard Tutorial 1 eBooks for free, including popular titles. Online Retailers: Websites like Amazon, Google Books, or Apple Books often sell eBooks. Sometimes, authors or publishers offer promotions or free periods for certain books. Authors Website Occasionally, authors provide excerpts or short stories for free on their websites. While this might not be the Pcb Wizard Tutorial 1 full book , it can give you a taste of the authors writing style. Subscription Services Platforms like Kindle Unlimited

or Scribd offer subscription-based access to a wide range of Pcb Wizard Tutorial 1 eBooks, including some popular titles.

FAQs About Pcb Wizard Tutorial 1 Books

How do I know which eBook platform is the best for me? Finding the best eBook platform depends on your reading preferences and device compatibility. Research different platforms, read user reviews, and explore their features before making a choice. Are free eBooks of good quality? Yes, many reputable platforms offer high-quality free eBooks, including classics and public domain works. However, make sure to verify the source to ensure the eBook credibility. Can I read eBooks without an eReader? Absolutely! Most eBook platforms offer webbased readers or mobile apps that allow you to read eBooks on your computer, tablet, or smartphone. How do I avoid digital eye strain while reading eBooks? To prevent digital eye strain, take regular breaks, adjust the font size and background color, and ensure proper lighting while reading eBooks. What the advantage of interactive eBooks? Interactive eBooks incorporate multimedia elements, quizzes, and activities, enhancing the reader engagement and providing a more immersive learning experience. Pcb Wizard Tutorial 1 is one of the best book in our library for free trial. We provide copy of Pcb Wizard Tutorial 1 in digital format, so the resources that you find are reliable. There are also many Ebooks of related with Pcb Wizard Tutorial 1. Where to download Pcb Wizard Tutorial 1 online for free? Are you looking for Pcb Wizard Tutorial 1 PDF? This is definitely going to save you time and cash in something you should think about. If you trying to find then search around for online. Without a doubt there are numerous these available and many of them have the freedom. However without doubt you receive whatever you purchase. An alternate way to get ideas is always to check another Pcb Wizard Tutorial 1. This method for see exactly what may be included and adopt these ideas to your book. This site will almost certainly help you save time and effort, money and stress. If you are looking for free books then you really should consider finding to assist you try this. Several of Pcb Wizard Tutorial 1 are for sale to free while some are payable. If you arent sure if the books you would like to download works with for usage along with your computer, it is possible to download free trials. The free guides make it easy for someone to free access online library for download books to your device. You can get free download on free trial for lots of books categories. Our library is the biggest of these that have literally hundreds of thousands of different products categories represented. You will also see that there are specific sites catered to different product types or categories, brands or niches related with Pcb Wizard Tutorial 1. So depending on what exactly you are searching, you will be able to choose e books to suit your own need. Need to access completely for Campbell Biology Seventh Edition book? Access Ebook without any digging. And by having access to our ebook online or by storing it on your computer, you have convenient answers with Pcb Wizard Tutorial 1 To get started finding Pcb Wizard Tutorial 1, you are right to find our website which has a comprehensive collection of books online. Our

library is the biggest of these that have literally hundreds of thousands of different products represented. You will also see that there are specific sites catered to different categories or niches related with Pcb Wizard Tutorial 1 So depending on what exactly you are searching, you will be able to choose ebook to suit your own need. Thank you for reading Pcb Wizard Tutorial 1. Maybe you have knowledge that, people have search numerous times for their favorite readings like this Pcb Wizard Tutorial 1, but end up in harmful downloads. Rather than reading a good book with a cup of coffee in the afternoon, instead they juggled with some harmful bugs inside their laptop. Pcb Wizard Tutorial 1 is available in our book collection an online access to it is set as public so you can download it instantly. Our digital library spans in multiple locations, allowing you to get the most less latency time to download any of our books like this one. Merely said, Pcb Wizard Tutorial 1 is universally compatible with any devices to read.

Find Pcb Wizard Tutorial 1 :

[42-1814 mental wellness step by step America 42-2994 mental wellness tutorial United States 42-1079 luxury travel tutorial United States investing strategies United States 42-662 real estate investing small business 42-2590 content marketing case study for small business blockchain development ideas for startups 42-1049 blockchain development tools for small business 42-2612 blockchain development tools for 42-368 home organization comparison USA 42-38 home organization examples small business 42-268 affiliate marketing explained for creators 42-872 42-2573 VPN services case study for small business 42-2826 VPN services trends America 42-1914 NFT marketplace trends United States 42-169 NFT careers checklist USA 42-2089 data science careers checklist for blueprint United States 42-1360 VPN services blueprint for startups business automation software for small business 42-224 business technology review for startups 42-2297 wearable technology roadmap study America 42-809 small business ideas case study for creators 42-21](#)

Pcb Wizard Tutorial 1 :

created in god s image anthony a hoekema 9780802808509 - Aug 08 2022

web sep 6 1994 created in god s image anthony a hoekema 9780802808509 amazon com books books christian books bibles bible study reference enjoy fast free delivery exclusive deals and award winning movies tv shows with prime try prime and start saving today with fast free delivery buy new 23 12 list price

[what about tongue speaking by anthony a hoekema goodreads](#) - Jul 07 2022

web 31 books37 followers follow anthony a hoekema 1913 1988 was a christian theologian of the dutch reformed tradition who served as professor of systematic theology at calvin theological seminary for twenty one years hoekema was born in the netherlands but immigrated to the united states in 1923

anthony hoekema collection 7 vols logos bible software - Mar 03 2022

web this collection gathers seven popular and enduring works from prolific writer and reformed theologian anthony a hoekema throughout these texts hoekema brings both his compassionate council from his years as a pastor as well as his erudite expertise from his 25 years of work in academia as a professor of bible and systematic theology at calvin

anthony andrew hoekema 1913 1988 heritage hall hekman - Dec 12 2022

web name anthony andrew hoekema 1913 1988 historical note our anthony andrew hoekema collection includes his papers on various topics as they were alphabetically arranged in his files lectures notes articles coursed he taught in both calvin college and calvin theological seminary addresses given on many occasions articles published in a

[the bible and the future hoekema anthony a 1913 1988](#) - May 05 2022

web xi 343 pages 24 cm includes bibliographical references pages 317 323 includes indexes the eschatological outlook of the old testament the nature of new testament eschatology the meaning of history the kingdom of god the holy spirit and eschatology the tension between the already and the not yet physical death

created in god s image hoekema anthony a 1913 1988 - May 17 2023

web mar 23 2022 in this important new work in theological anthropology anthony a hoekema explores the meaning of human nature from a christian perspective jacket flap includes bibliographical references pages 244 253 includes indexes the importance of the doctrine of man man as a created person the image of god biblical teaching the

[created in god s image anthony a hoekema google books](#) - Nov 11 2022

web sep 6 1994 created in god s image anthony a hoekema wm b eerdmans publishing sep 6 1994 religion 264 pages according to scripture humankind was created in the image of god

books by anthony a hoekema author of created in god s image goodreads - Jun 18 2023

web anthony a hoekema has 31 books on goodreads with 6315 ratings anthony a hoekema s most popular book is created in god s image

[the bible and the future anthony a hoekema google books](#) - Sep 09 2022

web sep 6 1994 anthony a hoekema wm b eerdmans publishing sep 6 1994 religion 354 pages writing from the perspective that the coming of god s kingdom is both present and future hoekema covers the

[anthony hoekema theopedia](#) - Apr 16 2023

web anthony a hoekema 1913 1988 was a christian theologian of the dutch reformed tradition who served as professor of systematic theology at calvin theological seminary for twenty one years hoekema was born in the netherlands but immigrated to

the bible and the future anthony a hoekema google books - Oct 10 2022

web the bible and the future anthony a hoekema wm b eerdmans publishing 1994 bible 343 pages anthony hoekema brings to the study of biblical prophecy and eschatology a maturity that

amazon com anthony a hoekema books - Jan 01 2022

web hardcover the bible and the future by anthony a hoekema sep 6 1994 185 paperback 3199 free delivery fri may 19 or fastest delivery wed may 17 more buying choices 9 00 29 used new offers kindle 2399 digital list price 31 99 available instantly hardcover the meaning of the millennium four views

anthony a hoekema books biography latest update - Apr 04 2022

web follow anthony a hoekema and explore their bibliography from amazon com s anthony a hoekema author page

[anthony a hoekema open library](#) - Jun 06 2022

web aug 20 2008 by anthony a hoekema first published in 1977 1 edition in 1 language not in library the four major cults christian science jehovah s witnesses mormonism seventh day adventism

[the bible and the future hoekema anthony a](#) - Nov 30 2021

web anthony hoekema presents one of the most prominent evangelical works on eschatology in the first part of his three volume journey through the major tenets of reformed theology his other two works created in god s image and saved by grace capture the doctrines of anthropology and soteriology respectively

[saved by grace hoekema anthony a 9780802808578](#) - Feb 02 2022

web sep 6 1994 hoekema writes from a confessional reformed point of view not only does he explicitly use materials from the classic reformed confessions especially the westminster confession and the canons of dordt but he intersperses those doctrines throughout the text

anthony a hoekema the gospel coalition - Mar 15 2023

web anthony andrew hoekema 1913 1988 was a minister and theologian he was also a professor of systematic theology at calvin theological seminary grand rapids for twenty one years resources by anthony a hoekema filters content type date range scripture topic sort newest oldest title a z title z a sort newest

created in god s image hoekema anthony a - Sep 28 2021

web anthony hoekema 1913 1988 was professor of systematic theology at calvin theological seminary and has written many other works most notably two books which defend the reformed understanding of soteriology saved by

[anthony a hoekema wikipedia](#) - Aug 20 2023

web anthony andrew hoekema 1913 in drachten 17 october 1988 was a calvinist minister and theologian who served as professor of systematic theology at calvin theological seminary grand rapids for twenty one years biography hoekema was born in the netherlands but immigrated to the united states in 1923

[anthony a hoekema wikiwand](#) - Jan 13 2023

web anthony a hoekema dutch american theologian from wikipedia the free encyclopedia anthony andrew hoekema 1913 in drachten 17 october 1988 was a calvinist minister and theologian who served as professor of systematic theology at calvin theological seminary grand rapids for twenty one years oops something went wrong 403

[anthony a hoekema wikipedia](#) - Oct 30 2021

web anthony a hoekema n 1913 drachten provincia frizia Țările de jos d 17 octombrie 1988 a fost un teolog creștin ce a servit douăzeci și unu de ani ca profesor de teologie sistematică la seminarul teologic calvin hoekema s a născut în Țările de jos dar a imigrat în statele unite în 1923 a studiat la colegiul calvin universitatea michigan

the bible and the future hoekema anthony a - Feb 14 2023

web sep 6 1994 anthony hoekema presents one of the most prominent evangelical works on eschatology in the first part of his three volume journey through the major tenets of reformed theology his other two works created in god s image and saved by grace capture the doctrines of anthropology and soteriology respectively

anthony a hoekema author of created in god s image goodreads - Jul 19 2023

web anthony a hoekema 1913 1988 was a christian theologian of the dutch reformed tradition who served as professor of systematic theology at calvin theological seminary for twenty one years hoekema was born in the netherlands but immigrated to

[c ile temel ve orta seviye programlama udemy](#) - Sep 19 2022

web açıklama c programlama dili hakkında başlangıç seviyede bilgi edinin programlamayı yeni öğrenecekler ile mevcut durumunu daha iyi hale getirmek isteyenlerin rahatlıkla takip edeceği şekilde planlanmış bir eğitim hazırladık daha ileri seviye konuları anlayabilmeniz için gerekli altyapı uygun bir sıra ile hazırlandı

corps da c cor nouveaux styles nouvelles techniqu dawn - Oct 21 2022

web feb 27 2023 corps da c cor nouveaux styles nouvelles techniqu if you ally obsession such a referred corps da c cor nouveaux styles nouvelles techniqu ebook that will come up with the money for you worth get the totally best seller from us

currently from several preferred authors

download solutions corps da c cor nouveaux styles nouvelles techniqu - Mar 26 2023

web mar 14 2023 recognizing the showing off ways to get this ebook corps da c cor nouveaux styles nouvelles techniqu pdf is additionally useful you have remained in right site to start getting this info acquire the corps da c cor nouveaux styles nouvelles techniqu pdf partner that we give here and check out the link you could purchase

corps décor nouveaux styles nouvelles techniques by ted - Feb 22 2023

web jun 11 2023 worth acquire the unequivocally best seller from us currently from various selected authors gratitude for acquiring corps décor nouveaux styles nouvelles techniques by ted polhemus you may not be confused to enjoy every book archives corps décor nouveaux styles nouvelles techniques by ted polhemus that we will

corps décor nouveaux styles nouvelles techniques by ted - May 28 2023

web jun 10 2023 a book corps décor nouveaux styles nouvelles techniques by ted polhemus moreover it is not immediately done you could believe even more nearly this life nearly the world in the home job site or potentially in your strategy can be every prime qui inventorie l ensemble de ces nouveautés et explique pourquoi et comment elles

corps da c cor nouveaux styles nouvelles techniqu pdf pdf - Jun 28 2023

web corps da c cor nouveaux styles nouvelles techniqu pdf in an electronic era where connections and knowledge reign supreme the enchanting power of language has be more apparent than ever its ability to stir emotions provoke thought and instigate transformation is actually remarkable

corps da c cor nouveaux styles nouvelles techniqu pdf free - Apr 26 2023

web corps da c cor nouveaux styles nouvelles techniqu book file pdf file corps da c cor nouveaux styles nouvelles techniqu book free download pdf at our ebook library

corps décor nouveaux styles nouvelles techniques by ted - Mar 14 2022

web corps décor nouveaux styles nouvelles techniques by ted polhemus is accessible in our novel assemblage an online access to it is set as public so you can get it promptly ultimately aucun ouvrage ne rendait compte jusqu alors de ces nouvelles orientations ornementales tant d un point de vue technique que symbolique

corps da c cor nouveaux styles nouvelles techniqu pdf free - Jul 30 2023

web to corps da c cor nouveaux styles nouvelles techniqu get access corps da c cor nouveaux styles nouvelles techniqu pdf and download corps da c cor nouveaux styles nouvelles techniqu pdf for free

corps décor nouveaux styles nouvelles techniques by ted - May 16 2022

web jun 8 2023 presently from multiple chosen authors acknowledgment for obtaining corps décor nouveaux styles nouvelles techniques by ted polhemus preferably than relishing a superb text with a cup of cha in the morning instead they are facing

with some harmful bugs inside their computer we settle for corps décor nouveaux styles nouvelles
corps da c cor nouveaux styles nouvelles techniqu pdf book - Dec 23 2022

web this corps da c cor nouveaux styles nouvelles techniqu pdf as one of the most vigorous sellers here will completely be in
the course of the best options to review strengthening forensic science in the united states

turc grammaire déclinaison wikiversité - Jul 18 2022

web leçon grammaire turque chap préc les cas grammaticaux chap suiv conjugaison le turc est une langue à suffixe à cas elle
utilise donc des déclinaisons elles sont altérées par les règles de l harmonie vocalique de telle sorte qu il existe 4 formes
possibles faites attention des mutations de consonnes peuvent

corps décor nouveaux styles nouvelles techniques by ted - Feb 10 2022

web corps décor nouveaux styles nouvelles techniques by ted polhemus newsroom apple thorie de la musique danhauser
1889 texte entier facebook log in or sign up fnac informatique smartphones livres jeux vido maty bijoux homme bijou femme
argent or diamant qq kijiji buy sell amp save with canada s 1 local classifieds lomopal trop

corps da c cor nouveaux styles nouvelles techniqu pdf copy - Oct 01 2023

web corps da c cor nouveaux styles nouvelles techniqu pdf upload betty u paterson 2 3 downloaded from support ortax org on
september 13 2023 by betty u paterson Noël François de Wailly 1818 Standard Poor s Register of

corps décor nouveaux styles nouvelles techniques by ted - Apr 14 2022

web sep 11 2023 corps décor nouveaux styles nouvelles techniques by ted polhemus musicme musique gratuite
telechargement mp3 video clips hd maty bijoux homme bijou femme argent or diamant facebook log in or sign up qq mobilier
et dcoration intrieur et exterieur ikea pages perso fermeture sfr baroque wikipedia cours et exercices de

corps da c cor nouveaux styles nouvelles techniqu pdf 2023 - Jan 24 2023

web may 29 2023 corps da c cor nouveaux styles nouvelles techniqu pdf corps da c cor nouveaux styles nouvelles techniqu
pdf is easy to use in our digital library an online entry to it is set as public as a result you can download it instantly our digital
library saves in compound countries allowing you to get the most less latency epoch to download any

corps da c cor nouveaux styles nouvelles techniqu pdf book - Nov 21 2022

web may 26 2023 as this corps da c cor nouveaux styles nouvelles techniqu pdf it ends occurring innate one of the favored
ebook corps da c cor nouveaux styles nouvelles techniqu pdf collections that we have this is why you remain in the best
website to look the unbelievable books to have

Çorap Çeşitleri Çorap modelleri Çorap toptancısı - Aug 19 2022

web Çorap Çeşitleri ayakların dostu olan çoraplar kullanım amacına kıyafet tarzına veya cinsiyete göre farklılık gösterebilir
erkek çoraplarına kıyasla kadın çoraplarında çeşitlilik daha fazladır ten çorap file çorap külotlu çorap babet çorabı soket

çorap diz altı çorap gibi oldukça fazla çeşide sahip bayan çoraplarını her renkte ve her desende bulmak

corps da c cor nouveaux styles nouvelles techniqu copy - Aug 31 2023

web 2 corps da c cor nouveaux styles nouvelles techniqu 2023 04 22 par lui par mr j b robinetcorporations of new jerseyhearings reports and prints of the house committee on banking currency and housingfinancial institutionsmedical lexicon a new dictionary of medical science containing a concise account

corps décor nouveaux styles nouvelles techniques by ted - Jun 16 2022

web corps décor nouveaux styles nouvelles techniques by ted polhemus aujourd'hui un succès grandissant des célébrités du monde entier de britney spears à david jusqu' alors de ces nouvelles orientations ornementales tant d'un point de vue technique que symbolique c'est chose faite aujourd'hui grâce au travail minutieux et éclairé de

les secrets d un coiffeur de stars livre pas cher laurent - Feb 27 2022

web ciseaux luxe et jet set le parcours exceptionnel d'un des plus grands coiffeurs parisiens passé maître dans l'art du chignon on ne compte plus ses créations laurent gaudefroy a cotoyé les plus grandes célébrités et coiffé les têtes couronnées du monde

les secrets d un coiffeur de stars biographies autobiographies - Jan 29 2022

web les secrets d un coiffeur de stars biographies autobiographies gaudefroy laurent on amazon.com au free shipping on eligible orders les secrets d un coiffeur de stars biographies autobiographies

les secrets d un coiffeur de stars format epub - May 01 2022

web téléchargez le livre les secrets d un coiffeur de stars de laurent gaudefroy en ebook au format epub sur vivlio et retrouvez le sur votre liseuse préférée

les secrets d un coiffeur de stars grand format decitre - Apr 12 2023

web oct 5 2016 c'est ce que raconte aujourd'hui celui qui a été le coiffeur et confident des stars pendant des décennies dépositaire d'un savoir faire qui se perd laurent gaudefroy fait revivre un monde aujourd'hui disparu celui des bals et des galas et les codes de la haute société d'avant mai 68

les secrets d un coiffeur de stars goodreads - Mar 11 2023

web les secrets d un coiffeur de stars book read reviews from world's largest community for readers virtuose du chignon il a coiffé durant quarante cinq ans

secrets d un coiffeur de stars les amazon ca - Nov 07 2022

web secrets d un coiffeur de stars le livre broché 17 novembre 2016 édition français de laurent gaudefroy auteur 35 évaluations afficher tous les formats et éditions format kindle 15 99 lire avec notre appli gratuite broché 29 95 2 d'occasion à partir de 53 55 1 neuf s à partir de 29 95

les secrets d un coiffeur de stars google books - Sep 05 2022

web oct 5 2016 la baronne marie hélène de rothschild farah diba romy schneider maria callas jackie kennedy toutes sont passées entre ses mains expertes et certaines sont restées des clientes

les secrets d un coiffeur de stars apple books - Aug 04 2022

web oct 5 2016 virtuose du chignon il a coiffé durant quarante cinq ans le tout paris et les têtes couronnées du monde entier de la reine margrethe du danemark à la princesse grace de monaco ou encore la bégum salimah aga khan ambassadeur du chic français laurent gaudefroy a conquis les stars et la j

les secrets d un coiffeur de stars pdf pdfdrive - Dec 28 2021

web read download pdf les secrets d un coiffeur de stars by laurent gaudefroy update the latest version with high quality try now c est ce que raconte aujourd'hui monsieur laurent le coiffeur des stars dans cette formidable success story

les secrets d un coiffeur de stars hachette fr - Jul 15 2023

web oct 5 2016 virtuose du chignon il a coiffé durant quarante cinq ans le tout paris et les têtes couronnées du monde entier de la reine margrethe du danemark à la princesse grace de monaco ou encore la bégum salimah aga khan

les secrets d un coiffeur de stars gaudefroy - Jul 03 2022

web oct 5 2016 les secrets d un coiffeur de stars gaudefroy laurent on amazon com free shipping on qualifying offers les secrets d un coiffeur de stars

les secrets d un coiffeur de stars overdrive - Jun 02 2022

web oct 5 2016 virtuose du chignon il a coiffé durant quarante cinq ans le tout paris et les têtes couronnées du monde entier de la reine margrethe du danemark à la princesse grace de monaco ou encore la bégum salimah aga khan

les secrets d un coiffeur de stars lecteurs com - Mar 31 2022

web oct 5 2016 c est ce que raconte aujourd'hui celui qui a été le coiffeur et confident des stars pendant des décennies dépositaire d un savoir faire qui se perd laurent gaudefroy fait revivre un monde aujourd'hui disparu celui des bals et des galas et les codes de la haute société d avant mai 68

les secrets d un coiffeur de stars biographies autobiographies - Jun 14 2023

web les secrets d un coiffeur de stars biographies autobiographies gaudefroy laurent amazon com tr

les secrets d un coiffeur de stars amazon fr - Aug 16 2023

web ambassadeur du chic français laurent gaudefroy a conquis les stars et la jet set apportant sa touche glamour aux bals les plus féériques et aux fêtes somptueuses cet artisan du luxe a également participé aux grands défis de la couture de givenchy et

les secrets d un coiffeur de stars by laurent gaudefroy - Feb 10 2023

web les secrets d un coiffeur de stars book read reviews from world s largest community for readers

les secrets d un coiffeur de stars broché fnac belgique - Oct 06 2022

web oct 5 2016 ambassadeur du chic français laurent gaudefroy a conquis les stars et la jet set apportant sa touche glamour aux bals les plus féériques et aux fêtes somptuaires cet artisan du luxe a également participé aux grands défilés couture de givenchy et

les secrets d un coiffeur de stars calmann lévy - May 13 2023

web oct 5 2016 virtuose du chignon il a coiffé durant quarante cinq ans le tout paris et les têtes couronnées du monde entier de la reine margr les secrets d un coiffeur de stars grand format broché 2016 de laurent gaudefroy calmann lévy

les secrets d un coiffeur de stars biographies autobiographies - Jan 09 2023

web les secrets d un coiffeur de stars biographies autobiographies format kindle de laurent gaudefroy auteur format format kindle 3 9 96 évaluations afficher tous les formats et éditions format kindle 9 99 lisez avec notre appli gratuite broché 22 67 4 d occasion à partir de 22 67

les secrets d un coiffeur de stars broché fnac - Dec 08 2022

web oct 5 2016 les secrets d un coiffeur de stars laurent gaudefroy calmann levy des milliers de livres avec la livraison chez vous en 1 jour ou en magasin avec 5 de réduction ou téléchargez la version ebook