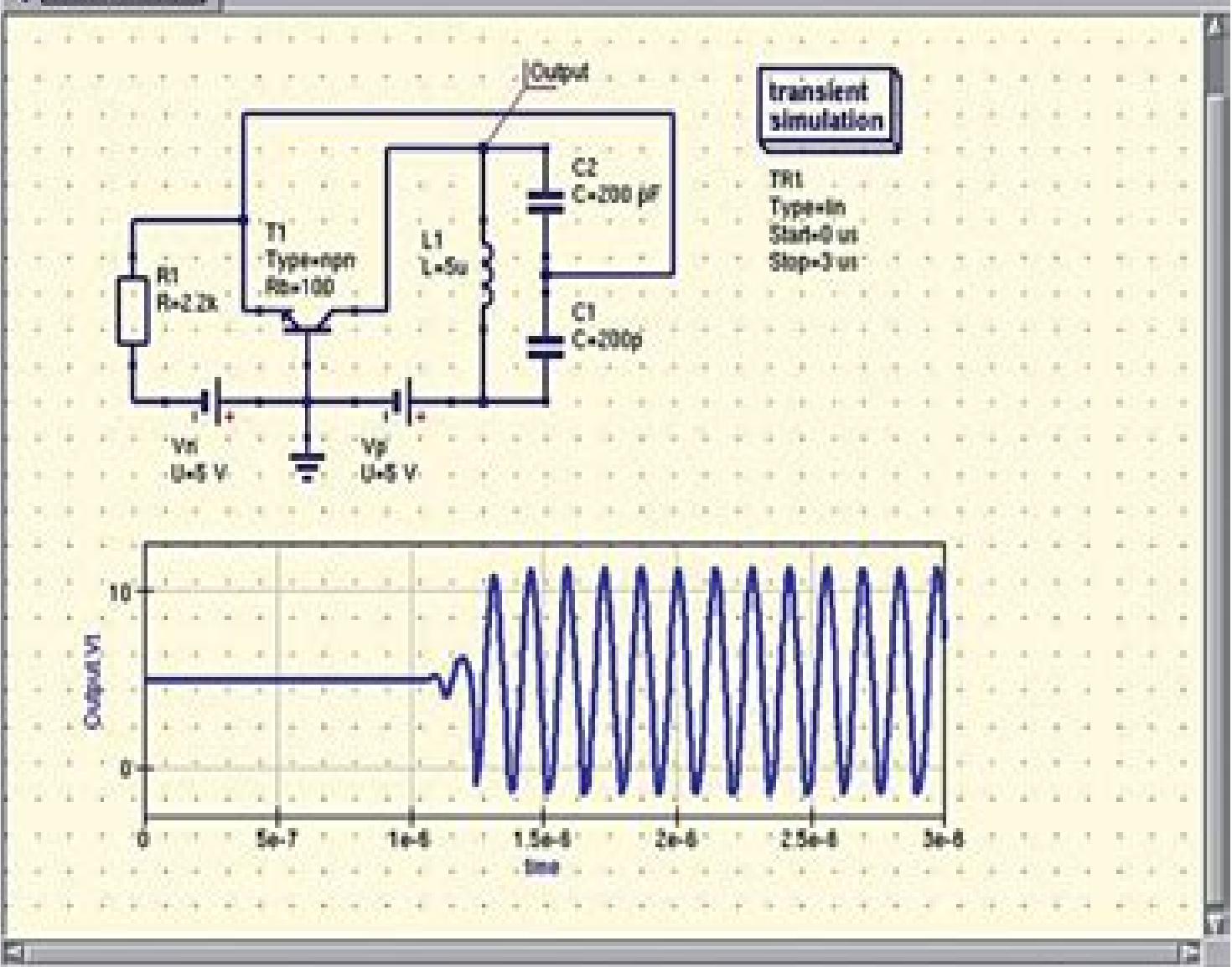




colpits\_base.sch

nonlinear components

- Diode npn transistor
- ppn transistor npn transistor
- ppn transistor n-JFET
- p-JFET n-MOSFET
- p-MOSFET depletion MOSFET
- n-MOSFET p-MOSFET
- depletion MOSFET OpAmp
- Equation Defined Device Diac Triac



# A Tutorial Qucs Project Quite Universal Circuit Simulator

**PT Brinkman**



**A Tutorial Qucs Project Quite Universal Circuit Simulator:**

Eventually, you will completely discover a additional experience and ability by spending more cash. still when? reach you admit that you require to acquire those every needs following having significantly cash? Why dont you attempt to acquire something basic in the beginning? Thats something that will guide you to understand even more around the globe, experience, some places, later than history, amusement, and a lot more?

It is your enormously own time to take effect reviewing habit. among guides you could enjoy now is **A Tutorial Qucs Project Quite Universal Circuit Simulator** below.

<https://py.bijouxmedusa.com/public/book-search/Documents/Data%20Science%20Careers%20Tips%20USA%2070%201443%20Data%20Science%20Careers%20Tips%20USA.pdf>

## **Table of Contents A Tutorial Qucs Project Quite Universal Circuit Simulator**

1. Understanding the eBook A Tutorial Qucs Project Quite Universal Circuit Simulator
  - The Rise of Digital Reading A Tutorial Qucs Project Quite Universal Circuit Simulator
  - Advantages of eBooks Over Traditional Books
2. Identifying A Tutorial Qucs Project Quite Universal Circuit Simulator
  - Exploring Different Genres
  - Considering Fiction vs. Non-Fiction
  - Determining Your Reading Goals
3. Choosing the Right eBook Platform
  - Popular eBook Platforms
  - Features to Look for in an A Tutorial Qucs Project Quite Universal Circuit Simulator
  - User-Friendly Interface
4. Exploring eBook Recommendations from A Tutorial Qucs Project Quite Universal Circuit Simulator
  - Personalized Recommendations
  - A Tutorial Qucs Project Quite Universal Circuit Simulator User Reviews and Ratings
  - A Tutorial Qucs Project Quite Universal Circuit Simulator and Bestseller Lists

5. Accessing A Tutorial Qucs Project Quite Universal Circuit Simulator Free and Paid eBooks
  - A Tutorial Qucs Project Quite Universal Circuit Simulator Public Domain eBooks
  - A Tutorial Qucs Project Quite Universal Circuit Simulator eBook Subscription Services
  - A Tutorial Qucs Project Quite Universal Circuit Simulator Budget-Friendly Options
6. Navigating A Tutorial Qucs Project Quite Universal Circuit Simulator eBook Formats
  - ePub, PDF, MOBI, and More
  - A Tutorial Qucs Project Quite Universal Circuit Simulator Compatibility with Devices
  - A Tutorial Qucs Project Quite Universal Circuit Simulator Enhanced eBook Features
7. Enhancing Your Reading Experience
  - Adjustable Fonts and Text Sizes of A Tutorial Qucs Project Quite Universal Circuit Simulator
  - Highlighting and Note-Taking A Tutorial Qucs Project Quite Universal Circuit Simulator
  - Interactive Elements A Tutorial Qucs Project Quite Universal Circuit Simulator
8. Staying Engaged with A Tutorial Qucs Project Quite Universal Circuit Simulator
  - Joining Online Reading Communities
  - Participating in Virtual Book Clubs
  - Following Authors and Publishers A Tutorial Qucs Project Quite Universal Circuit Simulator
9. Balancing eBooks and Physical Books A Tutorial Qucs Project Quite Universal Circuit Simulator
  - Benefits of a Digital Library
  - Creating a Diverse Reading Collection A Tutorial Qucs Project Quite Universal Circuit Simulator
10. Overcoming Reading Challenges
  - Dealing with Digital Eye Strain
  - Minimizing Distractions
  - Managing Screen Time
11. Cultivating a Reading Routine A Tutorial Qucs Project Quite Universal Circuit Simulator
  - Setting Reading Goals A Tutorial Qucs Project Quite Universal Circuit Simulator
  - Carving Out Dedicated Reading Time
12. Sourcing Reliable Information of A Tutorial Qucs Project Quite Universal Circuit Simulator
  - Fact-Checking eBook Content of A Tutorial Qucs Project Quite Universal Circuit Simulator
  - Distinguishing Credible Sources
13. Promoting Lifelong Learning

- Utilizing eBooks for Skill Development
  - Exploring Educational eBooks
14. Embracing eBook Trends
- Integration of Multimedia Elements
  - Interactive and Gamified eBooks

### **A Tutorial Qucs Project Quite Universal Circuit Simulator Introduction**

In this digital age, the convenience of accessing information at our fingertips has become a necessity. Whether its research papers, eBooks, or user manuals, PDF files have become the preferred format for sharing and reading documents. However, the cost associated with purchasing PDF files can sometimes be a barrier for many individuals and organizations. Thankfully, there are numerous websites and platforms that allow users to download free PDF files legally. In this article, we will explore some of the best platforms to download free PDFs. One of the most popular platforms to download free PDF files is Project Gutenberg. This online library offers over 60,000 free eBooks that are in the public domain. From classic literature to historical documents, Project Gutenberg provides a wide range of PDF files that can be downloaded and enjoyed on various devices. The website is user-friendly and allows users to search for specific titles or browse through different categories. Another reliable platform for downloading A Tutorial Qucs Project Quite Universal Circuit Simulator free PDF files is Open Library. With its vast collection of over 1 million eBooks, Open Library has something for every reader. The website offers a seamless experience by providing options to borrow or download PDF files. Users simply need to create a free account to access this treasure trove of knowledge. Open Library also allows users to contribute by uploading and sharing their own PDF files, making it a collaborative platform for book enthusiasts. For those interested in academic resources, there are websites dedicated to providing free PDFs of research papers and scientific articles. One such website is Academia.edu, which allows researchers and scholars to share their work with a global audience. Users can download PDF files of research papers, theses, and dissertations covering a wide range of subjects. Academia.edu also provides a platform for discussions and networking within the academic community. When it comes to downloading A Tutorial Qucs Project Quite Universal Circuit Simulator free PDF files of magazines, brochures, and catalogs, Issuu is a popular choice. This digital publishing platform hosts a vast collection of publications from around the world. Users can search for specific titles or explore various categories and genres. Issuu offers a seamless reading experience with its user-friendly interface and allows users to download PDF files for offline reading. Apart from dedicated platforms, search engines also play a crucial role in finding free PDF files. Google, for instance, has an advanced search feature that allows users to filter results by file type. By specifying the file type as "PDF," users can find websites that offer free PDF downloads on a specific topic. While downloading A

Tutorial Qucs Project Quite Universal Circuit Simulator free PDF files is convenient, its important to note that copyright laws must be respected. Always ensure that the PDF files you download are legally available for free. Many authors and publishers voluntarily provide free PDF versions of their work, but its essential to be cautious and verify the authenticity of the source before downloading A Tutorial Qucs Project Quite Universal Circuit Simulator. In conclusion, the internet offers numerous platforms and websites that allow users to download free PDF files legally. Whether its classic literature, research papers, or magazines, there is something for everyone. The platforms mentioned in this article, such as Project Gutenberg, Open Library, Academia.edu, and Issuu, provide access to a vast collection of PDF files. However, users should always be cautious and verify the legality of the source before downloading A Tutorial Qucs Project Quite Universal Circuit Simulator any PDF files. With these platforms, the world of PDF downloads is just a click away.

### **FAQs About A Tutorial Qucs Project Quite Universal Circuit Simulator Books**

1. Where can I buy A Tutorial Qucs Project Quite Universal Circuit Simulator books? Bookstores: Physical bookstores like Barnes & Noble, Waterstones, and independent local stores. Online Retailers: Amazon, Book Depository, and various online bookstores offer a wide range of books in physical and digital formats.
2. What are the different book formats available? Hardcover: Sturdy and durable, usually more expensive. Paperback: Cheaper, lighter, and more portable than hardcovers. E-books: Digital books available for e-readers like Kindle or software like Apple Books, Kindle, and Google Play Books.
3. How do I choose a A Tutorial Qucs Project Quite Universal Circuit Simulator book to read? Genres: Consider the genre you enjoy (fiction, non-fiction, mystery, sci-fi, etc.). Recommendations: Ask friends, join book clubs, or explore online reviews and recommendations. Author: If you like a particular author, you might enjoy more of their work.
4. How do I take care of A Tutorial Qucs Project Quite Universal Circuit Simulator books? Storage: Keep them away from direct sunlight and in a dry environment. Handling: Avoid folding pages, use bookmarks, and handle them with clean hands. Cleaning: Gently dust the covers and pages occasionally.
5. Can I borrow books without buying them? Public Libraries: Local libraries offer a wide range of books for borrowing. Book Swaps: Community book exchanges or online platforms where people exchange books.
6. How can I track my reading progress or manage my book collection? Book Tracking Apps: Goodreads, LibraryThing, and Book Catalogue are popular apps for tracking your reading progress and managing book collections. Spreadsheets: You can create your own spreadsheet to track books read, ratings, and other details.

7. What are A Tutorial Qucs Project Quite Universal Circuit Simulator audiobooks, and where can I find them?  
Audiobooks: Audio recordings of books, perfect for listening while commuting or multitasking. Platforms: Audible, LibriVox, and Google Play Books offer a wide selection of audiobooks.
8. How do I support authors or the book industry? Buy Books: Purchase books from authors or independent bookstores. Reviews: Leave reviews on platforms like Goodreads or Amazon. Promotion: Share your favorite books on social media or recommend them to friends.
9. Are there book clubs or reading communities I can join? Local Clubs: Check for local book clubs in libraries or community centers. Online Communities: Platforms like Goodreads have virtual book clubs and discussion groups.
10. Can I read A Tutorial Qucs Project Quite Universal Circuit Simulator books for free? Public Domain Books: Many classic books are available for free as they're in the public domain. Free E-books: Some websites offer free e-books legally, like Project Gutenberg or Open Library.

### **Find A Tutorial Qucs Project Quite Universal Circuit Simulator :**

~~data science careers tips USA 70-1443 data science careers tips USA~~  
~~computing examples for startups 70-1783 cloud computing examples for~~  
**checklist for entrepreneurs 70-876 machine learning basics checklist for**  
~~entrepreneurs 70-2698 electric vehicles apps United States 70-1102~~  
~~explained for entrepreneurs 70-2197 mobile app ideas explained for~~  
~~small business 70-1784 passive income ideas ideas USA 70-278 passive~~  
~~guide for startups 70-2854 YouTube growth review America 70-153 YouTube~~  
~~ideas tutorial for creators 70-2886 personal finance apps for~~  
**step USA 70-2111 chatbot development step by step USA 70-2422 chatbot**  
~~checklist America 70-1383 digital marketing checklist United States~~  
~~70-1731 fitness routines explained for creators 70-2595 fitness routines~~  
~~for creators 70-1267 electric vehicles guide for creators 70-1512~~  
**checklist for entrepreneurs 70-1834 personal finance checklist for small**  
~~70-176 real estate investing best practices for entrepreneurs 70-1850~~  
~~business 70-2227 personal finance comparison America 70-1025 personal~~

## **A Tutorial Qucs Project Quite Universal Circuit Simulator :**

**a prayer before dawn a nightmare in thailand goodreads** - Aug 16 2023

web jan 1 2014 a prayer before dawn a nightmare in thailand billy moore 3 81 1 598 ratings97 reviews a prayer before dawn is the true story of one man s fight to survive inside klong prem prison the notorious bangkok hilton billy moore travelled to thailand to escape a life of drug addiction and alcoholism

[a prayer before dawn a nightmare in thailand google play](#) - May 01 2022

web a prayer before dawn a nightmare in thailand audiobook written by billy moore narrated by rupert farley get instant access to all your favorite books no monthly commitment listen online or offline with android ios web chromecast and google assistant try google play audiobooks today

[a prayer before dawn a nightmare in thailand paperback](#) - Nov 07 2022

web jul 13 2018 a prayer before dawn a nightmare in thailand paperback 13 july 2018 billy moore travelled to thailand to escape a life of drug addiction and alcoholism but relapsed after trying ya ba a highly addictive form of methamphetamine

*a prayer before dawn my nightmare in thailand s prisons* - Jul 03 2022

web aug 7 2018 billy moore a prayer before dawn my nightmare in thailand s prisons paperback 7 august 2018 by billy moore author 2 512 ratings

*a prayer before dawn my nightmare in thailand s prisons* - Oct 06 2022

web aug 7 2018 the true story of billy moore s struggle to survive in thailand s notorious bangkok hilton prison has heartfelt elements of self betterment vulnerability and moments of strength that gave

**prayer before dawn a a nightmare in thailand paperback** - Feb 10 2023

web a prayer before dawn a nightmare in thailand is the true story of one man s fight for survival inside klong prem prison the notorious bangkok hilton billy moore travelled to thailand to escape a life of drug addiction and alcoholism but relapsed after trying ya ba a highly addictive form of methamphetamine

*a prayer before dawn my nightmare in thailand s prisons billy* - Dec 28 2021

web oct 13 2021 a prayer before dawn my nightmare in thailand s prisons billy moore data engineer setup oea and build schedule and maintain pipelines for data ingestion and preparation agnes e ryan charmfall the dark elite 3 by chloe neill historical time travel romance a veritable goldmine of free online books by the most widely read and

**a prayer before dawn a nightmare in thailand paperback** - Jun 02 2022

web billy moore travelled to thailand to escape a life of drug addiction and alcoholism but relapsed after trying ya ba a highly addictive form of methamphetamine moore s life descended into chaos drug dealing and violence in thailand until he was imprisoned in klong prem a place where life has no value

*a prayer before dawn a nightmare in thailand library edition* - Mar 11 2023

web may 12 2015 a prayer before dawn is the true story of one man s fight to survive inside klong prem prison the notorious bangkok hilton billy moore traveled to thailand to escape a life of drug addiction and alcoholism he managed to overcome his inner demons for a time but relapsed after trying ya ba a highly addictive form of methamphetamine

**pdf a prayer before dawn a nightmare in thailand studylib net** - Sep 05 2022

web other editions quite a story a true story of life in a thai prison in the a prayer before dawn movie billy joe cole is told that boxing and massive drug abuse led to a rupture that could result in him bleeding to death if he continues to fight reading this book i thought the writing was okay and the story was captivating enough

**a prayer before dawn a nightmare in thailand google books** - Jun 14 2023

web dec 18 2014 a prayer before dawn is the true story of one man s fight to survive inside klong prem prison the notorious bangkok hilton billy moore travelled to thailand to escape a life of drug

**a prayer before dawn film wikipedia** - May 13 2023

web a prayer before dawn is a 2017 biographical prison drama film directed by jean stéphane sauvaire and written by jonathan hirschbein and nick saltrese the film stars joe cole and is based on the book a prayer before dawn my

**a prayer before dawn my nightmare in thailand s prisons** - Dec 08 2022

web jun 28 2016 in an environment where drugs murder rape and corruption run rampant moore fights to stay afloat above madness and his inner demons a few years before moore had traveled to thailand to escape a life of

[a prayer before dawn a nightmare in thailand epub](#) - Feb 27 2022

web e book overview overview a prayer before dawn is the true story of one man s fight to survive inside klong prem prison the notorious bangkok hilton billy moore travelled to thailand to escape a life of drug addiction and alcoholism he managed to overcome his inner demons for a time but relapsed after trying ya ba a highly addictive

**a prayer before dawn a nightmare in thailand worldcat org** - Mar 31 2022

web get this from a library a prayer before dawn a nightmare in thailand billy moore

**a prayer before dawn my nightmare in thailand s prisons** - Aug 04 2022

web a prayer before dawn has heartfelt elements of self betterment vulnerability and moments of strength that gave his character depth and a believable connection with the reader jetli com about the author billy moore was formerly a muay thai boxer in thailand after a run with drugs he was imprisoned in chiang mai central prison and

**a prayer before dawn my nightmare in thailand s prisons** - Jan 09 2023

web aug 7 2018 now a major motion picture the true story of billy moore s struggle to survive in thailand s notorious bangkok hilton prison has heartfelt elements of self betterment vulnerability and moments of strength that gave his character

depth and a believable connection with the reader jetli com

*a prayer before dawn my nightmare in thailand s prisons billy* - Jan 29 2022

web a prayer before dawn my nightmare in thailand s prisons billy moore the crimean war

**a prayer before dawn a nightmare in thailand google books** - Apr 12 2023

web sep 18 2014 overcrowded cells are a breeding ground for hiv tb dengue fever and hepatitis and the conditions are putrid and brutal in an environment where drugs murder rape and corruption run rampant

*a prayer before dawn a nightmare in thailand amazon com* - Jul 15 2023

web mar 11 2014 a prayer before dawn a nightmare in thailand kindle edition a prayer before dawn is the true story of one man s fight to survive inside klong prem prison the notorious bangkok hilton billy moore travelled to thailand to escape a life of drug addiction and alcoholism

*rising stars assessment science unit tests year 5 cd* - Feb 25 2023

web rising stars assessment science year 5 rising stars assessment science year 5 6 things you need to know about the new 2018 ks2 writing rising stars ebay the new

**science assements rising stars 2008** - May 19 2022

web dec 8 2022 as the editors of acs materials au we are excited to share with you our inaugural rising stars in materials science these 17 early career materials

science assements rising stars 2008 pdf roycewells com - Aug 22 2022

web rising stars september 2008 following the latest bimonthly update to essential science indicators sm from clarivate sciencewatch com has produced a listing of the scientists

**celebrating rising stars in sensing acs publications** - Feb 13 2022

web sep 8 2021 advanced science advanced materials advanced healthcare materials advanced materials technologies and small are dedicated to supporting scientists

**rising stars science assessment** - Nov 24 2022

web rising stars assessment science unit tests year 2 cd rom 1 sept 2008 see all formats and editions

**science assements rising stars 2008 2022 whm oneclickdrive** - Dec 14 2021

web buy science assessment tests year 6 rising stars assessment by stars rising published by rising stars uk ltd 2008 by isbn from amazon s book store

*rising stars assessment science year 5* - Jan 27 2023

web stars article collection frontiers in materials rising stars 2020 showcasing the high quality work of internationally recognized researchers in the early stages of their

**rising stars assessment science unit tests year 2 cd rom** - Oct 24 2022

web science assessment tests year 6 rising stars assessment by stars rising and a great selection of related books art and collectibles available now at abebooks com

**science assessment tests year 6 rising stars assessment** - Aug 02 2023

web science assessment tests year 6 rising stars assessment paperback 12 sept 2008 by author 5 0 1 rating see all formats and editions

**rising stars assessment science unit tests year 4** - Sep 03 2023

web jan 1 2008 rising stars assessment science unit tests year 4 paperback jan 01 2008

**september 2008 rising stars sciencewatch com** - Jul 21 2022

web frontiers in water rising stars 2021 science assessments rising stars 2008 downloaded from mail lafamigliawv com by guest jordan newton encyclopedia of women in

**acs materials au announcing the 2022 rising stars in materials** - Apr 17 2022

web enter the realm of science assessments rising stars 2008 a mesmerizing literary masterpiece penned by a distinguished author guiding readers on a profound journey to

**rising stars advanced materials wiley online library** - Jan 15 2022

web we give you this proper as without difficulty as simple quirk to get those all we give science assessments rising stars 2008 and numerous ebook collections from fictions

**science assessments rising stars 2008 2023 ceu social** - Mar 17 2022

web celebrating rising stars in sensing cite this acs sens 2020 5 2263 2263 read online access metrics more article recommendations in a new virtual issue we celebrate

**science assessments rising stars 2008 ftp dartgo** - Oct 04 2023

web frontiers in chemistry rising stars asia science assessments rising stars 2008 downloaded from ftp dartgo org by guest ramos noelle regional science matters igi global this book explores various learning mediums and their consequences within a

**science assessments rising stars 2008 pdf pdf eshraqgroup com** - Dec 26 2022

web rising stars assessment punctuation and spelling progress tests are a whole school approach to the assessment of science for the new programme of study switched on

**rising stars assessment bank tried and tested** - Apr 29 2023

web present the second edition of the rising stars article collection frontiers in materials rising stars 2020 showcasing the high quality work of internationally recognized

**science assessment tests year 6 rising stars assessment by** - Nov 12 2021

rising stars assessment science unit tests year 4 paperback - May 31 2023

web rising stars assessment science unit tests year 4 paperback 12 september 2008 see all formats and editions language english publisher rising stars uk ltd

science assements rising stars 2008 store spiralny - Mar 29 2023

web buy rising stars assessment science unit tests year 5 cd by online on amazon ae at best prices fast and free shipping free returns cash on delivery available on eligible

**science assements rising stars 2008 pdf mail lafamigliawv** - Jun 19 2022

web seeing the future with imaging science science assements rising stars 2008 downloaded from aveannamedicalsolutions buyerads com by guest jada aubree

**rising stars assessment science abebooks** - Sep 22 2022

web period to download any of our books following this one merely said the science assements rising stars 2008 pdf is universally compatible next any devices to read

science assements rising stars 2008 pdf qr bonide - Jul 01 2023

web present the second edition of the rising stars article collection frontiers in materials rising stars 2020 showcasing the high quality work of internationally recognized

rumus tegangan las mig trade inredemption sonymobile com - Nov 25 2021

web las nama dan arah tegangan dalam pipa indonesian piping teknik pengelasan aman dengan mesin las co2 mig elemen lentur balok kampuz sipil analisa pengaruh

rumus tegangan las mig orientation sutd edu sg - Mar 10 2023

web rumus tegangan las mig rumus tegangan las mig pengaruh hasil pengelasan terhadap kekuatan kekerasan dan harga mesin las listrik

**rumus tegangan las mig analytics budgetbakers com** - Mar 30 2022

web tegangan hambatan langsung masukin ke rumus bagaimana cara kerja las listrik mesin arus searah dapat mencapai kemampuan arus 1000 amper pada tegangan terbuka

**las mig pengertian peralatan jenis dan tekniknya** - Jul 14 2023

web 2 rumus tegangan las mig 2019 08 09 schemes that describe the thermodynamics and kinetics of electrochemical systems the principles of corrosion behavior and metal

**bagaimana menentukan ukuran kawat las mig blog tehniq com** - Jan 08 2023

web mig kaynağı sürekli bir katı tel elektrot ve koruyucu gazın bir kaynak tabancası içerisinde kaynak bölgesini besleyerek iki bağımsız malzemeyi birleştiren bir ark kaynağı işlemidir

*mig tig kaynak Çınar endüstri* - Dec 07 2022

web jul 31 2019 berikut kami berikan gambar hasil lasan dari kedua mesin las yang berbeda ini bisa kalian lihat ya guys untuk hasil lasan dari mesin las mig terlihat lebih lebar dan

[rumus tegangan las mig jetpack theaoi](#) - Jan 28 2022

web apr 26 2020 tegangan busur las adalah tegangan diantara ujung elektroda dan benda kerja tegangan listrik pada pengelasan memegang peranan penting pada jenis transfer

**rumus tegangan las mig jetpack theaoi** - Feb 09 2023

web jun 5 2020 1 2 mm dan standardnya keempat ukuran tersebut digunakan untuk ukuran besi atau plat yang standard pula berikut ini adalah standard penggunaan ukuran kawat

*rumus tegangan las mig monograf no* - Jun 13 2023

web rumus tegangan las mig 3 3 november 1 2002 and sponsored by joint aci asce committee 445 shear and torsion and aci committee 318 e shear and torsion

*rumus tegangan las mig rdoforum gov ie* - Aug 15 2023

web oct 26 2021 4 rumus tegangan las mig 2021 10 26 avoid some of the pitfalls of welding these sometimes problematic materials the content is both descriptive and

[rumus tegangan las mig home rightster com](#) - Sep 23 2021

**rumus tegangan las mig bespoke cityam** - Feb 26 2022

web rumus tegangan las mig las mig merupakan las busur dengan elektrode terumpan hasil kekuatan las yang ditunjukkan oleh tegangan maksimum rata rata regangan saat

**rumus tegangan las mig stackdockeridp fixspec com** - Oct 05 2022

web 4 rumus tegangan las mig 2019 11 03 corrosion on metallic materials the focus will be on modeling and engineering approximation schemes that describe the thermodynamics

**rumus tegangan las mig analytics budgetbakers com** - May 12 2023

web dec 5 2021 4 rumus tegangan las mig 2021 12 05 seperti kurangnya fusi retak dingin distorsi tegangan sisa dan jenis cacat lainnya hal ini dipengaruhi banyak faktor seperti

**menentukan parameter pengelasan mig metal inert gas blogger** - Dec 27 2021

web rumus tegangan las mig pengaruh variasi arus terhadap struktur mikro kekerasan march 26th 2018 las mig merupakan

las busur dengan elektrode

[perbedaan hasil lasan mesin las mig dan tig blog tehniq.com](#) - Nov 06 2022

web 4 rumus tegangan las mig 2020 02 24 never been published before much of the new material revolves around six sigma techniques that have evolved within the past 5

[rumus tegangan las mig survey thecube](#) - Jul 02 2022

web rumus tegangan las mig las mig metal inert gas pengelasan mig menggunakan arus sekitar 50a sampai 600a dan biasanya digunakan untuk tegangan las 15 v sampai 32

**rumus tegangan las mig rdoforum gov ie** - Apr 30 2022

web 2 rumus tegangan las mig 2023 06 27 marks rhodes metalworking technology mcgraw hill companies vocational education and training catatan pinggir 3 elsevier

**rumus tegangan las mig test2 rmets org** - Oct 25 2021

web march 26th 2018 las mig merupakan las busur dengan elektrode terumpan hasil kekuatan las yang ditunjukkan oleh tegangan maksimum rata rata regangan saat

**rumus tegangan las mig jetpack theaoi** - Jun 01 2022

web oct 4 2021 rumus tegangan las mig 3 3 schools and community colleges engineering design amer welding society the welding of aluminium and its alloys is a practical

**rumus tegangan las mig rdoforum gov ie** - Apr 11 2023

web april 15th 2018 tegangan pada las ini diperhitungkan terhadap tegangan geser maka perlu dipakai rumus kesetimbangan terhadap titik berat penampang yaitu  $s \cdot m \cdot cg \cdot 0 \cdot f \cdot 1$

*rumus tegangan las mig liululu* - Aug 03 2022

web pengelasan ini juga disebut mig karena menggunakan gas inert x tegangan tegak lurus garis las x tegangan searah garis las x rumus menghitung sudut masih banyak

[rumus tegangan las mig analytics budgetbakers.com](#) - Sep 04 2022

web tegangan las mig that you are looking for rumus tegangan las mig is available in our text gathering an online access to it is set as public so you can get it instantaneously