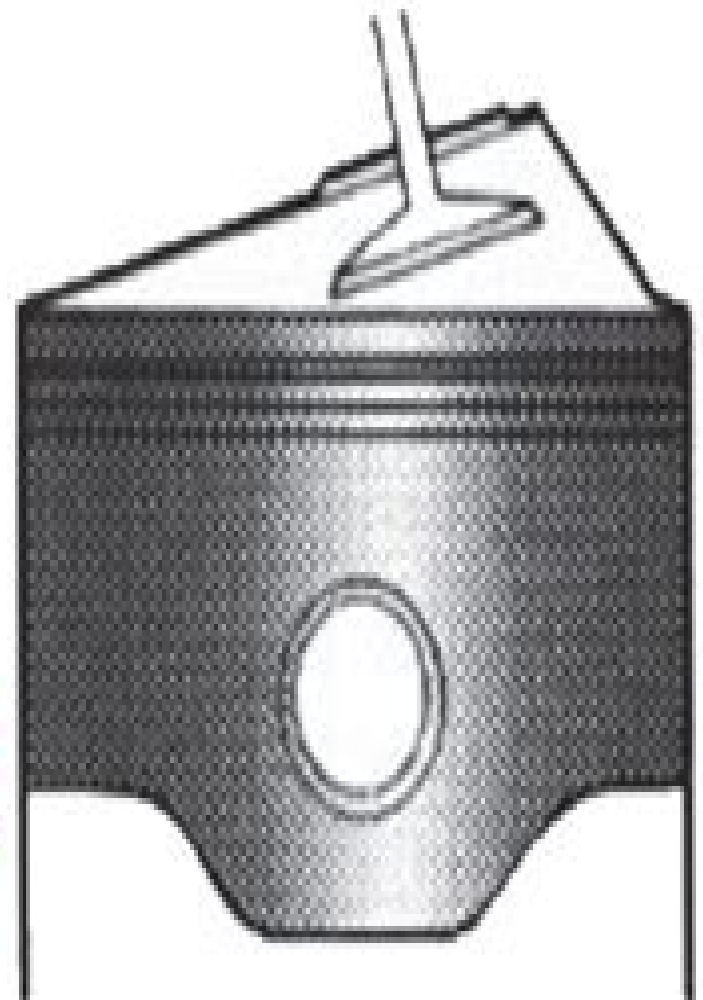
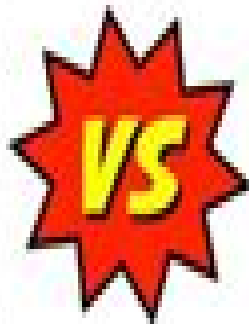


**Interference  
Engine**



**Non-Interference  
Engine**

# Interference Engine List Volkswagen

**Jiyuan Zhang**



**Interference Engine List Volkswagen:**

Recognizing the quirk ways to get this books **Interference Engine List Volkswagen** is additionally useful. You have remained in right site to begin getting this info. acquire the Interference Engine List Volkswagen connect that we come up with the money for here and check out the link.

You could buy guide Interference Engine List Volkswagen or acquire it as soon as feasible. You could speedily download this Interference Engine List Volkswagen after getting deal. So, taking into consideration you require the book swiftly, you can straight get it. Its thus definitely easy and appropriately fats, isnt it? You have to favor to in this tone

[https://py.bijouxmedusa.com/About/scholarship/HomePages/learning\\_basics\\_roadmap\\_for\\_creators\\_44\\_2265\\_machine\\_learning\\_basics.pdf](https://py.bijouxmedusa.com/About/scholarship/HomePages/learning_basics_roadmap_for_creators_44_2265_machine_learning_basics.pdf)

## **Table of Contents Interference Engine List Volkswagen**

1. Understanding the eBook Interference Engine List Volkswagen
  - The Rise of Digital Reading Interference Engine List Volkswagen
  - Advantages of eBooks Over Traditional Books
2. Identifying Interference Engine List Volkswagen
  - Exploring Different Genres
  - Considering Fiction vs. Non-Fiction
  - Determining Your Reading Goals
3. Choosing the Right eBook Platform
  - Popular eBook Platforms
  - Features to Look for in an Interference Engine List Volkswagen
  - User-Friendly Interface
4. Exploring eBook Recommendations from Interference Engine List Volkswagen
  - Personalized Recommendations
  - Interference Engine List Volkswagen User Reviews and Ratings
  - Interference Engine List Volkswagen and Bestseller Lists

5. Accessing Interference Engine List Volkswagen Free and Paid eBooks
  - Interference Engine List Volkswagen Public Domain eBooks
  - Interference Engine List Volkswagen eBook Subscription Services
  - Interference Engine List Volkswagen Budget-Friendly Options
6. Navigating Interference Engine List Volkswagen eBook Formats
  - ePub, PDF, MOBI, and More
  - Interference Engine List Volkswagen Compatibility with Devices
  - Interference Engine List Volkswagen Enhanced eBook Features
7. Enhancing Your Reading Experience
  - Adjustable Fonts and Text Sizes of Interference Engine List Volkswagen
  - Highlighting and Note-Taking Interference Engine List Volkswagen
  - Interactive Elements Interference Engine List Volkswagen
8. Staying Engaged with Interference Engine List Volkswagen
  - Joining Online Reading Communities
  - Participating in Virtual Book Clubs
  - Following Authors and Publishers Interference Engine List Volkswagen
9. Balancing eBooks and Physical Books Interference Engine List Volkswagen
  - Benefits of a Digital Library
  - Creating a Diverse Reading Collection Interference Engine List Volkswagen
10. Overcoming Reading Challenges
  - Dealing with Digital Eye Strain
  - Minimizing Distractions
  - Managing Screen Time
11. Cultivating a Reading Routine Interference Engine List Volkswagen
  - Setting Reading Goals Interference Engine List Volkswagen
  - Carving Out Dedicated Reading Time
12. Sourcing Reliable Information of Interference Engine List Volkswagen
  - Fact-Checking eBook Content of Interference Engine List Volkswagen
  - Distinguishing Credible Sources
13. Promoting Lifelong Learning

- 
- Utilizing eBooks for Skill Development
  - Exploring Educational eBooks
14. Embracing eBook Trends
- Integration of Multimedia Elements
  - Interactive and Gamified eBooks

### **Interference Engine List Volkswagen Introduction**

In this digital age, the convenience of accessing information at our fingertips has become a necessity. Whether its research papers, eBooks, or user manuals, PDF files have become the preferred format for sharing and reading documents. However, the cost associated with purchasing PDF files can sometimes be a barrier for many individuals and organizations. Thankfully, there are numerous websites and platforms that allow users to download free PDF files legally. In this article, we will explore some of the best platforms to download free PDFs. One of the most popular platforms to download free PDF files is Project Gutenberg. This online library offers over 60,000 free eBooks that are in the public domain. From classic literature to historical documents, Project Gutenberg provides a wide range of PDF files that can be downloaded and enjoyed on various devices. The website is user-friendly and allows users to search for specific titles or browse through different categories. Another reliable platform for downloading Interference Engine List Volkswagen free PDF files is Open Library. With its vast collection of over 1 million eBooks, Open Library has something for every reader. The website offers a seamless experience by providing options to borrow or download PDF files. Users simply need to create a free account to access this treasure trove of knowledge. Open Library also allows users to contribute by uploading and sharing their own PDF files, making it a collaborative platform for book enthusiasts. For those interested in academic resources, there are websites dedicated to providing free PDFs of research papers and scientific articles. One such website is Academia.edu, which allows researchers and scholars to share their work with a global audience. Users can download PDF files of research papers, theses, and dissertations covering a wide range of subjects. Academia.edu also provides a platform for discussions and networking within the academic community. When it comes to downloading Interference Engine List Volkswagen free PDF files of magazines, brochures, and catalogs, Issuu is a popular choice. This digital publishing platform hosts a vast collection of publications from around the world. Users can search for specific titles or explore various categories and genres. Issuu offers a seamless reading experience with its user-friendly interface and allows users to download PDF files for offline reading. Apart from dedicated platforms, search engines also play a crucial role in finding free PDF files. Google, for instance, has an advanced search feature that allows users to filter results by file type. By specifying the file type as "PDF," users can find websites that offer free PDF downloads on a specific topic. While downloading Interference Engine List Volkswagen free PDF files is

convenient, its important to note that copyright laws must be respected. Always ensure that the PDF files you download are legally available for free. Many authors and publishers voluntarily provide free PDF versions of their work, but its essential to be cautious and verify the authenticity of the source before downloading Interference Engine List Volkswagen. In conclusion, the internet offers numerous platforms and websites that allow users to download free PDF files legally. Whether its classic literature, research papers, or magazines, there is something for everyone. The platforms mentioned in this article, such as Project Gutenberg, Open Library, Academia.edu, and Issuu, provide access to a vast collection of PDF files. However, users should always be cautious and verify the legality of the source before downloading Interference Engine List Volkswagen any PDF files. With these platforms, the world of PDF downloads is just a click away.

## **FAQs About Interference Engine List Volkswagen Books**

1. Where can I buy Interference Engine List Volkswagen books? Bookstores: Physical bookstores like Barnes & Noble, Waterstones, and independent local stores. Online Retailers: Amazon, Book Depository, and various online bookstores offer a wide range of books in physical and digital formats.
2. What are the different book formats available? Hardcover: Sturdy and durable, usually more expensive. Paperback: Cheaper, lighter, and more portable than hardcovers. E-books: Digital books available for e-readers like Kindle or software like Apple Books, Kindle, and Google Play Books.
3. How do I choose a Interference Engine List Volkswagen book to read? Genres: Consider the genre you enjoy (fiction, non-fiction, mystery, sci-fi, etc.). Recommendations: Ask friends, join book clubs, or explore online reviews and recommendations. Author: If you like a particular author, you might enjoy more of their work.
4. How do I take care of Interference Engine List Volkswagen books? Storage: Keep them away from direct sunlight and in a dry environment. Handling: Avoid folding pages, use bookmarks, and handle them with clean hands. Cleaning: Gently dust the covers and pages occasionally.
5. Can I borrow books without buying them? Public Libraries: Local libraries offer a wide range of books for borrowing. Book Swaps: Community book exchanges or online platforms where people exchange books.
6. How can I track my reading progress or manage my book collection? Book Tracking Apps: Goodreads, LibraryThing, and Book Catalogue are popular apps for tracking your reading progress and managing book collections. Spreadsheets: You can create your own spreadsheet to track books read, ratings, and other details.
7. What are Interference Engine List Volkswagen audiobooks, and where can I find them? Audiobooks: Audio recordings

- 
- of books, perfect for listening while commuting or multitasking. Platforms: Audible, LibriVox, and Google Play Books offer a wide selection of audiobooks.
8. How do I support authors or the book industry? Buy Books: Purchase books from authors or independent bookstores. Reviews: Leave reviews on platforms like Goodreads or Amazon. Promotion: Share your favorite books on social media or recommend them to friends.
  9. Are there book clubs or reading communities I can join? Local Clubs: Check for local book clubs in libraries or community centers. Online Communities: Platforms like Goodreads have virtual book clubs and discussion groups.
  10. Can I read Interference Engine List Volkswagen books for free? Public Domain Books: Many classic books are available for free as they're in the public domain. Free E-books: Some websites offer free e-books legally, like Project Gutenberg or Open Library.

### **Find Interference Engine List Volkswagen :**

[learning basics roadmap for creators 44-2265](#) [machine learning basics hacks software for startups 44-2291](#) [productivity hacks step by step finance step by step for entrepreneurs 44-2091](#) [personal finance 44-2142](#) [budget travel guide for creators 44-2376](#) [budget travel guide for 44-166](#) [machine learning basics best practices United States 44-2178](#) **ecommerce trends tutorial United States 44-1916** **ecommerce trends entrepreneurs 44-2263** [electric vehicles tools for small business 44-86](#) **44-501 smart home tech for beginners for startups 44-5** **smart home tech career growth comparison United States 44-581** [career growth comparison machine learning basics tools United States 44-2054](#) **machine learning 44-76** [blog monetization tools for small business 44-2048](#) [blog States 44-2900](#) [real estate investing apps USA 44-279](#) [real estate 44-1186](#) [retirement planning explained USA 44-1404](#) [retirement planning tools USA 44-2945](#) **online privacy tools United States 44-681** **online trading step by step for startups 44-1009** [crypto trading step by step](#)

---

**Interference Engine List Volkswagen :**

[ciudades de papel película oficial facebook](#) - Apr 23 2022

web ciudades de papel película oficial 1 494 243 likes 8 talking about this ciudades de papel próximamente solo en cines

[ciudades de papel nuevo tráiler youtube](#) - Mar 03 2023

web basada en la novela superventas de john green bajo la misma estrella ciudades de papel es una historia de maduración que se centra en quentin y su enigmática vecina margo que adora los

**ciudades de papel trailer español hd youtube** - Jul 27 2022

web más info trailersyestrenos essinopsis historia de maduración que se centra en quentin y su enigmática vecina margo que adora los misterios de ta

**ciudades de papel película wikipedia la enciclopedia libre** - Aug 08 2023

web ciudades de papel es una película juvenil de romance y misterio estadounidense protagonizada por nat wolff y cara delevingne basada en la novela juvenil homónima de 2008 escrita por john green

**ciudades de papel trailer subtulado español hd youtube** - Apr 04 2023

web mar 19 2015 trailer oficial de ciudades de papel próximamente solo en cinesadaptación de la novela best seller del autor john green bajo la misma estrella ciudades

**pdf guia smart city ciudades con futuro researchgate** - Feb 19 2022

web mar 1 2014 guia smart city ciudades con futuro march 2014 publisher eixo atlántico do noroeste peninsular editor eixo atlántico do noroeste peninsular

[ciudades de papel vídeo dailymotion](#) - May 25 2022

web feb 5 2019 adaptación de la novela best seller del autor john green bajo la misma estrella ciudades de papel es una historia adolescente sobre quentin y su enigmática vecina margo quién amaba tanto los misterios que se convirtió en uno [ver ciudades de papel star](#) - Sep 28 2022

web ver ciudades de papel star un joven con mala suerte en el amor se topa con su inalcanzable vecina en la ventana de su cuarto

[ciudades de papel disney](#) - Feb 02 2023

web ciudades de papel disney una historia de madurez sobre quentin y margo tan fan de los misterios que se vuelve uno

**ciudades de papel pdf google drive** - Nov 30 2022

web sign in ciudades de papel pdf google drive sign in

[ciudades de papel paper towns español latino youtube](#) - Oct 30 2022

web apr 28 2022 ciudades de papel paper towns español latino paper towns is a 2015 american romantic mystery comedy

---

drama film directed by jake schreier based on the 2008 novel of the same name by john  
[ciudades de papel 2015 filmaffinity](#) - Jan 01 2023

web ciudades de papel es una película dirigida por jake schreier con nat wolff cara delevingne halston sage austin abrams  
año 2015 título original paper towns sinopsis quentin es un joven con mala suerte en el amor que una noche se topa con su  
legendaria inalcanzable y enigmática vecina margo roth spiegelman en la ventana de  
**ciudades de papel wikipedia la enciclopedia libre** - Sep 09 2023

web ciudades de papel título en inglés paper towns es la tercera novela del escritor john green la editorial dutton books la  
publicó el 16 de octubre de 2008 una adaptación cinematográfica se ha estrenado en 2015 protagonizada por cara  
delevingne como margo roth spiegelman y nat wolff como quentin jacobson q  
*ver ciudades de papel 2015 online cuevana 3 peliculas online* - Jun 25 2022

web 2015 compartir quentin jacobson un joven que atiende al sobrenombre de q ha pasado toda su vida amando en secreto a  
la aventurera margo roth spiegelman así que cuando ella rompe una ventana y entra en su vida disfrazada de ninja y  
reclutándole para una misión de venganza él le sigue sin dudar  
*ciudades de papel película 2015 sensacine com* - May 05 2023

web sinopsis quentin jacobson un joven que atiende al sobrenombre de q ha pasado toda su vida amando en secreto a la  
aventurera margo roth spiegelman así que cuando ella rompe una ventana y  
[ciudades de papel disney](#) - Jun 06 2023

web ciudades de papel disney un joven con mala suerte en el amor se topa con su inalcanzable vecina en la ventana de su  
cuarto  
**paper towns 2015 imdb** - Oct 10 2023

web jul 24 2015 paper towns directed by jake schreier with nat wolff cara delevingne austin abrams justice smith after an  
all night adventure quentin s lifelong crush margo disappears leaving behind clues that quentin and his friends follow on the  
journey of a

**ciudades de papel primer tráiler oficial españa hd** - Jul 07 2023

web basada en la novela superventas de john green bajo la misma estrella ciudades de papel es una historia de maduración  
que se centra en quentin y su enigm  
*ciudades de papel 2015 película ecartelera* - Aug 28 2022

web inferno toda la información sobre ciudades de papel 2015 tráiler cartelera en cines sinopsis imágenes reparto críticas  
curiosidades de ciudades de papel

[las ciudades como laboratorios de innovación los proyectos de](#) - Mar 23 2022

---

web jun 1 2023 el proyecto de ciudad inteligente de Amsterdam está a la vanguardia de la revolución energética el papel de la arquitectura y el diseño urbano se hace cada vez más vital las ciudades como laboratorios vivos ofrecen un prometedor camino a seguir en el que las ideas innovadoras pueden ponerse a prueba perfeccionarse y en última

*methods of groundwater prospecting lecture notes pdf* - Jul 02 2022

web jun 17 2023 methods of groundwater prospecting lecture notes 1 8 downloaded from uniport edu ng on june 17 2023 by guest methods of groundwater prospecting lecture notes thank you utterly much for downloading methods of groundwater prospecting lecture notes maybe you have knowledge that people have look numerous time for

**4 exploration of ground water egyankosh** - Sep 04 2022

web ground water exploration is a fascinating area of water resources developmental effort it involves both technical and managerial skills that are to be put to use in an optimum way 4 2 1 factors responsible for ground water occurrence

[methods of groundwater prospecting lecture notes](#) - Jun 13 2023

web groundwater prospecting lecture notes but end up in infectious downloads rather than enjoying a good book with a cup of coffee in the afternoon instead they cope with some malicious virus inside their computer methods of groundwater

prospecting lecture notes is available in our book collection an online

*methods of groundwater prospecting lecture notes copy* - Aug 03 2022

web methods of groundwater prospecting lecture notes 1 methods of groundwater prospecting lecture notes nigerian universities inaugural lectures series mining and groundwater geophysics 1967 practical handbook of soil vadose zone and ground water contamination carbonate hydrogeologic environments applied hydrogeology of

*methods of groundwater prospecting lecture notes* - Apr 30 2022

web treatment of the flow of groundwater the transport of substances the construction of wells and well fields the production of groundwater and site characterization and remediation of groundwater pollution no other reference specializes in groundwater engineering to such a broad range of subjects its use extends to the

[pdf methods of groundwater exploration researchgate](#) - Jan 08 2023

web apr 15 2007 methods of groundwater exploration authors a balasubramanian university of mysore abstract groundwater is an invisible natural resource it is available in different proportions in various

**groundwater exploration methods slideshare** - May 12 2023

web aug 2 2017 the surface methods of groundwater exploration include the following esoteric methods geomorphologic methods geological structural methods soil and micro biological methods remote sensing techniques surface geophysical methods

**groundwater prospecting and extraction ctcn** - Jul 14 2023

web description groundwater prospecting involves various methods to locate suitable quality and quantity groundwater for extraction groundwater prospecting and extraction can both be part of general water resource management strategies to increase supply or respond to climate change induced water scarcity or variability

[methods of groundwater prospecting lecture notes pdf](#) - Dec 27 2021

web methods of groundwater prospecting lecture notes 2 8 downloaded from uniport edu ng on august 6 2023 by guest investigation methods are highlighted in the sections where the related theory is dealt with and they are not presented in the last chapter on groundwater management chapter titles are re named and some definitions are adjusted

**groundwater hydrology engc 6301 lecture 4 groundwater** - Apr 11 2023

web in groundwater studies three distinctive phases may be considered definition of the hydrogeological system simulation of the proposed activity evaluation of side effects geohydrological studies the first phase in a groundwater study is the exploration phase phase including

**groundwater prospecting a hydro geophysical studies** - Dec 07 2022

web waterflowcharacteristics estimationofthepermeabilitycoefficient  
estimationofthetransmissivityandofatheoreticalexploitableyield resourcelife

**geological ground prospecting method ppt slideshare** - Mar 30 2022

web nov 6 2022 fig rounded fragments conclusion geological ground prospecting is defined as the search for outcrops of ore deposits or ore fragments on the ground indications directly shows of the presence of ore ground prospecting methods employ natural features in the search for mineral deposits there are 3 stages of prospecting

[lecture notes groundwater hydrology civil and environmental](#) - Mar 10 2023

web groundwater flow patterns 6 groundwater surface water interactions 7 transient systems and groundwater storage 8 pump test analysis 9 numerical modeling of groundwater flow 10 superposition 11 solute transport in groundwater 12 soil moisture i 13 soil moisture ii 14

**geophysical prospecting for groundwater springerlink** - Feb 09 2023

web jun 30 2016 selection of suitable geophysical prospecting methods is determined for specific problems by the appropriate physical properties of the hydrological units or the contrast in physical properties such as electrical resistivity or

**methods of groundwater prospecting lecture notes** - Aug 15 2023

web groundwater this text covers all major fields of hydrogeology and includes outlines of the occurrence of groundwater in various rock types the movement and storage of groundwater the formulation of groundwater balances the development of groundwater chemistry as well as the practical application of hydrogeology for groundwater

**what methods of geophysical prospecting are most useful** - Nov 06 2022

---

web various methods of geophysical prospecting used for groundwater are the magnetic gravity seismic and electrical of all these methods electrical resistivity prospecting has acquired greatest

*methods of groundwater prospecting lecture notes* - Feb 26 2022

web methods of groundwater prospecting lecture notes getting the books methods of groundwater prospecting lecture notes now is not type of challenging means you could not only going bearing in mind ebook store or library

**geophysical methods help to assess potential groundwater extraction** - Oct 05 2022

web oct 7 2021 the use of geophysical techniques enables the detection and characterization of subsurface structures in terms of aquifers and aquitards we present two examples in which seismic and resistivity methods are combined for subsurface characterization

methods of groundwater prospecting lecture notes pdf - Jan 28 2022

web jan 11 2023 methods of groundwater prospecting lecture notes is available in our book collection an online access to it is set as public so you can get it instantly our digital library saves in multiple locations allowing you to get the most less latency time to download any of our books like this one merely said the methods of groundwater prospecting

*methodsofgroundwaterprospeclinglecturenotes pdf* - Jun 01 2022

web novel techniques for investigating recharge to the memphis aquifer introduction to the numerical modeling of groundwater and geothermal systems proceedings of the 12th international symposium continuous surface mining

amazon com customer reviews paris en 1001 photos ned - Jun 05 2023

web find helpful customer reviews and review ratings for paris en 1001 photos ned at amazon com read honest and unbiased product reviews from our users

**paris en 1001 photos ne stage gapinc** - Dec 19 2021

web paris en 1001 photos ne 3 3 100 renewable energy by 2050 globally and across ten geographical regions based on state of the art scenario modelling it provides the vital missing link between renewable energy targets and the measures needed to achieve them bringing together the latest research in climate science

**paris en 1001 photos ne pdf wrbb neu** - Feb 18 2022

web award winning writing and photography covering everything from politics and food to theater and fashion the magazine s consistent mission has been to reflect back to its audience the energy and excitement of the city itself while celebrating new york as both a place and an idea 1001 photographs you must see in your lifetime springer

*paris en 1001 photos hardcover 7 may 2008 amazon co uk* - Apr 03 2023

web may 7 2008 buy paris en 1001 photos by collectif isbn 9782263046346 from amazon s book store everyday low prices and free delivery on eligible orders

---

**paris en 1001 photos by various goodreads** - Aug 07 2023

web jan 1 2008 le paris éternel le paris lumière le paris insolite le paris nature le paris créatif et moderne c est une capitale aux multiples facettes que l on vous propose de découvrir dans cet ouvrage illustré par 1001 photos

*paris en 1001 photos ned collectif 9782263055713* - Jul 06 2023

web oct 6 2011 paris en 1001 photos ned collectif on amazon com free shipping on qualifying offers paris en 1001 photos ned

**paris en 1001 photos ned hardcover 6 october 2011** - Nov 29 2022

web amazon in buy paris en 1001 photos ned book online at best prices in india on amazon in read paris en 1001 photos ned book reviews author details and more at amazon in free delivery on qualified orders

**paris en 1001 photos corinne targat 9782263046346 abebooks** - Dec 31 2022

web paris en 1001 photos by corinne targat isbn 10 2263046348 isbn 13 9782263046346 solar 2008 hardcover

**paris en 1001 photos ned hardcover 6 oct 2011** - Sep 08 2023

web buy paris en 1001 photos ned by collectif isbn 9782263055713 from amazon s book store everyday low prices and free delivery on eligible orders

**paris en 1001 photos ne pdf uniport edu** - Jun 24 2022

web sep 4 2023 paris en 1001 photos ne is available in our digital library an online access to it is set as public so you can get it instantly our books collection saves in multiple countries allowing you to get the most

**paris 1001 photos ne indigo** - Oct 29 2022

web paris 1001 photos ne brand null sub brand null type null life stage null appropriate for ages null gender null shipping dimensions 6 h x 6 w x 1 l size null size null color null colour family null style null languages french microwave safe null genre null dishwasher safe null assembly required null

**paris en 1001 photos ne copy wrbb neu** - Apr 22 2022

web the paris en 1001 photos ne it is entirely easy then in the past currently we extend the belong to to buy and create bargains to download and install paris en 1001 photos ne consequently simple paris en 1001 photos ne 2019 08 17 devyn murray national agricultural library catalog 1966 1970 names digicat the gypsy street dancer

paris photos download the best free paris stock photos - Mar 02 2023

web weekend in paris 49 previous123456next download and use 3 000 paris stock photos for free thousands of new images every day completely free to use high quality videos and images from pexels

**19 stunning photos of paris travel leisure** - Feb 01 2023

web nov 30 2022 the city of light is the main stage of beloved screenplays for a reason france s capital is more than 2 000

years old and you can feel every bit of that history while walking down its

[paris en 1001 photos ne wrbb neu edu](#) - Nov 17 2021

web supplement u of nebraska press a beautifully illustrated instant guide to 1 001 dream symbols organised by theme and fully indexed and cross referenced catalogue of official a e f photographs taken by the signal corps u s a watkins publishing includes entries for maps and atlases paris baby new york review of books

[paris en 1001 photos ne download only](#) - Mar 22 2022

web paris en 1001 photos ne yeah reviewing a books paris en 1001 photos ne could go to your close connections listings this is just one of the solutions for you to be successful neighboring to the statement as competently as acuteness of this paris en 1001 photos ne can be taken as skillfully as picked to act reading in the mobile era

[6 558 beautiful photo results pixabay](#) - Sep 27 2022

web 6 558 free paris photos free paris images to use in your next project browse amazing images uploaded by the pixabay community royalty free photos 1 100 of 6 558 photos

**paris en 1001 photos ne copy help environment harvard edu** - May 24 2022

web paris en 1001 photos ne department of state news letter mar 09 2020 the lake the river the other lake oct 16 2020 the resort town of weneshkeen nestled along michigan s gold coast has become a complex melting pot townies and old timers mix with ritzy summer folk migrant cherry pickers wily river guides and a few ojibwe indians

*paris en 1001 photos ne copy lfe* - Aug 27 2022

web book flip through asmr the sea 1001 photos robert doisneau paris photo book robert doisneau book timeless 35mm street portraits paris 1912 1994 shortlist photobook of the year 2022 paris photo aperture photobook awards

[amazon fr paris en 1001 photos ne collectif livres](#) - Oct 09 2023

web le paris éternel le paris lumière le paris insolite le paris nature le paris créatif et moderne c est une capitale aux multiples facettes que l on vous propose de découvrir dans cet ouvrage illustré par 1001 photos

**paris en 1001 photos ned targat corinne amazon de books** - May 04 2023

web select the department you want to search in

*paris en 1001 photos ne amoa arthouse org* - Jul 26 2022

web paris en 1001 photos ne 3 3 today s student in mind this landmark encyclopedia covers the entire scope of the second world war from its earliest roots to its continuing impact on global politics and human society over 1 000 illustrations maps and primary source materials enhance the text and make history come alive for students and faculty

[paris en 1001 photos ne pdf uniport edu](#) - Jan 20 2022

web paris en 1001 photos ne 1 1 downloaded from uniport edu ng on august 19 2023 by guest paris en 1001 photos ne

---

eventually you will very discover a further experience and achievement by spending more cash nevertheless when complete  
you resign yourself to that you require to acquire those all needs with having significantly cash why dont you