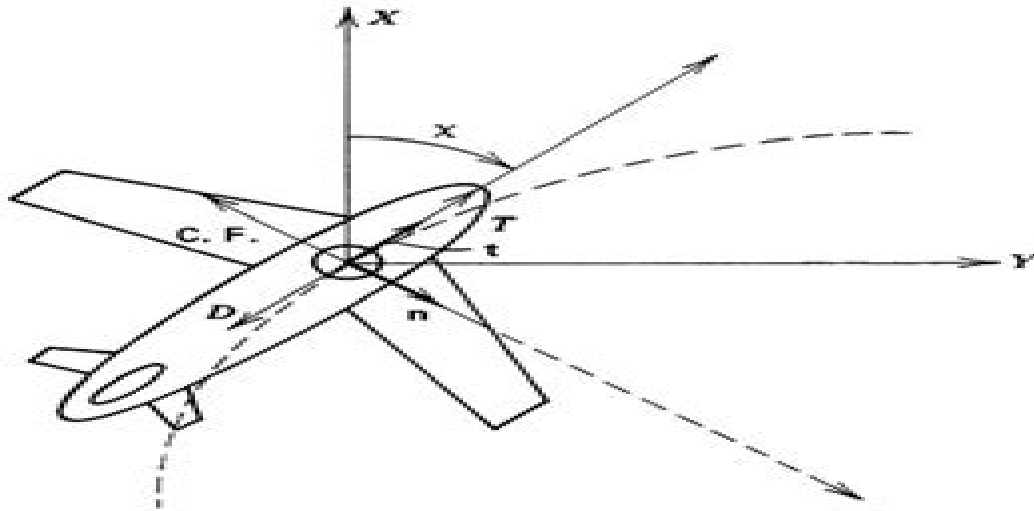


# Introduction to Aircraft Performance, Selection, and Design



**Francis J. Hale**

# Introduction To Aircraft Performance Selection And Design

**Christian G. Meyer**



## **Introduction To Aircraft Performance Selection And Design:**

If you are craving such a referred **Introduction To Aircraft Performance Selection And Design** book that will give you worth, acquire the extremely best seller from us currently from several preferred authors. If you want to funny books, lots of novels, tale, jokes, and more fictions collections are then launched, from best seller to one of the most current released.

You may not be perplexed to enjoy every books collections Introduction To Aircraft Performance Selection And Design that we will completely offer. It is not with reference to the costs. Its not quite what you obsession currently. This Introduction To Aircraft Performance Selection And Design, as one of the most on the go sellers here will unconditionally be along with the best options to review.

[https://py.bijouxmedusa.com/About/Resources/index.jsp/International\\_Journal\\_Of\\_Mathematics\\_Trends\\_And\\_Technology.pdf](https://py.bijouxmedusa.com/About/Resources/index.jsp/International_Journal_Of_Mathematics_Trends_And_Technology.pdf)

## **Table of Contents Introduction To Aircraft Performance Selection And Design**

1. Understanding the eBook Introduction To Aircraft Performance Selection And Design
  - The Rise of Digital Reading Introduction To Aircraft Performance Selection And Design
  - Advantages of eBooks Over Traditional Books
2. Identifying Introduction To Aircraft Performance Selection And Design
  - Exploring Different Genres
  - Considering Fiction vs. Non-Fiction
  - Determining Your Reading Goals
3. Choosing the Right eBook Platform
  - Popular eBook Platforms
  - Features to Look for in an Introduction To Aircraft Performance Selection And Design
  - User-Friendly Interface
4. Exploring eBook Recommendations from Introduction To Aircraft Performance Selection And Design
  - Personalized Recommendations
  - Introduction To Aircraft Performance Selection And Design User Reviews and Ratings
  - Introduction To Aircraft Performance Selection And Design and Bestseller Lists

5. Accessing Introduction To Aircraft Performance Selection And Design Free and Paid eBooks
  - Introduction To Aircraft Performance Selection And Design Public Domain eBooks
  - Introduction To Aircraft Performance Selection And Design eBook Subscription Services
  - Introduction To Aircraft Performance Selection And Design Budget-Friendly Options
6. Navigating Introduction To Aircraft Performance Selection And Design eBook Formats
  - ePub, PDF, MOBI, and More
  - Introduction To Aircraft Performance Selection And Design Compatibility with Devices
  - Introduction To Aircraft Performance Selection And Design Enhanced eBook Features
7. Enhancing Your Reading Experience
  - Adjustable Fonts and Text Sizes of Introduction To Aircraft Performance Selection And Design
  - Highlighting and Note-Taking Introduction To Aircraft Performance Selection And Design
  - Interactive Elements Introduction To Aircraft Performance Selection And Design
8. Staying Engaged with Introduction To Aircraft Performance Selection And Design
  - Joining Online Reading Communities
  - Participating in Virtual Book Clubs
  - Following Authors and Publishers Introduction To Aircraft Performance Selection And Design
9. Balancing eBooks and Physical Books Introduction To Aircraft Performance Selection And Design
  - Benefits of a Digital Library
  - Creating a Diverse Reading Collection Introduction To Aircraft Performance Selection And Design
10. Overcoming Reading Challenges
  - Dealing with Digital Eye Strain
  - Minimizing Distractions
  - Managing Screen Time
11. Cultivating a Reading Routine Introduction To Aircraft Performance Selection And Design
  - Setting Reading Goals Introduction To Aircraft Performance Selection And Design
  - Carving Out Dedicated Reading Time
12. Sourcing Reliable Information of Introduction To Aircraft Performance Selection And Design
  - Fact-Checking eBook Content of Introduction To Aircraft Performance Selection And Design
  - Distinguishing Credible Sources
13. Promoting Lifelong Learning

- Utilizing eBooks for Skill Development
  - Exploring Educational eBooks
14. Embracing eBook Trends
- Integration of Multimedia Elements
  - Interactive and Gamified eBooks

### **Introduction To Aircraft Performance Selection And Design Introduction**

Free PDF Books and Manuals for Download: Unlocking Knowledge at Your Fingertips In today's fast-paced digital age, obtaining valuable knowledge has become easier than ever. Thanks to the internet, a vast array of books and manuals are now available for free download in PDF format. Whether you are a student, professional, or simply an avid reader, this treasure trove of downloadable resources offers a wealth of information, conveniently accessible anytime, anywhere. The advent of online libraries and platforms dedicated to sharing knowledge has revolutionized the way we consume information. No longer confined to physical libraries or bookstores, readers can now access an extensive collection of digital books and manuals with just a few clicks. These resources, available in PDF, Microsoft Word, and PowerPoint formats, cater to a wide range of interests, including literature, technology, science, history, and much more. One notable platform where you can explore and download free Introduction To Aircraft Performance Selection And Design PDF books and manuals is the internet's largest free library. Hosted online, this catalog compiles a vast assortment of documents, making it a veritable goldmine of knowledge. With its easy-to-use website interface and customizable PDF generator, this platform offers a user-friendly experience, allowing individuals to effortlessly navigate and access the information they seek. The availability of free PDF books and manuals on this platform demonstrates its commitment to democratizing education and empowering individuals with the tools needed to succeed in their chosen fields. It allows anyone, regardless of their background or financial limitations, to expand their horizons and gain insights from experts in various disciplines. One of the most significant advantages of downloading PDF books and manuals lies in their portability. Unlike physical copies, digital books can be stored and carried on a single device, such as a tablet or smartphone, saving valuable space and weight. This convenience makes it possible for readers to have their entire library at their fingertips, whether they are commuting, traveling, or simply enjoying a lazy afternoon at home. Additionally, digital files are easily searchable, enabling readers to locate specific information within seconds. With a few keystrokes, users can search for keywords, topics, or phrases, making research and finding relevant information a breeze. This efficiency saves time and effort, streamlining the learning process and allowing individuals to focus on extracting the information they need. Furthermore, the availability of free PDF books and manuals fosters a culture of continuous learning. By removing financial barriers, more people can access educational

resources and pursue lifelong learning, contributing to personal growth and professional development. This democratization of knowledge promotes intellectual curiosity and empowers individuals to become lifelong learners, promoting progress and innovation in various fields. It is worth noting that while accessing free Introduction To Aircraft Performance Selection And Design PDF books and manuals is convenient and cost-effective, it is vital to respect copyright laws and intellectual property rights. Platforms offering free downloads often operate within legal boundaries, ensuring that the materials they provide are either in the public domain or authorized for distribution. By adhering to copyright laws, users can enjoy the benefits of free access to knowledge while supporting the authors and publishers who make these resources available. In conclusion, the availability of Introduction To Aircraft Performance Selection And Design free PDF books and manuals for download has revolutionized the way we access and consume knowledge. With just a few clicks, individuals can explore a vast collection of resources across different disciplines, all free of charge. This accessibility empowers individuals to become lifelong learners, contributing to personal growth, professional development, and the advancement of society as a whole. So why not unlock a world of knowledge today? Start exploring the vast sea of free PDF books and manuals waiting to be discovered right at your fingertips.

### **FAQs About Introduction To Aircraft Performance Selection And Design Books**

How do I know which eBook platform is the best for me? Finding the best eBook platform depends on your reading preferences and device compatibility. Research different platforms, read user reviews, and explore their features before making a choice. Are free eBooks of good quality? Yes, many reputable platforms offer high-quality free eBooks, including classics and public domain works. However, make sure to verify the source to ensure the eBook credibility. Can I read eBooks without an eReader? Absolutely! Most eBook platforms offer web-based readers or mobile apps that allow you to read eBooks on your computer, tablet, or smartphone. How do I avoid digital eye strain while reading eBooks? To prevent digital eye strain, take regular breaks, adjust the font size and background color, and ensure proper lighting while reading eBooks. What the advantage of interactive eBooks? Interactive eBooks incorporate multimedia elements, quizzes, and activities, enhancing the reader engagement and providing a more immersive learning experience. Introduction To Aircraft Performance Selection And Design is one of the best book in our library for free trial. We provide copy of Introduction To Aircraft Performance Selection And Design in digital format, so the resources that you find are reliable. There are also many Ebooks of related with Introduction To Aircraft Performance Selection And Design. Where to download Introduction To Aircraft Performance Selection And Design online for free? Are you looking for Introduction To Aircraft Performance Selection And Design PDF? This is definitely going to save you time and cash in something you should think about.

**Find Introduction To Aircraft Performance Selection And Design :**

**international journal of mathematics trends and technology**

**impact of remittances on poverty in unctad**

**industry and empire from 1750 to the present day by**

introduction to chemical processes principles analysis synthesis pdf

integrated chinese character workbook level 1 part 1 simplified traditional character 3rd edition integrated chinese level 1 chinese edition

~~introduction to fluid mechanics whitaker solution manual~~

interior design illustrated 2nd edition

in gioco per te the crossfire series 4 sylvia day

*introduction to geophysical prospecting 4th edition*

**installation guide elster**

*injection molding plastic products pre feasibility study*

introduction to biotechnology thieman

~~immunology laboratory manual~~

*information technology for managers exam papers*

**immunotherapy of metastatic renal cell cancer**

**Introduction To Aircraft Performance Selection And Design :**

*install whatsapp messenger in nokia c21 devicesfaq com - Dec 17 2021*

**continental kann mit sorgenkind autozulieferung punkten die zeit - Feb 16 2022**

web 1 first step to install whatsapp in your g11 you have several options if you nokia g11 has the app store play store looks for its icon and clicks on it if on the other hand

**nasıl nokia 8110 4g me whatsapp yükleyebilirim - Dec 29 2022**

web whatsapp officially whatsapp messenger is a freeware cross platform centralized instant messaging im and voice over ip voip service owned by united states tech

**install whatsapp messenger in nokia g11 devicesfaq com - Nov 15 2021**

*whatsapp for nokia lumia download and install* - Aug 05 2023

web may 1 2023 whatsapp messenger whatsapp messenger is a smartphone messenger available for android blackberry iphone windows for nokia 111 internet

whatsapp messenger for nokia c111 2023 ai classmonitor - Jun 22 2022

web 4 whatsapp messenger for nokia c111 2022 06 01 readers are provided with updated computer security resources that describe new vulnerabilities and innovative methods to

whatsapp messenger for nokia c111 pdf uniport edu - Aug 25 2022

web apr 9 2023 whatsapp messenger for nokia c111 1 8 downloaded from uniport edu ng on april 9 2023 by guest whatsapp messenger for nokia c111 if you ally compulsion

*whatsapp messenger for nokia c111 pdf uniport edu* - May 22 2022

web 13 hours ago hier finden sie informationen zu dem thema auto lesen sie jetzt continental kann mit sorgenkind autozulieferung punkten

**install whatsapp messenger in nokia c110 devicesfaq com** - Jan 18 2022

web feb 16 2011 whatsapp messenger no hidden cost once you and your friends download the application you can use it to chat as much as you want send a million

install whatsapp messenger in nokia c21 plus devicesfaq com - Oct 27 2022

web jun 5 2023 access the whatsapp messenger for nokia c111 join that we have the resources for here and check out the link if you endeavor to obtain and deploy the

*install whatsapp messenger in nokia c32 devicesfaq com* - Nov 27 2022

web jun 3 2023 the whatsapp messenger for nokia c111 it is very simple then in the past currently we extend the belong to to purchase and create bargains to download and

whatsapp masaüstü ne windows 11 güncellemesi geliyor - Apr 20 2022

web 1 first step to install whatsapp in your c110 you have several options if you nokia c110 has the app store play store looks for its icon and clicks on it if on the other hand

**whatsapp messenger indir nokia için mobil** - May 02 2023

web whatsapp from meta is a 100 free messaging app it s used by over 2b people in more than 180 countries it s simple reliable and private so you can easily keep in touch with

**how to use whatsapp on nokia c1 a step by step guide to** - Feb 28 2023

web 1 first step to install whatsapp in your c32 you have several options if you nokia c32 has the app store play store looks for its icon and clicks on it if on the other hand

**install whatsapp messenger in nokia c1 devices**faq com - Jul 04 2023

web nokia telefonlara whatsapp yüklenir mi pek bilinmesede nokia telefonların bazı modellerine whatsapp yüklenebiliyor bu sene yaz ayında bazı nokia modelleri artık

[whatsapp wikipedia](#) - Sep 25 2022

web whatsapp messenger for nokia c111 downloaded from ai classmonitor com by guest ellis ingrid cyberwar 3 0 university of toronto press count walewski s famous

**nokia telefonlara whatsapp yüklenir mi hangi nokia modellerine** - Apr 01 2023

web whatsapp uygulamasını indirmek için uygulamalar menüsünden mağaza ya basın yana kaydırın ve sosyal whatsapp ı seçin ardından seç al a basın uygulama

**how to download and install whatsapp on nokia devices** - Sep 06 2023

web 1 first step to install whatsapp in your c1 you have several options if you nokia c1 has the app store play store looks for its icon and clicks on it if on the other hand your

[free download whatsapp messenger for nokia 111 internet](#) - Jun 03 2023

web mar 4 2023 the answer is yes it does nokia c1 is an android based smartphone that was released in 2020 and is compatible with a wide range of applications including

**whatsapp messenger for nokia c111 pantera adecco com** - Mar 20 2022

web 1 first step to install whatsapp in your c21 you have several options if you nokia c21 has the app store play store looks for its icon and clicks on it if on the other hand

[whatsapp messenger for nokia c111 speakings gestamp](#) - Jul 24 2022

web jan 20 2022 whatsapp ın masaüstü sürümü olan whatsapp masaüstü uygulaması windows 11 ve windows 10 için yepyeni bir tasarım diline geçiş yapıyor 20 ocak 2022

**whatsapp official app in the microsoft store** - Jan 30 2023

web 1 first step to install whatsapp in your c21 plus you have several options if you nokia c21 plus has the app store play store looks for its icon and clicks on it if on the other

**nokia için whatsapp messenger kurmak nasıl yapılır** - Oct 07 2023

web the whatsapp messaging application is not included in nokia mobile phones or tablets so it is necessary to download it from an application store search your device among the

**free download whatsapp messenger for nokia 6303 app** - Oct 15 2021

**endstation ischia hartingers erster italienischer fall** - Mar 26 2023

web may 12 2014 endstation ischia hartingers erster italienischer fall franke andreas amazon ca books

**endstation ischia hartingers erster italienischer fall volume 1** - Jul 18 2022

web endstation leo Übersetzung im italienisch deutsch wörterbuch werbung

**ischia endstation ischia hartingers erster** - Apr 26 2023

web feb 21 2011 hartingers erster italienischer fall von andreas franke in hartingers erstem italienischen fall endstation ischia reist der kommissar mit seiner familie in

**endstation ischia hartingers erster italienischer fall volume 1** - Jun 16 2022

web latein niederländisch deutsch als fremdsprache Übersetzung deutsch italienisch für endstation im pons online wörterbuch nachschlagen gratis vokabeltrainer

**9781499358049 endstation ischia hartingers erster** - Oct 21 2022

web endstation ischia hartingers erster italienischer fall volume 1 german edition franke andreas amazon sg books

*endstation ischia hartingers italienischer fall taschenbuch* - Nov 09 2021

*endstation ischia hartingers erster italienischer fall volume 1* - Sep 19 2022

web endstation ischia hartingers erster italienischer fall volume 1 hartingers italienischer fall franke andreas amazon es libros

endstation ischia hartingers erster italienischer - May 16 2022

web endstation ischia hartingers erster italienischer fall von andreas franke broschiert bei medimops de bestellen gebraucht günstig kaufen sparen gratis versand bei medimops

*endstation leo Übersetzung im italienisch deutsch* - Apr 14 2022

web endstation ischia max hartinger ein kripobeamter aus dem oberbayerischen rosenheim reist mit seiner italienischen frau chiara und seinen beiden töchtern in den

*endstation ischia hartingers erster italienischer fall hartingers* - Dec 11 2021

**endstation ischia hartingers italienischer fall 1** - Jan 12 2022

endstation ischia hartingers erster italienischer fall - Aug 31 2023

web endstation ischia hartingers erster italienischer fall volume 1 franke andreas amazon com tr kitap

*endstation ischia hartingers erster italienischer fall volume 1 by* - Nov 21 2022

web may 12 2014 endstation ischia hartingers erster italienischer fall hartingers italienischer fall german edition franke

andreas on amazon com free

**endstation ischia hartingers erster italienischer fall hartingers** - Aug 19 2022

web endstation ischia andreas franke 2014 05 12 endstation ischia hartingers erster italienischer fall max hartinger ein kripobeamter aus dem oberbayerischen

**endstation ischia hartingers erster italienischer fall volume 1** - Jul 30 2023

web may 12 2014 buy endstation ischia hartingers erster italienischer fall volume 1 hartingers italienischer fall by franke andreas isbn 9781499358049 from

**endstation ischia hartingers erster italienischer fall volume 1** - May 28 2023

web teilen produkterinnerung in hartingers erstem italienischen fall endstation ischia reist der kommissar mit seiner familie in den sommerferien auf die insel ischia im golf von

*endstation ischia andreas franke buch isbn 978 3 9813789* - Jan 24 2023

web endstation ischia hartingers erster italienischer fall hartingers italienischer fall band 1 finden sie alle bücher von franke andreas bei der büchersuchmaschine

**endstation deutsch italienisch Übersetzung pons** - Mar 14 2022

web endstation ischia hartingers erster italienischer fall hartingers italienischer fall band 1 franke andreas isbn 9781499358049 kostenloser versand für alle bücher

**endstation ischia hartingers erster italienischer fall medimops** - Feb 10 2022

web Über den autor und weitere mitwirkende der autor andreas franke geboren 1968 hat bei bisher über vierzig italien reisen land und leute kennen gelernt sein erster

endstation ischia hartingers erster italienischer fall franke - Dec 23 2022

web endstation ischia hartingers erster italienischer fall volume 1 hartingers italienischer fall von franke andreas beim zvaab com isbn 10 1499358040 isbn

endstation ischia bücher de - Feb 22 2023

web buy endstation ischia hartingers erster italienischer fall volume 1 by online on amazon ae at best prices fast and free shipping free returns cash on delivery available

**endstation ischia hartingers erster italienischer fall** - Jun 28 2023

web endstation ischia max hartinger ein kripobeamter aus dem oberbayerischen rosenheim reist mit seiner italienischen frau chiara und seinen beiden töchtern in den

**treddici miliardi di anni il romanzo dell universo e della vita** - Nov 09 2022

treddici miliardi di anni il romanzo dell universo e della vita è un libro scritto da piero angela pubblicato da mondadori nella

collana nuovi oscar saggi libracciò it

*tredici miliardi di anni piero angela google books - Sep 07 2022*

peccato che nessun cronista e nessun cameraman abbia potuto assistere in diretta all'evoluzione dell'universo e della vita sulla terra sarebbe stato il piú grande reportage della storia ma oggi qualcosa del genere si può fare tutte le conoscenze e le immagini che gli scienziati hanno accumulato possono essere rimontate insieme per diventare un grandioso film un racconto  tredici miliardi di anni il romanzo dell'universo e della vita  - Jun 16 2023

scopri tredici miliardi di anni il romanzo dell'universo e della vita di angela piero spedizione gratuita per i clienti prime e per ordini a partire da 29 spediti da amazon

tredici miliardi di anni il romanzo dell'universo e della vita  - Mar 13 2023

tredici miliardi di anni il romanzo dell'universo e della vita ebook angela piero amazon it libri

**tredici miliardi di anni il romanzo dell'universo e della vita**  - Feb 12 2023

sarà un po' come seguire il racconto di un cronista che dialogando con un immaginario interlocutore curioso ripercorrerà questa fantastica storia soffermandosi soprattutto sui passaggi cruciali sui momenti di svolta che hanno modellato pian piano l'universo e che hanno scandito il percorso della vita sulla terra

**tredici miliardi di anni il romanzo dell'universo e della vita**  - Sep 19 2023

tredici miliardi di anni il romanzo dell'universo e della vita è un libro di piero angela pubblicato da mondadori nella collana nuovi oscar saggi acquista su ibs a 14 00

*tredici miliardi di anni il romanzo dell'universo piero angela - Apr 02 2022*

tredici miliardi di anni il romanzo dell'universo piero angela download on z library z library download books for free find books

*tredici miliardi di anni il romanzo dell'universo e della vita - Jun 04 2022*

Jul 16 2017 tredici miliardi di anni il romanzo dell'universo e della vita libro di piero angela spedizione gratuita per ordini superiori a 25 euro acquistalo su libreriauniversitaria it pubblicato da mondadori collana oscar bestsellers brossura maggio 2016 9788804662327

**tredici miliardi di anni il romanzo dell'universo e della vita**  - Apr 14 2023

acquista online il libro tredici miliardi di anni il romanzo dell'universo e della vita di piero angela in offerta a prezzi imbattibili su mondadori store

**tredici miliardi di anni il romanzo dell'universo e della vita**  - Oct 08 2022

sep 20 2019 tredici miliardi di anni il romanzo dell'universo e della vita piero angela recensione libro tredici miliardi di anni il romanzo dell'universo e della vita di piero angela piero angela

tredecimiliardi di anni il romanzo dell universo e della vita - Jul 05 2022

tredecimiliardi di anni télécharger un extrait feuilleté résumé voir tout peccato che nessun cronista e nessun cameraman abbia potuto assistere in diretta all evoluzione dell universo e della vita sulla terra sarebbe stato il più grande reportage della storia

**tredecimiliardi di anni il romanzo dell universo e della vita** - Aug 06 2022

Jul 16 2017 questo percorso avvincente come una grande saga sarà l occasione per approfondire molte delle conoscenze scientifiche attualmente a nostra disposizione sugli argomenti più diversi l astronomia il big bang i buchi neri la formazione dei pianeti e delle stelle il destino dell universo la biologia la cellula il dna la teoria dell

tredecimiliardi di anni piero angela macrolibrarsi - May 03 2022

libro tredecimiliardi di anni di piero angela il romanzo dell universo e della vita acquistalo ora sconti e spedizione gratuita

**tredecimiliardi di anni il romanzo dell universo e della vita** - May 15 2023

scopri tredecimiliardi di anni il romanzo dell universo e della vita di angela piero spedizione gratuita per i clienti prime e per ordini a partire da 29 spediti da amazon

recensioni tredecimiliardi di anni il romanzo dell universo e della - Jan 31 2022

tredecimiliardi di anni il romanzo dell universo e della vita di piero angela peccato che nessun cronista e nessun cameraman abbia potuto assistere in diretta all evoluzione dell universo e della vita sulla terra sarebbe stato il più grande reportage della storia

tredecimiliardi di anni il romanzo dell universo e della vita - Jul 17 2023

tredecimiliardi di anni il romanzo dell universo e della vita è un libro di piero angela pubblicato da mondadori nella collana oscar bestsellers acquista su ibs a 11 40

tredecimiliardi di anni il romanzo dell universo e della vita - Mar 01 2022

tredecimiliardi di anni il romanzo dell universo e della vita è un ebook di angela piero pubblicato da mondadori a 6 99 il file è in formato epub2 con adobe drm risparmia online con le offerte ibs

**tredecimiliardi di anni il romanzo dell universo e della vita** - Dec 10 2022

tredecimiliardi di anni il romanzo dell universo e della vita di piero angela autore mondadori 2015 2 libro venditore lafeltrinelli 18 05 5 19 00 180 punti attualmente non disp prenota e ritira disponibilità in negozio aggiungi alla lista desideri articolo acquistabile con bonus cultura 18app e carta del docente descrizione dettagli

**tredecimiliardi di anni il romanzo dell universo e della vita** - Jan 11 2023

Feb 13 2017 tredecimiliardi di anni il romanzo dell universo e della vita di piero angela editore mondadori collana ingrandimenti data di pubblicazione 15 maggio 2015 ean 9788804651192 isbn 8804651199 pagine 224 formato rilegato

argomenti cosmologia e l universo scienze opere divulgative acquistabile con il bonus 18app o la carta del docente

*tredecimiliardi di anni il romanzo dell universo e della vita* - Aug 18 2023

tredecimiliardi di anni il romanzo dell universo e della vita angela piero amazon com tr kitap