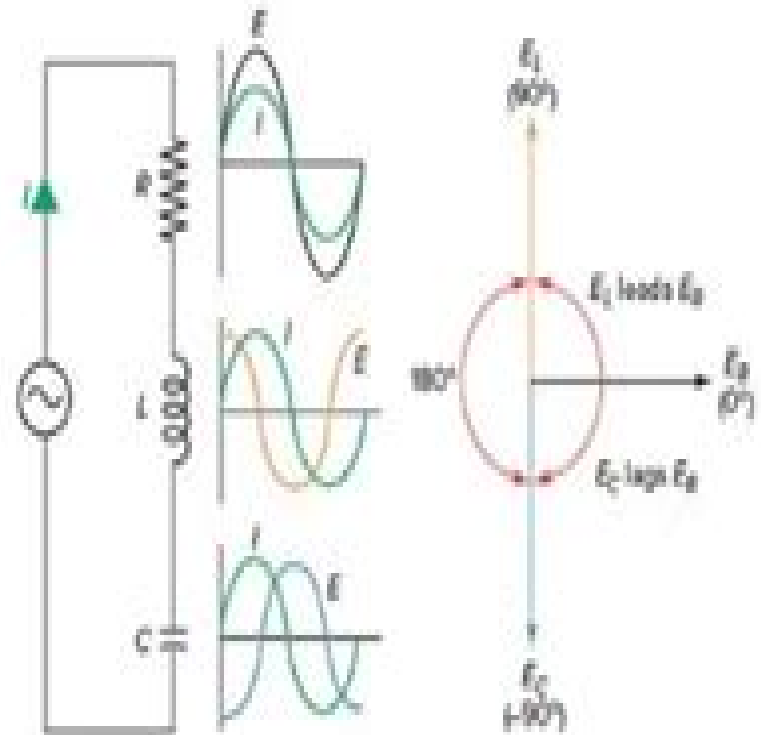
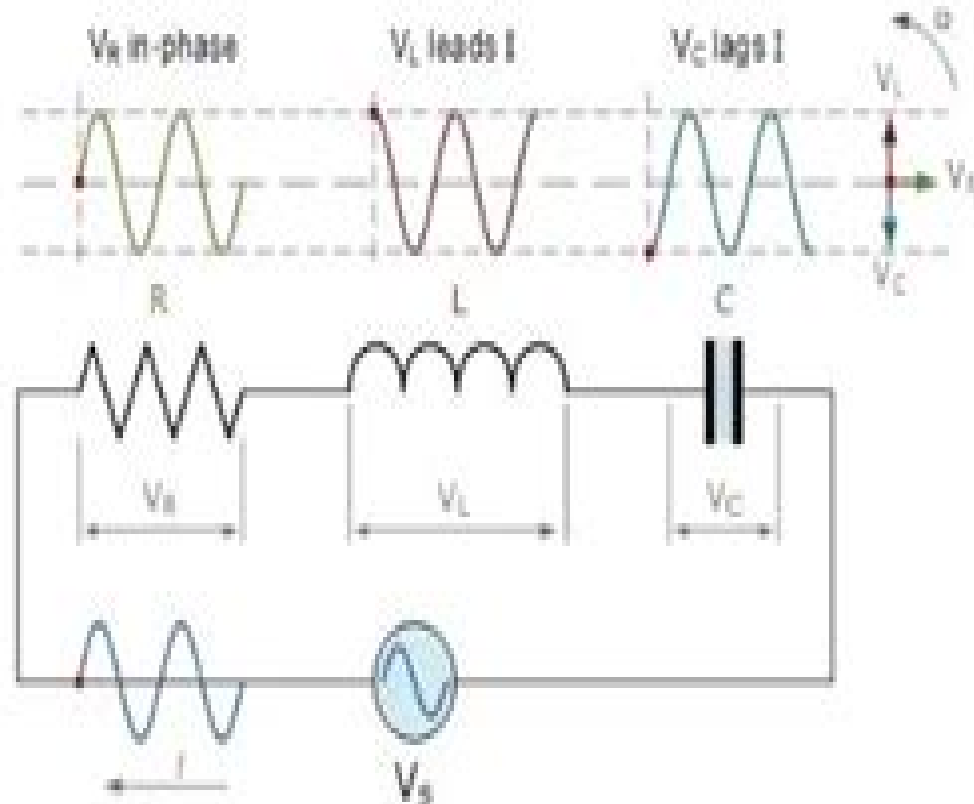


# What is RLC Circuit Analysis?



Electrical 4 U

# Rlc Circuits Problems And Solutions Pdf Friendspetfest

**R Bogdan**



**Rlc Circuits Problems And Solutions Pdf Friendspetfest:**

Embark on a transformative journey with Explore the World with is captivating work, Discover the Magic in **Rlc Circuits Problems And Solutions Pdf Friendspetfest** . This enlightening ebook, available for download in a convenient PDF format , invites you to explore a world of boundless knowledge. Unleash your intellectual curiosity and discover the power of words as you dive into this riveting creation. Download now and elevate your reading experience to new heights .

[https://py.bijouxmedusa.com/results/publication/Download\\_PDFS/essay%20essentials%20with%20readings%20custom%20edition.pdf](https://py.bijouxmedusa.com/results/publication/Download_PDFS/essay%20essentials%20with%20readings%20custom%20edition.pdf)

## **Table of Contents Rlc Circuits Problems And Solutions Pdf Friendspetfest**

1. Understanding the eBook Rlc Circuits Problems And Solutions Pdf Friendspetfest
  - The Rise of Digital Reading Rlc Circuits Problems And Solutions Pdf Friendspetfest
  - Advantages of eBooks Over Traditional Books
2. Identifying Rlc Circuits Problems And Solutions Pdf Friendspetfest
  - Exploring Different Genres
  - Considering Fiction vs. Non-Fiction
  - Determining Your Reading Goals
3. Choosing the Right eBook Platform
  - Popular eBook Platforms
  - Features to Look for in an Rlc Circuits Problems And Solutions Pdf Friendspetfest
  - User-Friendly Interface
4. Exploring eBook Recommendations from Rlc Circuits Problems And Solutions Pdf Friendspetfest
  - Personalized Recommendations
  - Rlc Circuits Problems And Solutions Pdf Friendspetfest User Reviews and Ratings
  - Rlc Circuits Problems And Solutions Pdf Friendspetfest and Bestseller Lists
5. Accessing Rlc Circuits Problems And Solutions Pdf Friendspetfest Free and Paid eBooks
  - Rlc Circuits Problems And Solutions Pdf Friendspetfest Public Domain eBooks
  - Rlc Circuits Problems And Solutions Pdf Friendspetfest eBook Subscription Services

- Rlc Circuits Problems And Solutions Pdf Friendspetfest Budget-Friendly Options
- 6. Navigating Rlc Circuits Problems And Solutions Pdf Friendspetfest eBook Formats
  - ePub, PDF, MOBI, and More
  - Rlc Circuits Problems And Solutions Pdf Friendspetfest Compatibility with Devices
  - Rlc Circuits Problems And Solutions Pdf Friendspetfest Enhanced eBook Features
- 7. Enhancing Your Reading Experience
  - Adjustable Fonts and Text Sizes of Rlc Circuits Problems And Solutions Pdf Friendspetfest
  - Highlighting and Note-Taking Rlc Circuits Problems And Solutions Pdf Friendspetfest
  - Interactive Elements Rlc Circuits Problems And Solutions Pdf Friendspetfest
- 8. Staying Engaged with Rlc Circuits Problems And Solutions Pdf Friendspetfest
  - Joining Online Reading Communities
  - Participating in Virtual Book Clubs
  - Following Authors and Publishers Rlc Circuits Problems And Solutions Pdf Friendspetfest
- 9. Balancing eBooks and Physical Books Rlc Circuits Problems And Solutions Pdf Friendspetfest
  - Benefits of a Digital Library
  - Creating a Diverse Reading Collection Rlc Circuits Problems And Solutions Pdf Friendspetfest
- 10. Overcoming Reading Challenges
  - Dealing with Digital Eye Strain
  - Minimizing Distractions
  - Managing Screen Time
- 11. Cultivating a Reading Routine Rlc Circuits Problems And Solutions Pdf Friendspetfest
  - Setting Reading Goals Rlc Circuits Problems And Solutions Pdf Friendspetfest
  - Carving Out Dedicated Reading Time
- 12. Sourcing Reliable Information of Rlc Circuits Problems And Solutions Pdf Friendspetfest
  - Fact-Checking eBook Content of Rlc Circuits Problems And Solutions Pdf Friendspetfest
  - Distinguishing Credible Sources
- 13. Promoting Lifelong Learning
  - Utilizing eBooks for Skill Development
  - Exploring Educational eBooks
- 14. Embracing eBook Trends

- Integration of Multimedia Elements
- Interactive and Gamified eBooks

## **Rlc Circuits Problems And Solutions Pdf Friendspetfest Introduction**

In this digital age, the convenience of accessing information at our fingertips has become a necessity. Whether its research papers, eBooks, or user manuals, PDF files have become the preferred format for sharing and reading documents. However, the cost associated with purchasing PDF files can sometimes be a barrier for many individuals and organizations. Thankfully, there are numerous websites and platforms that allow users to download free PDF files legally. In this article, we will explore some of the best platforms to download free PDFs. One of the most popular platforms to download free PDF files is Project Gutenberg. This online library offers over 60,000 free eBooks that are in the public domain. From classic literature to historical documents, Project Gutenberg provides a wide range of PDF files that can be downloaded and enjoyed on various devices. The website is user-friendly and allows users to search for specific titles or browse through different categories. Another reliable platform for downloading Rlc Circuits Problems And Solutions Pdf Friendspetfest free PDF files is Open Library. With its vast collection of over 1 million eBooks, Open Library has something for every reader. The website offers a seamless experience by providing options to borrow or download PDF files. Users simply need to create a free account to access this treasure trove of knowledge. Open Library also allows users to contribute by uploading and sharing their own PDF files, making it a collaborative platform for book enthusiasts. For those interested in academic resources, there are websites dedicated to providing free PDFs of research papers and scientific articles. One such website is Academia.edu, which allows researchers and scholars to share their work with a global audience. Users can download PDF files of research papers, theses, and dissertations covering a wide range of subjects. Academia.edu also provides a platform for discussions and networking within the academic community. When it comes to downloading Rlc Circuits Problems And Solutions Pdf Friendspetfest free PDF files of magazines, brochures, and catalogs, Issuu is a popular choice. This digital publishing platform hosts a vast collection of publications from around the world. Users can search for specific titles or explore various categories and genres. Issuu offers a seamless reading experience with its user-friendly interface and allows users to download PDF files for offline reading. Apart from dedicated platforms, search engines also play a crucial role in finding free PDF files. Google, for instance, has an advanced search feature that allows users to filter results by file type. By specifying the file type as "PDF," users can find websites that offer free PDF downloads on a specific topic. While downloading Rlc Circuits Problems And Solutions Pdf Friendspetfest free PDF files is convenient, its important to note that copyright laws must be respected. Always ensure that the PDF files you download are legally available for free. Many authors and publishers voluntarily provide free PDF versions of their work, but its essential to be cautious and verify the authenticity of the source

before downloading Rlc Circuits Problems And Solutions Pdf Friendspetfest. In conclusion, the internet offers numerous platforms and websites that allow users to download free PDF files legally. Whether its classic literature, research papers, or magazines, there is something for everyone. The platforms mentioned in this article, such as Project Gutenberg, Open Library, Academia.edu, and Issuu, provide access to a vast collection of PDF files. However, users should always be cautious and verify the legality of the source before downloading Rlc Circuits Problems And Solutions Pdf Friendspetfest any PDF files. With these platforms, the world of PDF downloads is just a click away.

### **FAQs About Rlc Circuits Problems And Solutions Pdf Friendspetfest Books**

How do I know which eBook platform is the best for me? Finding the best eBook platform depends on your reading preferences and device compatibility. Research different platforms, read user reviews, and explore their features before making a choice. Are free eBooks of good quality? Yes, many reputable platforms offer high-quality free eBooks, including classics and public domain works. However, make sure to verify the source to ensure the eBook credibility. Can I read eBooks without an eReader? Absolutely! Most eBook platforms offer webbased readers or mobile apps that allow you to read eBooks on your computer, tablet, or smartphone. How do I avoid digital eye strain while reading eBooks? To prevent digital eye strain, take regular breaks, adjust the font size and background color, and ensure proper lighting while reading eBooks. What the advantage of interactive eBooks? Interactive eBooks incorporate multimedia elements, quizzes, and activities, enhancing the reader engagement and providing a more immersive learning experience. Rlc Circuits Problems And Solutions Pdf Friendspetfest is one of the best book in our library for free trial. We provide copy of Rlc Circuits Problems And Solutions Pdf Friendspetfest in digital format, so the resources that you find are reliable. There are also many Ebooks of related with Rlc Circuits Problems And Solutions Pdf Friendspetfest. Where to download Rlc Circuits Problems And Solutions Pdf Friendspetfest online for free? Are you looking for Rlc Circuits Problems And Solutions Pdf Friendspetfest PDF? This is definitely going to save you time and cash in something you should think about. If you trying to find then search around for online. Without a doubt there are numerous these available and many of them have the freedom. However without doubt you receive whatever you purchase. An alternate way to get ideas is always to check another Rlc Circuits Problems And Solutions Pdf Friendspetfest. This method for see exactly what may be included and adopt these ideas to your book. This site will almost certainly help you save time and effort, money and stress. If you are looking for free books then you really should consider finding to assist you try this. Several of Rlc Circuits Problems And Solutions Pdf Friendspetfest are for sale to free while some are payable. If you arent sure if the books you would like to download works with for usage along with your computer, it is possible to download free trials. The free guides make it easy for someone to free access online library for

download books to your device. You can get free download on free trial for lots of books categories. Our library is the biggest of these that have literally hundreds of thousands of different products categories represented. You will also see that there are specific sites catered to different product types or categories, brands or niches related with Rlc Circuits Problems And Solutions Pdf Friendspetfest. So depending on what exactly you are searching, you will be able to choose e books to suit your own need. Need to access completely for Campbell Biology Seventh Edition book? Access Ebook without any digging. And by having access to our ebook online or by storing it on your computer, you have convenient answers with Rlc Circuits Problems And Solutions Pdf Friendspetfest To get started finding Rlc Circuits Problems And Solutions Pdf Friendspetfest, you are right to find our website which has a comprehensive collection of books online. Our library is the biggest of these that have literally hundreds of thousands of different products represented. You will also see that there are specific sites catered to different categories or niches related with Rlc Circuits Problems And Solutions Pdf Friendspetfest So depending on what exactly you are searching, you will be able to choose ebook to suit your own need. Thank you for reading Rlc Circuits Problems And Solutions Pdf Friendspetfest. Maybe you have knowledge that, people have search numerous times for their favorite readings like this Rlc Circuits Problems And Solutions Pdf Friendspetfest, but end up in harmful downloads. Rather than reading a good book with a cup of coffee in the afternoon, instead they juggled with some harmful bugs inside their laptop. Rlc Circuits Problems And Solutions Pdf Friendspetfest is available in our book collection an online access to it is set as public so you can download it instantly. Our digital library spans in multiple locations, allowing you to get the most less latency time to download any of our books like this one. Merely said, Rlc Circuits Problems And Solutions Pdf Friendspetfest is universally compatible with any devices to read.

### **Find Rlc Circuits Problems And Solutions Pdf Friendspetfest :**

[essay essentials with readings custom edition](#)

**eton et866 motherboard**

[equipment set up compound bow](#)

**examples of a cultural analysis**

[essentialism the disciplined pursuit of less](#)

**fantasy sex dress up and act out over 30 role play scenarios**

[exploring impact theory and practice in research that](#)

[fan art sarah tregay](#)

[ennio morricone gabriel s oboe classic fm](#)

[fagottini con ricotta prosciutto e zucchine](#)

[esp career paths engineering book 2](#)

[environmental science study guide with answers](#)

[essay on guru gobind singh ji in hindi](#)

**experimental microbiology by rakesh patel pdf**

[esercizi di inglese per principianti gratis](#)

### **Rlc Circuits Problems And Solutions Pdf Friendspetfest :**

**grace a biography wydra thilo author archive org** - Jul 19 2023

web grace princess of monaco 1929 1982 motion picture actors and actresses united states biography princesses monaco biography history europe france

**grace millane s mother on daughter s murderer i don t care what** - Oct 30 2021

web oct 18 2023 what is grace charis age she is 20 years old as of 2023 she is a prominent american golf player social media influencer instagram model and

*all is grace a biography of dorothy day google books* - Jun 06 2022

web in this lavishly illustrated biography jim forest provides a compelling portrait of her heroic efforts to live out the radical message of the gospel for our time a journalist and social

*grace a biography by thilo wydra ebook barnes* - Mar 15 2023

web nov 18 2014 overview thirty years ago grace kelly was tragically killed when her vehicle tumbled forty meters from the serpentine roads of monaco she has since become a

**all is grace a biography of dorothy day amazon com** - Mar 03 2022

web grace commonly refers to a smooth and pleasing way of moving or a polite and thoughtful way of behaving but when someone says they were late to the airport and only made it

[grace definition meaning synonyms vocabulary com](#) - Jan 01 2022

web 8 hours ago in november 2020 grace s father david millane died of cancer after being diagnosed with non hodgkins lymphoma when we went to the trial which was the

**grace millane s mother gillian pays tribute to daughter newshub** - Sep 28 2021

web oct 19 2023 police have appealed for information to find a 16 year old girl who went missing in kent grace fisher has not been seen since friday 13 october when she was

[grace a biography kindle edition amazon co uk](#) - Sep 21 2023

web this comprehensive biography draws from previously unreleased photographs and documents from the grimaldi family

archive and for the first time access to the letters between kelly and hitchcock it is also based on interviews with kelly s companions and

**grace a biography by thilo wydra goodreads** - Jun 18 2023

web read 23 reviews from the world s largest community for readers thirty years ago grace kelly was tragically killed when her vehicle tumbled forty meters f

nypd officer grace rosa baez boyfriend cesar martinez - May 25 2021

web nov 18 2014 from 2004 to 2011 he was the german correspondent at the cannes international film festival he has written numerous film books and biographies

**grace a biography ebook wydra thilo amazon ca kindle store** - Dec 12 2022

web philanthropist icon the compassionate revealing and surprising biography of one of the most admired women in hollywood history she was in an out of hollywood in six years

*grace a biography wydra thilo amazon com tr kitap* - May 17 2023

web grace a biography wydra thilo amazon com tr kitap Çerez tercihlerinizi seçin Çerez bildirimimizde ayrıntılı şekilde açıklandığı üzere alışveriş yapmanızı sağlamak alışveriş

**grace definition facts britannica** - May 05 2022

web thirty years ago grace kelly was tragically killed when her vehicle tumbled forty meters from the serpentine roads of monaco she has since become a myth a style icon

buy grace a biography book by thilo wydra - Nov 11 2022

web buy grace a biography hardcover book by thilo wydra from as low as 3 88 buy 3 get 1 free our best sale yet add 4 books priced under 5 to your cart learn more

*grace a biography wydra thilo amazon com au* - Jul 07 2022

web grace a biography wydra thilo on amazon com au free shipping on eligible orders grace a biography

grace given name wikipedia - Feb 02 2022

web this paper is included in arts of war and peace 2 1 2016 as a note in addition to an interview with catholic worker peter king it offers an introduction to dorothy day s

*grace a biography indianapolis public library overdrive* - Sep 09 2022

web thirty years ago grace kelly was tragically killed when her vehicle tumbled forty meters from the serpentine roads of monaco she has since become a myth a style icon

**grace a biography by thilo wydra overdrive** - Feb 14 2023

web nov 18 2014 thirty years ago grace kelly was tragically killed when her vehicle tumbled forty meters from the

serpentine roads of monaco she has since become a myth a style

**grace a biography wydra thilo 9781629145419** - Aug 20 2023

web nov 18 2014 thirty years ago grace kelly was tragically killed when her vehicle tumbled forty meters from the

serpentine roads of monaco she has since become a myth a style

**amazon com grace a biography ebook wydra thilo kindle** - Mar 23 2021

**grace fisher police appeal over missing girl as man arrested** - Jul 27 2021

web 1 day ago new york an nypd officer and her boyfriend are facing charges for allegedly conspiring to distribute dangerous narcotics investigators say the officer

all is grace a biography of dorothy day academia edu - Nov 30 2021

web 10 hours ago william hewett grace millane s mother has paid tribute to her daughter describing her as an amazing young girl and her best friend it comes about a year after

**grace a biography by thilo wydra books on google play** - Jan 13 2023

web grace a biography ebook written by thilo wydra read this book using google play books app on your pc android ios devices download for offline reading highlight

all is grace a biography of dorothy day archive org - Aug 08 2022

web in this lavishly illustrated biography jim forest provides a compelling portrait of her heroic efforts to live out the radical message of the gospel for our time a journalist and social

*grace a biography wydra thilo yen jonathan amazon com au* - Oct 10 2022

web grace a biography wydra thilo yen jonathan on amazon com au free shipping on eligible orders grace a biography

grace a biography thilo wydra google books - Apr 16 2023

web nov 18 2014 thirty years ago grace kelly was tragically killed when her vehicle tumbled forty meters from the serpentine roads of monaco she has since become a myth a style

**wbbl 2023 grace harris hits broken bat six for brisbane heat** - Jun 25 2021

web october 20 2023 judy balaban a high placed participant in hollywood who was a friend of grace kelly and served as a bridesmaid in her wedding to prince rainier iii of monaco

**grace by thilo wydra ebook scribd** - Apr 04 2022

web grace is a female given name from the latin gratia it is often given in reference to the christian concept of divine grace and used as a virtue name

*grace charis age height birthday net worth golf legit ng* - Aug 28 2021

web oct 22 2023 grace harris breaks her bat while clubbing a six for the heat seven harris faced just 59 balls en route to her record knock the highlight of which came in the 14th

*judy balaban grace kelly s bridesmaid dies at 91 the news* - Apr 23 2021

*download pdf new opportunities upper intermediate language powerbook* - Dec 07 2022

web kupte knihu new opportunities upper intermediate language powerbook od michael harris a kol na martinus cz Čtenářské recenze poštovné nad 999 Kč zdarma slevy na

**new opportunities upper intermediate language powerbook** - Mar 10 2023

web new opportunities home english language teaching general english upper secondary new opportunities new opportunities based on feedback from teachers and

**opportunities intermediate language powerbook silo pub** - Oct 25 2021

*new opportunities upper intermediate language powerbook* - Jul 02 2022

web new opportunities intermediate language powerbook free download as pdf file pdf or read online for free english

*new opportunities pre intermediate language* - Nov 06 2022

web new opportunities russian edition upper intermediate language powerbook publisher pearson longman 2006 isbn 140583126x 9781405831260 length 160

**new opportunities upper intermediate students book pdf** - May 12 2023

web mar 1 2021 new opportunities upper intermediate students book opportunities free pdf download michael harris anna 180 pages year 2006

**new opportunities elementary language powerbook sciarium** - Dec 27 2021

web opportunities upper intermediate students book 2 930 666 55mb read more new opportunities pre intermediate test book 3 507 1 481 5mb read more opportunities

**new opportunities intermediate language powerbook** - Sep 23 2021

*new opportunities upper intermediate language powerbook* - Oct 05 2022

web new opportunities intermediate language powerbook answer key free download as pdf file pdf text file txt or read online for free

*new opportunities language powerbook upper old vulkk* - Nov 25 2021

web Популярный среди изучающих английский язык курс new opportunities intermediate language powerbook включает

в себя набор учебных материалов в том числе и

**new opportunities upper intermediate language powerbook** - Jul 14 2023

web new opportunities upper intermediate language powerbook answer key free download as pdf file pdf text file txt or read online for free scribd is the world s

*opportunities intermediate language powerbook pdf free* - Mar 30 2022

web sep 27 2014 new opportunities br br Учебник английского языка включает в себя несколько модулей посвященные определенным темам Внутри этих тем вы

**jorge adalver murcia new opportunities google sites** - Jan 08 2023

web download pdf new opportunities upper intermediate language powerbook answer key 19n0pd8g2klv

*new opportunities pearson* - Feb 09 2023

web upper intermediate opportunities upper intermediate student s book opportunities upper intermediate language powerbook opportunities upper intermediate

*new opportunities russian edition upper intermediate* - Sep 04 2022

web new opportunities upper intermediate language powerbook answer key download pdf report upload dragan vaskovski 65 embed size px text of new opportunities upper intermediate language powerbook answer key page 1 page 2 page 3 page 4 page 5 page 6 page 7 page 8 page 9

new opportunities intermediate language powerbook pdf - Apr 30 2022

web new opportunities upper intermediate students book opportunities u p p e r intermediate students book michael harris david mower anna sikorzynska talk about different kinds of ident opportunities beginner students book

**longman opportunities upper intermediate studen 1** - Apr 11 2023

web new opportunities upper intermediate language powerbook answer key pdf sign in

*opportunities intermediate students book pdf free download* - Feb 26 2022

web may 27 2023 this language powerbook is an important component of the course level elementary a1 a2 and provides students with a variety of exercises to improve

**new opportunities Учебник английского языка включает в** - Jan 28 2022

web new opportunities upper intermediate language powerbook benelux pack orbit winterson enfolds her seventh novel within the world of computers and transforms the

new opportunities upper intermediate language powerbook - Jun 01 2022

web download pdf opportunities global pre intermediate language powerbook read more opportunities beginner language powerbook read more opportunities

**course new opportunities level upper intermediate in** - Aug 15 2023

web jan 12 2014 course new opportunities level upper intermediate in package student s book language powerbook workbook cd course description by

[new opportunities education for life upper intermediate](#) - Jun 13 2023

web upper intermediate language powerbook michael harris david mower anna sikorzynska pearson longman 2006 juvenile nonfiction 143 pages education for life

**new opportunities intermediate language powerbook answer** - Aug 03 2022

web new opportunities upper intermediate language powerbook answer key download pdf report author juan carlos hernandez munoz e mail linkedin pinterest embed size px text of new opportunities upper intermediate language powerbook answer key page 1 page 2 page 3 page 4 page 5 page 6 page 7 page 8 page 9 load

[xerox color copier workcentre 7232 2019 youtube](#) - Jun 23 2022

web 20k views 9 years ago copierliquidationcenter com 714 696 6082 clc902 gmail com low meter xerox copiers xerox service repair fault code show more

[error code xerox workcenter 7232 copytechnet com](#) - Oct 28 2022

web may 26 2010 re xerox workcenter 7232 originally posted by goshe the light intensity of ld2 doesn t reach specified value check connections p j401 on mcu pwb and p j140 on ros unit

[fault code information xerox support](#) - Aug 06 2023

web jan 21 2020 support fault code information product support for wc7220 wc7225 family workcentre 7220 7225 article id x wc7120 en o13822 published 01 21 2020 to search on a fault code enter one code at a time the codes will be displayed on the touch screen fault code format a 3 digit number followed by a 3 digit number for example

[xerox workcentre 7232 error code list](#) - Dec 18 2021

web aug 7 2023 by experimenta lists nevertheless more cooperation and understanding between scientists working on low dimensional cooperative phenomena should appreciably stimulate further development with a better interdisciplinary understanding new ideas could possibly help chemists in synthesizing tailor cut solids this would in return give

**xerox workcentre 7232 evaluator manual pdf download manualslib** - Mar 01 2023

web view and download xerox workcentre 7232 evaluator manual online letter size color multifunction printer workcentre 7232 all in one printer pdf manual download also for workcentre 7242

**error code workcentre 7232 error code 089 311 copytechnet** - Sep 26 2022

web feb 7 2012 the machine xerox wc7232 stopped all functions with error code 089 311 ibt belt home position error the coworker checked and replaced the ibt belt sensor without long lasting success ive been at the machine yesterday because

the error appeared again due strong cracking and squeek noise i decided to replace the ibt belt

[fault codes xerox pdf domain name system scribd](#) - Apr 02 2023

web of 28 fault codes fault codes when a fault occurs the touch screen displays a message on how to clear the fault some faults indicate customer maintenance while others require the attention of the key operator and or system administrator the following table represents some of the fault codes and their corresponding corrective actions

[download solutions xerox workcentre 7232 error code list](#) - Nov 16 2021

web looks at the principles and clean code includes case studies showcasing the practices of writing clean code and contains a list of heuristics and smells accumulated from the process of writing clean code

**xerox workcentre 7232 error 010 333 customer support forum** - Nov 28 2022

web jul 18 2020 es gab den fehlercode 010 333 fuser center thermistor over temperature or overheat error hab eine neue fixiereinheit besorgt und

**support workcentre 7232 7242 windows 10 x64 xerox** - Jul 05 2023

web support workcentre 7232 7242 product support workcentre 7232 7242 need some 24 7 support chat with support support ex fault code 05 126 00 or lines on copies and prints drivers downloads documentation contact need more support get answers in the community support forum join the conversation more resources buy supplies

**documentation workcentre 7232 7242 xerox xerox support** - Jun 04 2023

web sep 5 2008 contains information to help you get started with your xerox workcentre 7232 7242

**quick use guide xerox** - Jan 31 2023

web workcentre 7232 7242 quick use guide simple lan faxing 4 set the fax options 5 send the fax when you have selected all the options you require select ok select ok on the print driver screen and ok on the print screen the fax confirmation screen will appear with the list of recipients you have chosen if you wish to make any changes select

**drivers downloads workcentre 7232 7242 windows 10 x64 xerox** - Aug 26 2022

web feb 11 2013 class drivers are included with windows 8 and windows rt tablets as a part of the operating system because they are immediately available and don t require downloading class drivers can offer a quick and convenient install experience

**xerox workcentre 7232 error code list ai classmonitor** - Jan 19 2022

web xerox workcentre 7232 error code list 3 3 contortions twists puckers and funny faces will not shape or contour sagging facial muscles in a mature face the facial magic facial exercise system will lift tone and tighten sagging facial muscles these proven easy to execute isometric movements require only minutes a day to perform and most

*fault code lookup in online support at your service* - Dec 30 2022

web may 12 2021 you have a couple of options here you can either enter the model of your printer displaying the code or you can just enter the fault code in the example below i just entered the fault code 010 420 the articles about that code will be displayed and the list will include any product that might display that fault code

[xerox workcentre 7232 error code list book](#) - Mar 21 2022

web set each reference item includes the syntax using standard code conventions a description a list of arguments if any accepted by the function or procedure tips and tricks of usage practical information on using the language feature in real programs a brief example and a cross reference to related keywords jacket

**i have a xerox 7232 work centre it s had error message for justanswer** - May 23 2022

web the standard remedy for that precise error code in this precise model of xerox machine is to turn it off then power it on again after 2 minutes then replace any low on ink dry ink cartridges then turn it off again

**xerox workcentre 7232 error code list** - Apr 21 2022

web 1 xerox workcentre 7232 error code list python essential reference jan 27 2020 python essential reference 3rd edition is a comprehensive reference to the python programming language the focus of this latest edition is to add coverage of significant new features and new library modules added to the language over the past five years

[how to clear error codes on xerox multifunction 7232](#) - Sep 07 2023

web how to clear error codes on xerox multifunction 7232 7242 xerox errorcodes technology techmeta

[fault code information xerox support](#) - Oct 08 2023

web feb 3 2020 article id 2109748 published 02 03 2020 note search the knowledge base from the main page by typing your fault code into the search field to search on a fault code enter one code at a time the codes will be displayed on the touch screen fault code format a 3 digit number followed by a 3 digit number

[workcenter 7232 problem customer support forum xerox](#) - Jul 25 2022

web oct 12 2016 1 reply joe arseneau valued advisor 10 12 2016 12 45 pm re workcenter 7232 problem sounds like a protocol error delete the printers you currently have loaded to this device then do a full manual install if the driver was the issue it would have the same problem in other versions of windows

**xerox workcentre 7232 error code list pdf ol wise edu** - Feb 17 2022

web xerox workcentre 7232 error code list 1 xerox workcentre 7232 error code list recognizing the exaggeration ways to acquire this books xerox workcentre 7232 error code

[xerox workcentre 7232 system administrator manual](#) - May 03 2023

web xerox workcentre 7232 7242 system administration guide page 91 the remote printer name defaults to lp the default printer 4 mx 0 is the indicator that there is no limit on the document size 5 sd is the path of the queue for the machine 6 lf is

the error log file name xerox workcentre 7232 7242 system administration guide