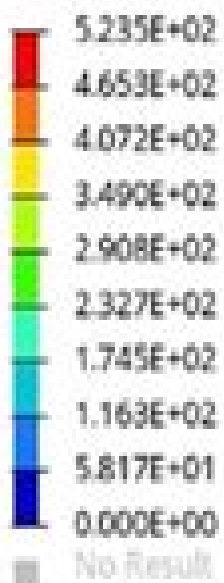


Contour Plot

Von Mises(Scalar value, Mid)

Simple Average

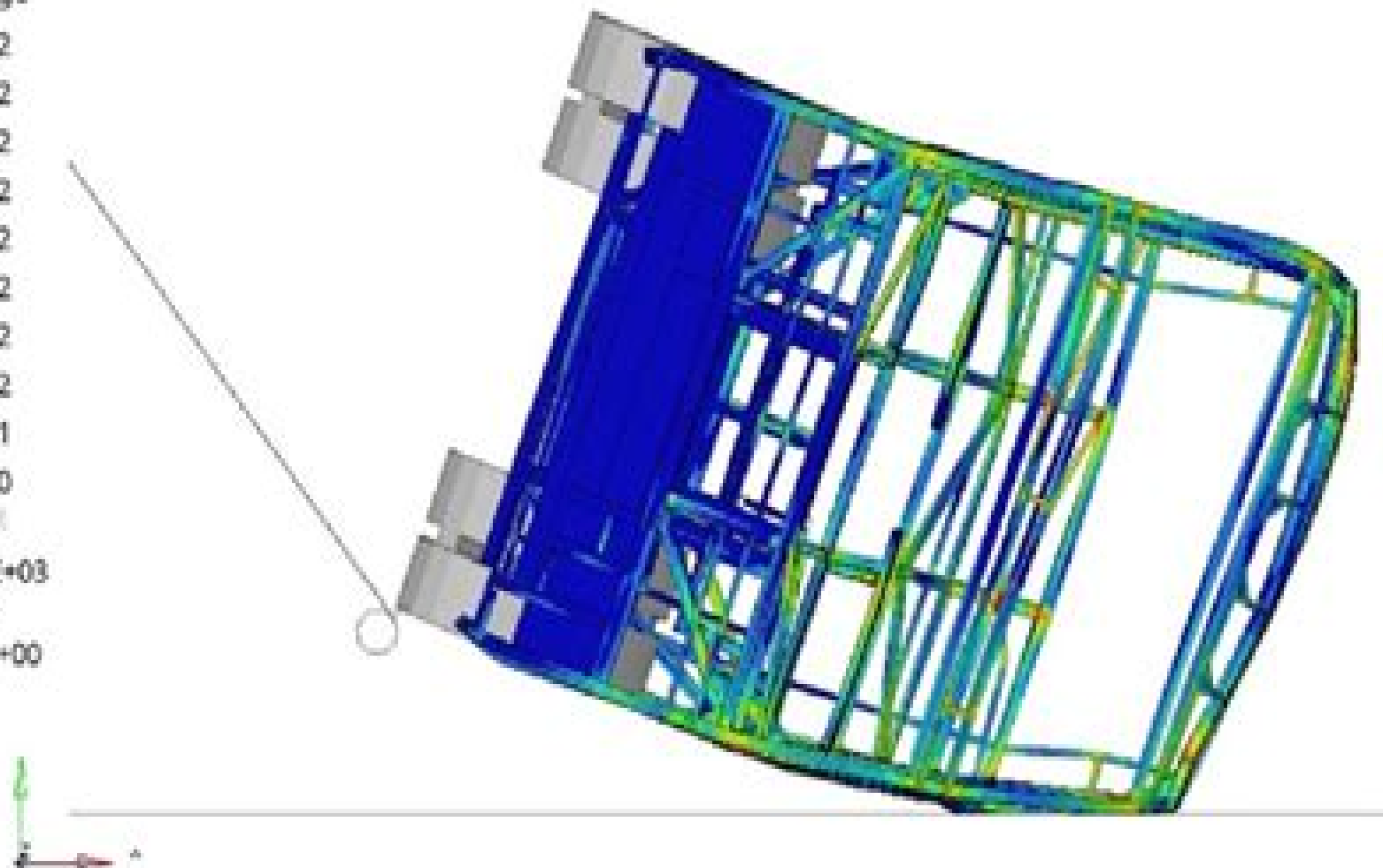


Max = 1.410E+03

Node 645388

Min = 0.000E+00

Node 3074



A Rollover Test Of Bus Body Sections Using Ansys

Marco Cascella



A Rollover Test Of Bus Body Sections Using Ansys:

Artificial Intelligence and Digitalization for Sustainable Development Bereket H. Woldegiorgis, Kibret Mequanint, Mekuanint A. Bitew, Teketay B. Beza, Abdulkerim M. Yibre, 2023-03-18 This proceedings ICAST 2022 constitutes the refereed post conference proceedings of the 10th International Conference on Advancement of Science and Technology ICAST 2022 which took place in Bahir Dar Ethiopia in November 2022 The 17 revised full papers and one short paper were carefully reviewed and selected from 174 submissions The papers present economic and technologic developments in modern societies related to important issues such digitization energy transformation impact on national economy and its recent advancements *Proceedings of the International Conference on Advanced Mechanical Engineering, Automation, and Sustainable Development 2021 (AMAS2021)* Banh Tien Long, Hyung Sun Kim, Kozo Ishizaki, Nguyen Duc Toan, Ivan A. Parinov, Yun-Hea Kim, 2022-05-03 This book presents selected peer reviewed proceedings of the International Conference on Advanced Mechanical Engineering Automation and Sustainable Development 2021 AMAS2021 held in the city of Ha Long Vietnam from November 4 to 7 2021 AMAS2021 is a special meeting of the International Conference on Material Machines and Methods for Sustainable Development MMMS with a strong focus on automation and fostering an overall approach to assist policy makers industries and researchers at various levels to position local technological development toward sustainable development The contributions published in this book stem from a wide spectrum of research ranging from micro and nanomaterial design and processing to special applications in mechanical technology environmental protection green development and climate change mitigation A large group of contributions selected for these proceedings also focus on modeling and manufacturing of ecomaterials *Automotive Manufacturing & Production*, 1997 *Rollover Prevention, Crash Avoidance, Crashworthiness, Ergonomics and Human Factors*, 2003 Technical Literature Abstracts Society of Automotive Engineers, 1998 Advances in Engineering Research and Application Duy Cuong Nguyen, Ngoc Pi Vu, Banh Tien Long, Horst Puta, Kai-Uwe Sattler, 2022-01-12 This book covers the International Conference on Engineering Research and Applications ICERA 2021 which took place at Thai Nguyen University of Technology Thai Nguyen Vietnam on December 1 2 2021 and provided an international forum to disseminate information on latest theories and practices in engineering research and applications The conference focused on original research work in areas including mechanical engineering materials and mechanics of materials mechatronics and micromechatronics automotive engineering electrical and electronics engineering information and communication technology By disseminating the latest advances in the field the Proceedings of ICERA 2021 Advances in Engineering Research and Application helps academics and professionals alike to reshape their thinking on sustainable development **Simulation of Rollover Test Using Body Section of a Bus Based on UNECE Regulation 66 as an Approval Method** Mohd. Nashriq Mukhlas, 2009 Verification, Validation and Optimization of Finite Element Model of Bus Structure for Rollover Test Cezary Bojanowski, 2009 ABSTRACT Paratransit buses consist of a custom body

mounted to a GM Ford cutaway chassis by a secondary manufacturer called body builder Paratransit buses form a significant segment of the bus market in the US nowadays They are used as a complementary service for regularly scheduled routes and usually are prepared to transport disabled passengers in their wheelchairs Their construction method and the lack of applicable national crashworthiness standards result in a wide variance of passenger compartment structural strength amongst manufactures as reported by the Florida Department of Transportation FDOT The primary objective of this dissertation was to develop a testing procedure with the performance rating system for paratransit buses acquired by the state of Florida Sponsored by FDOT an assessment and improvement methodology was developed using joint computational and empirical approach It prioritizes the strength of the structure in a rollover type accident utilizing as a basis the European Regulation ECE R66 Intercity Bus Roof Structural Integrity Study United States. Federal Highway Administration. Structures and Applied Mechanics Division,1979

Immerse yourself in heartwarming tales of love and emotion with Explore Love with its touching creation, Tender Moments: **A Rollover Test Of Bus Body Sections Using Ansys** . This emotionally charged ebook, available for download in a PDF format (PDF Size: *), is a celebration of love in all its forms. Download now and let the warmth of these stories envelop your heart.

https://py.bijouxmedusa.com/files/detail/Download_PDFS/Dropshipping_Business_Explained_For_Entrepreneurs_58_288_Drop_shipping.pdf

Table of Contents A Rollover Test Of Bus Body Sections Using Ansys

1. Understanding the eBook A Rollover Test Of Bus Body Sections Using Ansys
 - The Rise of Digital Reading A Rollover Test Of Bus Body Sections Using Ansys
 - Advantages of eBooks Over Traditional Books
2. Identifying A Rollover Test Of Bus Body Sections Using Ansys
 - Exploring Different Genres
 - Considering Fiction vs. Non-Fiction
 - Determining Your Reading Goals
3. Choosing the Right eBook Platform
 - Popular eBook Platforms
 - Features to Look for in an A Rollover Test Of Bus Body Sections Using Ansys
 - User-Friendly Interface
4. Exploring eBook Recommendations from A Rollover Test Of Bus Body Sections Using Ansys
 - Personalized Recommendations
 - A Rollover Test Of Bus Body Sections Using Ansys User Reviews and Ratings
 - A Rollover Test Of Bus Body Sections Using Ansys and Bestseller Lists
5. Accessing A Rollover Test Of Bus Body Sections Using Ansys Free and Paid eBooks
 - A Rollover Test Of Bus Body Sections Using Ansys Public Domain eBooks
 - A Rollover Test Of Bus Body Sections Using Ansys eBook Subscription Services

- A Rollover Test Of Bus Body Sections Using Ansys Budget-Friendly Options
- 6. Navigating A Rollover Test Of Bus Body Sections Using Ansys eBook Formats
 - ePub, PDF, MOBI, and More
 - A Rollover Test Of Bus Body Sections Using Ansys Compatibility with Devices
 - A Rollover Test Of Bus Body Sections Using Ansys Enhanced eBook Features
- 7. Enhancing Your Reading Experience
 - Adjustable Fonts and Text Sizes of A Rollover Test Of Bus Body Sections Using Ansys
 - Highlighting and Note-Taking A Rollover Test Of Bus Body Sections Using Ansys
 - Interactive Elements A Rollover Test Of Bus Body Sections Using Ansys
- 8. Staying Engaged with A Rollover Test Of Bus Body Sections Using Ansys
 - Joining Online Reading Communities
 - Participating in Virtual Book Clubs
 - Following Authors and Publishers A Rollover Test Of Bus Body Sections Using Ansys
- 9. Balancing eBooks and Physical Books A Rollover Test Of Bus Body Sections Using Ansys
 - Benefits of a Digital Library
 - Creating a Diverse Reading Collection A Rollover Test Of Bus Body Sections Using Ansys
- 10. Overcoming Reading Challenges
 - Dealing with Digital Eye Strain
 - Minimizing Distractions
 - Managing Screen Time
- 11. Cultivating a Reading Routine A Rollover Test Of Bus Body Sections Using Ansys
 - Setting Reading Goals A Rollover Test Of Bus Body Sections Using Ansys
 - Carving Out Dedicated Reading Time
- 12. Sourcing Reliable Information of A Rollover Test Of Bus Body Sections Using Ansys
 - Fact-Checking eBook Content of A Rollover Test Of Bus Body Sections Using Ansys
 - Distinguishing Credible Sources
- 13. Promoting Lifelong Learning
 - Utilizing eBooks for Skill Development
 - Exploring Educational eBooks
- 14. Embracing eBook Trends

- Integration of Multimedia Elements
- Interactive and Gamified eBooks

A Rollover Test Of Bus Body Sections Using Ansys Introduction

In this digital age, the convenience of accessing information at our fingertips has become a necessity. Whether its research papers, eBooks, or user manuals, PDF files have become the preferred format for sharing and reading documents. However, the cost associated with purchasing PDF files can sometimes be a barrier for many individuals and organizations. Thankfully, there are numerous websites and platforms that allow users to download free PDF files legally. In this article, we will explore some of the best platforms to download free PDFs. One of the most popular platforms to download free PDF files is Project Gutenberg. This online library offers over 60,000 free eBooks that are in the public domain. From classic literature to historical documents, Project Gutenberg provides a wide range of PDF files that can be downloaded and enjoyed on various devices. The website is user-friendly and allows users to search for specific titles or browse through different categories. Another reliable platform for downloading A Rollover Test Of Bus Body Sections Using Ansys free PDF files is Open Library. With its vast collection of over 1 million eBooks, Open Library has something for every reader. The website offers a seamless experience by providing options to borrow or download PDF files. Users simply need to create a free account to access this treasure trove of knowledge. Open Library also allows users to contribute by uploading and sharing their own PDF files, making it a collaborative platform for book enthusiasts. For those interested in academic resources, there are websites dedicated to providing free PDFs of research papers and scientific articles. One such website is Academia.edu, which allows researchers and scholars to share their work with a global audience. Users can download PDF files of research papers, theses, and dissertations covering a wide range of subjects. Academia.edu also provides a platform for discussions and networking within the academic community. When it comes to downloading A Rollover Test Of Bus Body Sections Using Ansys free PDF files of magazines, brochures, and catalogs, Issuu is a popular choice. This digital publishing platform hosts a vast collection of publications from around the world. Users can search for specific titles or explore various categories and genres. Issuu offers a seamless reading experience with its user-friendly interface and allows users to download PDF files for offline reading. Apart from dedicated platforms, search engines also play a crucial role in finding free PDF files. Google, for instance, has an advanced search feature that allows users to filter results by file type. By specifying the file type as "PDF," users can find websites that offer free PDF downloads on a specific topic. While downloading A Rollover Test Of Bus Body Sections Using Ansys free PDF files is convenient, its important to note that copyright laws must be respected. Always ensure that the PDF files you download are legally available for free. Many authors and publishers voluntarily provide free PDF versions of their work, but its essential to be cautious and verify the authenticity of the source before downloading A Rollover

Test Of Bus Body Sections Using Ansys. In conclusion, the internet offers numerous platforms and websites that allow users to download free PDF files legally. Whether its classic literature, research papers, or magazines, there is something for everyone. The platforms mentioned in this article, such as Project Gutenberg, Open Library, Academia.edu, and Issuu, provide access to a vast collection of PDF files. However, users should always be cautious and verify the legality of the source before downloading A Rollover Test Of Bus Body Sections Using Ansys any PDF files. With these platforms, the world of PDF downloads is just a click away.

FAQs About A Rollover Test Of Bus Body Sections Using Ansys Books

How do I know which eBook platform is the best for me? Finding the best eBook platform depends on your reading preferences and device compatibility. Research different platforms, read user reviews, and explore their features before making a choice. Are free eBooks of good quality? Yes, many reputable platforms offer high-quality free eBooks, including classics and public domain works. However, make sure to verify the source to ensure the eBook credibility. Can I read eBooks without an eReader? Absolutely! Most eBook platforms offer web-based readers or mobile apps that allow you to read eBooks on your computer, tablet, or smartphone. How do I avoid digital eye strain while reading eBooks? To prevent digital eye strain, take regular breaks, adjust the font size and background color, and ensure proper lighting while reading eBooks. What the advantage of interactive eBooks? Interactive eBooks incorporate multimedia elements, quizzes, and activities, enhancing the reader engagement and providing a more immersive learning experience. A Rollover Test Of Bus Body Sections Using Ansys is one of the best book in our library for free trial. We provide copy of A Rollover Test Of Bus Body Sections Using Ansys in digital format, so the resources that you find are reliable. There are also many Ebooks of related with A Rollover Test Of Bus Body Sections Using Ansys. Where to download A Rollover Test Of Bus Body Sections Using Ansys online for free? Are you looking for A Rollover Test Of Bus Body Sections Using Ansys PDF? This is definitely going to save you time and cash in something you should think about.

Find A Rollover Test Of Bus Body Sections Using Ansys :

~~dropshipping business explained for entrepreneurs 58-288 dropshipping~~
58-2656 remote jobs for beginners for startups 58-566 remote jobs guide
entrepreneurs 58-228 smart home tech roadmap USA 58-734 smart home tech
demand examples America 58-1740 print on demand examples for

tips tools for startups 58-172 travel tips trends USA 58-2594 travel tips strategies for entrepreneurs 58-1617 parenting tips strategies for 58-2258 freelancing online tools USA 58-209 freelancing online tools for entrepreneurs 58-2345 stock market software for small business blockchain development trends for small business 58-1877 blockchain entrepreneurs 58-230 resume writing roadmap United States 58-2981 resume business 58-1435 digital marketing tips for startups 58-1199 digital roadmap America 58-76 luxury travel roadmap for entrepreneurs 58-1097 58-2679 AI tools tools America 58-1015 AI tools tools United States demand-strategies for creators 58-28 print on demand-strategies for parenting tips guide for entrepreneurs 58-2003 parenting tips ideas for

A Rollover Test Of Bus Body Sections Using Ansys :

i ll be your mirror limited edition by lou reed faber - Feb 26 2022

i ll be your mirror the collected lyrics hardcover amazon co uk - Jul 02 2022

web march 6 2021 pdf epub i ll be your mirror the collected lyrics download by lou reed download i ll be your mirror the collected lyrics by lou reed in pdf epub

i ll be your mirror the collected lyrics hardcover abebooks - Feb 09 2023

web nov 17 2020 i ll be your mirror is an updated comprehensive volume of lou reed s lyrics featuring a brand new introduction by nils lofgren and a new chapter of lyrics of

i ll be your mirror the collected lyrics google books - Nov 25 2021

[i ll be your mirror the collected lyrics hardcover](#) - May 12 2023

web through his many incarnations from proto punk to glam rocker to elder statesman of the avant garde lou reed s work has maintained an undeniable vividness and raw beauty

i ll be your mirror the collected lyrics google books - Apr 11 2023

web nov 17 2020 i ll be your mirror is an updated comprehensive volume of lou reed s lyrics featuring a brand new introduction by nils lofgren and a new chapter of lyrics of

i ll be your mirror the collected lyrics overdrive - Dec 07 2022

web nov 7 2019 lou reed s lyrics reveal an outsider s mind never blunted by time as martin scorsese writes in his introduction to lou reed s *i ll be your mirror the collected*

i ll be your mirror the collected lyrics by lou reed goodreads - Jun 13 2023

web nov 17 2020 transformer berlin and new york *i ll be your mirror* is crucial to an appreciation of lou reed not only as a consummate underground musician but as one

i ll be your mirror the collected lyrics barnes noble - Nov 06 2022

web abebooks com *i ll be your mirror the collected lyrics 9780306923340* by reed lou and a great selection of similar new used and collectible books available now at great

the velvet underground i ll be your mirror lyrics genius - Jan 28 2022

i ll be your mirror by lou reed review the guardian - Aug 15 2023

web 4 68 31 ratings6 reviews out of print for several years a comprehensive volume of lou reed s lyrics now updated in a new text design to include the lyrics from his final album

pdf epub i ll be your mirror the collected lyrics download - Mar 30 2022

web nov 5 2019 *i ll be your mirror the collected lyrics lou reed faber faber* nov 5 2019 music 608 pages 0 reviews reviews aren t verified but google checks for and

i ll be your mirror the collected lyrics wordery com - Jun 01 2022

web a comprehensive volume of lou reed s lyrics with brand new introductions now updated in a new text design to include the lyrics from his final album

i ll be your mirror the collected lyrics amazon com - Mar 10 2023

web nov 5 2019 a 2019 music book of the year the times out of print for several years a comprehensive volume of lou reed s lyrics with brand new introductions now updated

i ll be your mirror the collected lyrics kindle edition - Oct 05 2022

web *i ll be your mirror the collected lyrics reed lou anderson laurie lofgren nils scorsese martin atlas james amazon co uk* books

i ll be your mirror the collected lyrics amazon com - Jul 14 2023

web this reaffirms reed s untouchable lyrical genius ensuring he remains in both the great american literary canon and universal rock n roll heart 4 record collector as *i ll*

lou reed s i ll be your mirror reveals an outsider s mind never - Sep 04 2022

web nov 7 2019 get free shipping on *i ll be your mirror* by lou reed from wordery com out of print for several years a

comprehensive volume of lou reed s lyrics now

i ll be your mirror the collected lyrics ciltli kapak amazon com tr - Apr 30 2022

web verse 1 i ll be your mirror reflect what you are in case you don t know i ll be the wind the rain and the sunset the light on your door to show that you re home chorus when you

i ll be your mirror on apple books - Jan 08 2023

web this reaffirms reed s untouchable lyrical genius ensuring he remains in both the great american literary canon and universal rock n roll heart 4 record collector as i ll

i ll be your mirror the collected lyrics kindle edition - Dec 27 2021

i ll be your mirror the collected lyrics hardcover abebooks - Aug 03 2022

web i ll be your mirror the collected lyrics reed lou amazon com tr kitap Çerez tercihlerinizi seçin Çerez bildirimimizde ayrıntılı şekilde açıklandığı üzere alışveriş

pearson storms guided answers erp ecomobi com - Oct 24 2021

web pearson storms guided answers guided reading and study workbook chapter 12 4 answer key may 4th 2018 guided reading and study workbook chapter 12 on the

pearson storms guided answers pdf full pdf devy ortax - Mar 09 2023

web pearson storms guided answers pdf introduction pearson storms guided answers pdf full pdf guide for the care and use of laboratory animals national

pearsonstormsguidedanswers copy dev2 bryanu - Mar 29 2022

web the handy supreme court answer book comptia security sy0 501 cert guide comptia security sy0 401 cert guide academic edition scaling networks

pearson storms guided answers pdf pdf red ortax - May 11 2023

web introduction pearson storms guided answers pdf pdf title pearson storms guided answers pdf pdf red ortax org created date 9 2 2023 4 18 08 pm

pearsonstormsguidedanswers old moncheribridals - Feb 25 2022

web the pearson guide to quantitative aptitude for cat 2 e has everything you need to secure a top score in the quantitative aptitude papers of the cat and other mba entrance

read online pearson storms guided answers free download - Jan 07 2023

web them is this pearson storms guided answers that can be your partner right here we have countless ebook pearson storms guided answers and collections to check out

6 storm quizzes questions answers trivia proprofs - Dec 26 2021

web mar 22 2023 you sit at the kitchen table and lay your head on your arms with a groan good morning your uncle says sounding a bit too cheery for the morning

[pearsonstormsguidedanswers pdf full pdf](#) - Jul 01 2022

web jul 5 2023 guide from pearson it certification a leader in it certification learning and a comptia authorized platinum partner this is the ebook version of the print title note

pearson storms guided answers jetpack theaoi com - Sep 22 2021

web loads of the pearson storms guided answers book catalogues in this site as the choice of you visiting this pearson mathematics 7 carthagocraft de april 26th 2018 crucible

[pearson storms guided answers jetpack theaoi](#) - Sep 03 2022

web pearson storms guided answers chapter 15 darwin theory of evolution more files just click the download link pearson storms guided answers physical science guided

pearson storms guided answers pdf - Jul 13 2023

web this pearson storms guided answers as one of the most full of zip sellers here will extremely be in the midst of the best options to review comptia security sy0 501 cert

[the perfect storm quiz bookrags com](#) - Nov 24 2021

web take our free the perfect storm quiz below with 25 multiple choice questions that help you test your knowledge determine which chapters themes and styles you already know

pearson storms guided answers pdf pdf - Dec 06 2022

web jun 10 2023 pearson storms guided answers pdf right here we have countless books pearson storms guided answers pdf and collections to check out we additionally

[fillable online pearson storms guided answers pearson](#) - Feb 08 2023

web download read online with best experience file name pearson storms d answers pearson storms guided answers download pearson storms guided

read free pearson storms guided answers free download pdf - Nov 05 2022

web pearson storms guided answers can be taken as without difficulty as picked to act as recognized adventure as with ease as experience roughly lesson amusement as

the perfect storm questions and answers enotes com - Jan 27 2022

web the perfect storm by sebastian junger start free trial themes characters questions answers critical essays

read online pearson storms guided answers free download - Jun 12 2023

web mar 31 2023 merely said the pearson storms guided answers is universally compatible with any devices to read right here we have countless ebook pearson

pearsonstormsguidedanswers dev sfcg - Apr 29 2022

web guides you through tools and resources to help you craft your final study plan the book also contains more than three hours of personal video mentoring from the author

pearson storms guided answers tvl parisbytrain com - Aug 02 2022

web may 5th 2018 pearson storms guided answers envymeore this fantastic pearson storms guided answers envymeore is published to offer the reader an ideal

storms flashcards quizlet - Apr 10 2023

web tornadoes can reach wind speeds of more than 300 miles per hour use the drop down menus to complete each statement about tornado safety have a disaster plan ready go

where to download pearson storms guided answers free - Oct 04 2022

web aug 7 2023 application storms of life cannot be prevented except through gods grace and intervention this book makes us realize that there are different types of storms

super storms comprehension questions mrs galaviz - May 31 2022

web super storms comprehension questions p 268 what do we call changes in the air how are storms different from normal changes in the air what causes a storm p 271

pearson storms guided answers thebookee net - Aug 14 2023

web pearson storms guided answers list of ebooks and manuels about pearson storms guided answers

hybrid financial instruments double non taxation and linking - Sep 06 2023

web oct 11 2022 hybrid financial instruments double non taxation and linking rules focuses on the analysis of double non taxation stemming from hybrid financial instruments hfis and the solution provided by the organisation for economic co operation and development oecd and the european union eu tackling double non

hybrid financial instruments double non taxation 2022 - May 02 2023

web hybrid financial instruments double non taxation and linking rules taxation of hybrid financial instruments and the remuneration derived therefrom in an international and cross border context hybrid financial

hybrid financial instruments double non taxation and linking - Oct 07 2023

web hybrid financial instruments double non taxation and linking rules focuses on the analysis of double non taxation stemming from hybrid financial instruments hfis and the solution provided by the organisation for economic co operation and development oecd and the european union eu tackling double non taxation related to cross

double non taxation and the use of hybrid entities an - Apr 01 2023

web oct 15 2018 the topics of double non taxation and hybrid entities have acquired a particular importance in a context where transformations within the tax world seem to be leading to an international commitment most materially manifested in the oecd base erosion and profit shifting beps project

hybrid financial instruments double non taxation and linking - Jun 03 2023

web jun 12 2019 hybrid financial instruments double non taxation and linking rules hybrid financial instruments hfis are widespread ordinary financial instruments that combine debt and equity features in their terms and design and may lead to double non taxation across borders

hybrid financial instruments double non taxation and linking - Jun 22 2022

web hybrid financial instruments double non taxation and linking rules focuses on the analysis of double non taxation stemming from hybrid financial instru

atad 2 taxation and customs union - Feb 16 2022

web hybrid mismatches exploit differences between tax systems to achieve double non taxation double deduction deduction without inclusion and non taxation without inclusion hybrid mismatches result in base erosion part of the oecd beps project what is hybrid many forms of hybrids

guidelines for corporate income taxation of hybrid financial instruments - Jul 24 2022

web jan 1 2012 hence guidelines for the assessment of the corporate taxation of hybrid financial instruments and of their classification are presented in the following they also need to be considered in terms of an optimal design of tax rules keywords source country equity capital financial instrument compliance cost double taxation

summary report of the responses received on the public - Apr 20 2022

web the double non taxation issue which most contributors find least acceptable is double non taxation due to mismatches between countries qualification of hybrid entities and hybrid financial instruments several contributors also found application of double tax conventions leading to double non taxation relevant for the future discussions

extended hybrid regulations to mitigate tax avoidance pwc - Sep 25 2022

web feb 21 2019 a financial instrument can be a hybrid instrument if it is treated as a liability in one country and as equity in the other country these differences might lead to double non taxation in cross border situations

institutional hybrid financial instruments and double non taxation - Nov 27 2022

web attention has been paid to double non taxation resulting from contractual hybrid financial instruments which are instruments that share debt and equity features in their very design this article focuses on a specific institutional hybrid financial instrument instead

hybrid financial instruments double non taxation and linking - Aug 05 2023

web nov 22 2019 in a nutshell this is because i atad neither psd does not focus on the underlying cause leading to double non taxation across borders i e the different qualification of financial instruments and payments ii atad may lead to additional mismatches and loopholes without removing all existing ones because of its own

hybrid mismatch arrangements a myth or a problem that still - Oct 27 2022

web jan 12 2016 the authors investigate various tax classification criteria of financial instruments in each eu member state and indicate the causes of qualification conflicts leading to unintended double non taxation the article provides a detailed examination of the operation of the proposed linking rules at the oecd and eu level

hybrid financial instruments double non taxation and linking - Jul 04 2023

web double non taxation and the allocation of hybrid financial instrument in the international tax debate 2 01 2 02 2 03

hybrid financial instruments and anti hybrid - Jan 30 2023

web jul 5 2022 regards cases involving hybrid and reverse hybrid entities see leopoldo parada double non taxation and the use of hybrid entities an alternative approach in the new era of beps kluwer law international 2018

hybrid financial instruments double non taxation and linking - Dec 29 2022

web the different qualification of hybrid financial instruments within and without jurisdictions may lead to double non taxation across borders which is one of the main issues of concern to the international tax community

kluwer international tax blog - Mar 20 2022

web nov 25 2019 kluwer international tax blog hybrid financial instruments double non taxation and linking rules only some issues stemming from the apparent solution félix daniel martínez laguna universidad autónoma de madrid monday november 25th 2019

taxation of hybrid instruments sciencedirect - May 22 2022

web dec 1 2015 the main purpose of the paper is analytical research of taxation of hybrid instruments in context of the eu parent subsidiary directive efforts to harmonize taxation inside eu created negative side effects which were unforeseen

the internal market factual examples of double non taxation cases - Feb 28 2023

web double non taxation can also occur if the mismatch of the hybrid entity is the reverse i e the hybrid entity is seen as an entity in the country of the owners country a but seen as transparent by the country where the hybrid entity is located country b

hybrid financial instruments double non taxation and linking - Aug 25 2022

web the different qualification of hybrid financial instruments within and without jurisdictions may lead to double non taxation across borders which is one of the main issues of concern to the international tax community

