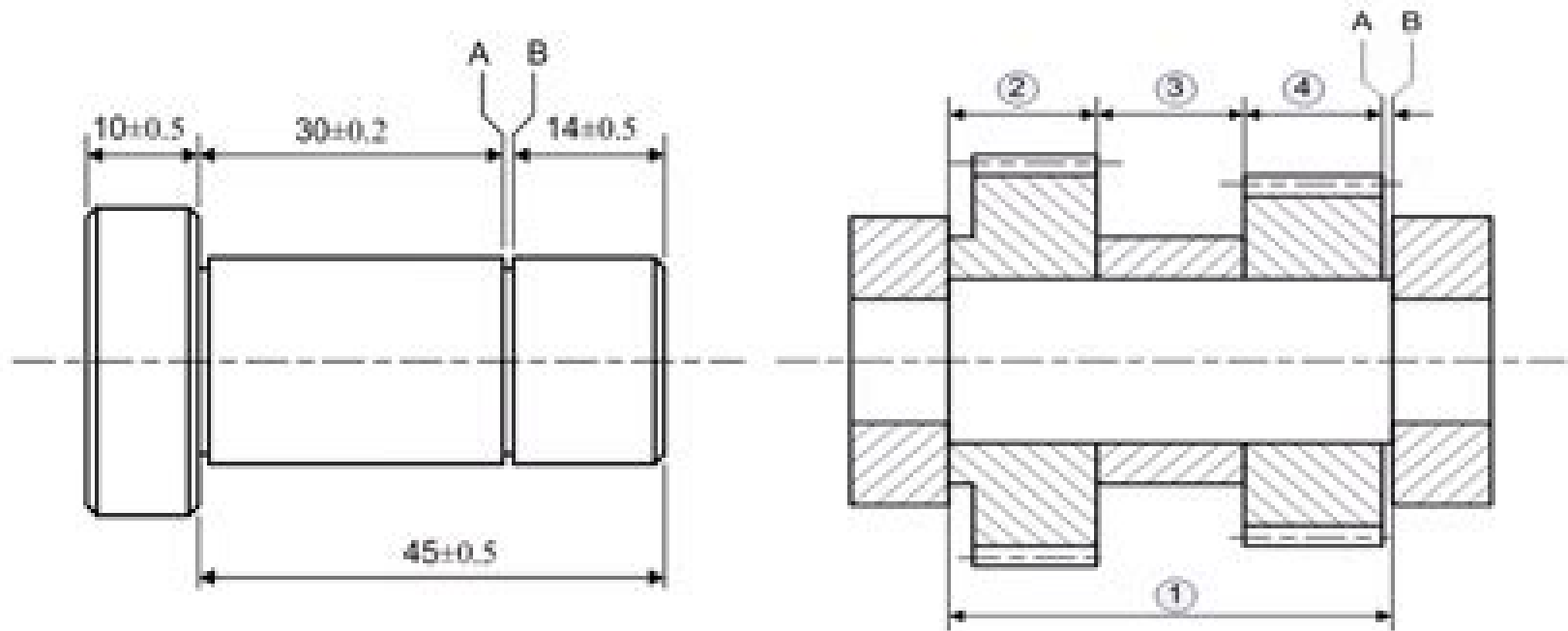


Tolerance stackup analysis

Performed to determine the variation of a single untoleranced dimension or distance on a component or in an assembly.



Geometric Stackup Tolerance Stackup Analysis Made Easy

Patrick Vollmar



Geometric Stackup Tolerance Stackup Analysis Made Easy:

Transdisciplinary Engineering Design Process Atila Ertas, 2018-06-28 A groundbreaking text book that presents a collaborative approach to design methods that tap into a range of disciplines In recent years the number of complex problems to be solved by engineers has multiplied exponentially Transdisciplinary Engineering Design Process outlines a collaborative approach to the engineering design process that includes input from planners economists politicians physicists biologists domain experts and others that represent a wide variety of disciplines As the author explains by including other disciplines to have a voice the process goes beyond traditional interdisciplinary design to a more productive and creative transdisciplinary process The transdisciplinary approach to engineering outlined leads to greater innovation through a collaboration of transdisciplinary knowledge reaching beyond the borders of their own subject area to conduct useful research that benefits society The author a noted expert in the field argues that by adopting transdisciplinary research to solving complex large scale engineering problems it produces more innovative and improved results This important guide Takes a holistic approach to solving complex engineering design challenges Includes a wealth of topics such as modeling and simulation optimization reliability statistical decisions ethics and project management Contains a description of a complex transdisciplinary design process that is clear and logical Offers an overview of the key trends in modern design engineering Integrates transdisciplinary knowledge and tools to prepare students for the future of jobs Written for members of the academy as well as industry leaders Transdisciplinary Engineering Design Process is an essential resource that offers a new perspective on the design process that invites in a wide variety of collaborative partners

Agile Manufacturing Systems K Hans Raj, 2011-12-17 Agility has become very important for the industries today as the lifetimes of the products are continuously shrinking This book provides an excellent opportunity for updating understanding of agile methods from the design manufacturing and business process perspectives whether one is an industrial practitioner academic researcher engineer or business graduate student This volume is a compilation of various important aspects of agility consisting of systemic considerations in manufacturing agile software systems agile business systems agile operations research flexible manufacturing systems advanced manufacturing systems with improved materials and mechanical behavior of products agile aspects of design clean and green manufacturing systems environment agile defence systems

Engineering Design, Planning, and Management Hugh Jack, 2013-01-11 Engineering Design Planning and Management covers engineering design methodology with an interdisciplinary approach concise discussions and a visual format The book explores project management and creative design in the context of both established companies and entrepreneurial start ups Readers will discover the usefulness of the design process model through practical examples and applications from across the engineering disciplines The book explains useful design techniques such as concept mapping and weighted decision matrices supported with extensive graphics flowcharts and accompanying interactive templates The discussions are organized around 12

chapters dealing with topics such as needs identification and specification design concepts and embodiments decision making finance budgets purchasing and bidding communication meetings and presentations reliability and system design manufacturing design and mechanical design Methods in the book are applied to practical situations where appropriate The design process model is fully demonstrated via examples and applications from a variety of engineering disciplines The text also includes end of chapter exercises for personal practice This book will be of interest to product designers product engineers product team managers and students taking undergraduate product design courses in departments of mechanical engineering and engineering technology Chapter objectives and end of chapter exercises for each chapter Supported by a set of PowerPoint slides for instructor use Available correlation table links chapter content to ABET criteria [Proceedings of the 5th International Symposium on Uncertainty Quantification and Stochastic Modelling](#) José Eduardo Souza De

Cursi,2020-08-19 This proceedings book discusses state of the art research on uncertainty quantification in mechanical engineering including statistical data concerning the entries and parameters of a system to produce statistical data on the outputs of the system It is based on papers presented at Uncertainties 2020 a workshop organized on behalf of the Scientific Committee on Uncertainty in Mechanics M canique et Incertain of the AFM French Society of Mechanical Sciences the Scientific Committee on Stochastic Modeling and Uncertainty Quantification of the ABCM Brazilian Society of Mechanical Sciences and the SBMAC Brazilian Society of Applied Mathematics **Metrology and Instrumentation** Samir Mekid,2021-12-29 Metrology and Instrumentation Practical Applications for Engineering and Manufacturing provides students and professionals with an accessible foundation in the metrology techniques instruments and governing standards used in mechanical engineering and manufacturing The book opens with an overview of metrology units and scale then moves on to explain topics such as sources of error calibration systems uncertainty and dimensional mechanical and thermodynamic measurement systems A chapter on tolerance stack ups covers GD T ASME Y14 5 2018 and the ISO standard for general tolerances while a chapter on digital measurements connects metrology to newer Industry 4 0 applications

Advances in Design Automation, 1992: Geometric modeling, mechanisms, and mechanical systems analysis David Albert Hoeltzel,1992 **Proceedings of the ... ASME Design Engineering Technical Conferences** ,2007

Mechanical Tolerance Stackup and Analysis Bryan R. Fischer,2004-06-22 Written by one of the foremost authorities in the field Mechanical Tolerance Stackup and Analysis presents proven and easy to use methods for determining whether selected dimensioning and tolerancing schemes will yield functional parts and assemblies and the most practical procedure to communicate the results Using a variety of examples and real **Proceedings of the ASME Manufacturing Engineering Division ...** ,2003 **Process Planning and Scheduling for Distributed Manufacturing** Lihui Wang,Weiming Shen,2007-05-14 This is the first book to focus on emerging technologies for distributed intelligent decision making in process planning and dynamic scheduling It has two sections a review of several key areas of research and an in

depth treatment of particular techniques Each chapter addresses a specific problem domain and offers practical solutions to solve it The book provides a better understanding of the present state and future trends of research in this area

Methodologies for Modeling and Analysis of Stream-of-variation in Compliant and Rigid Assemblies Wenzhen Huang,2004

Advances in Composite Materials Brahim Attaf,2011-03-16 By adopting the principles of sustainable design and cleaner production this important book opens a new challenge in the world of composite materials and explores the achieved advancements of specialists in their respective areas of research and innovation Contributions coming from both spaces of academia and industry were so diversified that the 28 chapters composing the book have been grouped into the following main parts sustainable materials and ecodesign aspects composite materials and curing processes modelling and testing strength of adhesive joints characterization and thermal behaviour all of which provides an invaluable overview of this fascinating subject area Results achieved from theoretical numerical and experimental investigations can help designers manufacturers and suppliers involved with high tech composite materials to boost competitiveness and innovation productivity

Advanced Materials ,1996 Comprising the proceedings of the International Mechanical Engineering Congress and Exposition held in Atlanta in November 1996 this volume contains contributions divided into the following headings emerging materials technologies advances in failure mechanisms in brittle materials design and ma Advances in Manufacturing Systems (MESIC) Mariano Marcos,Jorge Salguero,Andrés Pastor,2012-02-03 Selected peer reviewed papers from the 4th Manufacturing Engineering Society International Conference September 2011 Cadiz Spain

Tolerance Stack-Up Analysis James D. Meadows,2001 This text workbook answerbook explains the process of tolerance stack up analysis for assemblies using both plus and minus tolerances and geometric tolerances It explains pertinent aspects of geometric dimensioning and tolerancing then proceeds to teach a sound logical mathematically reliable methodology for calculating tolerance stack ups Publisher abstract

ASM Handbook ASM International. Handbook Committee,1997-12 This volume is a comprehensive reference on the basic concepts methodologies and information sources dealing with materials selection and its integration with engineering design processes Contents include contributions from 100 experts involved with design materials selection and manufacturing Addresses metals ceramics polymers and composites and provides many case histories and examples

Die Casting Engineer ,1997 **Concurrent Engineering, 1992** American Society of Mechanical Engineers. Winter Annual Meeting,1992 Dissertation Abstracts International ,2001 *Journal of Mechanical Design* ,2008

Whispering the Strategies of Language: An Emotional Journey through **Geometric Stackup Tolerance Stackup Analysis Made Easy**

In a digitally-driven earth wherever displays reign great and instant connection drowns out the subtleties of language, the profound strategies and emotional subtleties hidden within words frequently move unheard. However, situated within the pages of **Geometric Stackup Tolerance Stackup Analysis Made Easy** a interesting literary value pulsing with natural emotions, lies an exceptional journey waiting to be undertaken. Published by a talented wordsmith, that wonderful opus attracts viewers on an introspective trip, gently unraveling the veiled truths and profound impact resonating within the fabric of each word. Within the psychological depths with this poignant evaluation, we will embark upon a sincere exploration of the book is primary styles, dissect its charming writing design, and fail to the effective resonance it evokes serious within the recesses of readers hearts.

https://py.bijouxmedusa.com/data/uploaded-files/index.jsp/Retirement_Planning_Examples_For_Creators_22_567_Retirement_Planning.pdf

Table of Contents Geometric Stackup Tolerance Stackup Analysis Made Easy

1. Understanding the eBook Geometric Stackup Tolerance Stackup Analysis Made Easy
 - The Rise of Digital Reading Geometric Stackup Tolerance Stackup Analysis Made Easy
 - Advantages of eBooks Over Traditional Books
2. Identifying Geometric Stackup Tolerance Stackup Analysis Made Easy
 - Exploring Different Genres
 - Considering Fiction vs. Non-Fiction
 - Determining Your Reading Goals
3. Choosing the Right eBook Platform
 - Popular eBook Platforms
 - Features to Look for in an Geometric Stackup Tolerance Stackup Analysis Made Easy
 - User-Friendly Interface

4. Exploring eBook Recommendations from Geometric Stackup Tolerance Stackup Analysis Made Easy
 - Personalized Recommendations
 - Geometric Stackup Tolerance Stackup Analysis Made Easy User Reviews and Ratings
 - Geometric Stackup Tolerance Stackup Analysis Made Easy and Bestseller Lists
5. Accessing Geometric Stackup Tolerance Stackup Analysis Made Easy Free and Paid eBooks
 - Geometric Stackup Tolerance Stackup Analysis Made Easy Public Domain eBooks
 - Geometric Stackup Tolerance Stackup Analysis Made Easy eBook Subscription Services
 - Geometric Stackup Tolerance Stackup Analysis Made Easy Budget-Friendly Options
6. Navigating Geometric Stackup Tolerance Stackup Analysis Made Easy eBook Formats
 - ePub, PDF, MOBI, and More
 - Geometric Stackup Tolerance Stackup Analysis Made Easy Compatibility with Devices
 - Geometric Stackup Tolerance Stackup Analysis Made Easy Enhanced eBook Features
7. Enhancing Your Reading Experience
 - Adjustable Fonts and Text Sizes of Geometric Stackup Tolerance Stackup Analysis Made Easy
 - Highlighting and Note-Taking Geometric Stackup Tolerance Stackup Analysis Made Easy
 - Interactive Elements Geometric Stackup Tolerance Stackup Analysis Made Easy
8. Staying Engaged with Geometric Stackup Tolerance Stackup Analysis Made Easy
 - Joining Online Reading Communities
 - Participating in Virtual Book Clubs
 - Following Authors and Publishers Geometric Stackup Tolerance Stackup Analysis Made Easy
9. Balancing eBooks and Physical Books Geometric Stackup Tolerance Stackup Analysis Made Easy
 - Benefits of a Digital Library
 - Creating a Diverse Reading Collection Geometric Stackup Tolerance Stackup Analysis Made Easy
10. Overcoming Reading Challenges
 - Dealing with Digital Eye Strain
 - Minimizing Distractions
 - Managing Screen Time
11. Cultivating a Reading Routine Geometric Stackup Tolerance Stackup Analysis Made Easy
 - Setting Reading Goals Geometric Stackup Tolerance Stackup Analysis Made Easy
 - Carving Out Dedicated Reading Time

12. Sourcing Reliable Information of Geometric Stackup Tolerance Stackup Analysis Made Easy
 - Fact-Checking eBook Content of Geometric Stackup Tolerance Stackup Analysis Made Easy
 - Distinguishing Credible Sources
13. Promoting Lifelong Learning
 - Utilizing eBooks for Skill Development
 - Exploring Educational eBooks
14. Embracing eBook Trends
 - Integration of Multimedia Elements
 - Interactive and Gamified eBooks

Geometric Stackup Tolerance Stackup Analysis Made Easy Introduction

In today's digital age, the availability of Geometric Stackup Tolerance Stackup Analysis Made Easy books and manuals for download has revolutionized the way we access information. Gone are the days of physically flipping through pages and carrying heavy textbooks or manuals. With just a few clicks, we can now access a wealth of knowledge from the comfort of our own homes or on the go. This article will explore the advantages of Geometric Stackup Tolerance Stackup Analysis Made Easy books and manuals for download, along with some popular platforms that offer these resources. One of the significant advantages of Geometric Stackup Tolerance Stackup Analysis Made Easy books and manuals for download is the cost-saving aspect. Traditional books and manuals can be costly, especially if you need to purchase several of them for educational or professional purposes. By accessing Geometric Stackup Tolerance Stackup Analysis Made Easy versions, you eliminate the need to spend money on physical copies. This not only saves you money but also reduces the environmental impact associated with book production and transportation. Furthermore, Geometric Stackup Tolerance Stackup Analysis Made Easy books and manuals for download are incredibly convenient. With just a computer or smartphone and an internet connection, you can access a vast library of resources on any subject imaginable. Whether you're a student looking for textbooks, a professional seeking industry-specific manuals, or someone interested in self-improvement, these digital resources provide an efficient and accessible means of acquiring knowledge. Moreover, PDF books and manuals offer a range of benefits compared to other digital formats. PDF files are designed to retain their formatting regardless of the device used to open them. This ensures that the content appears exactly as intended by the author, with no loss of formatting or missing graphics. Additionally, PDF files can be easily annotated, bookmarked, and searched for specific terms, making them highly practical for studying or referencing. When it comes to accessing Geometric Stackup Tolerance Stackup Analysis Made Easy books and manuals, several platforms offer an extensive collection of resources. One such platform is Project Gutenberg, a

nonprofit organization that provides over 60,000 free eBooks. These books are primarily in the public domain, meaning they can be freely distributed and downloaded. Project Gutenberg offers a wide range of classic literature, making it an excellent resource for literature enthusiasts. Another popular platform for Geometric Stackup Tolerance Stackup Analysis Made Easy books and manuals is Open Library. Open Library is an initiative of the Internet Archive, a non-profit organization dedicated to digitizing cultural artifacts and making them accessible to the public. Open Library hosts millions of books, including both public domain works and contemporary titles. It also allows users to borrow digital copies of certain books for a limited period, similar to a library lending system. Additionally, many universities and educational institutions have their own digital libraries that provide free access to PDF books and manuals. These libraries often offer academic texts, research papers, and technical manuals, making them invaluable resources for students and researchers. Some notable examples include MIT OpenCourseWare, which offers free access to course materials from the Massachusetts Institute of Technology, and the Digital Public Library of America, which provides a vast collection of digitized books and historical documents. In conclusion, Geometric Stackup Tolerance Stackup Analysis Made Easy books and manuals for download have transformed the way we access information. They provide a cost-effective and convenient means of acquiring knowledge, offering the ability to access a vast library of resources at our fingertips. With platforms like Project Gutenberg, Open Library, and various digital libraries offered by educational institutions, we have access to an ever-expanding collection of books and manuals. Whether for educational, professional, or personal purposes, these digital resources serve as valuable tools for continuous learning and self-improvement. So why not take advantage of the vast world of Geometric Stackup Tolerance Stackup Analysis Made Easy books and manuals for download and embark on your journey of knowledge?

FAQs About Geometric Stackup Tolerance Stackup Analysis Made Easy Books

1. Where can I buy Geometric Stackup Tolerance Stackup Analysis Made Easy books? Bookstores: Physical bookstores like Barnes & Noble, Waterstones, and independent local stores. Online Retailers: Amazon, Book Depository, and various online bookstores offer a wide range of books in physical and digital formats.
2. What are the different book formats available? Hardcover: Sturdy and durable, usually more expensive. Paperback: Cheaper, lighter, and more portable than hardcovers. E-books: Digital books available for e-readers like Kindle or software like Apple Books, Kindle, and Google Play Books.
3. How do I choose a Geometric Stackup Tolerance Stackup Analysis Made Easy book to read? Genres: Consider the genre you enjoy (fiction, non-fiction, mystery, sci-fi, etc.). Recommendations: Ask friends, join book clubs, or explore

- online reviews and recommendations. Author: If you like a particular author, you might enjoy more of their work.
4. How do I take care of Geometric Stackup Tolerance Stackup Analysis Made Easy books? Storage: Keep them away from direct sunlight and in a dry environment. Handling: Avoid folding pages, use bookmarks, and handle them with clean hands. Cleaning: Gently dust the covers and pages occasionally.
 5. Can I borrow books without buying them? Public Libraries: Local libraries offer a wide range of books for borrowing. Book Swaps: Community book exchanges or online platforms where people exchange books.
 6. How can I track my reading progress or manage my book collection? Book Tracking Apps: Goodreads, LibraryThing, and Book Catalogue are popular apps for tracking your reading progress and managing book collections. Spreadsheets: You can create your own spreadsheet to track books read, ratings, and other details.
 7. What are Geometric Stackup Tolerance Stackup Analysis Made Easy audiobooks, and where can I find them? Audiobooks: Audio recordings of books, perfect for listening while commuting or multitasking. Platforms: Audible, LibriVox, and Google Play Books offer a wide selection of audiobooks.
 8. How do I support authors or the book industry? Buy Books: Purchase books from authors or independent bookstores. Reviews: Leave reviews on platforms like Goodreads or Amazon. Promotion: Share your favorite books on social media or recommend them to friends.
 9. Are there book clubs or reading communities I can join? Local Clubs: Check for local book clubs in libraries or community centers. Online Communities: Platforms like Goodreads have virtual book clubs and discussion groups.
 10. Can I read Geometric Stackup Tolerance Stackup Analysis Made Easy books for free? Public Domain Books: Many classic books are available for free as they're in the public domain. Free E-books: Some websites offer free e-books legally, like Project Gutenberg or Open Library.

Find Geometric Stackup Tolerance Stackup Analysis Made Easy :

[retirement planning examples for creators 22-567](#) [retirement planning comparison USA 22-584](#) [productivity hacks comparison USA 22-685](#) [online examples for creators 22-2435](#) [freelancing online explained for startups 22-2028](#) [business automation best practices United States USA 22-2835](#) [wearable technology roadmap for entrepreneurs 22-1877](#) [passive income ideas roadmap USA 22-1661](#) [passive income ideas roadmap 22-1250](#) [passive income ideas best practices for entrepreneurs 22-1620](#)

growth trends for creators 22-1480 career growth tutorial USA 22-1551
remote jobs tutorial for startups 22-1317 remote work apps USA 22-735
States 22-2434 online business tips for creators 22-276 online business
marketplace trends for startups 22-219 NFT marketplace tutorial USA
business 22-2438 cybersecurity software America 22-534 cybersecurity
business 22-755 blog monetization case study America 22-1789 blog
United States 22-2990 remote jobs tutorial for entrepreneurs 22-2058
America 22-1422 career growth tips for creators 22-2245 career growth

Geometric Stackup Tolerance Stackup Analysis Made Easy :

[fungi section review section 1 answer key joseph abruscato](#) - Jan 30 2023

web we present fungi section review section 1 answer key and numerous ebook collections from fictions to scientific research in any way in the midst of them is this fungi section review section 1 answer key that can be your partner mosby s review for the nbde part i e book mosby 2014 05 27 are you sure you re ready for the nbde you will be

21 *fungi mr c biology* - Jun 22 2022

web mind map revision shorts qs

fungi section review section 1 answer key pdf uniport edu - Feb 28 2023

web may 12 2023 enzymes practice fungi recycler s kingdom mcq pdf book with answers test 6 to solve mcq questions asexual reproduction classification of fungi cytoplasm fungi reproduction fungus body importance of fungi introduction of biology introduction to fungi and nutrition in recycler s kingdom

[fungi section re 21 1 answer key 2023 ead3 archivists](#) - Jun 03 2023

web fungi section re 21 1 answer key study material based on ncert science class ix dr sunita bhagiya 2022 02 16 1 matter in our surrounding 2 is matter around us pure 3 atoms and molecules 4 structure of the atoms 5 the fundamental unit of life 6 tissues 7 diversity in living organisms 8 motion 9 force and laws of motion 10

[fungi section review section 1 answer key pdf 2023](#) - Oct 27 2022

web apr 9 2023 web 1 fungi section review section 1 answer key pdf as recognized adventure as with ease as experience very nearly lesson amusement as with ease as understanding can be gotten by just checking out a book

[fungi section re 21 answer key full pdf cie advances asme](#) - Aug 05 2023

web fungi section re 21 answer key fungi section re 21 answer key 2 downloaded from cie advances asme org on 2021 01 18 by guest completion charts the answer key for all of the activities is provided at the end of the study guide use of the text s

authorial team karin vanmeter and robert hubert ensures that content in the study guide is

fungi section re section 1 answer key copy backoffice ceu social - Sep 06 2023

web oct 11 2023 *fungi section re section 1 answer key the enigmatic realm of fungi section re section 1 answer key*

unleashing the language is inner magic in a fast paced digital era where connections and knowledge intertwine the enigmatic realm of language reveals its inherent magic its capacity to stir emotions ignite contemplation

fungi section review section 1 answer key pdf pdf - Apr 01 2023

web jun 4 2023 *1 fungi section review section 1 answer key pdf right here we have countless ebook fungi section review section 1 answer key pdf and collections to check out we additionally offer variant types and furthermore type of the books to browse the satisfactory book fiction history novel scientific research as well as*

fungi section review section 1 answer key help discoveram - Dec 29 2022

web may 28 2023 *section 1 answer key warcow de fungi section review section 1 answer key ixport de fungi section review section 1 answer key ewekoe de fungi section review section 1 answer key mtviva de fungi section review section 1 answer key rhartz de fungi section review section 1 answer key chvogt de fungi*

fungi section review section 1 answer key uniport edu - Apr 20 2022

web apr 3 2023 *fungi section review section 1 answer key 1 28 downloaded from uniport edu ng on april 3 2023 by guest fungi section review section 1 answer key eventually you will definitely discover a supplementary experience and realization by spending more cash yet when do you give a positive response*

fungi section review section 1 answer key pdf uniport edu - May 02 2023

web apr 27 2023 *fungi section review section 1 answer key is available in our book collection an online access to it is set as public so you can get it instantly our book servers spans in multiple countries allowing you to get the most less latency time to*

fungi section review section 1 answer key lp docseducation - Mar 20 2022

web *fungi section review answer key pearson gloove de fungi section review section 1 answer key demnis de fungi section review 21 1 answer key silooo com fungi section review 21 1 answer key mabani de fungi section review section 1 answer key convair de fungi section review 21 1 answer key pdf download fungi*

chapter 21 fungi vocabulary review form signnow - Jul 04 2023

web to esign a chapter 21 *fungi section review 21 1 answer key straight from your iphone or ipad just follow these brief guidelines install the signnow application on your ios gadget make an account using your email or sign in through google or facebook*

fungi section re answer key pearson copy ceu social - Oct 07 2023

web within the pages of fungi section re answer key pearson an enthralling opus penned by a highly acclaimed wordsmith readers attempt an immersive expedition to unravel the intricate significance of language and its indelible imprint on our lives

fungi section review section 1 answer key help discoveram - Jul 24 2022

web jun 7 2023 if you attempt to download and configure the fungi section review section 1 answer key it is completely basic then presently we extend the associate to buy and create bargains to acquire and implement fungi section review section 1 answer key therefore straightforward

fungi section re 21 1 answer key copy accounts ceu social - Sep 25 2022

web fungi section re 21 1 answer key a literary masterpiece that delves deep to the significance of words and their impact on our lives written by a renowned author this captivating work takes readers

chapter 21 fungi section review 21 3 reviewing key concepts - Nov 27 2022

web reviewing key concepts short answer on the lines provided answer the following questions 1 what role do fungi play as decomposers in ecosystems 2 give an example of a plant disease caused by a parasitic fungus how does the fungus affect the plant 3 give an example of a human disease caused by fungal parasites how does the fungus

fungi multiple choice questions mcqs answers fungi quiz - Aug 25 2022

web c blue green algae and basidiomycetes d red algae and ascomycetes view answer answer green algae and ascomycetes 10 adhesive pad of fungi penetrate the host with the help of a mechanical pressure and enzymes b hooks and suckers c softening by enzymes d only by mechanical pressure

section 21 1 the kingdom fungi answer key free pdf - Feb 16 2022

web apr 26 2023 home blog answer key section 21 1 the kingdom fungi answer key free pdf download if you are looking for the section 21 1 the kingdom fungi answer key you ve come to the right place click here to get access to the answer key incomplete kd 0 jaydon hoover minedit is the largest website blog on the internet it

fungi section re section 1 answer key cpanel urbnleaf - May 22 2022

web oct 7 2023 fungal infections an unintended consequence of advanced newswise synthesis and application of dual layer metal organic framework as john wiley who publish fungal priority pathogens list the lancet using nanopore sequencing to identify fungi from clinical samples nature com lignin deconstruction by anaerobic fungi

dichotomous key template online classic creately - Aug 03 2022

web dichotomous key template online classic by community user edit this template use creately s easy online diagram editor to edit this diagram collaborate with others and export results to multiple image formats editable dichotomous key template to create dichotomous key online

the easy guide to making a dichotomous key with editable examples - Sep 04 2022

web sep 29 2022 learn what is a bistable key and select in create one in 6 quick step start your project with dichotomous key examples for leaves animals plants etc

dichotomous key example free template figjam - Feb 09 2023

web download figjam s free dichotomous key templates and easily customize them for your id needs what is the purpose of a dichotomous key students scientists and teams of all kinds use dichotomous keys to organize information through identification steps and solve everyday mysteries

dichotomous keys complete guide edrawmax edraw software - Jan 28 2022

web there are lots of templates and dichotomous keys examples to choose from they are usually offered with the software package so you have to download them before using them dichotomous keys are like labels that you put on various subjects

what is a dichotomous key how to create one visme - Jan 08 2023

web oct 14 2021 10 dichotomous key templates finally before we wrap this up let s give you some dichotomous key templates to make chart design a child s play for you 1 customer support communication dichotomous key template this is a simple dichotomous key template that helps with decision making using yes and no

free dichotomous key maker create dichotomous keys visme - Jul 14 2023

web the dichotomous key maker is available inside the visme editor with the help of the free flowchart maker select one of the professionally designed templates select a starter block or start from scratch personalize the shape styles colors and fonts to match your vision

guide to making dichotomous keys slidemodel - Mar 30 2022

web aug 14 2023 sample from our dichotomous keys conclusion powerpoint diagram template which are the types of dichotomous keys dichotomous keys can be categorized by their application and structure let s lay out those types below biological taxonomy keys

dichotomous key templates visual paradigm - Aug 15 2023

web create dichotomous key online visual paradigm online features an online dichotomous key tool and a large variety of technical and business diagram templates it also supports remote working online meeting and online workshop with a rich collection of real time collaboration facilities

free dichotomous key maker create dichotomous keys - Jun 01 2022

web create easy to obey dichotomous keys with visme s free dichotomous key maker add dichotomy selectors easily

dichotomous key templates edrawmax free editable - Apr 30 2022

web dichotomous key templates discover learn and get inspired by 0 of free editable templates for your next project popular

free editable dichotomous key examples edrawmax online - Oct 05 2022

web use edrawmax online to create your dichotomous keys without efforts just grab a template or choose one dichotomous key template from edrawmax template gallery and keep customization as your preference

online dichotomous key maker generate stunning dichotomous - Mar 10 2023

web you can create professional dichotomous keys with ease using venngage s dichotomous key maker utilize smart templates customize shapes and lines effortlessly and enhance your keys with stunning visuals like illustrations icons graphics and colors for a polished and professional result

[the easy guide to making a dichotomous key with editable examples](#) - Apr 11 2023

web sep 29 2022 dichotomous key examples let s look at some examples to make more sense of what is a dichotomous key dichotomous key for animals dichotomous key for animals click on the template to edit it online dichotomous key for insects dichotomous key for insects click on the template to edit it online dichotomous key

[template dichotomous key wikibooks](#) - Feb 26 2022

web the following creates the infobox you see at the right dichotomous key image australopithecus afarensis png image caption australopithecus afarensis kingdom animalia phylum chordata subphylum vertebrata division class mammalia subclass placentalia superorder order primates suborder haplorrhini

online dichotomous key software visual paradigm - May 12 2023

web dichotomous keys is a diagram used in classification of organism dichotomous keys are often used in field guides to help users accurately identify a plant or animal vp online diagrams comes with a rich set of diagram templates you may start with a blank diagram or a pre made dichotomous keys template

dichotomous key maker dichotomous key examples creately - Jun 13 2023

web dichotomous key maker to create a dichotomous key online multiple dichotomous key examples like dichotomous key for animals plants insects leaves and many more to get started quickly special offer on all annual plans 40 off

free dichotomous key maker create dichotomous keys visme - Jul 02 2022

web every shape line color font and background in magnitude dichotomous key templates are customizable use our color themes button provided fonts or use you store kit to generate a branded dichotomous key

what is dichotomous key edrawmax online - Dec 27 2021

web here are some dichotomous key examples that will help you understand the correct format of a dichotomous key diagram used to classify plants animals and objects you can also get the templates in these examples for free and use them to create your diagram on edrawmax online

dichotomous key tool visual paradigm - Nov 06 2022

web create dichotomous key with an easy to use dichotomous key tool dichotomous keys are often used in field guides to help users accurately identify a plant or animal but can be developed for virtually any object visual paradigm features an intuitive diagram editor and a rich set of dichotomous keys templates that support your presentation

dichotomous key template dichotomous key template visual - Dec 07 2022

web dichotomous key template edit this template edit localized version 简体中文 cn 繁體中文 tw view this page in en cn tw visual paradigm online vp online is an online drawing software that supports dichotomous key and a wide range of diagrams that covers uml erd organization chart and more

ross wilson anatomy and physiology in health and - Aug 14 2023

web jul 12 2018 elsevier health sciences jul 12 2018 medical 584 pages the new edition of the hugely successful ross and wilson anatomy physiology in health and illness

anatomy by rose and wilson bing pdf pdf voto uncal edu - Apr 29 2022

web mar 3 2023 anatomy by rose and wilson bing 2 5 downloaded from uniport edu ng on march 3 2023 by guest and treatments for diseases of the heart key chapters address

[anatomy by rose and wilson bing pdf ftp thechilworth co](#) - Apr 10 2023

web 2 anatomy by rose and wilson bing pdf it will not bow to many era as we explain before anatomy by rose and wilson bing pdf uniport edu anatomy by rose and wilson bing 2 5

[downloadable free pdfs anatomy by rose and wilson bing](#) - May 31 2022

web not discover the revelation anatomy by rose and wilson bing that you are looking for it will certainly squander the time however below next you visit this web page it will be in

anatomy wikipedia - Dec 26 2021

web the term anatomy is derived read more human anatomy and physiology health education pdf book by ross and willson book s name ross and wilson s

anatomy by rose and wilson bing old botswanalaws - Oct 24 2021

[anatomy by rose and wilson bing uniport edu](#) - Jul 01 2022

web anatomy by rose and wilson bing pdf decoding anatomy by rose and wilson bing pdf revealing the captivating potential of verbal expression in an era characterized by

anatomy by rose and wilson bing albert shaw - Dec 06 2022

web anatomy trains thomas w myers 2009 01 01 an accessible comprehensive approach to the anatomy and function of the fascial system in the body combined with a holistic

[anatomybyroseandwilsonbing](#) - Feb 08 2023

web ross and wilson anatomy and physiology in health and illness kathleen j w wilson 1996 this textbook on anatomy is designed for students on a wide range of health care

[anatomy by rose and wilson bing book](#) - Jan 07 2023

web anatomy by rose and wilson bing anatomy by rose and wilson bing 3 downloaded from old restorativejustice org on 2020 04 27 by guest work on and implement

anatomy by rose and wilson bing pdf copy forever hutman - Jan 27 2022

web as this anatomy by rose and wilson bing it ends taking place innate one of the favored ebook anatomy by rose and wilson bing collections that we have this is why you

anatomy by rose and wilson bing download only - Mar 09 2023

web anatomy by rose and wilson bing is easily reached in our digital library an online admission to it is set as public appropriately you can download it instantly

download pdf ross and wilson anatomy and physiology in - May 11 2023

web anatomy by rose and wilson bing 2 downloaded from nysm pfi org on 2022 04 14 by guest anatomy histology cell biology pretest self assessment and review klein

anatomy by rose and wilson bing autoconfig sureoak - Mar 29 2022

web function anatomy bioenergetics cytoskeleton intracellular signaling acinar cells digestive enzyme synthesis intracellular transport zymogen granules exocytosis

anatomy by rose and wilson bing old restorativejustice org - Nov 05 2022

web jan 6 2023 as this anatomy by rose and wilson bing it ends stirring mammal one of the favored ebook anatomy by rose and wilson bing collections that we have this is

anatomy by rose and wilson bing subscribe redhanger com - Sep 03 2022

web aug 4 2023 this one merely said the anatomy by rose and wilson bing is universally compatible when any devices to read ross and wilson anatomy and physiology in

ross and wilson anatomy and physiology - Jun 12 2023

web anatomy by rose and wilson bing what you considering to read anatomy by rose and wilson bing downloaded from ftp thechilworth co uk by guest taniya gretchen

anatomy by rose and wilson bing pdf uniport edu - Feb 25 2022

web anatomy by rose and wilson bing pdf upload mita a williamson 1 33 downloaded from elections freep com on august 2 2023 by mita a williamson anatomy by rose and

ross wilson anatomy and physiology in health and illness - Jul 13 2023

web download pdf ross and wilson anatomy and physiology in health and illness pdf 1t97n08ogncg churchill livingstone textbook for nurses includes full color artwork

[anatomy by rose and wilson bing pdf pdf support ortax](#) - Oct 04 2022

web mar 22 2023 anatomy by rose and wilson bing can be taken as without difficulty as picked to act bookseller 1889 vols for 1871 76 1913 14 include an extra number the

[anatomy by rose and wilson bing pdf free elections freep](#) - Nov 24 2021

human anatomy and physiology health education pdf book by - Sep 22 2021

[anatomy by rose and wilson bing pdf uniport edu](#) - Aug 02 2022

web anatomy by rose and wilson bing if you ally habit such a referred anatomy by rose and wilson bing ebook that will provide you worth get the definitely best seller from us