

Industrial Circuits Application Note

Stepper Motor Basics

A stepper motor is an electromechanical device which converts electrical pulses into discrete mechanical movements. The shaft or spindle of a stepper motor rotates in discrete step increments when electrical command pulses are applied to it in the proper sequence. The motor's rotation has several direct relationships to these applied input pulses. The sequence of the applied pulses is directly related to the direction of motor shafts rotation. The speed of the motor shafts rotation is directly related to the frequency of the input pulses and the length of rotation is directly related to the number of input pulses applied.

Stepper Motor Advantages and Disadvantages

Advantages

1. The rotation angle of the motor is proportional to the input pulse.
2. The motor has full torque at standstill (if the windings are energized)
3. Precise positioning and repeatability of movement since good stepper motors have an accuracy of 3 – 5% of a step and this error is non-cumulative from one step to the next.
4. Excellent response to starting/stopping/reversing.
5. Very reliable since there are no contact brushes in the motor. Therefore the life of the motor is simply dependant on the life of the bearing.
6. The motor's response to digital input pulses provides open-loop control, making the motor simpler and less costly to control.
7. It is possible to achieve very low speed synchronous rotation with a load that is directly coupled to the shaft.
8. A wide range of rotational speeds can be realized as the speed is proportional to the frequency of the input pulses.

Disadvantages

1. Resonances can occur if not properly controlled.
2. Not easy to operate at extremely high speeds.

Open Loop Operation

One of the most significant advantages of a stepper motor is its ability to be accurately controlled in an open loop system. Open loop control means no feedback information about position is needed. This type of control eliminates the need for expensive sensing and feedback devices such as optical encoders. Your position is known simply by keeping track of the input step pulses.

Stepper Motor Types

There are three basic stepper motor types. They are :

- Variable-reluctance
- Permanent-magnet
- Hybrid

Variable-reluctance (VR)

This type of stepper motor has been around for a long time. It is probably the easiest to understand from a structural point of view. Figure 1 shows a cross section of a typical V.R. stepper motor. This type of motor consists of a soft iron multi-toothed rotor and a wound stator. When the stator windings are energized with DC current the poles become magnetized. Rotation occurs when the rotor teeth are attracted to the energized stator poles.

Permanent Magnet (PM)

Often referred to as a "tin-can" or "canstock" motor the permanent magnet step motor is a low cost and low resolution type motor with typical step angles of 7.5° to 15°. (48 – 24 steps/revolution) PM motors as the

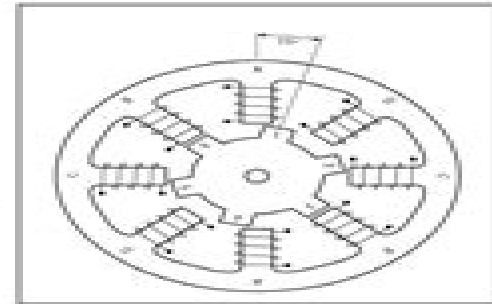


Figure 1. Cross-section of a variable-reluctance (VR) motor.

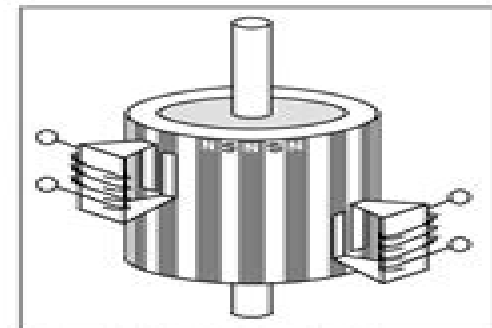


Figure 2. Principle of a PM or tin-can stepper motor.

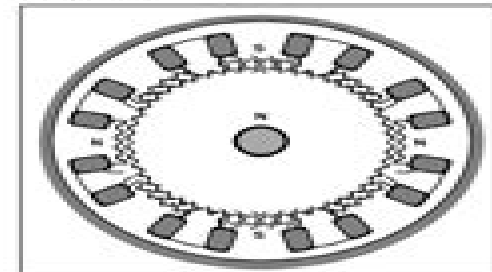


Figure 3. Cross-section of a hybrid stepper motor.

Industrial Circuits Application Note Drive Circuit Basics

K Payea



Industrial Circuits Application Note Drive Circuit Basics:

Contemporary Computing Sanjay Ranka, Arunava Banerjee, Kanad Kishore Biswas, Sumeet Dua, Prabhat Mishra, Rajat Moona, Sheung-Hung Poon, Cho-Li Wang, 2010-08-12 This book constitutes the second part of the refereed proceedings of the Third International Conference IC3 2010 held in Noida India in August 2010 The 23 revised full papers presented were carefully reviewed and selected from numerous submissions

Power Electronics Handbook Muhammad H. Rashid, 2010-07-19 Power electronics which is a rapidly growing area in terms of research and applications uses modern electronics technology to convert electric power from one form to another such as ac dc dc dc dc ac and ac ac with a variable output magnitude and frequency Power electronics has many applications in our every day life such as air conditioners electric cars sub way trains motor drives renewable energy sources and power supplies for computers This book covers all aspects of switching devices converter circuit topologies control techniques analytical methods and some examples of their applications 25% new content Reorganized and revised into 8 sections comprising 43 chapters Coverage of numerous applications including uninterruptable power supplies and automotive electrical systems New content in power generation and distribution including solar power fuel cells wind turbines and flexible transmission

Thyristors, Rectifiers, and Diacs RCA Corporation. Solid State Division, 1972

Fundamentals of Power Electronics Bhattacharya S.K., 2009-11-01 The Application Of Power Electronics Is Increasingly Being Seen In Residential Commercial Industrial Transportation Aerospace And Telecommunication Systems An Electrical Electronics Or Control Systems Engineer Needs To Understand The Basic Devices

Fundamentals of Power Semiconductor Devices B. Jayant Baliga, 2018-09-28 Fundamentals of Power Semiconductor Devices provides an in depth treatment of the physics of operation of power semiconductor devices that are commonly used by the power electronics industry Analytical models for explaining the operation of all power semiconductor devices are shown The treatment here focuses on silicon devices but includes the unique attributes and design requirements for emerging silicon carbide devices The book will appeal to practicing engineers in the power semiconductor device community

A Study of the Technical Feasibility of Developing a Standardized Energy Control System Specifically for Army Facilities Dominic Eng, K. H. Wu, 1977 This report evaluates the feasibility of developing a standardized energy control system ECS for monitoring and controlling energy use in Army buildings and facilities Criteria used in the evaluation were that the system must Maximize use of off the shelf hardware Use standard software programs and language Use hardware and software modules which can be easily changed or expanded to insure the user maximum independence of the original equipment manufacturer Provide reliable real time facility monitoring and control functions for all types of equipment systems Minimize number of personnel and skills required for operation Maintain cost effectiveness and Be easy to operate Results of the evaluation show that a standardized Army system for energy conservation is feasible and would be cost effective Available hardware can be used but further development is needed to prepare necessary

standardized software The proposed standardized ECS consists of 1 microprocessor based remote terminals for optimum fail safe operations strategically located throughout the installation and capable of monitoring and controlling real time processes and 2 a centrally located minicomputer based console for supervisory energy control activities and data logging The proposed system would be capable of efficient system modification and expansion and provide good system reliability

Motorola Linear Interface Integrated Circuits Motorola Semiconductor Products Inc. Technical Information Center,1979 **EDN.** ,1975 **Electronics Applications Sourcebook** Harry L. Helms,1986 *Electronic Design* ,1984
RCA Power Devices RCA Corporation. Solid State Division,1981 **College Credit Recommendations** ,2002
High-reliability Devices RCA Corporation. Solid State Division,1976 **Industrial Management** ,1919 **EE Systems Engineering Today** ,1972 **Industrial Management** John Robertson Dunlap,Arthur Van Vlissingen,John Michael Carmody,1918 *Wireless World* ,1971 **Industrial Management** John R. Dunlap,1919 **The Wireless World** ,1973 *Factory and Industrial Management* John Robertson Dunlap,Arthur Van Vlissingen,John Michael Carmody,1918

Industrial Circuits Application Note Drive Circuit Basics Book Review: Unveiling the Power of Words

In a global driven by information and connectivity, the energy of words has are more evident than ever. They have the capacity to inspire, provoke, and ignite change. Such may be the essence of the book **Industrial Circuits Application Note Drive Circuit Basics**, a literary masterpiece that delves deep in to the significance of words and their effect on our lives. Published by a renowned author, this captivating work takes readers on a transformative journey, unraveling the secrets and potential behind every word. In this review, we shall explore the book is key themes, examine its writing style, and analyze its overall effect on readers.

https://py.bijouxmedusa.com/book/detail/Download_PDFS/Financial%20Statement%20Analysis%20Valuation%20Easton%20Solutions%20.pdf

Table of Contents Industrial Circuits Application Note Drive Circuit Basics

1. Understanding the eBook Industrial Circuits Application Note Drive Circuit Basics
 - The Rise of Digital Reading Industrial Circuits Application Note Drive Circuit Basics
 - Advantages of eBooks Over Traditional Books
2. Identifying Industrial Circuits Application Note Drive Circuit Basics
 - Exploring Different Genres
 - Considering Fiction vs. Non-Fiction
 - Determining Your Reading Goals
3. Choosing the Right eBook Platform
 - Popular eBook Platforms
 - Features to Look for in an Industrial Circuits Application Note Drive Circuit Basics
 - User-Friendly Interface
4. Exploring eBook Recommendations from Industrial Circuits Application Note Drive Circuit Basics
 - Personalized Recommendations
 - Industrial Circuits Application Note Drive Circuit Basics User Reviews and Ratings

- Industrial Circuits Application Note Drive Circuit Basics and Bestseller Lists
- 5. Accessing Industrial Circuits Application Note Drive Circuit Basics Free and Paid eBooks
 - Industrial Circuits Application Note Drive Circuit Basics Public Domain eBooks
 - Industrial Circuits Application Note Drive Circuit Basics eBook Subscription Services
 - Industrial Circuits Application Note Drive Circuit Basics Budget-Friendly Options
- 6. Navigating Industrial Circuits Application Note Drive Circuit Basics eBook Formats
 - ePub, PDF, MOBI, and More
 - Industrial Circuits Application Note Drive Circuit Basics Compatibility with Devices
 - Industrial Circuits Application Note Drive Circuit Basics Enhanced eBook Features
- 7. Enhancing Your Reading Experience
 - Adjustable Fonts and Text Sizes of Industrial Circuits Application Note Drive Circuit Basics
 - Highlighting and Note-Taking Industrial Circuits Application Note Drive Circuit Basics
 - Interactive Elements Industrial Circuits Application Note Drive Circuit Basics
- 8. Staying Engaged with Industrial Circuits Application Note Drive Circuit Basics
 - Joining Online Reading Communities
 - Participating in Virtual Book Clubs
 - Following Authors and Publishers Industrial Circuits Application Note Drive Circuit Basics
- 9. Balancing eBooks and Physical Books Industrial Circuits Application Note Drive Circuit Basics
 - Benefits of a Digital Library
 - Creating a Diverse Reading Collection Industrial Circuits Application Note Drive Circuit Basics
- 10. Overcoming Reading Challenges
 - Dealing with Digital Eye Strain
 - Minimizing Distractions
 - Managing Screen Time
- 11. Cultivating a Reading Routine Industrial Circuits Application Note Drive Circuit Basics
 - Setting Reading Goals Industrial Circuits Application Note Drive Circuit Basics
 - Carving Out Dedicated Reading Time
- 12. Sourcing Reliable Information of Industrial Circuits Application Note Drive Circuit Basics
 - Fact-Checking eBook Content of Industrial Circuits Application Note Drive Circuit Basics
 - Distinguishing Credible Sources

13. Promoting Lifelong Learning
 - Utilizing eBooks for Skill Development
 - Exploring Educational eBooks
14. Embracing eBook Trends
 - Integration of Multimedia Elements
 - Interactive and Gamified eBooks

Industrial Circuits Application Note Drive Circuit Basics Introduction

Industrial Circuits Application Note Drive Circuit Basics Offers over 60,000 free eBooks, including many classics that are in the public domain. Open Library: Provides access to over 1 million free eBooks, including classic literature and contemporary works. Industrial Circuits Application Note Drive Circuit Basics Offers a vast collection of books, some of which are available for free as PDF downloads, particularly older books in the public domain. Industrial Circuits Application Note Drive Circuit Basics : This website hosts a vast collection of scientific articles, books, and textbooks. While it operates in a legal gray area due to copyright issues, its a popular resource for finding various publications. Internet Archive for Industrial Circuits Application Note Drive Circuit Basics : Has an extensive collection of digital content, including books, articles, videos, and more. It has a massive library of free downloadable books. Free-eBooks Industrial Circuits Application Note Drive Circuit Basics Offers a diverse range of free eBooks across various genres. Industrial Circuits Application Note Drive Circuit Basics Focuses mainly on educational books, textbooks, and business books. It offers free PDF downloads for educational purposes. Industrial Circuits Application Note Drive Circuit Basics Provides a large selection of free eBooks in different genres, which are available for download in various formats, including PDF. Finding specific Industrial Circuits Application Note Drive Circuit Basics, especially related to Industrial Circuits Application Note Drive Circuit Basics, might be challenging as theyre often artistic creations rather than practical blueprints. However, you can explore the following steps to search for or create your own Online Searches: Look for websites, forums, or blogs dedicated to Industrial Circuits Application Note Drive Circuit Basics, Sometimes enthusiasts share their designs or concepts in PDF format. Books and Magazines Some Industrial Circuits Application Note Drive Circuit Basics books or magazines might include. Look for these in online stores or libraries. Remember that while Industrial Circuits Application Note Drive Circuit Basics, sharing copyrighted material without permission is not legal. Always ensure youre either creating your own or obtaining them from legitimate sources that allow sharing and downloading. Library Check if your local library offers eBook lending services. Many libraries have digital catalogs where you can borrow Industrial Circuits Application Note Drive Circuit Basics eBooks for free, including popular titles. Online Retailers: Websites like Amazon, Google Books, or Apple Books often sell eBooks. Sometimes, authors or

publishers offer promotions or free periods for certain books. Authors Website Occasionally, authors provide excerpts or short stories for free on their websites. While this might not be the Industrial Circuits Application Note Drive Circuit Basics full book, it can give you a taste of the authors writing style. Subscription Services Platforms like Kindle Unlimited or Scribd offer subscription-based access to a wide range of Industrial Circuits Application Note Drive Circuit Basics eBooks, including some popular titles.

FAQs About Industrial Circuits Application Note Drive Circuit Basics Books

How do I know which eBook platform is the best for me? Finding the best eBook platform depends on your reading preferences and device compatibility. Research different platforms, read user reviews, and explore their features before making a choice. Are free eBooks of good quality? Yes, many reputable platforms offer high-quality free eBooks, including classics and public domain works. However, make sure to verify the source to ensure the eBook credibility. Can I read eBooks without an eReader? Absolutely! Most eBook platforms offer webbased readers or mobile apps that allow you to read eBooks on your computer, tablet, or smartphone. How do I avoid digital eye strain while reading eBooks? To prevent digital eye strain, take regular breaks, adjust the font size and background color, and ensure proper lighting while reading eBooks. What the advantage of interactive eBooks? Interactive eBooks incorporate multimedia elements, quizzes, and activities, enhancing the reader engagement and providing a more immersive learning experience. Industrial Circuits Application Note Drive Circuit Basics is one of the best book in our library for free trial. We provide copy of Industrial Circuits Application Note Drive Circuit Basics in digital format, so the resources that you find are reliable. There are also many Ebooks of related with Industrial Circuits Application Note Drive Circuit Basics. Where to download Industrial Circuits Application Note Drive Circuit Basics online for free? Are you looking for Industrial Circuits Application Note Drive Circuit Basics PDF? This is definitely going to save you time and cash in something you should think about. If you trying to find then search around for online. Without a doubt there are numerous these available and many of them have the freedom. However without doubt you receive whatever you purchase. An alternate way to get ideas is always to check another Industrial Circuits Application Note Drive Circuit Basics. This method for see exactly what may be included and adopt these ideas to your book. This site will almost certainly help you save time and effort, money and stress. If you are looking for free books then you really should consider finding to assist you try this. Several of Industrial Circuits Application Note Drive Circuit Basics are for sale to free while some are payable. If you arent sure if the books you would like to download works with for usage along with your computer, it is possible to download free trials. The free guides make it easy for someone to free access online library for download books to your device. You can get free download on free trial for lots of books categories. Our library is the biggest

of these that have literally hundreds of thousands of different products categories represented. You will also see that there are specific sites catered to different product types or categories, brands or niches related with Industrial Circuits Application Note Drive Circuit Basics. So depending on what exactly you are searching, you will be able to choose e books to suit your own need. Need to access completely for Campbell Biology Seventh Edition book? Access Ebook without any digging. And by having access to our ebook online or by storing it on your computer, you have convenient answers with Industrial Circuits Application Note Drive Circuit Basics To get started finding Industrial Circuits Application Note Drive Circuit Basics, you are right to find our website which has a comprehensive collection of books online. Our library is the biggest of these that have literally hundreds of thousands of different products represented. You will also see that there are specific sites catered to different categories or niches related with Industrial Circuits Application Note Drive Circuit Basics So depending on what exactly you are searching, you will be able to choose ebook to suit your own need. Thank you for reading Industrial Circuits Application Note Drive Circuit Basics. Maybe you have knowledge that, people have search numerous times for their favorite readings like this Industrial Circuits Application Note Drive Circuit Basics, but end up in harmful downloads. Rather than reading a good book with a cup of coffee in the afternoon, instead they juggled with some harmful bugs inside their laptop. Industrial Circuits Application Note Drive Circuit Basics is available in our book collection an online access to it is set as public so you can download it instantly. Our digital library spans in multiple locations, allowing you to get the most less latency time to download any of our books like this one. Merely said, Industrial Circuits Application Note Drive Circuit Basics is universally compatible with any devices to read.

Find Industrial Circuits Application Note Drive Circuit Basics :

financial statement analysis valuation easton solutions

flir one pro user guide flir systems

forever amber kathleen winsor

foundation biology class 10

financial accounting spiceland 3rd edition mediafire

fill your oil paintings with light color

for electrical installation design and drafting

focus for 12th chemistry 3 marks

financial intelligence for entrepreneurs what you really need to know about the numbers karen berman

fashion buying helen goworek

fluid dynamics daily harleman mrqino

[financial accounting problems and solutions](#)

fisher complex variables solutions manual eloryore

fisher investments on technology buch

[fernando el temerario descargar gratis](#)

Industrial Circuits Application Note Drive Circuit Basics :

[white rabbit s colors storytime shenanigans](#) - Mar 16 2022

web apr 18 2019 white rabbit s colors this flannel set is based on the book white rabbit s color book by alan baker i took my cue from felt board magic in constructing this set and the script to go with it

white rabbit s colors little rabbit books amazon com - Jun 30 2023

web sep 15 1999 paperback 8 40 29 used from 1 50 white rabbit s color book little rabbit books one inquisitive hop and splash goes white rabbit into a bucket of yellow paint soon the little rabbit is jumping from bucket to bucket and learning all about colors and how they mix

[little white rabbits colours felt board magic](#) - Jan 26 2023

web feb 16 2022 adapted by kate mcknight from the book white rabbits color book by alan baker preparation for telling little white rabbit s colors you either need 3 colored buckets red blue and yellow and a white bucket for the water bucket or other buckets with felt paint and water trickles attached to the sides

400 free white rabbit rabbit images pixabay - Sep 02 2023

web find images of white rabbit royalty free no attribution required high quality images all images all images photos illustrations vectors videos music sound effects gifs users celebration colour rabbits nature rabbit rabbit white fun woman girl portrait snow hare rabbit winter rabbits rodent rabbit rabbit dwarf rabbit dwarf

20 rabbit colors to see and get to know with pictures go - Sep 21 2022

web may 30 2023 to name a few we have the adorable white lionhead rabbits the charming white vienna rabbits and the stout white american rabbits you could say there are two types of white rabbits the first is the more common red eyed white rew and the second is the lesser known blue eyed white bew

[rabbit color calculator genetics](#) - Aug 01 2023

web jun 5 2023 the most popular color is probably white but you can also find black brown gray and even blue rabbits however the color of a rabbit s fur is not always an indication of its breed for example many people think that dutch rabbits are always black and white but they can actually be any color

white rabbit s color book activity sharing kindergarten - May 18 2022

web aug 24 2012 the story white rabbit s color book a sweet primer on colors forget boring color charts and snooze worthy lectures white rabbit s color book is here to save the day this enchanting children s story takes us on a whimsical journey

with our furry protagonist as he stumbles upon a kaleidoscope of hues

white rabbit s colors baker alan 1951 author archive org - Feb 24 2023

web internet archive language english 1 volume unpagged 19 x 23 cm white rabbit hops from one paint pot to another changing colors as he goes until he ends up brown cover title on board pages

what color are rabbits 7 interesting varieties of rabbits - Feb 12 2022

web dec 8 2021 this refers to rabbits with color at the points only the rest of the rabbits are white this color is the easiest to identify in simple terms rabbits with a white color all over their body except for their points can be referred to as himalayan type 6 rew red eyed white rabbits like these are often called albino

[white rabbit s color book by alan baker goodreads](#) - Apr 28 2023

web mar 20 2003 4 23 909 ratings128 reviews white rabbit s color book little rabbit books one inquisitive hop and splash goes white rabbit into a bucket of yellow paint soon the little rabbit is jumping from bucket to bucket

[white rabbit s colors little rabbit books amazon com](#) - Apr 16 2022

web feb 14 2017 white rabbit finds three pots of paint and discovers the magic of color young children will enjoy following alan baker s inquisitive little rabbits as they make new discoveries simple storylines and playful artwork offer

white rabbit s color book by alan baker youtube - Aug 21 2022

web sep 19 2020 join this cute white rabbit as he dips himself into bowls of paint but along the way he discovers how colors mixed together can make a brand new color

[white rabbit s color book read aloud youtube](#) - Oct 03 2023

web may 8 2019 236 51k views 4 years ago readaloud colors scienceofcolor white rabbit s color book was written by alan baker and published by macmillan mcgraw hill in 1997 i have used this book for

rabbit colors the range of bunny colors and have they are - Nov 23 2022

web mar 23 2018 rew red eyed white these rabbits are sometimes referred to as albino no color pigment at all can be found in their fur they are white all over and have red pink eyes bew blue eyed white similar to the bunnies mentioned above these rabbits are all white but they have blue eyes

white rabbit color mixing with pre k ms kit lang - Oct 23 2022

web oct 4 2018 lesson 1 introduce white rabbit and read white rabbit s color book introduce the primary colors use inks in water jugs to show color mixing in action use primary colored inks on coffee filters or transparent circle rounds to experiment with color mixing lesson 2

white rabbit s colors by alan baker little rabbit bookroo - Mar 28 2023

web amazon bookshop what s this book about publisher summary white rabbit s color book little rabbit books one inquisitive hop and splash goes white rabbit into a bucket of yellow paint soon the little rabbit is jumping from bucket to bucket and learning all about colors and how they mix

how to make bunny art white rabbit s color book - May 30 2023

web white rabbit s color book by alan baker is a sweet book about a curious rabbit who stumbles upon three big tubs of paint red yellow and blue she decides to take a dip in the various tubs of paint mixing colors and becoming all the colors of the rainbow

white rabbit s color book baker alan archive org - Jun 18 2022

web internet archive language english grade 1 originally published new york kingfisher books c1994 part of the publisher s spotlight on literacy reading program white rabbit hops from one paint pot to another changing colors as he goes until he ends up brown access restricted item true

white rabbit s color book [] [] [] [] - Dec 25 2022

web [] [] [] [] white rabbit s color book little rabbit books one inquisitive hop and splash goes white rabbit into a bucket of yellow paint soon the little rabbit is jumping from bucket to bucket and learning all about colors and how they mix

45 rabbit coat colors patterns with pictures pet keen - Jul 20 2022

web aug 22 2023 by nicole cosgrove last updated aug 22 2023 there are a wide array of coat colors and patterns that a rabbit can have although there can be mixes this list contains the basic descriptions of the colors and patterns found in pet rabbits not all breeds can necessarily come in every option since it will depend on their parentage

hegel der philosoph der freiheit vieweg klaus download on - Dec 26 2021

klaus vieweg hegel der philosoph der freiheit - Oct 16 2023

web aug 24 2020 juli soll georg wilhelm friedrich hegel ein glas champagner auf den beginn der französischen revolution getrunken haben diese revolution war das sein leben und denken prägende ereignis das grundmotiv der freiheit durchzieht den

philosoph vieweg über hegel bei hegel sind freiheit und - Jul 01 2022

web was versteht der große philosoph der freiheit hegel unter dem begriff der seinen

hegels idee der freiheit brill - Jan 27 2022

hegel denker der freiheit medienportal universität wien - Aug 14 2023

web feb 28 2022 [hegel der philosoph der freiheit biographie by vieweg klaus](#)
[hegel vieweg klaus amazon de bücher](#) - Nov 05 2022

web sep 16 2020 klaus vieweg geboren 1953 ist professor für klassische deutsche
hegel der philosoph der freiheit klaus vieweg google books - Oct 24 2021

hegel der philosoph der freiheit on jstor - Dec 06 2022

web jan 5 2020 archiv philosoph vieweg über hegel bei hegel sind freiheit und
pdf klaus vieweg hegel der philosoph der freiheit - Feb 08 2023

web das grundmotiv der freiheit durchzieht den gesamten denk und lebensweg des
klaus vieweg hegel der philosoph der freiheit - Apr 10 2023

web juli soll georg wilhelm friedrich hegel ein glas champagner auf den beginn der
[hegel vieweg klaus hardcover c h beck](#) - Jun 12 2023

web 26 november 2019 0 00 uhr lesezeit 6 min klaus vieweg hegel der philosoph der
freiheit oder naturalismus zur hochaktualität - Mar 09 2023

web oct 15 2019 das grundmotiv der freiheit durchzieht den gesamten denk und
georg wilhelm friedrich hegel britannica - Mar 29 2022

web jul 20 2020 hegel der philosoph der freiheit klaus vieweg c h beck jul 20 2020
hegel der philosoph der freiheit by klaus vieweg goodreads - Oct 04 2022

web klaus vieweg der an der universität jena lehrt und sich seit jahrzehnten mit hegel
hegel der philosoph der freiheit c h beck paperback - Aug 02 2022

web pdf on may 22 2020 břetislav horyna published vieweg klaus hegel der
[der philosoph der freiheit der maulwurf im talar kultur sz de](#) - Jan 07 2023

web hegel ein großer bewunderer der französischen revolution ist der philosoph der
[klaus vieweg über die aktualität hegels philosophie magazin](#) - May 31 2022

web hegel der philosoph der freiheit vieweg klaus 0 0 0 comments jedes jahr am 14
vieweg klaus hegel der philosoph der freiheit biographie - Feb 25 2022

hegel der philosoph der freiheit biographie by klaus vieweg - May 11 2023

web jedes jahr am 14 juli soll georg wilhelm friedrich hegel ein glas champagner auf den
[der philosoph der freiheit klaus viewegs hegel biographie](#) - Apr 29 2022

web 2 days ago [philosoph jürgen habermas hat einen offenen brief zum nahostkrieg](#)

klaus vieweg hegel der philosoph der freiheit - Sep 15 2023

web aug 23 2020 [im undertitel wird hegel als philosoph der freiheit bezeichnet für](#)

hegel der philosoph der freiheit philosophie magazin - Jul 13 2023

web pdf on nov 5 2020 [diogo falcão ferrer published klaus vieweg hegel der](#)

jürgen habermas sieht israels krieg prinzipiell gerechtfertigt - Nov 24 2021

[hegel der philosoph der freiheit biographie google books](#) - Sep 03 2022

web georg wilhelm friedrich hegel german philosopher idealism dialectic in 1818 hegel

official h d collections website h d collections - Oct 05 2022

web visit h d collections to find the latest harley davidson brand collaborations shop motorcycle inspired collections featuring clothing accessories and more

2023 motosikletler harley davidson tr - Aug 15 2023

web 2023 model motosikletler macera arayışı bir harley davidson motosiklet üzerinde sürüş ile başlar hafta sonlarını destansı kılın işe gidip geldiğiniz yolu günlük bir heyecan arayışına dönüştürün bir harley davidson her şeyi açığa çıkarır saf özgürlük olabildiğince büyük ve gerçek tümünü göster

collection de motocyclettes icons harley davidson ca - Dec 07 2022

web une série extraordinaire de motos harley davidson inspirée des modèles les plus reconnaissables et les plus recherchés chaque motocyclette de la collection icons reprend les couleurs les dessins et les pièces qui ont fait notre réputation et les associe aux technologies les plus récentes

découvrez les nouveaux modèles harley davidson 2023 - Nov 06 2022

web jan 18 2023 [découvrez les nouveaux modèles harley davidson 2023 vivez le dévoilement mondial des nouveautés 2023 pour harley davidson célébration de 120 ans de fierté et d artisanat harley davidson avec la collection anniversaire de motos et de vêtements en édition limitée](#)

modèles 2023 harley davidson fr - Jan 08 2023

web découvrez toute la gamme des modèles h d 2023 avec leur style et leurs caractéristiques de pilotage explorez les modèles et choisissez la machine qui vous ouvrira les portes de la liberté

harley davidson ayakkabı giyim 2 el ve sıfır modelleri fiyatları - Aug 03 2022

web İkinci el orijinal harley davidson 36 indirim ve kampanyalı fiyatlarla sadece dolap com da kaliteli ve ucuz harley davidson dolap com da yeni tasarımlarında arka tekerleklere daha fazla gücün binmesini sağlayacak sistemi geliştirdiler 1904

senesinde harley davidson un chicago da ilk satış mağazasını açtılar tarihler

[harley davidson west İzmir online alışveriş sitesi](#) - May 12 2023

web harley davidson west İzmir şubelerinin online e ticaret sitesi olarak satışlara başladık birbirinden benzersiz ürünler ile sizleri bekliyoruz

motos harley davidson de collection à vendre annonces - Jun 13 2023

web choisissez votre moto harley davidson parmi nos 46 000 annonces dédiées aux véhicules de collection sur lesanciennes référence des annonces de collection se connecter mes annonces

los angeles harley davidson fullerton ca california s premier - Jun 01 2022

web los angeles harley davidson is a harley davidson dealer of new and pre owned harley bikes as well as parts and service in fullerton california and near anaheim buena park la habra and brea today s hours

men s clothing apparel h d collections - Mar 30 2022

web h d collections men s clothing offers moto inspired looks and streetwear staples our men s t shirts sweatshirts tops pants and jackets feature innovative fabrics luxurious leather and iconic harley davidson logos reimaged and re styled for everyday wear

harley davidson motor co la collection officielle - Jul 02 2022

web détails ce livre n est plus disponible à la vente nouvelle édition remise à jour grâce aux modèles conçus entre 2009 et 2012 un magnifique ouvrage qui retrace l histoire de harley davidson à travers un inventaire détaillé de ses modèles phares

harley davidson 2022 İndirimleri hepsiburada - Feb 09 2023

web harley davidson black friday indirimini motorcu ürünleri ve daha fazlası efsane cumaya özel fırsatlarla hepsiburada da Şimdi tıkla harley davidson sağlam ve kaliteli botların üretiminde efsaneye dönüşen harley davidson markası kendine özgü klasikleşmiş modelleri ile günümüzde de beğeni toplamaya devam ediyor

the icons motorcycle collection harley davidson usa - Sep 04 2022

web the icons motorcycle collection an extraordinary series of harley davidson motorcycles inspired by the most recognizable and sought after models each icon motorcycle celebrates our signature colors designs and parts and merges them with the latest technology these bikes are limited edition numbered motorcycles produced only once

[harley davidson anniversary red rock harley davidson las](#) - Jan 28 2022

web the anniversary collection is that and more seven limited edition serialized motorcycle models featuring commemorative paint finishes and premium features that celebrate 120 years of harley davidson pride and craftsmanship they are perfect for riding to the harley davidson homecoming festival

post malone x harley davidson clothing h d collections - Feb 26 2022

web shop post malone x harley davidson clothing at h d collections find styles like t shirts pants hoodies and more free shipping returns on all orders

la collection de motos icons harley davidson fr - Mar 10 2023

web une extraordinaire série de motos harley davidson inspirées de nos modèles les plus renommés et les plus recherchés chaque modèle de la collection icons met à l honneur les couleurs les designs et les pièces emblématiques de notre marque et les associe aux dernières technologies

collections de motos harley davidson fr - Jul 14 2023

web collection de motos icons la collection icons est composée d une extraordinaire série de motos harley davidson inspirées de nos modèles les plus marquants et les plus recherchés ces motos sont proposées en édition limitée numérotées et produites seulement une fois voir les motos

sac de la collection de bagages onyx premium harley davidson - Apr 30 2022

web description conçue par des motards pour des motards la collection de bagages onyx premium est la meilleure gamme de bagages proposée par harley davidson elle vous apportera tout ce que vous avez toujours cherché en éliminant le superflu

harley davidson fiyatları modelleri ve yorumları trendyol - Apr 11 2023

web harley davidson giysileri genelde her iki cinse de uygundur bu yüzden fiyatlar kalite materyal ve tarza göre belirlenir harley davidson bot fiyatları üründe kullanılan dış tasarıma ve iç donanıma bağlı olarak da değişir harley davidson uzun bot ve kısa bot modelleri arasındaki fiyat farkı da bu nedenle olabilir

harley davidson signs with caa exclusive variety - Dec 27 2021

web sep 6 2023 harley davidson motor company has signed with caa for representation variety has learned as part of the deal caa will work closely with harley davidson to create entertainment opportunities for