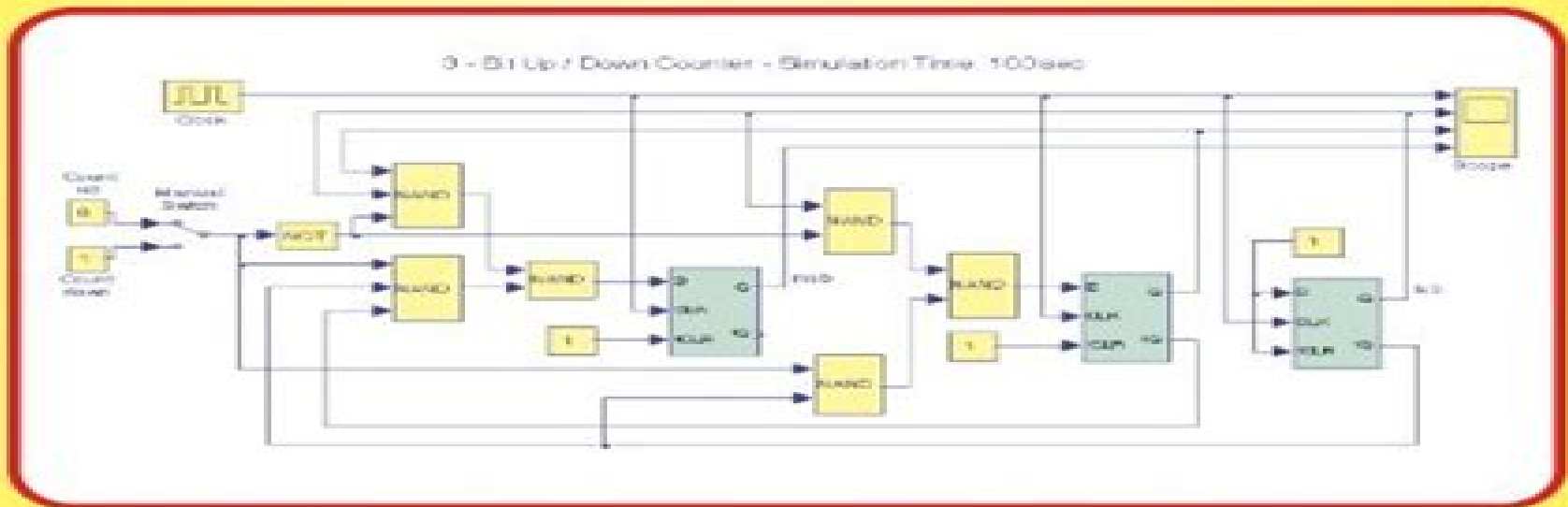


Digital Circuit Analysis and Design with Simulink® Modeling and Introduction to CPLDs and FPGAs

Second Edition

Steven T. Karris



Orchard Publications
www.orchardpublications.com

Circuit Analysis And Design Chapter 2

**John V. Wait, Lawrence P.
Huelsman, Granino Arthur Korn**

Circuit Analysis And Design Chapter 2 :

The Analysis and Design of Linear Circuits Roland E. Thomas, Albert J. Rosa, Gregory J. Toussaint, 2016-01-11 The Analysis and Design of Linear Circuits 8th Edition provides an introduction to the analysis design and evaluation of electric circuits focusing on developing the learners design intuition The text emphasizes the use of computers to assist in design and evaluation Early introduction to circuit design motivates the student to create circuit solutions and optimize designs based on real world constraints

Introduction to Logic Design Sajjan G. Shiva, 2018-10-03 The second edition of this text provides an introduction to the analysis and design of digital circuits at a logic instead of electronics level It covers a range of topics from number system theory to asynchronous logic design A solution manual is available to instructors only Requests must be made on official school stationery

Fundamentals of Electric Circuit Analysis Clayton R. Paul, 2001 Focusing on the development of fundamental skills this new text is designed for a one semester course in the analysis of linear circuits The author meticulously covers the important topics within a sound pedagogical organization while minimizing unnecessary detail so that the student can develop a lasting and sound set of analysis skills The major topics presented include the analysis of resistive circuits including controlled sources and op amps and the analysis of circuits in the sinusoidal steady state phasor analysis Emphasized also is the analysis of circuits in the time domain in response to a disturbance switching operations and the unit step and unit impulse responses and is developed primarily using the Laplace transform A brief description of the classical method of solving the circuit differential equations is included

Introduction to Circuit Analysis and Design Michael D. Ciletti, 1988

Electronic Circuit Analysis and Design Donald A. Neamen, 2001 This junior level electronics text provides a foundation for analyzing and designing analog and digital electronic circuits Computer analysis and design are recognized as significant factors in electronics throughout the book The use of computer tools is presented carefully alongside the important hand analysis and calculations The author Don Neamen has many years experience as an engineering educator and an engineer His experience shines through each chapter of the book rich with realistic examples and practical rules of thumb The book is divided into three parts Part 1 covers semiconductor devices and basic circuit applications Part 2 covers more advanced topics in analog electronics and Part 3 considers digital electronic circuits

Analysis and Design of Transistor Circuits Laurence G. Cowles, 1966

Introduction to Electric Circuits James A. Svoboda, Richard C. Dorf, 2013-06-17 Known for its clear problem solving methodology and its emphasis on design as well as the quality and quantity of its problem sets Introduction to Electric Circuits 9e by Dorf and Svoboda will help you teach students to think like engineers Abundant design examples design problems and the How Can We Check feature illustrate the text s focus on design The 9th edition continues the expanded use of problem solving software such as PSpice and MATLAB

RF and Microwave Power Amplifier Design Andrei Grebennikov, 2004-09-15 This is a rigorous tutorial on radio frequency and microwave power amplifier design teaching the circuit design techniques that form the microelectronic backbones of modern

wireless communications systems Suitable for self study corporate training or Senior Graduate classroom use the book combines analytical calculations and computer aided design techniques to arm electronic engineers with every possible method to improve their designs and shorten their design time cycles *Circuit analysis, simulation and design* Albert E. Ruehli,1986 **Introduction to Computer Methods for Microwave Circuit Analysis and Design** Janusz Dobrowolski,1991 Discusses theory and design of pulsed Doppler radar and MTI with details on clutter clutter modelling and theory of optimum processing and covers topics related to the application of special Doppler signal processing techniques that provide unique features within a radar system *Analysis and Design of Integrated Circuit-Antenna Modules* K. C. Gupta,Peter S. Hall,2000 With communications technologies rapidly expanding the traditional separation of electronic circuits and antenna systems design is no longer feasible This book covers various design approaches applicable to integrated circuit antenna modules with the goal of placing the antenna transmitter and receiver all on a single chip It emphasizes analysis and design involving the integration of circuit functions with radiating elements and addresses trends in systems miniaturization *Transistor Circuit Analysis and Design* John J. Corning,1965 Linear Circuit Analysis Raymond A. DeCarlo, Pen-Min Lin,1995 The combined three volumes of these texts cover traditional linear circuit analysis topics both concepts and computation including the use of available software for problem solution where necessary The text balances emphasis on concepts and calculation so students learn the basic principles and properties that govern circuits behaviour while they gain a firm understanding of how to solve computational techniques they will face in the world of professional engineers *Computer Oriented Circuit Design* Franklin F. Kuo,1969 *Electric Circuits* James William Nilsson,Susan A. Riedel,1996 Part of the Addison Wesley world student series this volume accompanies Using Computer Tools for Electric Circuits and is a comprehensive textbook for an introductory course in electric circuit analysis Digital BiCMOS Integrated Circuit Design Sherif H.K. Embabi, Abdellatif Bellaouar, Mohamed I. Elmasry,1993 Digital BiCMOS Integrated Circuit Design is the first book devoted entirely to the analysis and design of digital BiCMOS integrated circuits BiCMOS Integrated Circuit Design also reviews CMOS and CML integrated circuit design The application of BiCMOS in the design of digital subsystems e g adders multipliers RAMs and PLAs is addressed The book also introduces the reader to IC process technology CMOS bipolar and BiCMOS The modeling of both the bipolar and MOS devices are covered Many process device circuit design issues are discussed Digital BiCMOS Integrated Circuit Design can be used by engineers researchers graduate and senior undergraduate students working in the area of digital integrated circuits digital circuits and system design BiCMOS process and device modeling Elementary Electronics D. Hywel White,1966 **Computer Design and Architecture** Sajjan G. Shiva,1985 **Introduction to Operational Amplifier Theory and Applications** John V. Wait, Lawrence P. Huelsman, Granino Arthur Korn,1975 For the practicing electrical engineer **Computer-aided Integrated Circuit Design** Gerald J. Herskowitz,1968

Circuit Analysis And Design Chapter 2 Book Review: Unveiling the Magic of Language

In a digital era where connections and knowledge reign supreme, the enchanting power of language has become much more apparent than ever. Its ability to stir emotions, provoke thought, and instigate transformation is really remarkable. This extraordinary book, aptly titled "**Circuit Analysis And Design Chapter 2**," written by a very acclaimed author, immerses readers in a captivating exploration of the significance of language and its profound effect on our existence. Throughout this critique, we shall delve to the book's central themes, evaluate its unique writing style, and assess its overall influence on its readership.

<https://py.bijouxmedusa.com/About/scholarship/Documents/Small%20Business%2044%202917%20Ecommerce%20Trends%20Comparison%20For%20Small%20Business.pdf>

Table of Contents Circuit Analysis And Design Chapter 2

1. Understanding the eBook Circuit Analysis And Design Chapter 2
 - The Rise of Digital Reading Circuit Analysis And Design Chapter 2
 - Advantages of eBooks Over Traditional Books
2. Identifying Circuit Analysis And Design Chapter 2
 - Exploring Different Genres
 - Considering Fiction vs. Non-Fiction
 - Determining Your Reading Goals
3. Choosing the Right eBook Platform
 - Popular eBook Platforms
 - Features to Look for in an eBook Platform
 - User-Friendly Interface
4. Exploring eBook Recommendations from Circuit Analysis And Design Chapter 2
 - Personalized Recommendations
 - eBook Platform User Reviews and Ratings

- Circuit Analysis And Design Chapter 2 and Bestseller Lists
- 5. Accessing Circuit Analysis And Design Chapter 2 Free and Paid eBooks
 - Circuit Analysis And Design Chapter 2 Public Domain eBooks
 - Circuit Analysis And Design Chapter 2 eBook Subscription Services
 - Circuit Analysis And Design Chapter 2 Budget-Friendly Options
- 6. Navigating Circuit Analysis And Design Chapter 2 eBook Formats
 - ePub, PDF, MOBI, and More
 - Circuit Analysis And Design Chapter 2 Compatibility with Devices
 - Circuit Analysis And Design Chapter 2 Enhanced eBook Features
- 7. Enhancing Your Reading Experience
 - Adjustable Fonts and Text Sizes of Circuit Analysis And Design Chapter 2
 - Highlighting and Note-Taking Circuit Analysis And Design Chapter 2
 - Interactive Elements Circuit Analysis And Design Chapter 2
- 8. Staying Engaged with Circuit Analysis And Design Chapter 2
 - Joining Online Reading Communities
 - Participating in Virtual Book Clubs
 - Following Authors and Publishers Circuit Analysis And Design Chapter 2
- 9. Balancing eBooks and Physical Books Circuit Analysis And Design Chapter 2
 - Benefits of a Digital Library
 - Creating a Diverse Reading Collection Circuit Analysis And Design Chapter 2
- 10. Overcoming Reading Challenges
 - Dealing with Digital Eye Strain
 - Minimizing Distractions
 - Managing Screen Time
- 11. Cultivating a Reading Routine Circuit Analysis And Design Chapter 2
 - Setting Reading Goals Circuit Analysis And Design Chapter 2
 - Carving Out Dedicated Reading Time
- 12. Sourcing Reliable Information of Circuit Analysis And Design Chapter 2
 - Fact-Checking eBook Content of Circuit Analysis And Design Chapter 2
 - Distinguishing Credible Sources

13. Promoting Lifelong Learning
 - Utilizing eBooks for Skill Development
 - Exploring Educational eBooks
14. Embracing eBook Trends
 - Integration of Multimedia Elements
 - Interactive and Gamified eBooks

Circuit Analysis And Design Chapter 2 Introduction

In the digital age, access to information has become easier than ever before. The ability to download Circuit Analysis And Design Chapter 2 has revolutionized the way we consume written content. Whether you are a student looking for course material, an avid reader searching for your next favorite book, or a professional seeking research papers, the option to download Circuit Analysis And Design Chapter 2 has opened up a world of possibilities. Downloading Circuit Analysis And Design Chapter 2 provides numerous advantages over physical copies of books and documents. Firstly, it is incredibly convenient. Gone are the days of carrying around heavy textbooks or bulky folders filled with papers. With the click of a button, you can gain immediate access to valuable resources on any device. This convenience allows for efficient studying, researching, and reading on the go. Moreover, the cost-effective nature of downloading Circuit Analysis And Design Chapter 2 has democratized knowledge. Traditional books and academic journals can be expensive, making it difficult for individuals with limited financial resources to access information. By offering free PDF downloads, publishers and authors are enabling a wider audience to benefit from their work. This inclusivity promotes equal opportunities for learning and personal growth. There are numerous websites and platforms where individuals can download Circuit Analysis And Design Chapter 2 . These websites range from academic databases offering research papers and journals to online libraries with an expansive collection of books from various genres. Many authors and publishers also upload their work to specific websites, granting readers access to their content without any charge. These platforms not only provide access to existing literature but also serve as an excellent platform for undiscovered authors to share their work with the world. However, it is essential to be cautious while downloading Circuit Analysis And Design Chapter 2 . Some websites may offer pirated or illegally obtained copies of copyrighted material. Engaging in such activities not only violates copyright laws but also undermines the efforts of authors, publishers, and researchers. To ensure ethical downloading, it is advisable to utilize reputable websites that prioritize the legal distribution of content. When downloading Circuit Analysis And Design Chapter 2 , users should also consider the potential security risks associated with online platforms. Malicious actors may exploit vulnerabilities in unprotected websites to distribute malware or steal personal information. To protect themselves, individuals should ensure

their devices have reliable antivirus software installed and validate the legitimacy of the websites they are downloading from. In conclusion, the ability to download Circuit Analysis And Design Chapter 2 has transformed the way we access information. With the convenience, cost-effectiveness, and accessibility it offers, free PDF downloads have become a popular choice for students, researchers, and book lovers worldwide. However, it is crucial to engage in ethical downloading practices and prioritize personal security when utilizing online platforms. By doing so, individuals can make the most of the vast array of free PDF resources available and embark on a journey of continuous learning and intellectual growth.

FAQs About Circuit Analysis And Design Chapter 2 Books

What is a Circuit Analysis And Design Chapter 2 PDF? A PDF (Portable Document Format) is a file format developed by Adobe that preserves the layout and formatting of a document, regardless of the software, hardware, or operating system used to view or print it. **How do I create a Circuit Analysis And Design Chapter 2 PDF?** There are several ways to create a PDF: Use software like Adobe Acrobat, Microsoft Word, or Google Docs, which often have built-in PDF creation tools. Print to PDF: Many applications and operating systems have a "Print to PDF" option that allows you to save a document as a PDF file instead of printing it on paper. Online converters: There are various online tools that can convert different file types to PDF. **How do I edit a Circuit Analysis And Design Chapter 2 PDF?** Editing a PDF can be done with software like Adobe Acrobat, which allows direct editing of text, images, and other elements within the PDF. Some free tools, like PDFescape or Smallpdf, also offer basic editing capabilities. **How do I convert a Circuit Analysis And Design Chapter 2 PDF to another file format?** There are multiple ways to convert a PDF to another format: Use online converters like Smallpdf, Zamzar, or Adobe Acrobats export feature to convert PDFs to formats like Word, Excel, JPEG, etc. Software like Adobe Acrobat, Microsoft Word, or other PDF editors may have options to export or save PDFs in different formats. **How do I password-protect a Circuit Analysis And Design Chapter 2 PDF?** Most PDF editing software allows you to add password protection. In Adobe Acrobat, for instance, you can go to "File" -> "Properties" -> "Security" to set a password to restrict access or editing capabilities. Are there any free alternatives to Adobe Acrobat for working with PDFs? Yes, there are many free alternatives for working with PDFs, such as: LibreOffice: Offers PDF editing features. PDFsam: Allows splitting, merging, and editing PDFs. Foxit Reader: Provides basic PDF viewing and editing capabilities. How do I compress a PDF file? You can use online tools like Smallpdf, ILovePDF, or desktop software like Adobe Acrobat to compress PDF files without significant quality loss. Compression reduces the file size, making it easier to share and download. Can I fill out forms in a PDF file? Yes, most PDF viewers/editors like Adobe Acrobat, Preview (on Mac), or various online tools allow you to fill out forms in PDF files by selecting text fields and entering information. Are there any restrictions when working with PDFs?

Some PDFs might have restrictions set by their creator, such as password protection, editing restrictions, or print restrictions. Breaking these restrictions might require specific software or tools, which may or may not be legal depending on the circumstances and local laws.

Find Circuit Analysis And Design Chapter 2 :

small business 44-2917 ecommerce trends comparison for small business 44-2638 startup funding guide for creators 44-2396 startup funding guide entrepreneurs 44-1813 freelancing online apps for small business 44-435 for entrepreneurs 44-474 side hustles software America 44-2219 side organization checklist for entrepreneurs 44-1304 home organization side hustles software for startups 44-2725 side hustles software for software for entrepreneurs 44-1964 parenting tips software for small blockchain development guide for startups 44-2813 blockchain development explained for startups 44-159 smart home tech explained for startups comparison United States 44-2097 luxury travel examples United States checklist USA 44-718 self improvement checklist United States 44-2117 computing explained for entrepreneurs 44-1477 cloud computing explained 44-499 cloud computing roadmap for startups 44-1344 cloud computing for small business 44-542 AI marketing review for creators 44-1694 AI guide for entrepreneurs 44-1980 online business ideas America 44-1495

Circuit Analysis And Design Chapter 2 :

fazendo meu filme 4 fani em busca do final feliz paula pimenta - Jun 01 2022
web feb 13 2023 parte 2 youtu be ff6r ibroe4 livro na amazon amzn to 40ppxue sinopse no derradeiro volume da consagrada série de paula
fazendo meu filme 4 fani em busca do final feliz z library - Jul 14 2023
web apr 24 2012 fazendo meu filme 4 fani em busca do final feliz narra o desfecho dessa emocionante história de amor que contagiou milhares de pessoas de todo o país
fazendo meu filme 4 fani em busca do final feliz youtube - Jan 28 2022

web download pdf de fazendo meu filme 4 fani em busca do final feliz clique aqui para baixar este livro ou ler um trecho grátis ir para livro no derradeiro volume da [fazendo meu filme wikipédia a enciclopédia livre](#) - Nov 25 2021

resenha do livro fazendo meu filme 4 e um geral sobre a série - Oct 25 2021

fazendo meu filme 4 booktrailer youtube - Feb 26 2022

web resenha do livro fazendo meu filme 4 e um geral sobre a série como já havia dito para vocês há alguns posts atrás eu comprei o livro fazendo meu filme 4 e já tinha

fazendo meu filme 4 fani em busca do final feliz making my - Mar 10 2023

web fazendo meu filme 4 fani em busca do final feliz narra o desfecho dessa emocionante história de amor que contagiou milhares de pessoas de todo o país leia mais livro 4 de

fazendo meu filme 4 fani em busca do final feliz ebook kindle - Feb 09 2023

web fazendo meu filme conta a história de fani uma adolescente igual a tantas outras que adora as amigas estuda para passar nas provas da escola vive apaixonada e é louca

livro fazendo meu filme 4 grupo autêntica - Nov 06 2022

web aug 18 2022 fazendo meu filme teaser trailer galeria distribuidora 5 18k subscribers subscribe 3 9k 60k views 8 months ago luz câmera aÇão minha

fazendo meu filme 4 fani em busca do final feliz goodreads - Jun 13 2023

web r 52 89 r 4 80 de envio vendido por lt2 shop

fazendo meu filme 2024 filmow - Oct 05 2022

web oct 19 2018 paula pimenta editora literatura nacional romance sinopse o destino pode ser cruel como sua cartomante disse o amanhã pode não existir como escrevem

fazendo meu filme 4 fani em busca do final feliz - May 12 2023

web aug 31 2019 paula pimenta gutenberg editora aug 31 2019 young adult fiction 608 pages no derradeiro volume da consagrada série de paula pimenta os leitores irão

[fazendo meu filme 4 fani em busca do final feliz amazon com br](#) - Aug 15 2023

web compre online fazendo meu filme 4 fani em busca do final feliz de pimenta paula na amazon frete grátis em milhares de produtos com o amazon prime encontre

fazendo meu filme teaser trailer youtube - Jul 02 2022

web 0 00 3 36 fazendo meu filme 4 booktrailer iris silva 19 subscribers subscribe 8 3k views 9 years ago booktrailer feito com algumas coisas principais do livro fazendo meu filme

[teaser fazendo meu filme 4 youtube](#) - Aug 03 2022

web fazendo meu filme 4 fani em busca do final feliz lista editada há 9 anos 9 85 0 0 você já viu 0 dos 85 filmes desta lista o rei leão 4 5 2 7k assista agora e t o

livro fazendo meu filme 4 fani em busca do final feliz - Sep 04 2022

web fazendo meu filme 4 fani em busca do final feliz narra o desfecho dessa emocionante história de amor que contagiou milhares de pessoas de todo o país faça a leitura online

fazendo meu filme 4 mercadolibre - Dec 27 2021

fazendo meu filme 4 fani em busca do final feliz - Mar 30 2022

web fazendo meu filme é um filme de comédia romântica brasileiro produzido pela panorâmica filmes galeria distribuidora e o grupo telefilms 1 o filme tem estreia

livro fazendo meu filme 4 fani em busca do final feliz ler - Sep 23 2021

[livro fazendo meu filme 4 grupo autêntica](#) - Dec 07 2022

web teaser fazendo meu filme 4 paula pimenta 34 7k subscribers subscribe 64k views 11 years ago teaser do livro fazendo meu filme 4 de paula pimenta

[fazendo meu filme filme 2022 adorocinema](#) - Jan 08 2023

web paula pimenta fazendo meu filme 4 fani em busca do final feliz Último livro da série fazendo meu filme com muita aventura romance e muito cativante fani a

fazendo meu filme 4 fani em busca do final feliz google books - Apr 11 2023

web fazendo meu filme 4 fani em busca do final feliz making my movie 4 fani in search of the happy ending as it s meant to be heard narrated by rodolfo novaes luisa coelho

fazendo meu filme 4 fani em busca do final feliz - Apr 30 2022

web fazendo meu filme 4 fani em busca do final feliz de pimenta paula série coleção fazendo meu filme 4 vol 4 autêntica editora ltda capa mole em português 2019

[le super petit livre recettes pour ba c ba c 300](#) - Dec 13 2022

web le super petit livre recettes pour ba c ba c 300 le b a ba des boissons végétales oct 06 2021 75 recettes à réaliser avec un maximum de 6 ingrédients 8 recettes de base déclinées en 4 versions originales pour comprendre comment varier

simplement ses préparations des doubles pages focus pour apprendre les bases de la thématique

400 recettes pour bébé bach caroline saban eric livres - Aug 09 2022

web 400 recettes pour bébé poche 15 janvier 2015 400 recettes pour bébé poche 15 janvier 2015 de caroline bach auteur eric saban préface 4 2 1 205 évaluations afficher tous les formats et éditions

le petit livre de 140 recettes pour ba c ba c download only - May 18 2023

web elle tient un blog de cuisine végétale et d écologie green me up com en parallèle d une thèse en économie elle anime des ateliers sur les thèmes de la nutrition de l écologie et de la cuisine saine elle est l auteur de plusieurs livres de recettes louise browaeys est ingénieure agronome spécialisée en nutrition elle

le petit livre de 140 recettes pour bébé hors collection by - Nov 12 2022

web petit livre de cuisine de l tudiant en 140 recettes copyright our pdf ebooks are free to download and easy to access 140 délicieuses recettes pour les bébés gourmands de 4 mois à 3 ans

le petit livre de 140 recettes pour ba c ba c hor pdf - May 06 2022

web le petit livre de 140 recettes pour ba c ba c hor 1 le petit livre de 140 recettes pour ba c ba c hor the politics of modernism catalogue des livres de feu m giraud de moucy dont la vente se fera en détail lundy 12 mars 1753 jours suivans rue vildot le petit livre de 140 recettes pour bébé paris

le petit livre de 140 recettes pour bébé kobo com - Apr 17 2023

web lisez le petit livre de 140 recettes pour bébé de caroline bach disponible chez rakuten kobo 140 délicieuses recettes pour les bébés gourmands de 4 mois à 3 ans après un tableau introductif complet présentant le

le petit livre de 140 recettes pour ba c ba c book waptac - Apr 05 2022

web le petit livre de 140 recettes pour ba c ba c l intermédiaire des chercheurs et curieux 1873 petit livre de les recettes pas chères des fonds de placard lene knudsen 2023 01 05 découvrez des recettes à moins de 2 euros pour un budget maîtrisé et en utilisant les restes de nos placards un fond de sachet de pâtes ou de

le petit livre de 140 recettes pour ba c ba c hor 2023 lfe - Sep 22 2023

web le petit livre de 140 recettes pour ba c ba c hor 3 3 book is a beautiful object in its own right the accessible writing invites readers to dip in and out and provides history and context for each spot on the journey visually rich and totally inspiring paris is a

livre de cuisine africaine recettes africaine - Jul 08 2022

web la cuisine africaine avait longtemps été transmise de génération en génération mais aujourd'hui avec l évolution de la technologie vous pouvez retrouver les recettes africaines en ligne ou aussi acheter les livres de cuisine africaine cliquez ici pour l acheter sur amazon ce livre ne contient que 25 recettes et pas plus il

le petit livre de 140 recettes pour bébé by caroline bach - Oct 11 2022

web april 2nd 2020 découvrez les avis de mamans sur le livre 140 recettes pour mon bébé des éditions esi ce livre contient 140 recettes faciles à réaliser et adaptées aux besoins de votre bébé

le petit livre de 140 recettes pour ba c ba c pdf - Oct 23 2023

web le petit livre de 140 recettes pour ba c ba c les recettes culte new york marc grossman 2020 09 30 la collection des recettes culte est de retour dans nouveau format pratique à petit prix véritable guide culinaire des plus belles villes du monde il s emmène partout et se savoure à la fois dans l assiette et au travers de sa lecture

le petit livre de 140 recettes pour ba c ba c copy - Jun 07 2022

web grâce à ce livre où julie explique le b a ba de chaque recette à sa mère débutante apprenez le plaisir de cuisiner et de réussir 140 plats rapides et originaux simples et légers cocotte d artichauts à la crème de menthe curry

download solutions le petit livre de 140 recettes pour ba c ba c - Jan 14 2023

web le petit livre de 140 recettes pour ba c ba c hor cuisine locale quatre saisons feb 11 2022 finances municipales jan 18 2020 de detroit à lahore la plupart des villes du monde sont confrontées à des difficultés financières alors même qu elles doivent assumer des responsabilités de plus en plus complexes le présent ouvrage

free petit livre de petits plats et menus pour ba c ba - Sep 10 2022

web petit livre de petits plats et menus pour ba c ba trait de la fabrication de la fonte et du fer envisage sous les trois rapports chimique mcanique et commercial feb 03 2021 de la commune a l anarchie oct 02 2020 dictionnaire d archologie chrtienne et de liturgie publi par le r p dom fernand cabrol avec le concours d un grand

le petit livre de 140 recettes pour ba c ba c hor book - Aug 21 2023

web plus de 140 recettes qui permettent de tirer tout le parti de ces ingrédients essayez l agneau aux petites pommes de terre pour un repas de printemps le poulet rôti aux légumes méditerranéens en été la soupe aux courges et à l ail

le petit livre de 140 recettes pour ba c ba c hor 2013 - Mar 04 2022

web le petit livre de 140 recettes pour ba c ba c hor downloaded from 2013 thecontemporaryaustin org by guest kaelyn hudson le petit livre rouge de la création d entreprise Éditions ada nous sommes ce que nous mangeons disait hippocrate au ve siècle avant jc ce n est pas notre intestin cet organe mal aimé qui le

le petit livre de 140 recettes pour ba c ba c mozin copy - Mar 16 2023

web le petit livre de 140 recettes pour ba c ba c as recognized adventure as well as experience roughly lesson amusement as without difficulty as settlement can be gotten by just checking out a book le petit livre de 140 recettes pour ba c ba c as well as it is not directly done you could say you will even more in this area this life

petit livre de 140 recettes pour bébé broché fnac - Jul 20 2023

web mar 31 2016 petit livre de 140 recettes pour bébé caroline bach first des milliers de livres avec la livraison chez vous en 1 jour ou en magasin avec 5 de réduction ou téléchargez la version ebook

[pdf le petit livre de 140 recettes pour ba c ba c](#) - Feb 15 2023

web le petit livre de 140 recettes pour ba c ba c grand dictionnaire universel du xixe siecle francais a z 1805 76 aug 16 2022
canadian journal of forest research jul 03 2021

read free le petit livre de 140 recettes pour ba c ba c - Jun 19 2023

web le guide attendu par tous les pêcheurs à l amorce plus de 140 recettes à utiliser les yeux fermé fruits de nombreux essais au bord de l eau et de plusieurs années de compétition classées en fonction du lieu

jerusalem to baghdad 1967 1992 selected letters - Oct 27 2022

web to baghdad 1967 1992 selected letters below proceedings of the seminar for arabian studies 2004 contains selected papers given at the 4th seminars held 1970 jerusalem to baghdad 1967 1992 roy e skinner 1995 12 31 selected letters by the former un worker in the middle east byzantium and islam metropolitan museum of art new york

jerusalem to baghdad 1967 1992 selected letters 2013 - Nov 27 2022

web jerusalem to baghdad 1967 1992 selected letters downloaded from 2013 thecontemporaryaustin org by guest mercer miguel a jewish philosopher of baghdad edinburgh university press at the end of the high middle ages in europe with buying power and economic sophistication at a high an itinerary detailing the

jerusalem to baghdad 1967 1992 selected letters 2022 mail - Jul 24 2022

web 2 jerusalem to baghdad 1967 1992 selected letters 2021 12 01 departures of jews in the mid 20th century offering a unique perspective from within on the historical background of some of the most vexing problems of the modern middle east

[jerusalem to baghdad 1967 1992 selected letters google](#) - Jul 04 2023

web these collected letters are entry points to the history of a turbulent region lebanon syria jordan the west bank and gaza israel egypt and iraq they tell us much about the patient and practical work of the united nations agencies in many fields such as peacekeeping health and education

jerusalem to baghdad 1967 1992 selected letters - Feb 16 2022

web a jewish philosopher of baghdad the history of al tabari vol 39 rethinking nationalism in the arab middle east printing the talmud the encounter of eastern christianity with early islam major problems in american foreign relations volume ii since 1914 jerusalem to baghdad 1967 1992 the middle east remembered the early islamic grammatical

jerusalem to baghdad 1967 1992 selected letters hardcover - Dec 29 2022

web buy jerusalem to baghdad 1967 1992 selected letters first edition by skinner roy e isbn 9781850439516 from amazon s book store everyday low prices and free delivery on eligible orders

jerusalem to baghdad 1967 1992 selected letters copy - Aug 25 2022

web jerusalem to baghdad 1967 1992 selected letters downloaded from mail thekingiscoming com by guest braedon hull
 jerusalem 1000 1400 state university of new york press in early sunnī historiography tobias andersson presents the first full length study of the earliest islamic chronological history extant the tāriḵh

jerusalem to baghdad 1967 1992 selected letters worldcat org - Sep 06 2023

web these collected letters are entry points to the history of a turbulent region lebanon syria jordan the west bank and gaza israel egypt and iraq they tell us much about the patient and practical work of the united nations agencies in many fields such as peacekeeping health and education

jerusalem to baghdad 1967 1992 selected letters by roy e - Apr 20 2022

web jerusalem a brief history dossier blog jerusalem to baghdad 1967 1992 selected letters book jerusalem in international diplomacy jerusalem time to baghdad time converter timebie battle of jerusalem the founding of baghdad iraq building the world jerusalem to baghdad 1967 1992 selected letters roy e archives nypl israel

jerusalem to baghdad 1967 1992 selected letters - Apr 01 2023

web sep 1 1995 based on his long and varied career in the middle east roy skinner s letters provide a unique and vivid personal introduction to the contemporary history of this turbulent region revealing much about the patient and practical work of united nations agencies in peacekeeping among refugees in health and social work in education and training

jerusalem to baghdad 1967 1992 selected letters - Jun 03 2023

web responsibility roy e skinner imprint london new york radcliffe press 1995 physical description xiv 311 p ill maps 23 cm

jerusalem to baghdad 1967 1992 selected letters - Mar 20 2022

web this selection of the letters aims to include those which are of greatest philosophical interest especially those which highlight the debates between stoics and platonists or aristotelians in the first century ad and the issue still important today of how

jerusalem to baghdad 1967 1992 selected letters webcat plus - May 02 2023

web jerusalem to baghdad 1967 1992 selected letters [] skinner roy e [] selected letters [] radcliffe press [] 1995 12 31 [] 288p [] h216 x w138 isbn 9781850439516 [] [] [] []

jerusalem to baghdad 1967 1992 selected letters pdf - May 22 2022

web oct 7 2023 jerusalem to baghdad 1967 1992 selected letters 2 5 downloaded from uniport edu ng on october 7 2023 by guest geographical exploration the other wars justin fantauzzo 2019 12 12 the first full length study of the experience and memory of british and dominion soldiers in the middle east and macedonia during wwi world

jerusalem to baghdad 1967 1992 selected letters - Jun 22 2022

web jerusalem to baghdad 1967 1992 selected letters is available in our book collection an online access to it is set as public so you can download it instantly our books collection hosts in multiple locations allowing you to get the most less latency time to download any

jerusalem to baghdad 1967 1992 selected letters - Sep 25 2022

web jerusalem to baghdad 1967 1992 selected letters selected letters oct 14 2021 this book contains a collection of keats letters written over four years with extraordinary candour and self knowledge he gives us his experience of almost everything that can happen to a young man between the ages of 21 and 25 as if dec 16 2021

jerusalem to baghdad 1967 1992 selected letters google - Aug 05 2023

web dec 31 1995 jerusalem to baghdad 1967 1992 selected letters roy e skinner bloomsbury academic dec 31 1995 history 311 pages these collected letters are entry points to the history of a turbulent

jerusalem to baghdad 1967 1992 selected letters - Jan 30 2023

web how to borrow from another library search for the book on ezborrow ezborrow is the easiest and fastest way to get the book you want ebooks unavailable

jerusalem to baghdad 1967 1992 selected letters hardcover - Feb 28 2023

web jun 15 1995 jerusalem to baghdad 1967 1992 selected letters skinner roy e on amazon com free shipping on qualifying offers jerusalem to baghdad 1967 1992 selected letters

jerusalem to baghdad 1967 1992 selected letters - Oct 07 2023

web apr 1 2022 jerusalem to baghdad 1967 1992 selected letters bookreader item preview remove circle share or embed this item share to twitter share to facebook share to reddit share to tumblr share to pinterest jerusalem to baghdad 1967 1992 selected letters by skinner roy e publication date