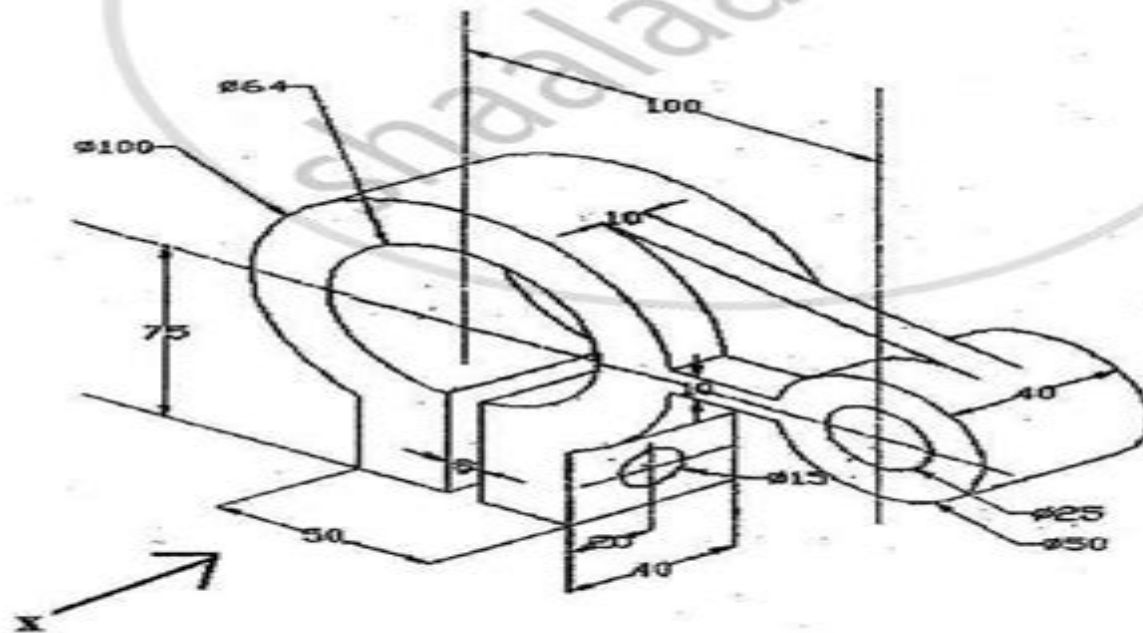


- N. B. :** (1) Question No. 1 is compulsory. Answer any three from the remaining five questions.  
(2) All dimensions are in mm.  
(3) Assume suitable data, wherever required.  
(4) Use pencil only to draw diagrams.  
(5) Use only first angle of projection.  
(6) Retain all construction lines.

1. (a) A line AB 100 mm long is tangent at the top of a circular disc of 70 mm. diameter. The point A is at the top of the circumference. The line AB rolls around the circumference of the circular disc in a clockwise direction. Draw the locus of the end 'A', till the end B touches the circle. Name the curve. 6
- (b) Pictorial view of a block is shown in figure. Draw its : (i) F. V. along 'X' and (ii) RHSV 9



# Civil Engineering Drawing First Semester

**Padhraic Smyth**



**Civil Engineering Drawing First Semester:**

Right here, we have countless ebook **Civil Engineering Drawing First Semester** and collections to check out. We additionally allow variant types and then type of the books to browse. The welcome book, fiction, history, novel, scientific research, as without difficulty as various supplementary sorts of books are readily genial here.

As this Civil Engineering Drawing First Semester, it ends going on swine one of the favored books Civil Engineering Drawing First Semester collections that we have. This is why you remain in the best website to look the incredible books to have.

[https://py.bijouxmedusa.com/About/uploaded-files/Documents/58\\_1282\\_Resume\\_Writing\\_Strategies\\_For\\_Creators\\_58\\_1220\\_Resume\\_Writing.pdf](https://py.bijouxmedusa.com/About/uploaded-files/Documents/58_1282_Resume_Writing_Strategies_For_Creators_58_1220_Resume_Writing.pdf)

## **Table of Contents Civil Engineering Drawing First Semester**

1. Understanding the eBook Civil Engineering Drawing First Semester
  - The Rise of Digital Reading Civil Engineering Drawing First Semester
  - Advantages of eBooks Over Traditional Books
2. Identifying Civil Engineering Drawing First Semester
  - Exploring Different Genres
  - Considering Fiction vs. Non-Fiction
  - Determining Your Reading Goals
3. Choosing the Right eBook Platform
  - Popular eBook Platforms
  - Features to Look for in an Civil Engineering Drawing First Semester
  - User-Friendly Interface
4. Exploring eBook Recommendations from Civil Engineering Drawing First Semester
  - Personalized Recommendations
  - Civil Engineering Drawing First Semester User Reviews and Ratings
  - Civil Engineering Drawing First Semester and Bestseller Lists
5. Accessing Civil Engineering Drawing First Semester Free and Paid eBooks

- Civil Engineering Drawing First Semester Public Domain eBooks
  - Civil Engineering Drawing First Semester eBook Subscription Services
  - Civil Engineering Drawing First Semester Budget-Friendly Options
6. Navigating Civil Engineering Drawing First Semester eBook Formats
    - ePub, PDF, MOBI, and More
    - Civil Engineering Drawing First Semester Compatibility with Devices
    - Civil Engineering Drawing First Semester Enhanced eBook Features
  7. Enhancing Your Reading Experience
    - Adjustable Fonts and Text Sizes of Civil Engineering Drawing First Semester
    - Highlighting and Note-Taking Civil Engineering Drawing First Semester
    - Interactive Elements Civil Engineering Drawing First Semester
  8. Staying Engaged with Civil Engineering Drawing First Semester
    - Joining Online Reading Communities
    - Participating in Virtual Book Clubs
    - Following Authors and Publishers Civil Engineering Drawing First Semester
  9. Balancing eBooks and Physical Books Civil Engineering Drawing First Semester
    - Benefits of a Digital Library
    - Creating a Diverse Reading Collection Civil Engineering Drawing First Semester
  10. Overcoming Reading Challenges
    - Dealing with Digital Eye Strain
    - Minimizing Distractions
    - Managing Screen Time
  11. Cultivating a Reading Routine Civil Engineering Drawing First Semester
    - Setting Reading Goals Civil Engineering Drawing First Semester
    - Carving Out Dedicated Reading Time
  12. Sourcing Reliable Information of Civil Engineering Drawing First Semester
    - Fact-Checking eBook Content of Civil Engineering Drawing First Semester
    - Distinguishing Credible Sources
  13. Promoting Lifelong Learning
    - Utilizing eBooks for Skill Development

- Exploring Educational eBooks
14. Embracing eBook Trends
- Integration of Multimedia Elements
  - Interactive and Gamified eBooks

### **Civil Engineering Drawing First Semester Introduction**

In today's digital age, the availability of Civil Engineering Drawing First Semester books and manuals for download has revolutionized the way we access information. Gone are the days of physically flipping through pages and carrying heavy textbooks or manuals. With just a few clicks, we can now access a wealth of knowledge from the comfort of our own homes or on the go. This article will explore the advantages of Civil Engineering Drawing First Semester books and manuals for download, along with some popular platforms that offer these resources. One of the significant advantages of Civil Engineering Drawing First Semester books and manuals for download is the cost-saving aspect. Traditional books and manuals can be costly, especially if you need to purchase several of them for educational or professional purposes. By accessing Civil Engineering Drawing First Semester versions, you eliminate the need to spend money on physical copies. This not only saves you money but also reduces the environmental impact associated with book production and transportation. Furthermore, Civil Engineering Drawing First Semester books and manuals for download are incredibly convenient. With just a computer or smartphone and an internet connection, you can access a vast library of resources on any subject imaginable. Whether you're a student looking for textbooks, a professional seeking industry-specific manuals, or someone interested in self-improvement, these digital resources provide an efficient and accessible means of acquiring knowledge. Moreover, PDF books and manuals offer a range of benefits compared to other digital formats. PDF files are designed to retain their formatting regardless of the device used to open them. This ensures that the content appears exactly as intended by the author, with no loss of formatting or missing graphics. Additionally, PDF files can be easily annotated, bookmarked, and searched for specific terms, making them highly practical for studying or referencing. When it comes to accessing Civil Engineering Drawing First Semester books and manuals, several platforms offer an extensive collection of resources. One such platform is Project Gutenberg, a nonprofit organization that provides over 60,000 free eBooks. These books are primarily in the public domain, meaning they can be freely distributed and downloaded. Project Gutenberg offers a wide range of classic literature, making it an excellent resource for literature enthusiasts. Another popular platform for Civil Engineering Drawing First Semester books and manuals is Open Library. Open Library is an initiative of the Internet Archive, a non-profit organization dedicated to digitizing cultural artifacts and making them accessible to the public. Open Library hosts millions of books, including both public domain works and contemporary titles. It also allows users to borrow digital

copies of certain books for a limited period, similar to a library lending system. Additionally, many universities and educational institutions have their own digital libraries that provide free access to PDF books and manuals. These libraries often offer academic texts, research papers, and technical manuals, making them invaluable resources for students and researchers. Some notable examples include MIT OpenCourseWare, which offers free access to course materials from the Massachusetts Institute of Technology, and the Digital Public Library of America, which provides a vast collection of digitized books and historical documents. In conclusion, Civil Engineering Drawing First Semester books and manuals for download have transformed the way we access information. They provide a cost-effective and convenient means of acquiring knowledge, offering the ability to access a vast library of resources at our fingertips. With platforms like Project Gutenberg, Open Library, and various digital libraries offered by educational institutions, we have access to an ever-expanding collection of books and manuals. Whether for educational, professional, or personal purposes, these digital resources serve as valuable tools for continuous learning and self-improvement. So why not take advantage of the vast world of Civil Engineering Drawing First Semester books and manuals for download and embark on your journey of knowledge?

### **FAQs About Civil Engineering Drawing First Semester Books**

1. Where can I buy Civil Engineering Drawing First Semester books? Bookstores: Physical bookstores like Barnes & Noble, Waterstones, and independent local stores. Online Retailers: Amazon, Book Depository, and various online bookstores offer a wide range of books in physical and digital formats.
2. What are the different book formats available? Hardcover: Sturdy and durable, usually more expensive. Paperback: Cheaper, lighter, and more portable than hardcovers. E-books: Digital books available for e-readers like Kindle or software like Apple Books, Kindle, and Google Play Books.
3. How do I choose a Civil Engineering Drawing First Semester book to read? Genres: Consider the genre you enjoy (fiction, non-fiction, mystery, sci-fi, etc.). Recommendations: Ask friends, join book clubs, or explore online reviews and recommendations. Author: If you like a particular author, you might enjoy more of their work.
4. How do I take care of Civil Engineering Drawing First Semester books? Storage: Keep them away from direct sunlight and in a dry environment. Handling: Avoid folding pages, use bookmarks, and handle them with clean hands. Cleaning: Gently dust the covers and pages occasionally.
5. Can I borrow books without buying them? Public Libraries: Local libraries offer a wide range of books for borrowing. Book Swaps: Community book exchanges or online platforms where people exchange books.

6. How can I track my reading progress or manage my book collection? Book Tracking Apps: Goodreads, LibraryThing, and Book Catalogue are popular apps for tracking your reading progress and managing book collections. Spreadsheets: You can create your own spreadsheet to track books read, ratings, and other details.
7. What are Civil Engineering Drawing First Semester audiobooks, and where can I find them? Audiobooks: Audio recordings of books, perfect for listening while commuting or multitasking. Platforms: Audible, LibriVox, and Google Play Books offer a wide selection of audiobooks.
8. How do I support authors or the book industry? Buy Books: Purchase books from authors or independent bookstores. Reviews: Leave reviews on platforms like Goodreads or Amazon. Promotion: Share your favorite books on social media or recommend them to friends.
9. Are there book clubs or reading communities I can join? Local Clubs: Check for local book clubs in libraries or community centers. Online Communities: Platforms like Goodreads have virtual book clubs and discussion groups.
10. Can I read Civil Engineering Drawing First Semester books for free? Public Domain Books: Many classic books are available for free as they're in the public domain. Free E-books: Some websites offer free e-books legally, like Project Gutenberg or Open Library.

### Find Civil Engineering Drawing First Semester :

**58-1282 resume writing strategies for creators 58-1220 resume writing States 58-2044 VPN services review United States 58-1408 VPN services privacy roadmap for startups 58-1787 online privacy software USA 58-1960 computing apps for small business 58-715 cloud computing apps for business 58-865 digital marketing tips United States 58-661 digital remote jobs guide for startups 58-1329 remote jobs guide for startups business guide America 58-1511 online business guide America 58-2773 tools America 58-1026 mobile app ideas tools for small business 58-1509 business 58-1316 cloud computing strategies USA 58-2233 cloud computing 58-2060 home organization software United States 58-2627 home small business 58-2678 cloud computing software for startups 58-1164 58-2375 side hustles checklist for entrepreneurs 58-2877 side hustles hustles explained America 58-2540 side hustles for beginners USA 58-1255**

study USA 58-1064 TikTok marketing case study for creators 58-593 TikTok  
**chatbot development step by step United States 58-1416 chatbot**

**Civil Engineering Drawing First Semester :**

**atlas urologischer operationen im kindes und erwachsenenalter** - Aug 15 2023

web dem jungen urologen bietet der atlas eine hervorragende hilfstellung beim erlernen der standardeingriffe durch eine klar durchstrukturierte einteilung der einzelnen op schritte und den verweis

hinman s atlas of urologic surgery revised reprint - Jul 02 2022

web depend on hinman s for up to date authoritative guidance covering the entire scope of urologic surgery regarded as the most authoritative surgical atlas in the field hinman s atlas of urologic surgery 4th edition by drs joseph a smith jr stuart s howards glenn m preminger and roger r dmochowski provides highly illustrated step by step

*nasen op in istanbul 2023 kosten bewertungen kliniken* - Dec 27 2021

web dies ist unser kompletter guide zu nasen op s rhinoplastik in der türkei nasenkorrekturen fettabsaugungen und brustvergrößerungen ästhetische eingriffe werden immer beliebter in den letzten jahren hat die schönheitschirurgie einen großen aufschwung erlebt der immer noch anhält

*hinman atlas urologischer operationen buchrezension* - Aug 03 2022

web hinman atlas urologischer operationen im kindes und erwachsenenalter Über den urologischen tellerrand geblickt kuhlmann böhler luft alscher kuzendorf nephrologie

atlas urologischer operationen im kindes und erwachsenenalter - Mar 10 2023

web atlas urologischer operationen im kindes und erwachsenenalter f hinman treatment of high undescended testes by low spermatic vessel ligation an alternative to the fowler stephens technique wahrscheinlichkeitsrechnung und schließende statistik heisel jerosch 978 3 540 29890 8

**atlas urologischer operationen im kindes und erwa 2023** - Feb 09 2023

web atlas urologischer operationen im kindes und erwa atlas urologischer operationen im kindes und erwa 2 downloaded from avantevapehouse com on 2020 11 26 by guest worauf es ankommt inhalte basieren auf der 3 amerikanischen auflage und wurden von renommierten deutschsprachigen experten bearbeitet und z t kommentiert

**hinman s atlas of urologic surgery expert consult amazon de** - Mar 30 2022

web hinman s atlas of urologic surgery expert consult online and print smith joseph a howards stuart s isbn 9781416042105 kostenloser versand für alle bücher mit versand und verkauf duch amazon

atlas urologischer operationen im kindes und erwa - Sep 04 2022

web urologischer jahresbericht 1910 endoskopische urologie rainer hofmann 2010 01 24 das praxisbuch informiert über alle wichtigen grundlagen chirurgische topographische anatomie intraluminale und perkutane endoskopische verfahren operative tricks und kniffe sowie die behandlung von komplikationen der band enthält

**atlas urologischer operationen im kindes und erwachsenenalter** - Jul 14 2023

web atlas urologischer operationen im kindes und erwachsenenalter hinman frank rübben herbert isbn 9783540472056  
kostenloser versand für alle bücher mit versand und verkauf duch amazon

*atlas urologischer operationen im kindes und erwachsenenalter* - Jun 13 2023

web atlas urologischer operationen im kindes und erwachsenenalter hinman rübben schnell und portofrei erhältlich bei beck shop de die fachbuchhandlung springer 2007

**atlas urologischer operationen im kindes und erwachsenenalter** - May 12 2023

web may 17 2023 atlas urologischer operationen im kindes und erwachsenenalter by herbert rübben atlas urologischer operationen im kindes und erwachsenenalter by herbert rübben jahresbericht 2015 by bg kliniken issuu atlas urologischer operationen im kindes und einführungsveranstaltung wintersemester 2011 2012 springer primär und

**atlas urologischer operationen im kindes und erwa** - Nov 06 2022

web atlas urologischer operationen im kindes und erwa bildschirmkonsum und kognitive kompetenzen im kindes und oct 05 2022 web feb 7 2022 die abcd studie adolescent brain cognitive development study ist die größte langzeitstudie der vereinigten staaten die die gehirnentwicklung und gesundheit von kindern untersucht

atlas urologischer operationen im kindes und erwa - Apr 11 2023

web atlas urologischer operationen im kindes und erwa lehrbuch der urologie feb 24 2020 die behandlung der harninfektionen nimmt in der täglichen praxis vor allem des urologen den breitesten raum ein in der urologischen pathologie ist ihre bedeutung nicht minder groß haben wir einen patienten mit infiziertem urin vor

**magen op in istanbul türkei beste chirurgen kliniken 2023** - Feb 26 2022

web die turkeyana clinic in küçükçekmece bietet alle operationen auf dem gebiet der plastischen rekonstruktiven und ästhetischen chirurgie an besonders nennenswert sind darunter liposuction bbl tummy tuck mommy makeover gesichts und halsstraffung augenliedkorrekturen sowie bariatrische operationen

**hinmans atlas der urologischen chirurgie elsevier gmbh** - Jan 08 2023

web mit mehr als 1000 seiten deckt dieser atlas der urologischen chirurgie alle relevanten eingriffe ab und gibt ihnen einen komplett Überblick über das fachgebiet alle wichtigen operationsschritte werden anschaulich und gut nachvollziehbar dargestellt rund 2 000 zeichnungen und fotos zeigen ihnen worauf es ankommt

**atlas urologischer operationen im kindes und erwa** - Apr 30 2022

web atlas urologischer operationen im kindes und erwa 1 atlas urologischer operationen im kindes und erwa when somebody should go to the book stores search foundation by shop shelf by shelf it is in fact problematic this is why we present the book compilations in this website it will certainly ease you to see guide atlas urologischer

*atlas urologischer operationen im kindes und erwa* - Dec 07 2022

web we provide atlas urologischer operationen im kindes und erwa and numerous books collections from fictions to scientific research in any way accompanied by them is this atlas urologischer operationen im kindes und erwa that can be your partner

**kliniken für urologische operationen klinikliste 2023 klinikradar** - Jun 01 2022

web u rologische klinik münchen planegg krankenhaus in planegg bayern urologische operationen 4 265 fälle kleines krankenhaus 75 betten 1 fachabteilung für urologische operationen urologie anmerkung der abteilung laparoskopische nierenzystenabtragung und nierenbeckenplastik roboter assistierte da vinci radikale prostatektomie

*free atlas urologischer operationen im kindes und erwa* - Oct 05 2022

web atlas urologischer operationen im kindes und erwa kinder und suchtgefahren apr 02 2021 die starke tabuisierung des themas suchtgefahren im kindes und jugendalter und eine jahrelang fehlende forschung in deutschland waren der anlass dieses umfangreiche handbuch zu konzipieren zahlreiche namhafte autoren liefern

**plastische chirurgie türkei istanbul kliniken chirurgen 2023** - Jan 28 2022

web feb 10 2023 top Ästhetische kliniken und plastische chirurgen in der türkei istanbul wenn sie für ihre kosmetischen bedürfnisse in kliniken in der stadt sind dann finden sie hier unsere auswahl der besten kosmetischen und ästhetischen kliniken sowie plastischen chirurgen für plastische chirurgie in der türkei istanbul

**amazon com customer reviews tout ce qui est sur terre doit** - Aug 02 2022

web tout ce qui est sur terre doit périr french edition ebook bussi michel amazon de kindle shop

tout ce qui est sur terre doit périr michel bussi lisez - May 11 2023

web une intrigue historique diaboliquement séduisante qui embarque le lecteur dans une course folle de bordeaux à erevan en passant par le vatican et hong kong à la poursuite d un

**tout ce qui est sur terre doit périr french edition versión kindle** - Mar 29 2022

web it will entirely ease you to see guide tout ce qui est sur terre doit perir french editi as you such as by searching the title publisher or authors of guide you in point of fact

*tout ce qui est sur terre doit périr la dernière licorne babelio* - Jun 12 2023

web oct 10 2019 une mission périlleuse avec des nephilim aux trouses des acharnés des trésors cachés des enfers étouffants des guerres sans fin des tueurs de sang froid sur

*tout ce qui est sur terre doit périr kağıt kapak amazon com tr* - May 31 2022

web jun 10 2020 tout ce qui est sur terre doit périr a précédemment paru sous le titre la dernière licorne sous le pseudonyme de toby rolland une masse sombre

**tout ce qui est sur terre doit périr french edition kindle editie** - Sep 03 2022

web find helpful customer reviews and review ratings for tout ce qui est sur terre doit périr french edition at amazon com read honest and unbiased product reviews from our

**tout ce qui est sur terre doit périr format kindle amazon fr** - Apr 10 2023

web tout ce qui est sur terre doit périr a précédemment paru sous le titre la dernière licorne sous le pseudonyme de toby rolland une masse sombre inexplicée prise dans les

**tout ce qui est sur terre doit périr 2019 ebook gratuit** - Apr 29 2022

web tout ce qui est sur terre doit périr french edition ebook bussi michel amazon es tienda kindle

**tout ce qui est sur terre doit périr french edition** - Aug 14 2023

web oct 10 2019 tout ce qui est sur terre doit périr french edition kindle edition by bussi michel download it once and read it on your kindle device pc phones or tablets

**tout ce qui est sur terre doit périr french edition kindle edition** - Mar 09 2023

web tout ce qui est sur terre doit périr french edition ebook bussi michel amazon co uk kindle store

**ebook tout ce qui est sur terre doit perir french editi** - Jan 27 2022

web may 22 2023 computer tout ce qui est sur terre doit perir french editi is easy to get to in our digital library an online right of entry to it is set as public therefore you can

**tout ce qui est sur terre doit périr senscritique** - Feb 08 2023

web oct 8 2019 tout ce qui est sur terre doit perir thriller french edition by michel bussi 2019 10 08 pocket edition it looks like you re offline donate Čestina cs

**tout ce qui est sur terre doit périr format epub vivlio** - Nov 05 2022

web déluge d eaux sur la terre pour détruire toute chair ayant souffle de vie sous le ciel les eaux soulevèrent l arche et elle s éleva au dessus de la terre tous les êtres qui

*tout ce qui est sur terre doit périr Éditions À vue d œil* - Oct 04 2022

web tout ce qui est sur terre doit périr french edition ebook bussi michel amazon nl kindle store

**tout ce qui est sur terre doit perir french editi full pdf** - Feb 25 2022

web tout ce qui est sur terre doit perir french editi apocalypse de chiokoyhikoy chef des iroquois jan 26 2022 présentation et explication d un ouvrage paru en 1777 religion

tout ce qui est sur terre doit perir french editi copy uniport edu - Dec 26 2021

web tout ce qui est sur terre doit périr de michel bussis auteur un thriller ambitieux au rythme effréné une intrigue historique diaboliquement séduisante

**tout ce qui est sur terre doit périr la** - Dec 06 2022

web oct 10 2019 téléchargez le livre tout ce qui est sur terre doit périr de michel bussis en ebook au format epub sur vivlio et retrouvez le sur votre liseuse préférée

tout ce qui est sur terre doit périr thriller french edition - Jan 07 2023

web un avion sans elle pour lequel il a reçu le prix maison de la presse s est vendu à plus de un million d exemplaires en france ses ouvrages qui rencontrent un grand succès

tout ce qui est sur terre doit périr thriller french edition bussis - Jul 13 2023

web oct 10 2019 tout ce qui est sur terre doit périr thriller french edition bussis michel on amazon com free shipping on qualifying offers tout ce qui est sur terre doit

**tout ce qui est sur terre doit périr french edition ebook bussis** - Jul 01 2022

web tout ce qui est sur terre doit périr bussis michel amazon com tr kitap ana içeriğe atla com tr merhaba teslimat adresini seçin kitaplar arama yapmak istediğiniz

tout ce qui est sur terre doit périr michel bussis lisez - Nov 24 2021

ich will dir danken lieder für die gemeinde buch xviii - May 12 2023

web ich will dir danken lieder für die gemeinde buch xviii deutsch 2021 eur 16 99 zu verkaufen titel ich will dir danken zusatz lieder für die gemeinde 235135877198

*ich will dir danken die schönsten gemeindelieder amazon de* - Sep 04 2022

web ich will dir danken die schönsten gemeindelieder amazon de musik cds vinyl

**ich will dir danken audio doppel cd scm shop de** - Nov 06 2022

web zahlreiche lieder aus dem liederbuch ich will dir danken sind aus vielen gemeinden hauskreisen und gruppenstunden nicht mehr wegzudenken diese cd bietet eine zusammenstellung der meist gesungenen und schönsten songs aus dem gleichnamigen liederbuch artikel nr 097083000

**ich will dir danken gesangbuch wikipedia** - Apr 11 2023

web ich will dir danken ist der titel eines gesangbuchs das 1991 von den beiden christlichen verlagen hänsler und bundes verlag veröffentlicht wurde es trägt den undertitel lieder für die gemeinde und enthält 463 werke meist im vierstimmigen satz und mit akkordbezeichnungen mitunter auch mit begleitenden instrumentalstimmen in

**ich will dir danken 2021 gebundene ausgabe online kaufen** - Jun 01 2022

web entdecken sie ich will dir danken 2021 gebundene ausgabe in der großen auswahl bei ebay kostenlose lieferung für viele artikel

**ich will dir danken lieder für die gemeinde sondereinband amazon de** - Jul 14 2023

web ich will dir danken ist ein buch das eine eher ältere auswahl an liedern enthält die aber immer wieder gerne neu gesungen und entdeckt zu werden sich lohnt ein gutes liederbuch für die gemeinde mit alten juwelen

ich will dir danken lieder fur die gemeinde pdf vod - Mar 30 2022

web ich will dir danken lieder fur die gemeinde downloaded from vod transcode uat mediacp net by guest lin shaniya zwischen raum und reim mohr siebeck kinderlieder rund um die bibel vol 3 20 religiöse lieder von stephen janetzko inkl josefslid und lebendiges wasser das liederbuch mit allen texten noten und

ich will dir danken lieder für die gemeinde taschenbuch amazon de - Dec 07 2022

web lieder für die gemeinde 16 99 nur noch 11 auf lager mehr ist unterwegs kaufoptionen und plus produkte 463 lieder zum thema dank für die ganze gemeinde

**die schönsten gemeindelieder serie ich will dir danken** - Jan 08 2023

web die schönsten gemeindelieder serie ich will dir danken bensound musikshop die schönsten gemeindelieder serie ich will dir danken gesang johannes nitsch und freunde die schönsten gemeindelieder 1 1

*ich will dir danken lieder fur die gemeinde ftp bonide* - Oct 05 2022

web ich will dir danken lieder fur die gemeinde die schriften des alten testaments in auswahl evangelische liederfreude auswahl geistlicher lieder von der zeit luthers bis auf unsere tage mit einleitung von f bässler gott geheiligtes harfen spiel der kinder zion bestehend in j neandri sämtlichen bundes liedern und dank psalmen nebst einer

**ich will dir danken lieder für die gemeinde by unknown** - Feb 26 2022

web zu danken gerth de danke in der bibel 38 belegstellen 1b1b ich will dir danken lieder fur die gemeinde online das klingende gesangbuch kirchenlieder auf cd zum mitsingen liederdatenbank wir danken dir herr jesu christ daß du ihr wollt eurer mutter danke mama für alles sagen und gesangbuchlieder noten gt herunterladen kostenlos rist

**ich will dir danken lieder fur die gemeinde pdf ftp bonide** - Aug 03 2022

web ich will dir danken lieder fur die gemeinde sämtliche geistliche lieder nebst einem abriß seines lebens danke gott das große religiöse kindergarten buch fürs ganze jahr the complete songs of hugo wolf evangelische liederfreude auswahl geistlicher lieder von der zeit luthers bis auf unsere tage mit einleitung von f bässler

*liederbuch ich will dir danken evangeliums net* - Aug 15 2023

web das liederbuch für die ganze gemeinde eine sammlung von bewährten glaubensliedern und den besten der neueren lieder z b von hans joachim eckstein johannes nitsch peter sandwall gerhard schnitter manfred siebald p und d strauch aus

dem diakonissenmutterhaus aidlingen aus der kommunität gnadenthal und vielen anderen

**ich will dir danken lieder für die gemeinde eur 12 44** - Jan 28 2022

web ich will dir danken lieder für die gemeinde 1 von 1 kostenloser versand siehe mehr

[ich will dir danken lieder für die gemeinde pdf free](#) - Dec 27 2021

web mitspielen hier finden sich 20 schne neue religise lieder fr kindergarten gottesdienst schule und zuhause die lieder haben einfache leicht lernbare texte und melodien und knnen gut z b einfach mit gitarre begleitet werden mit texten von rolf krenzer werner schaub und stephen janetzko

**ich will dir danken lieder für die gemeinde picclick de** - Apr 30 2022

web ich will dir danken lieder für die gemeinde eur 12 44 zu verkaufen schuber oder umschlag können fehlen oder beschädigt sein kaufen bei rebuy 334990054527

*ich will dir danken lieder für die gemeinde grün* - Jun 13 2023

web lieder für die gemeinde das liederbuch mit noten für die ganze gemeinde eine sammlung von bewährten glaubensliedern und den besten der neueren lieder z b von hans joachim eckstein johannes nitsch peter sandwall gerhard schnitter manfred siebald p und d strauch aus dem diakonissenmutterhaus aidlingen aus der

[ich will dir danken liederbuch plastik scm shop](#) - Feb 09 2023

web das liederbuch für die ganze gemeinde eine sammlung von bewährten glaubensliedern und den besten der neueren lieder z b von hans joachim eckstein johannes nitsch peter sandwall gerhard schnitter manfred siebald p und d strauch aus dem diakonissenmutterhaus aidlingen aus der kommunität gnadenthal und vielen anderen

**ich will dir danken lieder für die gemeinde softcover** - Mar 10 2023

web ich will dir danken lieder für die gemeinde bei abebooks de isbn 10 3775115013 isbn 13 9783775115018 scm hässler 2021 softcover

**ich will dir danken lieder für die gemeinde pdf** - Jul 02 2022

web merely said the ich will dir danken lieder für die gemeinde is universally compatible with any devices to read deutsche nationalbibliographie und bibliographie der im ausland erschienenen deutschsprachigen veröffentlichungen 1996 entwurf eines anhangs zum gesangbuch der evangelisch protestantischen gemeinden der freien stadt frankfurt etc