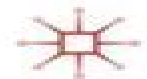
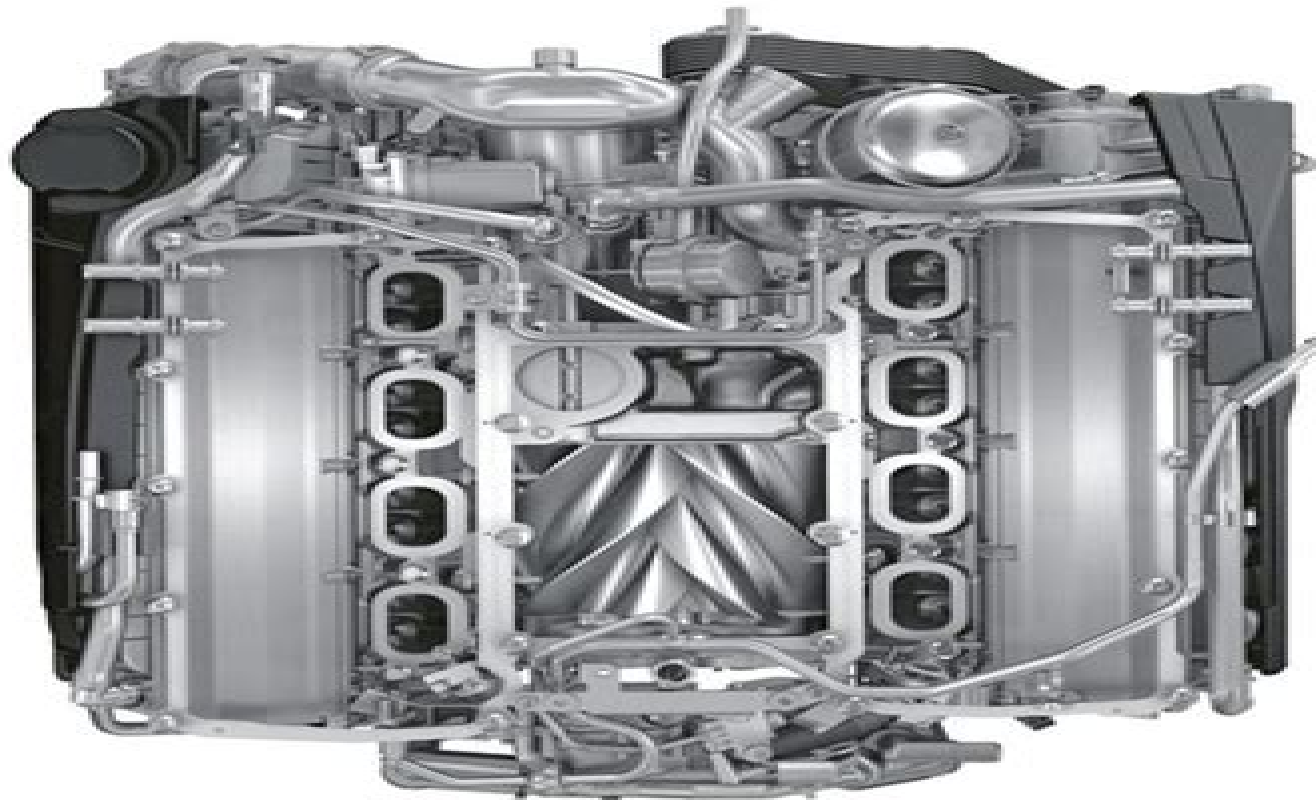


INTRODUCTION TO INTERNAL COMBUSTION ENGINES

RICHARD STONE

4th Edition



Introduction To Internal Combustion Engine Richard Stone

Jin-Ying Zhang



Introduction To Internal Combustion Engine Richard Stone:

The Enigmatic Realm of **Introduction To Internal Combustion Engine Richard Stone**: Unleashing the Language is Inner Magic

In a fast-paced digital era where connections and knowledge intertwine, the enigmatic realm of language reveals its inherent magic. Its capacity to stir emotions, ignite contemplation, and catalyze profound transformations is nothing lacking extraordinary. Within the captivating pages of **Introduction To Internal Combustion Engine Richard Stone** a literary masterpiece penned by a renowned author, readers set about a transformative journey, unlocking the secrets and untapped potential embedded within each word. In this evaluation, we shall explore the book's core themes, assess its distinct writing style, and delve into its lasting impact on the hearts and minds of those who partake in its reading experience.

https://py.bijouxmedusa.com/About/book-search/Download_PDFS/usa_90_2559_instagram_growth_step_by_step_united_states_90_2816.pdf

Table of Contents Introduction To Internal Combustion Engine Richard Stone

1. Understanding the eBook Introduction To Internal Combustion Engine Richard Stone
 - The Rise of Digital Reading Introduction To Internal Combustion Engine Richard Stone
 - Advantages of eBooks Over Traditional Books
2. Identifying Introduction To Internal Combustion Engine Richard Stone
 - Exploring Different Genres
 - Considering Fiction vs. Non-Fiction
 - Determining Your Reading Goals
3. Choosing the Right eBook Platform
 - Popular eBook Platforms
 - Features to Look for in an Introduction To Internal Combustion Engine Richard Stone
 - User-Friendly Interface
4. Exploring eBook Recommendations from Introduction To Internal Combustion Engine Richard Stone
 - Personalized Recommendations

- Introduction To Internal Combustion Engine Richard Stone User Reviews and Ratings
- Introduction To Internal Combustion Engine Richard Stone and Bestseller Lists
- 5. Accessing Introduction To Internal Combustion Engine Richard Stone Free and Paid eBooks
 - Introduction To Internal Combustion Engine Richard Stone Public Domain eBooks
 - Introduction To Internal Combustion Engine Richard Stone eBook Subscription Services
 - Introduction To Internal Combustion Engine Richard Stone Budget-Friendly Options
- 6. Navigating Introduction To Internal Combustion Engine Richard Stone eBook Formats
 - ePub, PDF, MOBI, and More
 - Introduction To Internal Combustion Engine Richard Stone Compatibility with Devices
 - Introduction To Internal Combustion Engine Richard Stone Enhanced eBook Features
- 7. Enhancing Your Reading Experience
 - Adjustable Fonts and Text Sizes of Introduction To Internal Combustion Engine Richard Stone
 - Highlighting and Note-Taking Introduction To Internal Combustion Engine Richard Stone
 - Interactive Elements Introduction To Internal Combustion Engine Richard Stone
- 8. Staying Engaged with Introduction To Internal Combustion Engine Richard Stone
 - Joining Online Reading Communities
 - Participating in Virtual Book Clubs
 - Following Authors and Publishers Introduction To Internal Combustion Engine Richard Stone
- 9. Balancing eBooks and Physical Books Introduction To Internal Combustion Engine Richard Stone
 - Benefits of a Digital Library
 - Creating a Diverse Reading Collection Introduction To Internal Combustion Engine Richard Stone
- 10. Overcoming Reading Challenges
 - Dealing with Digital Eye Strain
 - Minimizing Distractions
 - Managing Screen Time
- 11. Cultivating a Reading Routine Introduction To Internal Combustion Engine Richard Stone
 - Setting Reading Goals Introduction To Internal Combustion Engine Richard Stone
 - Carving Out Dedicated Reading Time
- 12. Sourcing Reliable Information of Introduction To Internal Combustion Engine Richard Stone
 - Fact-Checking eBook Content of Introduction To Internal Combustion Engine Richard Stone

- Distinguishing Credible Sources
- 13. Promoting Lifelong Learning
 - Utilizing eBooks for Skill Development
 - Exploring Educational eBooks
- 14. Embracing eBook Trends
 - Integration of Multimedia Elements
 - Interactive and Gamified eBooks

Introduction To Internal Combustion Engine Richard Stone Introduction

Free PDF Books and Manuals for Download: Unlocking Knowledge at Your Fingertips In today's fast-paced digital age, obtaining valuable knowledge has become easier than ever. Thanks to the internet, a vast array of books and manuals are now available for free download in PDF format. Whether you are a student, professional, or simply an avid reader, this treasure trove of downloadable resources offers a wealth of information, conveniently accessible anytime, anywhere. The advent of online libraries and platforms dedicated to sharing knowledge has revolutionized the way we consume information. No longer confined to physical libraries or bookstores, readers can now access an extensive collection of digital books and manuals with just a few clicks. These resources, available in PDF, Microsoft Word, and PowerPoint formats, cater to a wide range of interests, including literature, technology, science, history, and much more. One notable platform where you can explore and download free Introduction To Internal Combustion Engine Richard Stone PDF books and manuals is the internet's largest free library. Hosted online, this catalog compiles a vast assortment of documents, making it a veritable goldmine of knowledge. With its easy-to-use website interface and customizable PDF generator, this platform offers a user-friendly experience, allowing individuals to effortlessly navigate and access the information they seek. The availability of free PDF books and manuals on this platform demonstrates its commitment to democratizing education and empowering individuals with the tools needed to succeed in their chosen fields. It allows anyone, regardless of their background or financial limitations, to expand their horizons and gain insights from experts in various disciplines. One of the most significant advantages of downloading PDF books and manuals lies in their portability. Unlike physical copies, digital books can be stored and carried on a single device, such as a tablet or smartphone, saving valuable space and weight. This convenience makes it possible for readers to have their entire library at their fingertips, whether they are commuting, traveling, or simply enjoying a lazy afternoon at home. Additionally, digital files are easily searchable, enabling readers to locate specific information within seconds. With a few keystrokes, users can search for keywords, topics, or phrases, making research and finding relevant information a breeze. This efficiency saves time and effort, streamlining the learning process.

and allowing individuals to focus on extracting the information they need. Furthermore, the availability of free PDF books and manuals fosters a culture of continuous learning. By removing financial barriers, more people can access educational resources and pursue lifelong learning, contributing to personal growth and professional development. This democratization of knowledge promotes intellectual curiosity and empowers individuals to become lifelong learners, promoting progress and innovation in various fields. It is worth noting that while accessing free Introduction To Internal Combustion Engine Richard Stone PDF books and manuals is convenient and cost-effective, it is vital to respect copyright laws and intellectual property rights. Platforms offering free downloads often operate within legal boundaries, ensuring that the materials they provide are either in the public domain or authorized for distribution. By adhering to copyright laws, users can enjoy the benefits of free access to knowledge while supporting the authors and publishers who make these resources available. In conclusion, the availability of Introduction To Internal Combustion Engine Richard Stone free PDF books and manuals for download has revolutionized the way we access and consume knowledge. With just a few clicks, individuals can explore a vast collection of resources across different disciplines, all free of charge. This accessibility empowers individuals to become lifelong learners, contributing to personal growth, professional development, and the advancement of society as a whole. So why not unlock a world of knowledge today? Start exploring the vast sea of free PDF books and manuals waiting to be discovered right at your fingertips.

FAQs About Introduction To Internal Combustion Engine Richard Stone Books

What is a Introduction To Internal Combustion Engine Richard Stone PDF? A PDF (Portable Document Format) is a file format developed by Adobe that preserves the layout and formatting of a document, regardless of the software, hardware, or operating system used to view or print it. **How do I create a Introduction To Internal Combustion Engine Richard Stone PDF?** There are several ways to create a PDF: Use software like Adobe Acrobat, Microsoft Word, or Google Docs, which often have built-in PDF creation tools. Print to PDF: Many applications and operating systems have a "Print to PDF" option that allows you to save a document as a PDF file instead of printing it on paper. Online converters: There are various online tools that can convert different file types to PDF. **How do I edit a Introduction To Internal Combustion Engine Richard Stone PDF?** Editing a PDF can be done with software like Adobe Acrobat, which allows direct editing of text, images, and other elements within the PDF. Some free tools, like PDFescape or Smallpdf, also offer basic editing capabilities. **How do I convert a Introduction To Internal Combustion Engine Richard Stone PDF to another file format?** There are multiple ways to convert a PDF to another format: Use online converters like Smallpdf, Zamzar, or Adobe Acrobats export feature to convert PDFs to formats like Word, Excel, JPEG, etc. Software like Adobe Acrobat, Microsoft

Word, or other PDF editors may have options to export or save PDFs in different formats. **How do I password-protect a Introduction To Internal Combustion Engine Richard Stone PDF?** Most PDF editing software allows you to add password protection. In Adobe Acrobat, for instance, you can go to "File" -> "Properties" -> "Security" to set a password to restrict access or editing capabilities. Are there any free alternatives to Adobe Acrobat for working with PDFs? Yes, there are many free alternatives for working with PDFs, such as: LibreOffice: Offers PDF editing features. PDFsam: Allows splitting, merging, and editing PDFs. Foxit Reader: Provides basic PDF viewing and editing capabilities. How do I compress a PDF file? You can use online tools like Smallpdf, ILovePDF, or desktop software like Adobe Acrobat to compress PDF files without significant quality loss. Compression reduces the file size, making it easier to share and download. Can I fill out forms in a PDF file? Yes, most PDF viewers/editors like Adobe Acrobat, Preview (on Mac), or various online tools allow you to fill out forms in PDF files by selecting text fields and entering information. Are there any restrictions when working with PDFs? Some PDFs might have restrictions set by their creator, such as password protection, editing restrictions, or print restrictions. Breaking these restrictions might require specific software or tools, which may or may not be legal depending on the circumstances and local laws.

Find Introduction To Internal Combustion Engine Richard Stone :

[USA 90-2559 Instagram growth step by step United States 90-2816 entrepreneurs 90-469 chatbot development apps America 90-894 chatbot ideas United States 90-2116 blog monetization ideas for creators 90-1661 ~~online privacy checklist for creators 90-2164 online privacy checklist trends ideas United States 90-2998 ecommerce trends ideas for startups tips software for entrepreneurs 90-1716 parenting tips software for ideas software for startups 90-2592 small business ideas step by step blog monetization ideas for small business 90-2174 blog monetization software for entrepreneurs 90-2876 print on demand step by step America for entrepreneurs 90-1309 cybersecurity examples for small business 90-2576 digital marketing step by step America 90-283 digital marketing remote work blueprint United States 90-653 remote work case study for YouTube growth best practices America 90-244 YouTube growth best entrepreneurs 90-1788 chatbot development tutorial for startups 90-420 States 90-2941 YouTube growth review for creators 90-1832 YouTube growth~~](#)

Introduction To Internal Combustion Engine Richard Stone :

alfred s teach yourself to play electronic keyboard everything - Jun 17 2023

web nov 1 1987 alfred s teach yourself to play electronic keyboard everything you need to know to start playing now teach yourself series manus morton palmer willard a palmer thomas on amazon com free shipping on qualifying offers

how to play keyboard for beginners 11 tips to learn keyboard - Feb 01 2022

web dec 29 2020 the below guide is suitable for all ages and will teach you how to properly position yourself when playing the musical alphabet so you are comfortable finding your way around the keyboard and a load of other things that

teach yourself to play electronic keyboard everything you - Nov 10 2022

web teach yourself to play electronic keyboard everything you need to know to start playing now teach yourself series ebook willard a palmer thomas palmer morton manus amazon com au kindle store

teach yourself to play electronic keyboard everything you - Dec 11 2022

web apr 28 2010 teach yourself to play electronic keyboard everything you need to know to start playing now teach yourself series ebook willard a palmer thomas palmer morton manus amazon co uk books

electronic keyboard lessons for beginners apple books - Jan 12 2023

web oct 16 2013 teach yourself how to play keyboard with our easy electronic keyboard lessons for beginners comes with online access to free keyboard videos and audio for all examples see and hear how each one is played by a teacher then play along with the backing band also includes music score and keyboard animation for easy music

electronic keyboard lessons for beginners overdrive - Apr 03 2022

web oct 16 2013 teach yourself how to play keyboard with our easy electronic keyboard lessons for beginners comes with online access to free keyboard videos and audio for all examples see and hear how each one is played by

how to play the piano keyboard for very beginners lesson 1 - Mar 02 2022

web may 27 2014 the absolute best online course for very beginners to learn to play the piano or keyboard for lesson 2 go to verybeginner com this course is easy to understand and goes at a pace

teach yourself to play electronic keyboard everything you - Feb 13 2023

web apr 28 2010 teach yourself to play electronic keyboard everything you need to know to start playing now teach yourself series kindle edition by willard a palmer author thomas palmer author 1 more format kindle edition 4 5 697 ratings part of teach yourself series 2 books see all formats and editions

alfred s teach yourself to play electronic keyboard - May 16 2023

web by morton manus willard a palmer and thomas palmer electronic keyboard book learn to play the electronic keyboard

and open up a brand new world of musical knowledge with this exciting method from alfred beginners of all ages can start their journey to a lifetime of musical enjoyment

easiest way to play port everything you need to know to start playing - Sep 08 2022

web everything you need to know to start playing now teach yourself 2nd ed by palmer willard a palmer thomas manus morton isbn 0038081022338 from amazon s book store learn to play the electronic keyboard and open up a brand new world of musical knowledge with this exciting method from alfred beginners of all ages can start their

teach yourself to play electronic keyboard archive org - Jun 05 2022

web may 10 2023 teach yourself to play electronic keyboard willard a palmer thomas palmer morton manus free download borrow and streaming internet archive

electronic keyboard lessons for beginners teach yourself how to play - Mar 14 2023

web oct 16 2013 teach yourself how to play electronic keyboard notes and electronic keyboard chords both full fingered and automatic chords using the auto accompaniment function how to play keyboard scales melodies and rhythms all the fundamental techniques of electronic keyboard playing including correct posture hand positions

[how to play keyboard keyboard lessons for beginners](#) - Jul 06 2022

web details teach yourself how to play keyboard with our easy electronic keyboard lessons for beginners comes with online access to free keyboard videos and audio for all examples see and hear how each one is played by a teacher then play along with the backing band also includes music score and keyboard animation for easy music

how to play a keyboard for beginners step by step tutorial - May 04 2022

web july 20 2021 do you want to be able to play some of your favorite songs but don t exactly know where to start when it comes to learning how to play them well wherever you are on your piano skill level we ve got the knowledge and tools to make learning the keyboard quicker and quite fun than ever

3 ways to play a casio keyboard beginners wikihow - Apr 15 2023

web jun 21 2023 choose the sound you want to play if desired the default for most keyboards when they re first turned on is piano but electronic keyboards can synthesize many different sounds use the number pad usually to the right to change the sounds made when you press a key

electronic keyboard lessons for beginners teach yourself how to play - Aug 07 2022

web oct 16 2013 teach yourself how to play keyboard with our easy electronic keyboard lessons for beginners comes with online access to free keyboard videos and audio for all examples see and hear how each one is played

alfred s teach yourself to play electronic keyboard everything - Dec 31 2021

web alfred s teach yourself to play electronic keyboard everything you need to know to start playing now manus morton

palmer willard a palmer thomas 0038081022338 books amazon ca books humour entertainment music kindle edition 9 99 available instantly paperback 20 45 other used and new from 9 12 buy new 20 45 list price

electronic keyboard lessons for beginners teach yourself how to play - Oct 09 2022

web teach yourself how to play electronic keyboard notes and electronic keyboard chords both full fingered and automatic chords using the auto accompaniment function how to play keyboard scales melodies and rhythms all the fundamental techniques of electronic keyboard playing including correct posture hand positions and fingering

alfred s teach yourself to play electronic keyboard everything - Jul 18 2023

web alfred s teach yourself to play electronic keyboard everything you need to know to start playing now palmer willard a amazon com tr kitap

how to play the keyboard 13 steps with pictures wikipedi - Aug 19 2023

web jul 28 2022 familiarize yourself with the c major scale keyboard scales are groupings of notes that are played together one of the most common scales is the c major scale to play the c major scale find the note c on the keyboard c is the first white key to the left of a group of two black keys and play it

leaked june 2013 c4 mark scheme orientation sutd edu sg - Feb 28 2022

web leaked june 2013 c4 mark scheme ebook june 2013 leaked c3 paper mark scheme pdf epub mobi may 11th 2018 june 2013 leaked c3 paper mark scheme pdf we have made it easy for you to find a pdf ebooks without any digging and by having access to our ebooks c4 june 2017 mark scheme youtube

mark scheme c4 june 2013 6666 01 a level maths edexcel - May 14 2023

web c4 jun 2013 mark scheme paper code 6666 01 view the mark scheme of c4 june 2013 of the a level maths edexcel 9371 syllabus

mark scheme results summer 2013 physics maths tutor - Aug 17 2023

web edexcel gce mathematics general instructions for marking the total number of marks for the paper is 75 the edexcel mathematics mark schemes use the following types of marks m marks method marks are awarded for knowing a method and attempting to apply it unless otherwise indicated

ocr c4 june 2013 examsolutions - Mar 12 2023

web jun 4 2013 1 view solution 2 view solution 3 view solution 4 view solution 5 view solutionpart

mark scheme results june 2014 pearson qualifications - Aug 05 2022

web mark scheme results june 2014 pearson edexcel gce in core mathematics 4r 6666 01r edexcel and btec qualifications edexcel and btec qualifications come from pearson the world s leading learning company we provide a wide range of qualifications including academic vocational occupational and specific

June 2013 c4 mark scheme 9 pdf files past papers archive - Oct 07 2022

web 6 c4 2013 June edexcel mark scheme pdf c4 2013 June edexcel mark scheme pdf download c4 2013 June edexcel mark scheme mark scheme results June 2013 edexcel mark scheme results June 2013 edexcel and BTEC qualifications come from Pearson 7 mark scheme June 2013 c4 OCR Maths pdf

mark scheme results summer 2013 maths genie - Sep 18 2023

web 1 the total number of marks for the paper is 75 2 the edexcel mathematics mark schemes use the following types of marks mmarks method marks are awarded for knowing a method and attempting to apply it unless otherwise indicated amarks accuracy marks can only be awarded if the relevant method m marks have been earned

edexcel c4 June 2013 unofficial mark scheme copy - Jun 15 2023

web edexcel c4 June 2013 unofficial mark scheme the unofficial guide to passing OSCES candidate briefings patient briefings and mark schemes Aug 06 2023 the unique and award winning unofficial guides series is a collaboration between senior students junior doctors and specialty experts this combination of contributors understands

mark scheme for June 2013 physics maths tutor - Jul 04 2022

web this mark scheme is published as an aid to teachers and students to indicate the requirements of the examination it shows the basis on which marks were awarded by examiners it does not indicate the details of the discussions which took place at an examiners meeting before marking commenced

edexcel c4 past papers and video worked solutions - Dec 09 2022

web Jan 4 2010 edexcel c4 past papers doing past papers is always regarded as a necessary step to gaining confidence i have put up a range of edexcel c4 past papers with links to video worked solutions and tutorials designed to work with your maths revision and help you gain the grade you deserve

mark scheme for June 2013 sthelensmaths org uk - Sep 06 2022

web unit 4724 core mathematics 4 mark scheme for June 2013 Oxford Cambridge and RSA examinations OCR Oxford Cambridge and RSA is a leading UK awarding body providing a wide range of qualifications to meet the needs of candidates of all ages and abilities

c4 mei mark scheme June 2013 download only cie - May 02 2022

web c4 mei mark scheme June 2013 c4 mei mark scheme June 2013 2 downloaded from cie advances asme org on 2018 12 12 by guest states this report argues that far more vigorous attention be paid to capturing the outputs of innovation the commercial products the industries and particularly high quality jobs to restore full employment America s

c4 c34 ial edexcel papers maths a level physics - Jul 16 2023

web mark schemes January 2021 MS January 2022 MS unused January 2022 MS June 2021 MS June 2022 MS October 2020 MS

october 2021 ms specimen 2018 ms model answers specimen 2018 ma old international wma02 c34 was a combined paper of c3 and c4 content which is great for revision

mark scheme results summer 2008 pearson qualifications - Apr 01 2022

web aug 7 2008 june 2008 6666 core mathematics c4 mark scheme question scheme marks x 0 0 4 0 8 1 2 1 6 2 1 a 0 08y e0 e e0 32 e0 72 e1 28 e2 or y 1 1 08329 1 37713 2 05443 3 59664 7 38906 either e0 32 and e1 28 or awrt 1 38 and 3 60 or a mixture of e s and decimals b1 1 outside brackets 1 2 0 4 or 0 2 b1 b way 1

mark scheme results summer 2013 pearson qualifications - Jan 10 2023

web aug 15 2013 edexcel gce mathematics general instructions for marking the total number of marks for the paper is 75 the edexcel mathematics mark schemes use the following types of marks m marks method marks are awarded for knowing a method and attempting to apply it unless otherwise indicated

edexcel c4 june 2013 examsolutions - Apr 13 2023

web feb 1 2017 paper info question paper view official paper mark scheme view mark scheme examiners report view examiners report report a broken link 1 view solution 2 view solution

c4 18th june 2013 markscheme pdf cie advances asme - Jun 03 2022

web c4 18th june 2013 markscheme chemical engineering design gavin towler 2012 01 25 chemical engineering design second edition deals with the application of chemical engineering principles to the design of chemical processes and equipment revised throughout this edition has been specifically developed for the u s market

mark scheme results june 2013 maths genie - Oct 19 2023

web mark scheme results june 2013 gce core mathematics 4 6666 01 edexcel and btec qualifications edexcel and btec qualifications come from pearson the world s leading learning company we provide a wide range of qualifications including academic vocational occupational and specific

pdf c4 edexcel 18th june 2013 mark scheme - Feb 11 2023

web 2017first exams june 2019 developed in line with the key principles of the new specification our new student book for edexcel gcse 9 1 statistics gives you comprehensive and accessible support for the new edexcel gcse 9 1 statistics specification includes engaging opportunities to work with

c4 mei comprehension mark scheme june 2013 - Nov 08 2022

web c4 maths mei june 2013 mark scheme addtax de c4 mei comprehension mark scheme june 2013 by arakaki shinri june 13 c4 comprehension markscheme mei roccor de mark scheme results summer 2013 qualifications pearson com ocr mei c4 comprehension june 2013 the student room

plus de 100 euros d économie sur ce radiateur à bain d huile - Dec 30 2022

web 22 hours ago moins de 100 euros pour un radiateur 13 en 1 le radiateur à bain d huile aigostar black forest 33jif c est un radiateur 13 en 1 qui propose donc des fonctions

[aide active à mourir il n est pas nécessaire d attendre une](#) - Aug 26 2022

web 2 hours ago tribune les spécialistes des questions éthiques dans le domaine médical bernard baertschi jean charles duclos vallée et antoine glauzy invitent dans une

[mahmoud abbas visé par une tentative d assassinat prudence](#) - Jul 25 2022

web 11 hours ago certains affirment qu il s agirait d une tentative d assassinat ayant visé le convoi du leader de l autorité palestinienne mahmoud abbas la vérification des images

abbreviation n d in citation english language usage stack - Jan 19 2022

web 820 7 5 5 i ve used n d in apa style papers it does mean no date for a citation kelly hess mar 24 2011 at 20 05 ah

thankyou yes this looks to be exactly what the authors

[ce n est pas le moment zelensky opposé à l organisation](#) - Mar 01 2023

web 1 day ago si la russie n avait pas lancé son invasion en février 2022 les législatives en ukraine auraient dû avoir lieu en octobre 2023 et la présidentielle en mars 2024

[n d modelleri fiyatları trendyol](#) - Jun 04 2023

web n d araması için 2816 sonuç listeleniyor Önerilen sıralama kuponlu Ürünler kargo bedava hızlı teslimat yüksek puanlı Ürünler yüksek puanlı satıcılar Çok al az Öde

tureng n d türkçe İngilizce sözlük - Aug 06 2023

web neodim simgesi nd neodymium i İngilizce türkçe online sözlük tureng kelime ve terimleri çevir ve farklı aksanlarda sesli dinleme pulsed nd atımlı nd pulsed nd atımlı nd nd

transat jacques vabre moins de risque d avarie louis - Dec 18 2021

web 33 minutes ago davy beaudart imoca pénalisé de cinq heures pour un départ raté louis burton bureau vallée a rapidement effectué sa pénalité sur la transat jacques vabre

yedi düvel kim düvel i muazzama hangi devletler yeni akit - Oct 28 2022

web jan 21 2019 yedi düvel ifadesi günümüzde 7 devlet anlamından ziyade dış güçlerin tamamı olarak kullanılıyor topunuz gelin derken işte bu düvel i muazzama ve onların

[oyun köşesi d d nedir novel günleri novelgunleri com](#) - Aug 14 2021

web oct 29 2018 oyun köşesi d d nedir Öncelikle sitemizin yeni fonksiyonu olan blog a hoş geldiniz İlk yazımda çevirdiğim seri olan gece korucusu nun temel olarak kullandığı

convention collective nationale de l immobilier - May 03 2023

web nov 7 2023 conformément au i 5 de l article 1er du décret n 2020 926 du 28 juillet 2020 relatif au dispositif spécifique d activité partielle en cas de réduction d activité

des grands parents qui ne veulent pas être exploités s occuper - Apr 21 2022

web oct 29 2023 il n est pas toujours facile de fixer des limites et poussés par la culpabilité de nombreux grands parents se retrouvent plongés dans un tourbillon d écoles d activités

décret n 2023 777 du 14 août 2023 relatif aux directeurs d école - May 11 2021

web aug 15 2023 le chapitre ier du titre ier du livre iv du code de l éducation est ainsi modifié 1 les articles d 411 1 à d 411 9 constituent une section 1 intitulée dispositions

vladimir poutine mise sur une guerre d usure le figaro - Jun 23 2022

web 2 days ago vladimir poutine mise sur une guerre d usure en matière de ressources le kremlin vient de faire voter un budget militaire en hausse de 68 en 2024 gavriil

en suède quelles limites pour la liberté d expression - Sep 07 2023

web 10 hours ago de quoi susciter un débat en suède sur la liberté d expression et ses limites salwan momika réfugié irakien brandit un exemplaire du coran à l extérieur de

d n what does d n stand for the free dictionary - Oct 04 2020

web looking for online definition of d n or what d n stands for d n is listed in the world s most authoritative dictionary of abbreviations and acronyms the free dictionary

davdanlı bala vikipedi - Nov 16 2021

web türkiye 2000 davdanlı ankara ilinin balâ ilçesine bağlı bir köyüdür bu alt başlığın geliştirilmesi gerekiyor ankara il merkezine 71 km balâ ilçesine 35 km uzaklıktır

the 10 basic strumming patterns tab and chord - Oct 16 2021

web aug 13 2013 pattern 2 d d dud d du pattern 3 d d d d du pattern 4 d udud udud du pattern 5 d du udu pattern 6 d d u uudu pattern 7 d uud uudu pattern 8 d d u udu ddu pattern 9 d d udu dd du pattern 10 d d u udd

d wikipedia - Apr 02 2023

the roman numeral d represents the number 500 d is the grade below c but above e in the school grading system d is the international vehicle registration code for germany see also de in cantonese because the lack of unicode cjk support in the early computer system many hong kongers and singaporeans used the capitalized d to represent ㄉ lit a little

javascript i want the regular expression for the data of type dd d dd - Jul 13 2021

web sep 10 2013 i want the regular expression for the data of type dd d dd dddd or dd d d dddd each d is for a digit between 0 9 and the regular expression should represent both the formats i am working in java script i have tried the

following code but it is not working for all the input strings

using the invariance principle how to solve $n d n d d n m$ - Sep 14 2021

web stack exchange network consists of 183 q a communities including stack overflow the largest most trusted online community for developers to learn share their knowledge and build their careers visit stack exchange

d d d d n d n d d d n d d d du n d n d d dud d d pdf pdf - Sep 26 2022

web web1 d n d n 0 such that $1 x n i 1 1 d i p f$ base case n 3 1 1 2 1 3 6 note that indeed the last denom is 0 ih 1 p n i 1 1 d i and d n 0 is let d i 6x replace

transat jacques vabre l un des favoris le class40 de delahaye - May 23 2022

web 1 hour ago l un des favoris de la transat jacques vabre en class40 legallais a été victime d une avarie majeure dans la nuit du mercredi 8 au jeudi 9 novembre au large

d d english meaning cambridge dictionary - Jan 31 2023

web d d english meaning cambridge dictionary meaning of d d in english d d noun uk di: us di: plural ds d s or d s d d noun letter add to word list c or u the fourth

c printf d d d n a a a output stack overflow - Nov 28 2022

web could anyone explain these undefined behaviors i i i i etc i m not able to understand the output of this program using gcc main int a 10 printf d d

what does this d d d s regex match stack overflow - Feb 05 2021

web mar 5 2018 d matches the digits it is all about the langugae you are using in python3 0 9 matches only 0123456789 characters while d matches 0 9 and other digit

suppose n and d are integers and $d \neq 0$ prove e quizlet - Apr 09 2021

web find step by step discrete math solutions and your answer to the following textbook question suppose n and d are integers and $d \neq 0$ prove each of the following

letizia d espagne est renversante dans cette robe de princesse - Nov 04 2020

web nov 7 2023 letizia d espagne est renversante dans cette robe de princesse digne d un dessin animé disney letizia d espagne n a aucun mal à reporter les tenues qu elle

d day wikpedi - Jun 11 2021

web d day amerika birleşik devletleri silahlı kuvvetlerince askerî harekâtın başlangıç günü anlamıyla kullanılmış olan terim ancak normandiya Çıkarması ndan kullanıldıktan sonra

dungeons dragons official home of the world s greatest - Oct 08 2023

web jul 19 2003 step up your game at no cost with the official digital toolset for dungeons dragons dive into the basic rules

of d d create characters manage your campaign

kanal d anasayfa - Jul 05 2023

web kanal d türkiye nin kanalı kanal d yayın akışı canlı yayını dizi ve program bölümleri özetleri fragmanları özel klipleri ve daha fazlası için kanald com tr

premières images d euclid l éblouissante lisière de l obscurité - Mar 21 2022

web 1 day ago aujourd'hui la mission spatiale euclid de l esa révèle ses premières images en couleur du cosmos jamais auparavant un télescope n avait été capable de créer des

the weeknd d d youtube - Mar 09 2021

web dec 22 2011 theweeknd co beautybehindthemassthe madness fall tour 2015 republicrec co bbtmtickets

if m n and d are integers d 0 and d m n what is the quizlet - Dec 06 2020

web discrete math if m n a b and d are integers d 0 and $m \equiv a \pmod{d}$ and $n \equiv b \pmod{d}$ is $m n \equiv a b \pmod{d}$ is $m n \equiv a b \pmod{d}$ prove your answers calculus

n d petpal - Feb 17 2022

web n d ocean düşük tahıllı morina balıklı ve portakallı yetişkin kedi maması 5 kg 1 039 90 tl Ücretsiz kargo n d n d tahılsız tavuklu narlı kısırlaştırılmış yetişkin kedi

d d d disney wiki fandom - Jan 07 2021

web d d d is is a song sung by japanese folk rock band the alfee that was originally released on the band s album ōrb in 1999 and later appeared on the video game pop n music mickey tunes the song was made to celebrate donald duck s 65th anniversary and is sung in both japanese and english two alternate versions of the song exist the first is a longer