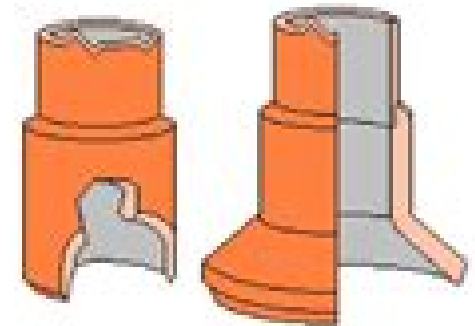


Well COMPLETION

5. OTHERS

5.1 Wireline Entry Guide (WLEG)

- Bottom most tubing accessories.
- Provide easy access for WL tools into tubing.

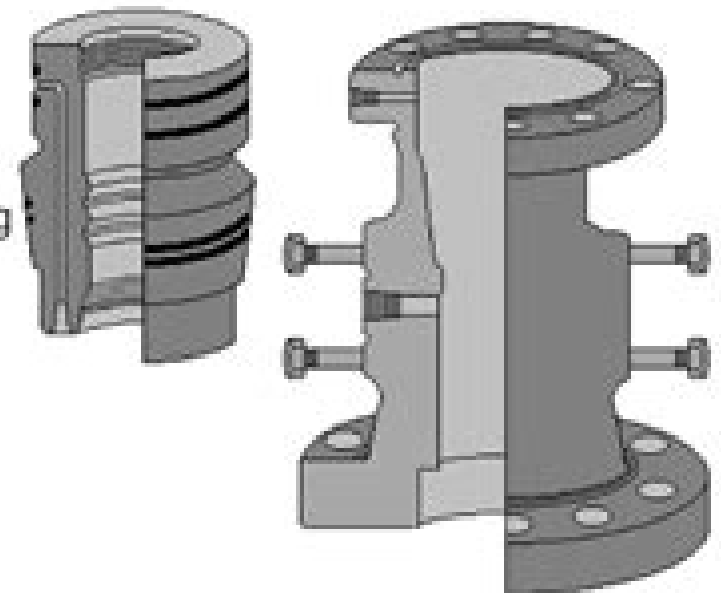


5.2 Perforated Joint

- Eliminate flow restrictions.
- Provide true downhole flow readings.

5.3 Control Line

- Transport hydraulic fluid to SCSSV
- Continuous length & securely clamped on tubing wall.



5.4 Tubing Hanger

- Set in THS , suspend tubing weight & provide sealing.
- BPV Receptacle

Wireline Operations Manual

Jicheng Xie



Wireline Operations Manual:

Standard Handbook of Petroleum and Natural Gas Engineering William C. Lyons, Gary J Plisga BS, 2011-03-15 This new edition of the Standard Handbook of Petroleum and Natural Gas Engineering provides you with the best state of the art coverage for every aspect of petroleum and natural gas engineering With thousands of illustrations and 1 600 information packed pages this text is a handy and valuable reference Written by over a dozen leading industry experts and academics the Standard Handbook of Petroleum and Natural Gas Engineering provides the best most comprehensive source of petroleum engineering information available Now in an easy to use single volume format this classic is one of the true must haves in any petroleum or natural gas engineer s library A classic for the oil and gas industry for over 65 years A comprehensive source for the newest developments advances and procedures in the petrochemical industry covering everything from drilling and production to the economics of the oil patch Everything you need all the facts data equipment performance and principles of petroleum engineering information not found anywhere else A desktop reference for all kinds of calculations tables and equations that engineers need on the rig or in the office A time and money saver on procedural and equipment alternatives application techniques and new approaches to problems

Wireline Operations and Procedures American Petroleum Institute. Division of Production, 1964

Wireline Operations Jack B. Hall, 1988

Wireline Operations and Procedures American Petroleum Institute. Production Department, 1994

Oilfield Survival Guide, Volume One: For All Oilfield Situations Matthew J. Hatami, 2017-01-02 Save Money Time and Lives with the Real World Oil Gas Experience of Others Learning the Hard Way in the Oilfield can Cost You Millions sometimes Billions of Dollars in addition to Injury and Loss of Life Cut Through the Noise to Focus on the Most Critical Aspects of Working in the Oil and Gas Business Based on over 1 000 Oil and Gas Situations involving Drilling Cementing Fracking Wireline Coil Tubing Snubbing Running Tools Welding Production Workover Logging Trucking Geology Land Engineering Resource Development Executive Management and much much more Expand Your Value Creation Opportunities by Learning from the Real World Experience of Others Whether you work in the office or in the field work as a Company Man Engineer Driller Tool Pusher Roughneck Geologist Landman Truck Driver Frac Hand Treater Cementer Lawyer Flowback Hand Welder Geophysicist Snubber Pumper Equipment Operator Derrick Man Mechanic Petrophysicist Roustabout Manager Director VP or Executive consider adding Oilfield Survival Guide to your toolbox of knowledge In other words if you work hard for your money in the oil business this book is for you The oil gas industry is one of the most capital intensive businesses today As a result mistakes situations can be expensive in addition to injury and loss of life To prevent undesirable situations Oilfield Survival Guide was created based on over 1 000 oil gas situations The ultimate guide for all oil and gas situations Tactics Procedures Fatalities Short Stories Train Wrecks Disaster Avoidance Court Cases Life Savings Skills Checklists Troubleshooting Problem Job Prevention Oilfield Survival Guide is the ultimate oil industry resource to help manage oilfield risk and avoid mistakes by increasing your oil and gas knowledge and

intelligence utilizing a variety of methods including Tactics Short and to the point guidelines to reduce risk and instill work principles to be successful in the oil industry from the field to the office Short Stories Experience from the mistakes of others Fatalities Detailed analysis of oil and gas tragedies Court Cases Jury trials expert witness testimony and legal opinions on a variety of oil and gas cases Procedures Step by step process to create oilfield procedures and checklists along with multiple examples Operations Analysis Oil and gas operations post mortem highlighting key learnings practical knowledge useful tips and best practices Over 1 000 oil and gas situations analyzed to create Oilfield Survival Guide *The Practical Handbook of Well Control* Rahman Ashena,2025-02-21 The Practical Handbook of Well Control teaches readers to safeguard well safety and integrity in drilling well engineering Offering an applied and scientific point of view it covers fundamental aspects of well control and includes practical procedures and well control methods for land and offshore operations It features a wealth of questions to commonly encountered problems and comprehensive answers at the end of each topical discussion to test reader comprehension Written in a concise accessible way by experienced oilfield and academic experts Covers all related technical subjects of well control Describes modern aspects of well control including automatic well control advances in outflow measurement artificial intelligence and IoT techniques for early kick detection mud gas separators and riser gas modeling Includes case studies to familiarize readers with real world problems and solutions Offers a full explanation of each problem to familiarize readers with commonly faced issues Features sample exercises with comprehensive answers useful for IWCF and IADC exams This handbook serves as a valuable reference and workbook for field drilling and workover engineers in the energy sector [Policy-Driven Mobile Ad hoc Network Management](#) Ritu Chadha,Latha Kant,2007-10-23 This book should be immensely interesting to those trying to decide what MANET research is worth undertaking and why J Christopher Ramming Program Manager Defense Advanced Research Projects Agency DARPA Strategic Technology Office A thorough comprehensive treatment of mobile ad hoc network management Mobile ad hoc networking is a hot topic gaining importance in both commercial and military arenas Now that the basics in the field have settled and standards are emerging the time is right for a book on management of these networks From two experts in the field Policy Driven Mobile Ad hoc Network Management provides comprehensive coverage of the management challenges associated with mobile ad hoc networks MANETs and includes an in depth discussion of how policy based network management can be used for increasing automation in the management of mobile ad hoc networks This book provides readers with a complete understanding of mobile ad hoc network management and many related topics including Network management requirements for MANETs with an emphasis on the differences between the management requirements for MANETs as compared to static wireline networks The use of policies for managing MANETs to increase automation and to tie together management components via policies Policy conflict detection and resolution Aspects of MANETs that need to be configured and reconfigured at all layers of the protocol stack Methodologies for providing survivability in the face of both hard and soft failures in MANETs The components

of a Quality of Service QoS management solution for MANETs based on the widely used Differentiated Services DiffServ paradigm Important open research issues in the area of MANET management Policy Driven Mobile Ad hoc Network Management is an ideal resource for professionals researchers and advanced graduate students in the field of IP network management who are interested in mobile ad hoc networks

Well Control for Completions and Interventions Howard Crumpton,2018-04-04 Well Control for Completions and Interventions explores the standards that ensure safe and efficient production flow well integrity and well control for oil rigs focusing on the post Macondo environment where tighter regulations and new standards are in place worldwide Too many training facilities currently focus only on the drilling side of the well s cycle when teaching well control hence the need for this informative guide on the topic This long awaited manual for engineers and managers involved in the well completion and intervention side of a well s life covers the fundamentals of design equipment and completion fluids In addition the book covers more important and distinguishing components such as well barriers and integrity envelopes well kill methods specific to well completion and other forms of operations that involve completion like pumping and stimulation including hydraulic fracturing and shale coiled tubing wireline and subsea intervention Provides a training guide focused on well completion and intervention Includes coverage of subsea and fracturing operations Presents proper well kill procedures Allows readers to quickly get up to speed on today s regulations post Macondo for well integrity barrier management and other critical operation components

Proceedings of the International Field Exploration and Development Conference 2023 Jia'en Lin,2024-03-11 This book focuses on reservoir surveillance and management reservoir evaluation and dynamic description reservoir production stimulation and EOR ultra tight reservoir unconventional oil and gas resources technology oil and gas well production testing and geomechanics This book is a compilation of selected papers from the 13th International Field Exploration and Development Conference IFEDC 2023 The conference not only provides a platform to exchanges experience but also promotes the development of scientific research in oil gas exploration and production The main audience for the work includes reservoir engineer geological engineer enterprise managers senior engineers as well as students

Proceedings - Offshore Technology Conference ,1998 **Federal Register** ,1999-07-08 **A Guide to Coalbed Methane Operations** Vicki A. Hollub,Paul S. Schafer,1992 The Oil and Gas Journal ,1930 **Petroleum Engineering Handbook** Howard B. Bradley,Fred W. Gipson,1987 **Proceedings ... SPE Annual Technical Conference and Exhibition** Society of Petroleum Engineers (U.S.). Technical Conference and Exhibition,1992 **The Standard and Poor's 500 Guide** Standard & Poor's,2005-12 Text and statistical data on 500 individual companies Drilling International ,1967 Petroleum Engineer International ,1982 **Petroleum Engineering Handbook** Larry W. Lake,2006 The Petroleum Engineering Handbook has long been recognized as a valuable comprehensive reference book that offers practical day to day applications for students and experienced engineering professionals alike The Petroleum Engineering Handbook is now a series of 7

volumes Volume IV Production Operations Engineering will bring readers up to date in the areas of design equipment selection and operation procedures for most oil and gas wells Chapters cover three main topic areas well completions problems caused by formation damage and artificial lift a major concern for production engineers **Training Manual** United States. Army. Signal Corps,1925

The Enigmatic Realm of **Wireline Operations Manual**: Unleashing the Language is Inner Magic

In a fast-paced digital era where connections and knowledge intertwine, the enigmatic realm of language reveals its inherent magic. Its capacity to stir emotions, ignite contemplation, and catalyze profound transformations is nothing in short supply of extraordinary. Within the captivating pages of **Wireline Operations Manual** a literary masterpiece penned by way of a renowned author, readers embark on a transformative journey, unlocking the secrets and untapped potential embedded within each word. In this evaluation, we shall explore the book's core themes, assess its distinct writing style, and delve into its lasting impact on the hearts and minds of those who partake in its reading experience.

https://py.bijouxmedusa.com/files/Resources/Download_PDFS/Organic%20Chemistry%206th%20Edition%20Brown%20Foote%20Iverson%20Anslyn%20Solution%20Manual%20Pdf.pdf

Table of Contents Wireline Operations Manual

1. Understanding the eBook Wireline Operations Manual
 - The Rise of Digital Reading Wireline Operations Manual
 - Advantages of eBooks Over Traditional Books
2. Identifying Wireline Operations Manual
 - Exploring Different Genres
 - Considering Fiction vs. Non-Fiction
 - Determining Your Reading Goals
3. Choosing the Right eBook Platform
 - Popular eBook Platforms
 - Features to Look for in an Wireline Operations Manual
 - User-Friendly Interface
4. Exploring eBook Recommendations from Wireline Operations Manual
 - Personalized Recommendations
 - Wireline Operations Manual User Reviews and Ratings

- Wireline Operations Manual and Bestseller Lists
- 5. Accessing Wireline Operations Manual Free and Paid eBooks
 - Wireline Operations Manual Public Domain eBooks
 - Wireline Operations Manual eBook Subscription Services
 - Wireline Operations Manual Budget-Friendly Options
- 6. Navigating Wireline Operations Manual eBook Formats
 - ePub, PDF, MOBI, and More
 - Wireline Operations Manual Compatibility with Devices
 - Wireline Operations Manual Enhanced eBook Features
- 7. Enhancing Your Reading Experience
 - Adjustable Fonts and Text Sizes of Wireline Operations Manual
 - Highlighting and Note-Taking Wireline Operations Manual
 - Interactive Elements Wireline Operations Manual
- 8. Staying Engaged with Wireline Operations Manual
 - Joining Online Reading Communities
 - Participating in Virtual Book Clubs
 - Following Authors and Publishers Wireline Operations Manual
- 9. Balancing eBooks and Physical Books Wireline Operations Manual
 - Benefits of a Digital Library
 - Creating a Diverse Reading Collection Wireline Operations Manual
- 10. Overcoming Reading Challenges
 - Dealing with Digital Eye Strain
 - Minimizing Distractions
 - Managing Screen Time
- 11. Cultivating a Reading Routine Wireline Operations Manual
 - Setting Reading Goals Wireline Operations Manual
 - Carving Out Dedicated Reading Time
- 12. Sourcing Reliable Information of Wireline Operations Manual
 - Fact-Checking eBook Content of Wireline Operations Manual
 - Distinguishing Credible Sources

13. Promoting Lifelong Learning
 - Utilizing eBooks for Skill Development
 - Exploring Educational eBooks
14. Embracing eBook Trends
 - Integration of Multimedia Elements
 - Interactive and Gamified eBooks

Wireline Operations Manual Introduction

Free PDF Books and Manuals for Download: Unlocking Knowledge at Your Fingertips In today's fast-paced digital age, obtaining valuable knowledge has become easier than ever. Thanks to the internet, a vast array of books and manuals are now available for free download in PDF format. Whether you are a student, professional, or simply an avid reader, this treasure trove of downloadable resources offers a wealth of information, conveniently accessible anytime, anywhere. The advent of online libraries and platforms dedicated to sharing knowledge has revolutionized the way we consume information. No longer confined to physical libraries or bookstores, readers can now access an extensive collection of digital books and manuals with just a few clicks. These resources, available in PDF, Microsoft Word, and PowerPoint formats, cater to a wide range of interests, including literature, technology, science, history, and much more. One notable platform where you can explore and download free Wireline Operations Manual PDF books and manuals is the internet's largest free library. Hosted online, this catalog compiles a vast assortment of documents, making it a veritable goldmine of knowledge. With its easy-to-use website interface and customizable PDF generator, this platform offers a user-friendly experience, allowing individuals to effortlessly navigate and access the information they seek. The availability of free PDF books and manuals on this platform demonstrates its commitment to democratizing education and empowering individuals with the tools needed to succeed in their chosen fields. It allows anyone, regardless of their background or financial limitations, to expand their horizons and gain insights from experts in various disciplines. One of the most significant advantages of downloading PDF books and manuals lies in their portability. Unlike physical copies, digital books can be stored and carried on a single device, such as a tablet or smartphone, saving valuable space and weight. This convenience makes it possible for readers to have their entire library at their fingertips, whether they are commuting, traveling, or simply enjoying a lazy afternoon at home. Additionally, digital files are easily searchable, enabling readers to locate specific information within seconds. With a few keystrokes, users can search for keywords, topics, or phrases, making research and finding relevant information a breeze. This efficiency saves time and effort, streamlining the learning process and allowing individuals to focus on extracting the information they need. Furthermore, the availability of free PDF books and manuals fosters a culture of continuous learning. By removing

financial barriers, more people can access educational resources and pursue lifelong learning, contributing to personal growth and professional development. This democratization of knowledge promotes intellectual curiosity and empowers individuals to become lifelong learners, promoting progress and innovation in various fields. It is worth noting that while accessing free Wireline Operations Manual PDF books and manuals is convenient and cost-effective, it is vital to respect copyright laws and intellectual property rights. Platforms offering free downloads often operate within legal boundaries, ensuring that the materials they provide are either in the public domain or authorized for distribution. By adhering to copyright laws, users can enjoy the benefits of free access to knowledge while supporting the authors and publishers who make these resources available. In conclusion, the availability of Wireline Operations Manual free PDF books and manuals for download has revolutionized the way we access and consume knowledge. With just a few clicks, individuals can explore a vast collection of resources across different disciplines, all free of charge. This accessibility empowers individuals to become lifelong learners, contributing to personal growth, professional development, and the advancement of society as a whole. So why not unlock a world of knowledge today? Start exploring the vast sea of free PDF books and manuals waiting to be discovered right at your fingertips.

FAQs About Wireline Operations Manual Books

1. Where can I buy Wireline Operations Manual books? Bookstores: Physical bookstores like Barnes & Noble, Waterstones, and independent local stores. Online Retailers: Amazon, Book Depository, and various online bookstores offer a wide range of books in physical and digital formats.
2. What are the different book formats available? Hardcover: Sturdy and durable, usually more expensive. Paperback: Cheaper, lighter, and more portable than hardcovers. E-books: Digital books available for e-readers like Kindle or software like Apple Books, Kindle, and Google Play Books.
3. How do I choose a Wireline Operations Manual book to read? Genres: Consider the genre you enjoy (fiction, non-fiction, mystery, sci-fi, etc.). Recommendations: Ask friends, join book clubs, or explore online reviews and recommendations. Author: If you like a particular author, you might enjoy more of their work.
4. How do I take care of Wireline Operations Manual books? Storage: Keep them away from direct sunlight and in a dry environment. Handling: Avoid folding pages, use bookmarks, and handle them with clean hands. Cleaning: Gently dust the covers and pages occasionally.
5. Can I borrow books without buying them? Public Libraries: Local libraries offer a wide range of books for borrowing.

- Book Swaps: Community book exchanges or online platforms where people exchange books.
6. How can I track my reading progress or manage my book collection? Book Tracking Apps: Goodreads, LibraryThing, and Book Catalogue are popular apps for tracking your reading progress and managing book collections. Spreadsheets: You can create your own spreadsheet to track books read, ratings, and other details.
 7. What are Wireline Operations Manual audiobooks, and where can I find them? Audiobooks: Audio recordings of books, perfect for listening while commuting or multitasking. Platforms: Audible, LibriVox, and Google Play Books offer a wide selection of audiobooks.
 8. How do I support authors or the book industry? Buy Books: Purchase books from authors or independent bookstores. Reviews: Leave reviews on platforms like Goodreads or Amazon. Promotion: Share your favorite books on social media or recommend them to friends.
 9. Are there book clubs or reading communities I can join? Local Clubs: Check for local book clubs in libraries or community centers. Online Communities: Platforms like Goodreads have virtual book clubs and discussion groups.
 10. Can I read Wireline Operations Manual books for free? Public Domain Books: Many classic books are available for free as they're in the public domain. Free E-books: Some websites offer free e-books legally, like Project Gutenberg or Open Library.

Find Wireline Operations Manual :

organic chemistry 6th edition brown foote iverson anslyn solution manual pdf

paint primer formulation guide

patience passion quartet 2 lisa valdez cehangore

~~oxford success study guide grade 11 kingwa~~

oscar 2018 candidatos

organic chemistry janice smith 3rd edition solutions manual download

parametric architecture with grasshopper by arturo tedeschi

paul hoang business and management revision workbook

pasar pengertian ciri fungsi jenis macam dan contohnya

pea pisum sativum usda

pawn of prophecy the belgariad no 1

panel data analysis advantages and challenges

organizational behavior 12th edition international edition
organic chemistry 6th edition solutions manual vollhardt
oracle exam papers

Wireline Operations Manual :

menschen am sonntag 1930 sinefil - Apr 30 2022

web menschen am sonntag orijinal adı menschen am sonntag olan 1930 yapımı bu filmde sessiz sinema doneminin unutulmaz yapıtları arasında yer alan ve kurgu ile belg

menschen am sonntag film rezensionen de - Aug 03 2022

web dec 17 2020 menschen am sonntag ist eine interessante mischung aus spielfilm und dokumentation neben der stadt als lebens und wohnraum interessieren sich die beteiligten filmmacher vor allem für den typus mensch wie dieser von der stadt beeinflusst wird und welche freiräume er sich erkämpft

múm plays menschen am sonntag le cool istanbul - Mar 30 2022

web nordik müzik deyince akla gelen ilk isimlerden biri aslında onlar deneyselliğin sınırlarını zorlayan elektronik altyapıların eşliğinde yumuşak vokalleriyle ruhumuza işleyen mum salon seyircisinin aşına olduğu kuzey rüzgarlarını yeniden şehre getiriyor

múm menschen am sonntag trailer istanbul concert leipzig - Sep 04 2022

web short excerpt from the second improvised performance of menschen am sonntag by múm featuring magnús tryggvason eliasen on drums the third performance istanbul concert leipzig performance

garanti caz yeşili múm plays menschen am sonntag - Jan 28 2022

web kategoriler close müzik

people on sunday wikipedia - Jul 14 2023

web people on sunday german menschen am sonntag is a 1930 german silent drama film directed by robert siodmak and edgar g ulmer from a screenplay by robert and curt siodmak the film follows a group of residents of berlin on a summer s day during the interwar period

bir pazar günü sinematürk - Oct 05 2022

web aug 14 2023 film beş genç berlin liyi odağına alıyor film boyunca bu karakterlerin pazar günlerini nasıl geçirdiklerini takip ediyoruz güneşlenerek biraz yüzüp eğlenerek biraz kırlarda uzanıp tembellik ederek piknik yaparak plak dinleyerek ertesi günü ise herkesin işe geri dönüşünü açılış sahnelerinin tersine işçilerin fabrikaya girişini izliyoruz

bir pazar günü menschen am sonntag 1930 turkcealtyazi org - Dec 07 2022

web Özet profesyonel oyunculardan faydalanmadığını daha ilk cümlesinde vurgulayan menschen am sonntag bir pazar günü beş genç berlinliyi odağına alıyor film boyunca bu karakterlerin pazar günlerini nasıl geçirdiklerini takip ediyoruz

menschen am sonntag wikipedia - Aug 15 2023

web menschen am sonntag ist ein stummfilm von robert und curt siodmak edgar g ulmer und billy wilder er wurde von moriz seelers produktionsfirma filmstudio 1929 produziert 2 und entstand in den jahren 1929 und 1930 in berlin und umgebung die uraufführung war am 4 februar 1930 3

menschen am sonntag filmportal de - Dec 27 2021

web mar 28 2017 cinema pur das leben am sonntag in berlin s bahnen sausen kreuz und quer durch das bild die autos rollen über asphaltstraßen die sich wie breite bänder durch die stadt ziehen das licht dieses tages spiegelt sich in pfützen in fenstern auf der wasseroberfläche

bir pazar günü menschen am sonntag filmi sinemalar com - Jul 02 2022

web daha önce festivalde hem fipresci hem de en İyi İlk film jürisinde görev almış alman sinema yazarı rüdiger suchsland in ilk yönetmenlik denemesi caligari wie der horror ins kino kam dışavurumculuk akımının sinemadaki yansımaları

people on sunday 1930 the criterion collection - Apr 11 2023

web weekend am wannsee gerald koll s 2000 documentary about the film featuring interviews with star brigitte borchert and writer curt siodmak ins blaue hinein a thirty six minute short from 1931 by people on sunday cinematographer eugen schüfftan new and improved english subtitle translation

amazon de menschen am sonntag ansehen prime video - Feb 26 2022

web menschen am sonntag im sommer 1929 dreht eine gruppe junger film enthusiasten auf den straßen berlins einen film dessen drehbuch sie zwischen den aufnahmen am kaffeehaustisch improvisieren vier spätere hollywood regisseure beobachten die berliner bei ihren freizeitvergnügen zum beispiel bei einem ausflug an den wannsee

menschen am sonntag deutsche kinemathek - Nov 06 2022

web nach dem zweiten weltkrieg wird menschen am sonntag zum klassiker der stummfilm Ära er gilt als vorläufer des neorealismus der film wurde 2014 von der deutsche kinemathek in zusammenarbeit mit eye filminstituut nederland restauriert

menschen am sonntag 1930 billy wilder kompletter film - May 12 2023

web apr 19 2013 106k views 10 years ago eine halbdokumentarische collage aus spielszenen und sozialreportage durch bildverismus darstellung und vermittlung sozialer realität eines der herausragenden werke der

people on sunday 1930 imdb - Jun 13 2023

web 1 video 57 photos comedy drama romance two men and two women enjoy a pleasant sunday at the beach amid the

unending toil of the working week directors robert siodmak edgar g ulmer rochus gliese writers billy wilder

menschen am sonntag film kritik trailer filmdienst - Feb 09 2023

web die chronik eines sonntags im berlin der weimarer republik eine verkäuferin eine filmstatistin ein vertreter und ein chauffeur fahren zum wannsee wo sie ihre freizeit verbringen eine halbdokumentarische collage aus spielszenen und sozialreportage durch bildverismus darstellung und vermittlung sozialer realität eines der herausragenden

[menschen am sonntag filmkritik bewertung filmtoast de](#) - Jan 08 2023

web nov 27 2018 das wilde berlin der 1920er menschen am sonntag 1929 ende der goldenen zwanziger ist berlin eine blühende metropole in dem hektischen treiben auf seinen straßen gehen die menschen über die woche ihrem tagewerk nach und die meisten freuen sich auf das wochenende wo sie ausspannen können wo man dann

menschen am sonntag arte programm ard de - Mar 10 2023

web 10 05 2022 00 55 uhr menschen am sonntag spiel film deutschland 1930 arte robert und curt siodmaks semidokumentarischer spiel film zeigt die alltagserlebnisse der jungen berliner christl wolf annie brigitte und erwin während eines wochenendes in dessen mittelpunkt ein gemeinsamer sonntagsausflug an den wannsee steht

menschen am sonntag film 1930 moviepilot de - Jun 01 2022

web menschen am sonntag ist ein sozialstudie aus dem jahr 1930 von curt siodmak und robert siodmak mit erwin splettstößer und brigitte borchert aktueller trailer zu menschen am sonntag

classic sermons todaygospel - Nov 07 2022

web classic sermons kenneth e hagin unless otherwise indicated all scripture quotations are taken from the king james version of the bible but perhaps the most well known outreach of the kenneth hagin ministries through the printed page is the word of faith magazine which was started in 1968 although over the years the design of the

the believer s authority vol 1 rev kenneth e hagin - Sep 05 2022

web mar 12 2020 daily messages by rev kenneth e hagin are found on our rhema for today podcast here rhema org podcast here s how we can connect rhemakennethehagin you re watching the believer s

classic sermons by kenneth e hagin ebook barnes noble - Oct 06 2022

web apr 4 2014 enjoy rich gems of spiritual truths in this collection of kenneth e hagin s classic messages these timeless treasures are gleaned from the spiritual wealth of articles printed in the word of faith magazine since its inception in 1968

classic sermons hagin kenneth e 1917 free download - Jul 15 2023

web mar 30 2023 classic sermons hagin kenneth e 1917 free download borrow and streaming internet archive

kenneth e hagin the abc s of faith 01 what faith is youtube - Jun 02 2022

web jan 16 2022 please note this content by rev kenneth e hagin is copyright protected by kenneth hagin ministries please

do not rip copy record or re upload to this

kenneth hagin sermons youtube - Apr 12 2023

web share your videos with friends family and the world

kenneth hagin sermon gold youtube - Aug 16 2023

web sharing mighty revelation packed snippets of various sermons delivered by kenneth e hagin 1917 2003 a man whose life and ministry was marked by powerful visions miraculous healings

classic sermons faith library publications kenneth e hagin - Feb 10 2023

web aug 1 1992 enjoy rich gems of spiritual truths in this collection of rev kenneth hagin s classic messages these timeless treasures are gleaned from the spiritual wealth of articles printed in the word of faith magazine since its inception in 1968 several generations of people have been blessed by the treasures of truth that rev hagin has

classic sermons amazon co uk kenneth e hagin - Jul 03 2022

web buy classic sermons by kenneth e hagin isbn 9780892765164 from amazon s book store everyday low prices and free delivery on eligible orders

classic sermons by kenneth e hagin bibleandbookstore com - Feb 27 2022

web description enjoy rich gems of spiritual truths in this collection of timeless messages by rev kenneth hagin that will stir your spirit and inspire your faith in god s word these timeless treasures are gleaned from the spiritual wealth of articles printed in the word of faith magazine since its inception in 1968

rhema store home page kenneth hagin ministries - Jan 29 2022

web find prayer faith healing and bible study topics in mp3s books cds dvds pastoral resources and more the believers authority and peace cd are favorites shop at rhema org store the official store of kenneth hagin ministries rhema and wholesale faith library publications and increase in faith today

classic sermons kenneth e hagin google books - Jan 09 2023

web classic sermons kenneth e hagin k hagin ministries 1992 holy spirit 269 pages 0 reviews reviews aren t verified but google checks for and removes fake content when it s

classic sermons kindle edition by hagin kenneth e religion - Dec 08 2022

web apr 3 2014 precious treasure from god s word enjoy rich gems of spiritual truths in this collection of kenneth e hagin s classic messages these timeless treasures are gleaned from the spiritual wealth of articles printed in the

kenneth e hagin legacy sermons books facebook - Dec 28 2021

web kenneth e hagin legacy sermons books 8 373 likes 160 talking about this a legacy of faith be inspired by the life of rev kenneth e hagin his books and teachings

classic sermons by kenneth e hagin goodreads - Mar 11 2023

web jan 1 1992 enjoy rich gems of spiritual truths in this collection of rev kenneth hagin s classic messages these timeless treasures are gleaned from the spiritual wealth of articles printed in the word of faith magazine since its inception in 1968 several generations of people have been blessed by the treasures of truth that rev hagin has

classic sermons kenneth hagin ministries - May 13 2023

web description additional information reviews enjoy rich gems of spiritual truths in this collection of kenneth e hagin s classic messages these timeless treasures are gleaned from the spiritual wealth of articles printed in the

pdf kenneth e hagin classic sermons todaygospel - Aug 04 2022

web september 18 2020 0 222 enjoy rich gems of spiritual truths in this collection of kenneth e hagin s classic messages these timeless treasures are gleaned from the spiritual wealth of articles printed in the word of faith magazine since its inception in 1968

short sermons by kenneth e hagin hopefaithprayer - May 01 2022

web nov 29 2014 short sermons by kenneth e hagin the following are a small sampling of short kenneth e hagin sermons the word will change your circumstances a father s part faith is an act study the word how much more the name of jesus belongs to you resolved to grow

kenneth e hagin classic sermons pdf ghanaclasic - Mar 31 2022

web nov 22 2021 you will find all multi million rich gems of spiritual truths in this collection of kenneth e hagin book titled classic sermons pdf to be well fed and filled with the spiritual truth of life also checkout rick warren the purpose driven life what on earth am i here for pdf

kenneth e hagin audio and video collections oral roberts - Jun 14 2023

web these are a collection of sermons from kenneth e hagin from the hsrc reel to reel collection hagin was a pentecostal evangelist and pastor who founded rhema bible church and bible college in tulsa oklahoma many of these sermons are focused on the holy spirit from the 1960s

Ártico la batalla por el gran norte mian marzio - Oct 22 2021

web la batalla por el gran norte mian marzio g un nuevo mar está emergiendo como una atlántida acuática porque el calentamiento en el gran norte es

Ártico la batalla por el gran norte ariel amazon es - Jul 11 2023

web la región ártica se está convirtiendo en una nueva África un congo boreal se advierte en el libro es la nueva batalla global para obtener el control de rutas comerciales

Ártico la batalla por el gran norte google play - Apr 08 2023

web **Ártico la batalla por el gran norte** ebook written by marzio g mian read this book using google play books app on your pc android ios devices download for offline

así es vivir en gaza los habitantes sienten pánico y miedo y no - Oct 02 2022

web oct 10 2023 la torre adyacente a su casa fue atacada por israel durante la noche derrumbándose sobre su propia casa y dejándolo a él y a su familia sin hogar no sé

Ártico ariel la batalla por el gran norte google play - May 29 2022

web **Ártico ariel la batalla por el gran norte** audiobook written by marzio g mian narrated by enric puig get instant access to all your favorite books no monthly commitment

Ártico la batalla por el gran norte mian marzio - Nov 22 2021

web la batalla por el gran norte mian marzio g 17 90 desde el espacio el Ártico se ve cada vez menos blanco y más azul un nuevo mar está emergie mi

Ártico la batalla por el gran norte ebook barnes noble - Sep 01 2022

web jan 17 2019 desde el espacio el Ártico se ve cada vez menos blanco y más azul un nuevo mar está emergiendo como una atlántida acuática la batalla por el gran

la guerra unirá a israel internacional el país - Dec 24 2021

web oct 07 2023 10 42 edt 35 los ataques sorpresa raramente son tales si se miran con gafas nuevas el de hamás contra israel a partir de sus bases en gaza venía

Ártico la batalla por el gran norte by marzio g mian goodreads - Aug 12 2023

web jan 27 2018 displaying 1 5 of 5 reviews jose author 8 books18 followers march 16 2019 esta obra relata con una belleza que estremece la realidad de la situación

Ártico la batalla por el gran norte youtube - Sep 13 2023

web feb 12 2019 el periodista italiano marzio g mian detalla la carrera de las grandes potencias por hacerse con las riquezas de un nuevo continente acuático y mineral surgido desde el hielo

Ártico la batalla por el gran norte ariel versión kindle - Jun 17 2021

web la región ártica se está convirtiendo en una nueva África un congo boreal se advierte en el libro es la nueva batalla global para obtener el control de rutas comerciales

x de elon musk contribuye a la desinformación en medio de la - Jan 25 2022

web x la red social propiedad de elon musk contribuye a la desinformación durante la guerra entre israel y hamas x de elon musk se suma a la confusión bélica en el inicio del

artico la batalla por el gran norte copy files climagic - Aug 20 2021

web articulo la batalla por el gran norte guerra multidimensional entre estados unidos y china viaje al articulo cazatesoros y expolios de buques sumergidos [Ártico la batalla](#)

guerra entre israel y gaza en directo internacional el país - Jul 19 2021

web 1 day ago dos exjefes de las fuerzas armadas de partidos de la oposición se han sumado al gabinete de guerra el ejército israelí que ha bombardeado unos 200

Ártico la batalla por el gran norte ariel amazon com tr - Nov 03 2022

web [Ártico la batalla por el gran norte ariel mian marzio g amazon com tr kitap](#)

[Ártico la batalla por el gran norte audible audiolibro amazon es](#) - May 17 2021

web [Ártico la batalla por el gran norte edición audio audible marzio g mian carlos gumpert melgosa traductor enric puig planeta audio amazon es libros](#)

militantes toman como rehenes en un festival cerca de la frontera - Jul 31 2022

web oct 9 2023 un video del kibutz de be eri en el sur de israel mostraba a combatientes armados con vehículos quemados y una excavadora al fondo hacia el final del video

[Ártico la batalla por el gran norte amazon com](#) - Jun 10 2023

web la región ártica se está convirtiendo en una nueva África un congo boreal se advierte en el audiolibro es la nueva batalla global para obtener el control de rutas comerciales

[guerra entre israel y gaza 9 de octubre el país](#) - Sep 20 2021

web oct 9 2023 el país ofrece de forma gratuita la última hora del conflicto israelo palestino si quieres apoyar nuestro periodismo suscríbete la guerra entre israel y tras el ataque

Ártico la batalla por el gran norte tapa blanda con solapas - Feb 06 2023

web la región ártica se está convirtiendo en una nueva África un congo boreal se advierte en el libro es la nueva batalla global para obtener el control de rutas comerciales

[Ártico la batalla por el gran norte mian marzio](#) - Apr 27 2022

web la región ártica se está convirtiendo en una nueva África un congo boreal se advierte en el libro es la nueva batalla global para obtener el control de rutas comerciales

[Ártico la batalla por el gran norte traficantes de](#) - Jun 29 2022

web la batalla por el gran norte 17 90 agregar a la cesta sin stock sujeto a disponibilidad en almacenes editorial ariel coleccion del libro sin colección idioma

[Ártico marzio g mian planetadelibros](#) - May 09 2023

web [Ártico la batalla por el gran norte marzio g mian sé el primero en valorar este libro sinopsis de Ártico desde el espacio el](#)

Ártico se ve cada vez menos blanco y más azul

Ártico la batalla por el gran norte audiolibro storytel - Mar 07 2023

web desde el espacio el Ártico se ve cada vez menos blanco y más azul un nuevo mar está emergiendo como una atlántida acuática porque el calentamiento en el gran norte es

Ártico la batalla por el gran norte librería luque - Mar 27 2022

web sinopsis desde el espacio el Ártico se ve cada vez menos blanco y más azul un nuevo mar está emergiendo como una atlántida acuática porque el calentamiento en el gran

Ártico la batalla por el gran norte cervantes - Jan 05 2023

web o canjealo por 1695 páginas desde el espacio el Ártico se ve cada vez menos blanco y más azul un nuevo mar está emergiendo como una atlántida acuática porque el

artico la batalla por el gran norte altair - Dec 04 2022

web artico la batalla por el gran norte mian marzio g editorial ariel año de edición 2019 materia ensayo isbn 978 84 344 2951 2 ean 9788434429512 páginas

Ártico la batalla por el gran norte audio download marzio g - Feb 23 2022

web Ártico la batalla por el gran norte audio download marzio g mian carlos gumpert melgosa traductor enric puig planeta audio amazon in audible books originals