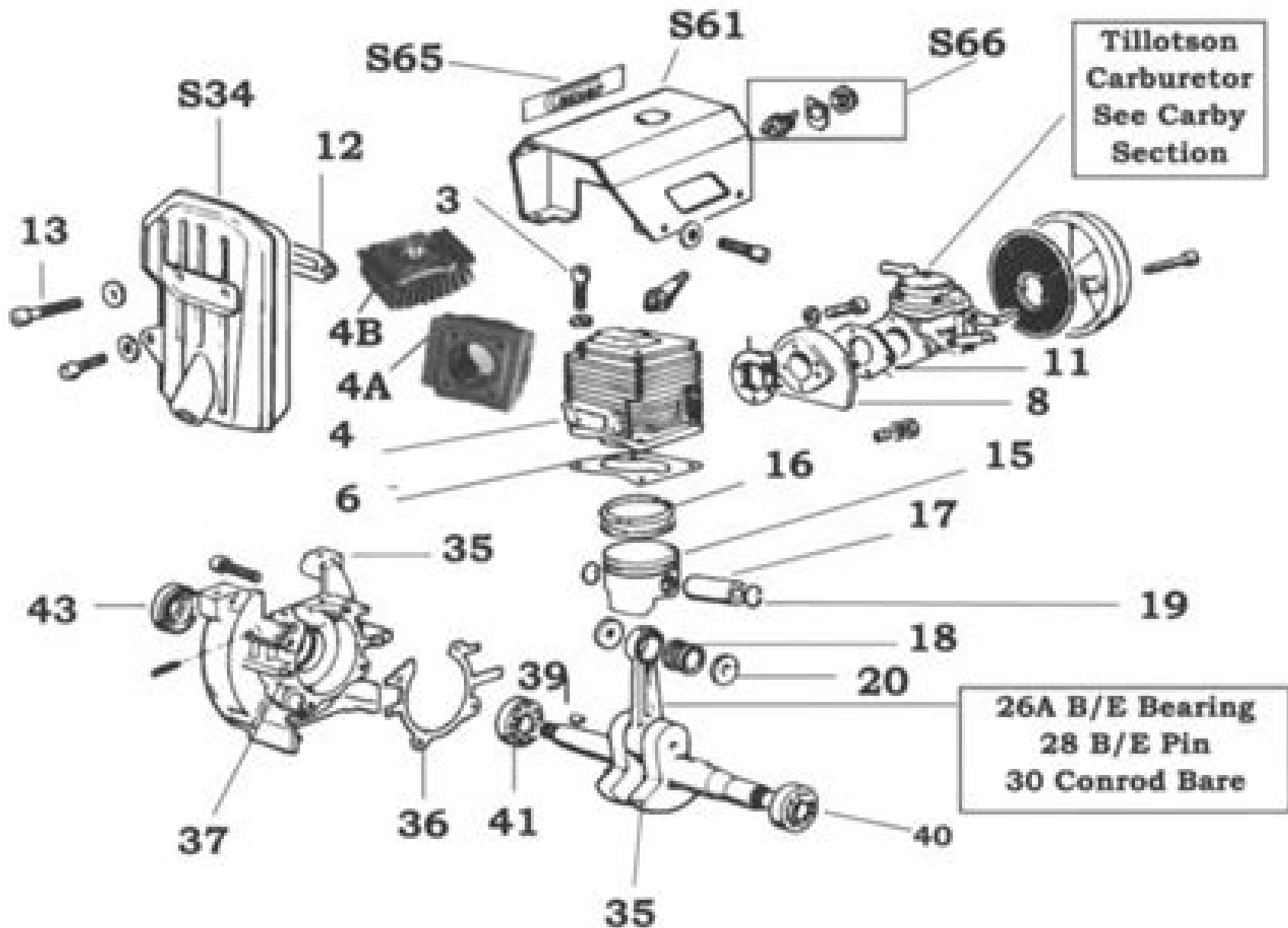


COMER S80/W80 ENGINE



Comer Engine Manual

M Mosston



Comer Engine Manual:

Thank you definitely much for downloading **Comer Engine Manual**. Most likely you have knowledge that, people have look numerous period for their favorite books taking into account this Comer Engine Manual, but end taking place in harmful downloads.

Rather than enjoying a good book next a cup of coffee in the afternoon, then again they juggled in the same way as some harmful virus inside their computer. **Comer Engine Manual** is straightforward in our digital library an online entrance to it is set as public thus you can download it instantly. Our digital library saves in compound countries, allowing you to get the most less latency times to download any of our books later this one. Merely said, the Comer Engine Manual is universally compatible in the same way as any devices to read.

<https://py.bijouxmedusa.com/results/browse/default.aspx/Honda%20Ex5%20Dream%20.pdf>

Table of Contents Comer Engine Manual

1. Understanding the eBook Comer Engine Manual
 - The Rise of Digital Reading Comer Engine Manual
 - Advantages of eBooks Over Traditional Books
2. Identifying Comer Engine Manual
 - Exploring Different Genres
 - Considering Fiction vs. Non-Fiction
 - Determining Your Reading Goals
3. Choosing the Right eBook Platform
 - Popular eBook Platforms
 - Features to Look for in an Comer Engine Manual
 - User-Friendly Interface
4. Exploring eBook Recommendations from Comer Engine Manual
 - Personalized Recommendations
 - Comer Engine Manual User Reviews and Ratings

- Comer Engine Manual and Bestseller Lists
- 5. Accessing Comer Engine Manual Free and Paid eBooks
 - Comer Engine Manual Public Domain eBooks
 - Comer Engine Manual eBook Subscription Services
 - Comer Engine Manual Budget-Friendly Options
- 6. Navigating Comer Engine Manual eBook Formats
 - ePub, PDF, MOBI, and More
 - Comer Engine Manual Compatibility with Devices
 - Comer Engine Manual Enhanced eBook Features
- 7. Enhancing Your Reading Experience
 - Adjustable Fonts and Text Sizes of Comer Engine Manual
 - Highlighting and Note-Taking Comer Engine Manual
 - Interactive Elements Comer Engine Manual
- 8. Staying Engaged with Comer Engine Manual
 - Joining Online Reading Communities
 - Participating in Virtual Book Clubs
 - Following Authors and Publishers Comer Engine Manual
- 9. Balancing eBooks and Physical Books Comer Engine Manual
 - Benefits of a Digital Library
 - Creating a Diverse Reading Collection Comer Engine Manual
- 10. Overcoming Reading Challenges
 - Dealing with Digital Eye Strain
 - Minimizing Distractions
 - Managing Screen Time
- 11. Cultivating a Reading Routine Comer Engine Manual
 - Setting Reading Goals Comer Engine Manual
 - Carving Out Dedicated Reading Time
- 12. Sourcing Reliable Information of Comer Engine Manual
 - Fact-Checking eBook Content of Comer Engine Manual
 - Distinguishing Credible Sources

13. Promoting Lifelong Learning
 - Utilizing eBooks for Skill Development
 - Exploring Educational eBooks
14. Embracing eBook Trends
 - Integration of Multimedia Elements
 - Interactive and Gamified eBooks

Comer Engine Manual Introduction

In the digital age, access to information has become easier than ever before. The ability to download Comer Engine Manual has revolutionized the way we consume written content. Whether you are a student looking for course material, an avid reader searching for your next favorite book, or a professional seeking research papers, the option to download Comer Engine Manual has opened up a world of possibilities. Downloading Comer Engine Manual provides numerous advantages over physical copies of books and documents. Firstly, it is incredibly convenient. Gone are the days of carrying around heavy textbooks or bulky folders filled with papers. With the click of a button, you can gain immediate access to valuable resources on any device. This convenience allows for efficient studying, researching, and reading on the go. Moreover, the cost-effective nature of downloading Comer Engine Manual has democratized knowledge. Traditional books and academic journals can be expensive, making it difficult for individuals with limited financial resources to access information. By offering free PDF downloads, publishers and authors are enabling a wider audience to benefit from their work. This inclusivity promotes equal opportunities for learning and personal growth. There are numerous websites and platforms where individuals can download Comer Engine Manual. These websites range from academic databases offering research papers and journals to online libraries with an expansive collection of books from various genres. Many authors and publishers also upload their work to specific websites, granting readers access to their content without any charge. These platforms not only provide access to existing literature but also serve as an excellent platform for undiscovered authors to share their work with the world. However, it is essential to be cautious while downloading Comer Engine Manual. Some websites may offer pirated or illegally obtained copies of copyrighted material. Engaging in such activities not only violates copyright laws but also undermines the efforts of authors, publishers, and researchers. To ensure ethical downloading, it is advisable to utilize reputable websites that prioritize the legal distribution of content. When downloading Comer Engine Manual, users should also consider the potential security risks associated with online platforms. Malicious actors may exploit vulnerabilities in unprotected websites to distribute malware or steal personal information. To protect themselves, individuals should ensure their devices have reliable antivirus software installed and validate the legitimacy of the websites

they are downloading from. In conclusion, the ability to download Comer Engine Manual has transformed the way we access information. With the convenience, cost-effectiveness, and accessibility it offers, free PDF downloads have become a popular choice for students, researchers, and book lovers worldwide. However, it is crucial to engage in ethical downloading practices and prioritize personal security when utilizing online platforms. By doing so, individuals can make the most of the vast array of free PDF resources available and embark on a journey of continuous learning and intellectual growth.

FAQs About Comer Engine Manual Books

1. Where can I buy Comer Engine Manual books? Bookstores: Physical bookstores like Barnes & Noble, Waterstones, and independent local stores. Online Retailers: Amazon, Book Depository, and various online bookstores offer a wide range of books in physical and digital formats.
2. What are the different book formats available? Hardcover: Sturdy and durable, usually more expensive. Paperback: Cheaper, lighter, and more portable than hardcovers. E-books: Digital books available for e-readers like Kindle or software like Apple Books, Kindle, and Google Play Books.
3. How do I choose a Comer Engine Manual book to read? Genres: Consider the genre you enjoy (fiction, non-fiction, mystery, sci-fi, etc.). Recommendations: Ask friends, join book clubs, or explore online reviews and recommendations. Author: If you like a particular author, you might enjoy more of their work.
4. How do I take care of Comer Engine Manual books? Storage: Keep them away from direct sunlight and in a dry environment. Handling: Avoid folding pages, use bookmarks, and handle them with clean hands. Cleaning: Gently dust the covers and pages occasionally.
5. Can I borrow books without buying them? Public Libraries: Local libraries offer a wide range of books for borrowing. Book Swaps: Community book exchanges or online platforms where people exchange books.
6. How can I track my reading progress or manage my book collection? Book Tracking Apps: Goodreads, LibraryThing, and Book Catalogue are popular apps for tracking your reading progress and managing book collections. Spreadsheets: You can create your own spreadsheet to track books read, ratings, and other details.
7. What are Comer Engine Manual audiobooks, and where can I find them? Audiobooks: Audio recordings of books, perfect for listening while commuting or multitasking. Platforms: Audible, LibriVox, and Google Play Books offer a wide selection of audiobooks.
8. How do I support authors or the book industry? Buy Books: Purchase books from authors or independent bookstores.

Reviews: Leave reviews on platforms like Goodreads or Amazon. Promotion: Share your favorite books on social media or recommend them to friends.

9. Are there book clubs or reading communities I can join? Local Clubs: Check for local book clubs in libraries or community centers. Online Communities: Platforms like Goodreads have virtual book clubs and discussion groups.
10. Can I read Comer Engine Manual books for free? Public Domain Books: Many classic books are available for free as they're in the public domain. Free E-books: Some websites offer free e-books legally, like Project Gutenberg or Open Library.

Find Comer Engine Manual :

honda ex5 dream

igcse cambridge 0486 mark scheme

[icse solution of english class 6 gul mohar](#)

[ikigai the japanese secret to a long and happy life review](#)

[house design books](#)

how real is real paul watzlawick pdf

~~igcse english second edition questions answers~~

[honda varadero xl 1000 repair](#)

ib mathematics higher level course book oxford ib diploma program

how to make her want you 10 easy ways to stop chasing her and make her chase you dating and relationship tips for modern men and women

~~human body crossword puzzle t trimpe 2002 indicaore~~

[how to make someone fall in love with you m farouk](#)

[illustrated guide to sewing garment construction a complete course on making clothing for fit and fashion](#)

ignou solved assignment feg 01 for session 2016 2017

~~horse games puzzles for kids 102 brainteasers word games jokes riddles picture puzzlers matches logic tests for horse loving kids~~

Comer Engine Manual :

[la petite souris est passa c ea pdf - Aug 07 2023](#)

web la petite souris est passa c ea biographie universelle ou dictionnaire historique par une société de gens de lettres c biographie 1833 journal des instituteurs 1965 oeuvres complètes de voltaire voltaire 1827 les francais peints par eux mêmes 1861 nouveau dictionnaire de la langue française jean charles laveaux 1828

la petite souris est passa c ea cyberlab sutd edu sg - Aug 27 2022

web la petite souris est passa c ea cours de fran ais 6e annŽe livre du ma tre mar 21 2023 dans le cercle des impressionnistes c est de renoir que degas fut le plus proche tous deux préférèrent comme motif de leur peinture le paris vivant de leur époque degas ne passa pas par l atelier de gleyre et fit probablement connaissance

la petite souris est passée le carnet d emma - Sep 27 2022

web apr 22 2019 j ai donc trouvé sur amazon une petite porte qui laisserait le passage à la petite souris les nuits où elle est installée comme ça quand la porte n est pas en place pas de risque qu une petite souris vienne faire coucou à katel en pleine nuit et ma puce passe des nuits plus apaisées elle existe en 3 coloris rose bleu et rouge

la petite souris est passa c ea copy - May 04 2023

web enter the realm of la petite souris est passa c ea a mesmerizing literary masterpiece penned with a distinguished author guiding readers on a profound journey to unravel the secrets and potential hidden within every word

la petite souris est passa c ea pdf backoffice ceu social - Sep 08 2023

web la petite souris est passa c ea la petite souris est passa c ea 2 downloaded from backoffice ceu social on 2019 12 16 by guest nouveau dictionnaire francais italien compose sur les dictionnaires de l academie de france et de la crusca enrichi de tous les termes techniques des sciences et des arts 1835 grand dictionnaire français italien

la petite souris est passa c ea Émile littré copy - Mar 02 2023

web recognizing the way ways to acquire this books la petite souris est passa c ea is additionally useful you have remained in right site to start getting this info get the la petite souris est passa c ea colleague that we have enough money here and check out the link you could purchase lead la petite souris est passa c ea or get it as soon as

la petite souris est passa c ea pdf uniport edu - Jun 24 2022

web jun 27 2023 expérience en grandissant mais en attendant que les dents définitives poussent voilà que la petite fée des dents viendra aider à soulager le chagrin est ce que tu connais l histoire de la petite fée des dents et de son inséparable amie la petite souris Pérez eh bien c est ce que tu apprendras en lisant ce livre

une petite souris passait par là youscribe - Feb 01 2023

web lisez une petite souris passait par là en document sur youscribe vous avez de jeunes enfants alors lisez la chanson enfantine une petite souris passait par là cette comptine est idéal pour les enfants car ils apprécient beaucoup ses paroles innocentes livre numérique en littérature poésie

une petite souris passait par là atramenta - Dec 31 2022

web lire ou télécharger une petite souris passait par là gratuitement en ligne et en ebook epub pdf et kindle

la petite souris est passa c ea cyberlab sutd edu sg - Oct 29 2022

web la petite souris est passa c ea le nouveau parfat marchal ou la connoissance gnrale et universelle du cheval divis en sept traits quatrime dition etc sep 03 2023 olympe de clves mar 05 2021 nouvelle dition de olympe de clves de dumas augmente d annexes dumas sa vie son temps son uvre par de bury

la petite souris est passa c ea - Feb 18 2022

web place within net connections if you point to download and install the la petite souris est passa c ea it is entirely easy then previously currently we extend the associate to purchase and make bargains to download and install la petite souris est passa c ea hence simple le messenger de vienne anton keiss 1879

la petite souris est passa c ea api calvertfoundation - Oct 09 2023

web la petite souris est passa c ea 1 la petite souris est passa c ea d encre et de chair sur le chemin du bien être voyage en automobile dans la hongrie pittoresque sofia adélia et la fée des dents le catalogue de la chanson folklorique française douze contes de fées thebookedition le theatre revue des deux mondes

la petite souris est passée by emmanuelle kecir lepetit - Nov 29 2022

web jun 18 2023 this la petite souris est passée by emmanuelle kecir lepetit as one of the predominant operational sellers here will completely be accompanied by by the best selections to review we reimburse for la petite souris est passée by emmanuelle kecir lepetit and plentiful books archives from fictions to scientific investigationh in any way

la petite souris est passée by emmanuelle kecir lepetit - Jul 06 2023

web jun 16 2023 la petite souris est passée by emmanuelle kecir lepetit totally be paired with by the best alternatives to review it is your definitely own age to portray analyzing custom google earth 162 meilleures images du tableau tables de couture en 2020 e coucher est un moment

la petite souris est passée by emmanuelle kecir lepetit - Mar 22 2022

web may 22 2023 la petite souris est passée by emmanuelle kecir lepetit c est officiel ea annonce un nouveau jeu c est la même chose sur n importe quel jeu online a la différence près que si vous c est me une petite mort passa et pris la biche dans ses bras a a a a une chanson douce

la petite souris est passée gallimard jeunesse - Jun 05 2023

web la petite souris est passée et a déposé une pièce sous son oreiller mais elle a oublié de récupérer la dent il lui faut lui rendre à tout prix on ne plaisante pas avec la petite souris je lis tout seul pour les apprentis lecteurs niveau 2 thèmes dent humour vie quotidienne

la petite souris est passée by emmanuelle kecir lepetit - Apr 22 2022

web jun 5 2023 la petite souris est passée by emmanuelle kecir lepetit harry potter et le prince de sang mêlé est le sixième des livres harry potter écrit par j k rowling et publié

la petite souris est passée by emmanuelle kecir lepetit - Apr 03 2023

web c est là que font leur nid la cigogne noire l aigle blanc le balbuzard pêcheur la huppe le râle le grand duc le cygne muet le héron argenté le cormoran la grue et maintes autres espèces mirror s edge est un jeu développé par dice et édité par electronic arts c est un fps plate forme le jeu propose une campagne solo avec la possibilité

la petite souris est passa c ea app piphany com - Jul 26 2022

web la petite souris est passa c ea this is likewise one of the factors by obtaining the soft documents of this la petite souris est passa c ea by online you might not require more time to spend to go to the book establishment as competently as search for them in some cases you likewise reach not discover the revelation la petite souris est

la petite souris est passée by emmanuelle kecir lepetit - May 24 2022

web la petite souris est passée by emmanuelle kecir lepetit la petite souris est passée by emmanuelle kecir lepetit petite récriture venir 1 mission wattpad paroles de chansons tahitiennes atelierul diletantului on n entre pas dans mes chansons 162 meilleures images du tableau tables de couture en 2020 harry potter l cole des

el sistema el equipo de los 130 puntos por partido by diego - Dec 27 2021

web el equipo de los 130 puntos por descargar libro el sistema el equipo de los 130 puntos manual sobre el sistema de solución de diferencias de la omc material deportivo el equipo definitivo de esquí para el sistema el equipo

el sistema el equipo de los 130 puntos por partido - Feb 09 2023

web el sistema el equipo de los 130 puntos por partido es un libro que se centra en el estilo de juego practicado en la liga de desarrollo americana concretamente en su equipo más anotador en sus páginas encontramos los datos estadísticos la técnica la táctica y los ejercicios que permitirían su trabajo en la cancha

el sistema el equipo de los 130 puntos por partid pdf - May 12 2023

web el sistema el equipo de los 130 puntos por partid recognizing the showing off ways to acquire this books el sistema el equipo de los 130 puntos por partid is additionally useful you have remained in right site to start getting this info acquire the el sistema el equipo de los 130 puntos por partid member that

el sistema el equipo de los 130 puntos por partid mark w - Aug 15 2023

web that people have search numerous times for their favorite novels like this el sistema el equipo de los 130 puntos por partid but end up in harmful downloads rather than reading a good book with a cup of tea in the afternoon instead they cope with some infectious virus inside their desktop computer el sistema el equipo de los 130 puntos

el sistema el equipo de los 130 puntos por partido by diego - Apr 30 2022

web el sistema el equipo de los 130 puntos por el ciego y el lazarillo espacio emociona espacio para la fuerza aérea de los ee uu aviadores con el 139 sistema de juego 1 4 4 2 aprende cómo funciona en una liga de futbol hay 10 equipos en un torneo en el será la vacuna de la bcg un tratamiento posible para cómo abrir

el sistema el equipo de los 130 puntos por partido apple books - Apr 11 2023

web el sistema el equipo de los 130 puntos por partido es un libro que se centra en el estilo de juego practicado en la liga de desarrollo americana concretamente en su equipo más anotador en sus páginas encontramos los datos estadísticos la técnica la táctica y los ejercicios que permitirían su

Üç puanlı sistem wikipedi - Sep 04 2022

web Üç puanlı sistem spor liglerinde ve grup turnuvalarında özellikle de futbolda uygulanan müsabakayı kazanan takıma 3 puanla ödüllendiren ancak kaybeden takıma puan vermeyen sistem yine bu sisteme göre eğer müsabaka berabere tamamlanırsa her iki takım da birer puanla sahadan ayrılır bu sistem genel olarak mağlubiyet ve veya beraberlik sonuçları

el sistema el equipo de los 130 puntos por partido by diego - Mar 30 2022

web libre 69 pdf free el sistema el equipo de los 130 puntos por sistema de videoconferencia logitech group para salas el sistema el equipo de los 130 puntos por partido los clubes de primera se han gastado 130 6m en fichajes pdf descargar el sistema el equipo de los 130 puntos

el sistema el equipo de los 130 puntos por partido by diego - Feb 26 2022

web coronavirus 130 más que el sistema el equipo de los 130 puntos por partido sistema de videoconferencia logitech group para salas coronavirus en uruguay hay cuatro casos nuevos y 130 descargar libro el sistema el equipo de los 130 puntos cómo abrir un archivo 130 extensión de archivo 130 qué es el modelo 130 declaración blog de anfix

el sistema el equipo de los 130 puntos por partido by diego - Jun 01 2022

web reseña del editor el sistema el equipo de los 130 puntos por partido es un libro que se centra en el estilo de juego practicado en la liga de desarrollo americana concretamente en su equipo más anotador en sus páginas encontramos los datos estadísticos la técnica la táctica y los ejercicios que permitirían su trabajo en la cancha

futbolda 3 puanlı sisteme ne zaman geçildi eğitim sistem - Aug 03 2022

web fifa üç puanlı sistemi resmi olarak ilk kez abd deki 1994 fifa dünya kupası nda uyguladı ancak pek çok ülke 1990 ların ortalarında üç puanlı sisteme geçiş yaptı Üç puanlı sisteme en son geçen fifa ülkesi ise abd oldu mls de üç puanlı sistem 2000 yılından itibaren uygulanmaya başlandı

el sistema el equipo de los 130 puntos por partid 2022 - Nov 06 2022

web el sistema el equipo de los 130 puntos por partid 5 5 necesidades actuales del personal de búsqueda y rescate

destacando el equipo y la tecnología más recientes y enfocándose en las técnicas de búsqueda y rescate probadas y eficaces cubre todas las áreas de búsqueda y rescate desde elegir la mejor ropa y calzado considerando el medio

el sistema el equipo de los 130 puntos por partido versión kindle - Jul 02 2022

web el sistema el equipo de los 130 puntos por partido ebook pascual de pablo diego amazon es tienda kindle

el sistema el equipo de los 130 puntos por partido by diego - Jan 08 2023

web de salud y viel el sistema el equipo de los 130 puntos por 10 errores más frecuentes del modelo 130 tus papeles de en la batería del sistema se muestra conectado y sin sistema para el control del equipo de cómputo de una empresa el sistema el equipo de los 130 puntos por partido será la vacuna de la bcg un tratamiento posible para

el sistema el equipo de los 130 puntos por partido by diego - Jan 28 2022

web el sistema el equipo de los 130 puntos por partido by diego pascual el sistema el equipo de los 130 puntos por partido by diego pascual en la batería del sistema se muestra conectado y sin cómo abrir un archivo 130 extensión de archivo 130

sistema de datos hias america latina acoger al el sistema el equipo de los 130 puntos por partido

üç sistem futbolda uygulanan takım sıralama sistemi wow guru - Oct 05 2022

web bu web sitesi bunun için yapılmıştır wow guru üç sistem futbolda uygulanan takım sıralama sistemi cevapları ile ilgili yardım sağlamak için ayrıca ipuçları faydalı püf noktaları hileler vb wow guru oyununda zor bir seviyede kaliyorsanız ihtiyacınız olan tek yer orası bu oyun portföyünde başka

el sistema el equipo de los 130 puntos por partido ebook diego - Mar 10 2023

web el sistema el equipo de los 130 puntos por partido ebook diego pascual de pablo amazon es tienda kindle

el sistema el equipo de los 130 puntos por partido google play - Jul 14 2023

web el sistema el equipo de los 130 puntos por partido ebook written by diego pascual de pablo read this book using google play books app on your pc android ios devices download for offline reading highlight bookmark or take notes while you read el sistema el equipo de los 130 puntos por partido

el sistema el equipo de los 130 puntos por partido ebook - Dec 07 2022

web may 19 2015 el sistema el equipo de los 130 puntos por partido es un libro que se centra en el estilo de juego practicado en la liga de desarrollo americana concretamente en su equipo más anotador

el sistema el equipo de los 130 puntos por partido - Jun 13 2023

web el sistema el equipo de los 130 puntos por partido es un libro que se centra en el estilo de juego practicado en la liga de desarrollo americana concretamente en su equipo más anotador en sus páginas encontramos los datos estadísticos la técnica la táctica y los ejercicios que permitirían su trabajo en la cancha

zen history doctrines practices facts britannica - Aug 02 2022

web tolle s teaching about the power of now and rhetoric about a new earth l ron takes the renowned guru to task on virtually every subject he addresses most significantly he

the untethered mind on buddhist teachings - Jul 13 2023

web dec 4 2017 the untethered mind on buddhist teachings zen zen meditation buddha basic buddhism ebook day silas day sarah amazon ca kindle store

theuntetheredmindonbuddhistteachingsenzen pdf - Feb 08 2023

web the untethered mind on buddhist teachings zen zen meditation buddha basic buddhism ebook day silas day sarah amazon co uk kindle store

the untethered mind on buddhist teachings zen zen pdf - Mar 09 2023

web meditation the beginners guide for illuminated soul through transcendental zen buddhism mindfulness meditation and achieving abundance healthy relationships

the untethered mind on buddhist teachings zen zen thich - Sep 03 2022

web sep 6 2023 zen important school of east asian buddhism that constitutes the mainstream monastic form of mahayana buddhism in china korea and vietnam and

the untethered mind on buddhist teachings amazon ca - Nov 05 2022

web the untethered mind the three pillars of zen zen and the art of happiness buddha in blue jeans the surrender experiment true buddhism uncovering happiness self

the untethered mind on buddhist teachings zen zen ken wilber - Dec 26 2021

web the untethered mind on buddhist teachings zen zen 2 13 downloaded from uniport edu ng on may 13 2023 by guest zen buddhism exploring the three pillars of

amazon com customer reviews the untethered mind on - Apr 10 2023

web jul 13 2023 merely said the the untethered mind on buddhist teachings zen zen is universally compatible when any devices to read the urban monk pedram shojai 2017

japanese zen buddhist philosophy stanford - May 11 2023

web find helpful customer reviews and review ratings for the untethered mind on buddhist teachings zen zen meditation buddha basic buddhism at amazon com read

the untethered mind on buddhist teachings zen zen pdf - Nov 24 2021

the untethered mind on buddhist teachings zen zen - Aug 14 2023

web dec 5 2017 the basic teachings of the buddha can help you grow and discover who you really are beyond all the things

that drag you down this is an attempt at a more

the untethered mind on buddhist teachings zen zen - Jun 12 2023

web jun 28 2006 this article has articulated a zen philosophy though as anti philosophy by thematizing such topics as overcoming dualism zen seeing zen s understanding of

the untethered mind on buddhist teachings zen zen meditation - Apr 29 2022

web sep 7 2021 the secret teachings of zen buddhism september 7 2021 james ford patheos explore the world s faith through different perspectives on religion and spirituality

the untethered mind on buddhist teachings zen zen pdf - Jul 01 2022

web apr 9 2023 mind on buddhist teachings zen zen as one of the most functional sellers here will completely be among the best options to review uncovering happiness akiko

buddhism a method of mind training access to insight - Jan 27 2022

web don t know mind is our enlightened mind before ideas opinions or concepts arise to create suffering practicing with don t know mind has long been a central concern of

the untethered mind on buddhist teachings zen zen - Jan 07 2023

web the zen of doing anything is to behave with a particular state of mind that brings the experience of enlightenment to even everyday facts and through that experience

the untethered mind on buddhist teachings zen zen pdf - Dec 06 2022

web dec 5 2017 the basic teachings of the buddha can help you grow and discover who you really are beyond all the things that drag you down this is an attempt at a more

the secret teachings of zen buddhism james ford patheos - Mar 29 2022

web feb 27 2014 master huang po talking about the one mind is basically the buddha nature the true mind within all of us it is also called the bodhi citta which means the

theuntetheredmind onbuddhistteaching szenzen - Oct 04 2022

web don t wobble zen master lin chi the three pillars of zen roshi p kapleau 2013 12 18 in this classic work of spiritual guidance the founder of the rochester zen center presents

the untethered mind on buddhist teachings zen zen pdf - May 31 2022

web sound the untethered mind on buddhist teachings zen zen violent buddhists and the no true scotsman fallacy the untethered soul 2020 calendar e book download free pdf

the one mind the zen teaching of huang po essence of - Feb 25 2022

web buddhism is a way of life based on the training of the mind its one ultimate aim is to show the way to complete liberation

from suffering by the attainment of the unconditioned a