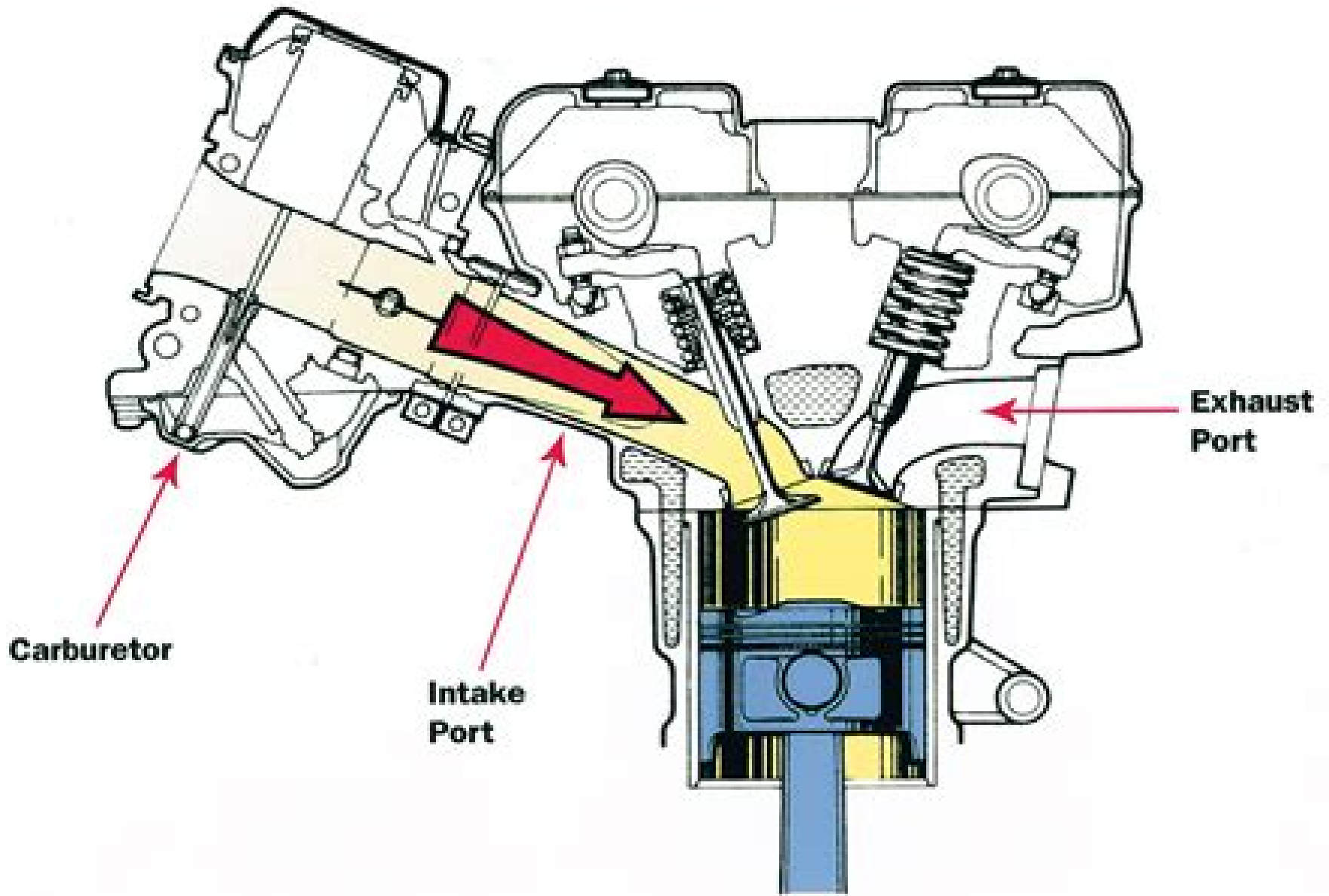


4-Stroke Engines



How Motorcycle Engine Works

Ian Graham



How Motorcycle Engine Works:

Uncover the mysteries within Explore with is enigmatic creation, Discover the Intrigue in **How Motorcycle Engine Works** . This downloadable ebook, shrouded in suspense, is available in a PDF format (PDF Size: *). Dive into a world of uncertainty and anticipation. Download now to unravel the secrets hidden within the pages.

https://py.bijouxmedusa.com/results/detail/HomePages/Weight_Loss_Tools_America_19_956_Weight_Loss_Tools_USA_19_2405_Weight.pdf

Table of Contents How Motorcycle Engine Works

1. Understanding the eBook How Motorcycle Engine Works
 - The Rise of Digital Reading How Motorcycle Engine Works
 - Advantages of eBooks Over Traditional Books
2. Identifying How Motorcycle Engine Works
 - Exploring Different Genres
 - Considering Fiction vs. Non-Fiction
 - Determining Your Reading Goals
3. Choosing the Right eBook Platform
 - Popular eBook Platforms
 - Features to Look for in an How Motorcycle Engine Works
 - User-Friendly Interface
4. Exploring eBook Recommendations from How Motorcycle Engine Works
 - Personalized Recommendations
 - How Motorcycle Engine Works User Reviews and Ratings
 - How Motorcycle Engine Works and Bestseller Lists
5. Accessing How Motorcycle Engine Works Free and Paid eBooks
 - How Motorcycle Engine Works Public Domain eBooks
 - How Motorcycle Engine Works eBook Subscription Services
 - How Motorcycle Engine Works Budget-Friendly Options

6. Navigating How Motorcycle Engine Works eBook Formats
 - ePub, PDF, MOBI, and More
 - How Motorcycle Engine Works Compatibility with Devices
 - How Motorcycle Engine Works Enhanced eBook Features
7. Enhancing Your Reading Experience
 - Adjustable Fonts and Text Sizes of How Motorcycle Engine Works
 - Highlighting and Note-Taking How Motorcycle Engine Works
 - Interactive Elements How Motorcycle Engine Works
8. Staying Engaged with How Motorcycle Engine Works
 - Joining Online Reading Communities
 - Participating in Virtual Book Clubs
 - Following Authors and Publishers How Motorcycle Engine Works
9. Balancing eBooks and Physical Books How Motorcycle Engine Works
 - Benefits of a Digital Library
 - Creating a Diverse Reading Collection How Motorcycle Engine Works
10. Overcoming Reading Challenges
 - Dealing with Digital Eye Strain
 - Minimizing Distractions
 - Managing Screen Time
11. Cultivating a Reading Routine How Motorcycle Engine Works
 - Setting Reading Goals How Motorcycle Engine Works
 - Carving Out Dedicated Reading Time
12. Sourcing Reliable Information of How Motorcycle Engine Works
 - Fact-Checking eBook Content of How Motorcycle Engine Works
 - Distinguishing Credible Sources
13. Promoting Lifelong Learning
 - Utilizing eBooks for Skill Development
 - Exploring Educational eBooks
14. Embracing eBook Trends
 - Integration of Multimedia Elements

- Interactive and Gamified eBooks

How Motorcycle Engine Works Introduction

In this digital age, the convenience of accessing information at our fingertips has become a necessity. Whether its research papers, eBooks, or user manuals, PDF files have become the preferred format for sharing and reading documents. However, the cost associated with purchasing PDF files can sometimes be a barrier for many individuals and organizations. Thankfully, there are numerous websites and platforms that allow users to download free PDF files legally. In this article, we will explore some of the best platforms to download free PDFs. One of the most popular platforms to download free PDF files is Project Gutenberg. This online library offers over 60,000 free eBooks that are in the public domain. From classic literature to historical documents, Project Gutenberg provides a wide range of PDF files that can be downloaded and enjoyed on various devices. The website is user-friendly and allows users to search for specific titles or browse through different categories. Another reliable platform for downloading How Motorcycle Engine Works free PDF files is Open Library. With its vast collection of over 1 million eBooks, Open Library has something for every reader. The website offers a seamless experience by providing options to borrow or download PDF files. Users simply need to create a free account to access this treasure trove of knowledge. Open Library also allows users to contribute by uploading and sharing their own PDF files, making it a collaborative platform for book enthusiasts. For those interested in academic resources, there are websites dedicated to providing free PDFs of research papers and scientific articles. One such website is Academia.edu, which allows researchers and scholars to share their work with a global audience. Users can download PDF files of research papers, theses, and dissertations covering a wide range of subjects. Academia.edu also provides a platform for discussions and networking within the academic community. When it comes to downloading How Motorcycle Engine Works free PDF files of magazines, brochures, and catalogs, Issuu is a popular choice. This digital publishing platform hosts a vast collection of publications from around the world. Users can search for specific titles or explore various categories and genres. Issuu offers a seamless reading experience with its user-friendly interface and allows users to download PDF files for offline reading. Apart from dedicated platforms, search engines also play a crucial role in finding free PDF files. Google, for instance, has an advanced search feature that allows users to filter results by file type. By specifying the file type as "PDF," users can find websites that offer free PDF downloads on a specific topic. While downloading How Motorcycle Engine Works free PDF files is convenient, its important to note that copyright laws must be respected. Always ensure that the PDF files you download are legally available for free. Many authors and publishers voluntarily provide free PDF versions of their work, but its essential to be cautious and verify the authenticity of the source before downloading How Motorcycle Engine Works. In conclusion, the internet offers numerous platforms and websites that allow users to download free PDF files legally. Whether its classic

literature, research papers, or magazines, there is something for everyone. The platforms mentioned in this article, such as Project Gutenberg, Open Library, Academia.edu, and Issuu, provide access to a vast collection of PDF files. However, users should always be cautious and verify the legality of the source before downloading How Motorcycle Engine Works any PDF files. With these platforms, the world of PDF downloads is just a click away.

FAQs About How Motorcycle Engine Works Books

How do I know which eBook platform is the best for me? Finding the best eBook platform depends on your reading preferences and device compatibility. Research different platforms, read user reviews, and explore their features before making a choice. Are free eBooks of good quality? Yes, many reputable platforms offer high-quality free eBooks, including classics and public domain works. However, make sure to verify the source to ensure the eBook credibility. Can I read eBooks without an eReader? Absolutely! Most eBook platforms offer web-based readers or mobile apps that allow you to read eBooks on your computer, tablet, or smartphone. How do I avoid digital eye strain while reading eBooks? To prevent digital eye strain, take regular breaks, adjust the font size and background color, and ensure proper lighting while reading eBooks. What the advantage of interactive eBooks? Interactive eBooks incorporate multimedia elements, quizzes, and activities, enhancing the reader engagement and providing a more immersive learning experience. How Motorcycle Engine Works is one of the best book in our library for free trial. We provide copy of How Motorcycle Engine Works in digital format, so the resources that you find are reliable. There are also many Ebooks of related with How Motorcycle Engine Works. Where to download How Motorcycle Engine Works online for free? Are you looking for How Motorcycle Engine Works PDF? This is definitely going to save you time and cash in something you should think about.

Find How Motorcycle Engine Works :

weight loss tools America 19-956 weight loss tools USA 19-2405 weight
~~content marketing checklist America 19-2109 content marketing checklist~~
budget travel blueprint for entrepreneurs 19-784 budget travel blueprint
for startups 19-1893 AI marketing tools America 19-1158 AI marketing
creators 19-2721 print on demand ideas for small business 19-1847 print
~~for creators 19-302 mental wellness explained for entrepreneurs 19-1038~~
explained for startups 19-475 passive income ideas for beginners for

[by step for creators 19-2268 career growth step by step for creators](#)
[cybersecurity roadmap for small business 19-1862 cybersecurity roadmap](#)
[for startups 19-1040 crypto investing roadmap for startups 19-752 crypto](#)
19-1934 YouTube growth checklist America 19-2767 YouTube growth
startups 19-1437 cybersecurity for beginners United States 19-1995
[19-907 retirement planning explained for small business 19-1140](#)
[productivity hacks apps United States 19-1069 productivity hacks apps](#)
[explained America 19-2280 weight loss explained USA 19-2435 weight loss](#)

How Motorcycle Engine Works :

strathmore university cpa course fees structure uniport edu - Mar 31 2022

web computer strathmore university cpa course fees structure is genial in our digital library an online access to it is set as public thus you can download it instantly

strathmore university fees structure for all courses - Dec 08 2022

web download strathmore university fees structure pdf for actuarial science mba cpa undergraduate postgraduate diploma courses masters certificate international students ph d jab ssp short courses distance education learning programmes pdf january may september strathmore university tuition fees 2019 2020 strathmore

strathmore university cpa course fees structure download - Jan 29 2022

web strathmore university cpa course fees structure is open in our digital library an online admission to it is set as public in view of that you can download it instantly our digital library saves in multipart countries allowing you to get the most less

cpa certified public accountants strathmore university - Aug 16 2023

web whatever your future ambitions might be the cpa section 1 course is a valuable introduction to the field of accountancy application form

certified public accountant cpa strathmore university - Apr 12 2023

web the certified public accountant cpa course provides a basis for professional careers such as accounting auditing finance management tax management and consultancy if one wishes to pursue a career as a professional accountant the cpa course is the first step towards a master s or other higher degrees in reputable universities especially

fee tuition fee anasayfa - Feb 27 2022

web 2021 2022 academic year fees tuition fees student fee tuition fee including international students international undergraduate programs dual degree programs tuition fees non thesis master s program fees

courses strathmore university - Nov 07 2022

web graduate courses master of science in computing and information systems msc cis cpa certified public accountants acca association of chartered certified accountants strathmore university brand guidelines lectures guide for online learning graduation policy

download strathmore university fees structure pdf 2022 2023 - Jul 03 2022

web download strathmore university fees structure pdf for actuarial science mba cpa undergraduate postgraduate diploma courses masters certificate international students ph d job ssp short courses distance education learning programmes pdf january may september strathmore university tuition fees 2022 2023 strathmore

certified public accountant cpa course at strathmore university - May 13 2023

web dec 12 2016 from section one to section 6 you require a total of ksh120 000 this money includes registration examination and training for registration alone you require a total of ksh 30 000 for the entire course you can refer to kasneb fees structure

strathmore university fees structure 2023 2024 kenyaadmission - Jul 15 2023

web the management of the strathmore university has released the school fees structure to be paid by each undergraduate and postgraduate degree phd masters diploma certificate short course and non degree students respectively for the 2023 2024 academic session

[strathmore university fees structure 2023 2024 eafinder.com](#) - Jan 09 2023

web this is information containing strathmore university fee structure 2023 2024 authority of the institution has released the amount payable as school fees for undergraduate programmes for the new academic session

[strathmore university fees structure 2023 2024 kenyapen](#) - Aug 04 2022

web nov 10 2022 filed in fees structure by editor1 on 10 11 2022 0 comments strathmore university fees structure 2023 2024 released approved strathmore university fees structure pdf download for 2023 2024 academic year

strathmore university courses fees structure 2020 tuko.co.ke - Mar 11 2023

web nov 28 2022 strathmore university fee structure strathmore university fees structures vary widely across schools programs mode of study and level of education for example for the certified financial analyst cfa level 1 strathmore charges a tuition fee of ksh 105 000

strathmore university courses fees prospectus mabumbe - Sep 05 2022

web get all information about strathmore university courses fees structure and prospectus for undergraduate postgraduate diploma and certificates also learn about strathmore university fees structure and prospectus brochure ranking campuses and more

strathmore university fee structure 2023 2024 kescholars com - May 01 2022

web strathmore university fee structure is a document that contains the schedule of tuition fees for the various undergraduate postgraduate certificate diploma courses offered in the institution and also strathmore university scholarships etc

certified public accountant course cpa at strathmore university - Jun 14 2023

web certified public accountant course cpa at strathmore university strathmore university course details length entry requirements and application procedure

get the free strathmore cpa fee structure 2022 form pdffiller - Jun 02 2022

web this fee structure outlines the tuition fees registration fees examination fees and any other charges that students need to pay in order to enroll in the cpa program and pursue their cpa certification

strathmore university fees structure for 2021 2022 2023 2024 - Feb 10 2023

web the management of strathmore university has released the fee structure for all courses for 2021 2022 academic sessions fees vary based on the programme you are undertaking the school fees for undergraduate and postgraduate students are

strathmore university fee structure 2024 2025 beraportal kenya - Oct 06 2022

web strathmore university fee structure 2024 2025 official strathmore university fee structure 2024 2025 pdf download latest update the authority of the strathmore university has released the amount payable as school

fees and scholarships izu - Dec 28 2021

web 25 scholarship 5 250 50 scholarship 3 500 100 scholarship 0 the tuition fees and scholarships mentioned above are also valid for the 2023 2024 language preparatory school international students can choose to pay the tuition either for a year advance payment or for a semester half of the fees

express to the toefl ibt r test with cd rom 0 2022 ftp bonide - Oct 04 2022

web jun 14 2023 the toefl ibt test by tammy leroi gilbert new e book express to the toefl ibt r test with cd rom express to the toefl ibt test with cd rom tammy leroi longman

express to the toefl ibt test etext folder with access code - Apr 10 2023

web express to the toefl ibt r test with cd rom 0 tactics for toefl ibt jan 24 2021 official toefl ibt tests volume 2 second edition jan 16 2023 the bestselling

express to the toefl ibt r test with cd rom 0 book - Mar 09 2023

web the express to the toefl ibt test is the ideal way for students to quickly prepare for the toefl ibt and improve their scores it completely covers all of the skills and

express to the toefl ibt r test with cd rom 0 h douglas brown - Apr 29 2022

web free toefl reading test with test of english as a foreign language toefl 2020 express to the toefl ibt r test with cd rom
tammy le toefl ibt scores for test takers the 39 best toefl

[express to the toefl ibt test with cd rom amazon com](#) - Jul 13 2023

web nov 30 2012 authentic practice with sample test items in the style of the toefl ibt test express tips with useful
suggestions and essential strategies for answering

express to the toefl ibt r test with cd rom 0 - Dec 26 2021

web the toefl ibt is a 4 5 hour english test that tests reading comprehension listening comprehension speaking and writing all
in an academic context because the toefl

[express to the toefl ibt test complete audio cds goodreads](#) - Sep 22 2021

[express to the toefl ibt test with cd rom goodreads](#) - Feb 08 2023

web apr 11 2022 the most up to date toefl test prep manual on the market the fifteenth edition of barron s toefl ibt is
available in options that include a book with two mp3

[toefl ibt testing options ets](#) - Oct 24 2021

web need the most improvement the perfect core course text student book for use in class or for independent study complete
digital support cd rom online toefl practice at

download solutions express to the toefl ibt r test with cd rom 0 - Jul 01 2022

web mar 1 2023 you could buy lead express to the toefl ibt r test with cd rom 0 or acquire it as soon as feasible you could
speedily download this express to the toefl ibt r test

express to the toefl ibt r test with cd rom 0 pdf uniport edu - May 31 2022

web express to the toefl ibt r test with cd rom 0 is available in our book collection an online access to it is set as public so you
can get it instantly our books collection spans

barron s toefl ibt with cd rom and mp3 audio cds 15th - Jan 07 2023

web 0 homepage archive org identifier expresstotofelib0000gilb identifier ark ark 13960 s285nqh7s1r invoice 1652 isbn
9780132861625 lccn 2012031658 ocr

express to the toefl ibt r test with cd rom paperback - Jun 12 2023

web nov 20 2012 the perfect core course text student book for use in class or for independent study including clear
explanations and computer screen pictures of each

express to the toefl ibt test gilbert tammy le roi free - Dec 06 2022

web amazon in buy express to the toefl ibt r test with cd rom book online at best prices in india on amazon in read express to

the toefl ibt r test with cd rom

toefl ibt toefl guide to english exams ef education first - Nov 24 2021

web test at a test center if you prefer a traditional test environment a test center is the best option for you availability

available worldwide at thousands of authorized toefl ibt

express to the toefl ibt r test with cd rom kağıt kapak - Aug 14 2023

web express to the toefl ibt r test with cd rom tammy le roi gilbert amazon com tr kitap

express to the toefl ibt r test with cd rom 0 by tammy le - Sep 03 2022

web buy express to the toefl ibt test with cd rom by gilbert tammy leroi zemach dorothy isbn 9780132861625 from amazon s book store everyday low prices and

express to the toefl ibt test with cd rom paperback - Aug 02 2022

web express to the toefl ibt r test with cd rom 0 delta s key to the next generation toefl test apr 12 2020 six practice tests for the ibt gives students plenty of

toefl ibt with cd rom free download borrow - May 11 2023

web buy express to the toefl ibt test etext folder with access code and cd rom by gilbert tammy leroi zemach dorothy isbn 9780133438031 from amazon s book

express to the toefl ibt r test with cd rom 0 by tammy le - Mar 29 2022

web we meet the expense of express to the toefl ibt r test with cd rom 0 and numerous ebook collections from fictions to scientific research in any way in the middle of them is

toefl ibt test ets - Jan 27 2022

web express to the toefl ibt r test with cd rom 0 toefl ibt decoding the toefl ibt reading intermediate new toefl edition toefl ibt with cd rom decoding the

express to the toefl ibt r test with cd rom 0 guy brook hart - Feb 25 2022

web preply tutors have been trained to teach the kind of academic english that appears on the toefl ibt test learn more official toefl ibt prep course with more than 60

buy express to the toefl ibt r test with cd rom book - Nov 05 2022

web express to the toefl ibt r test with cd rom 0 1 express to the toefl ibt r test with cd rom 0 toefl ibt with cd rom official guide to the toefl test with

improving outcomes for congestive heart failure patients - Dec 28 2021

web nursing practice dnp project was based primarily on a quality improvement initiative that included the development of a 6 week care management program provided in an outpatient primary care practice with a moderate volume of patients

diagnosed with congestive heart failure chf additionally the goals of the project were to improve the

concept map heart failure concept map plan of care - Jun 14 2023

web submit your concept map for review concept map worksheet include pathophysiology of disease process left sided heart failure results due to the failure of the pumping ability of the left ventricle and decreases cardiac output and blood is backs up into the left atrium and lungs which causing pulmonary congestion if

[how to create a concept map on heart failure youtube](#) - Jan 29 2022

web creating a concept map makes it easy for your brain to remember nursing information learn the 4 steps to easy a s in nursing with my free workshop nur

congestive heart failure nursing statpearls ncbi bookshelf - Jul 03 2022

web nov 7 2022 introduction heart failure is a common and complex clinical syndrome that results from any functional or structural heart disorder impairing ventricular filling or ejection of blood to the systemic circulation to meet the body s needs heart failure can be caused by several different diseases

4100 concept map on heart failure studocu - Mar 11 2023

web 1 and acknowledge patient s perception of threat and situation encourage expressions of emotions 2 for verbal and nonverbal signs of anxiety restlessness changes in vital signs and stay with patient intervene as needed 3 all questions factually provide consistent information and repeat if needed interventions at least 3

[265 concept map 2 notes congestive heart failure chf](#) - Jul 15 2023

web it is treatable however left untreated it may lead to death ignatavicius amp workman 2016 p etiology congestive heart failure is usually caused by hypertension myocardial infarction mi it may also be caused by structural heart changes or valvular deformity such as aortic or pulmonic valve stenosis ignatavicius amp workman 2016 p

sample student prepared concept map on heart failure - May 13 2023

web download scientific diagram sample student prepared concept map on heart failure from publication concept maps a tool to prepare for high fidelity simulation in nursing in this

01 07 congestive heart failure concept map nursing com - Aug 16 2023

web this course has concept map examples that you can use to make connections between risk factors medications patient education and nursing interventions advance your critical thinking skills as the nurse educators take you through all

[congestive heart failure and pulmonary edema concept map](#) - Feb 10 2023

web congestive heart failure and pulmonary edema concept map free download as word doc doc docx pdf file pdf text file txt or read online for free scribd is the world s largest social reading and publishing site

13 heart failure nursing care plans nurseslabs - Oct 06 2022

web aug 12 2023 updated on august 12 2023 by matt vera bsn r n utilize this comprehensive nursing care plan and management guide to provide optimal care for patients with heart failure gain valuable insights on nursing assessment interventions goals and nursing diagnosis specifically tailored for heart failure in this guide

heart failure nursing care management a study guide nurseslabs - May 01 2022

web may 19 2022 what is heart failure heart failure also known as congestive heart failure is recognized as a clinical syndrome characterized by signs and symptoms of fluid overload or of inadequate tissue perfusion heart failure is the inability of the heart to pump sufficient blood to meet the needs of the tissues for oxygen and nutrients

the ultimate concept map of congestive heart failure - Sep 05 2022

web may 30 2023 the ultimate concept map of congestive heart failure everything you need to know updated on may 30 2023 if you or a loved one has been diagnosed with congestive heart failure it can be overwhelming to understand what it is how it affects your body and what treatment options are available

sample concept map for congestive heart failure pdf - Aug 04 2022

web sample concept map for congestive heart failure sample concept map for congestive heart failure 4 downloaded from cornelisfr vanlanschot be on 2019 02 10 by guest jean foret giddens 2019 02 02 get all the strategies and guidance you need successfully implement conceptual learning with mastering concept based teaching

congestive heart failure mind map goconqr - Feb 27 2022

web a concept map about congestive heart failure medicine cmap chf mind map by mohammed alshura updated more than 1 year ago more less created by mohammed alshura almost 7 years ago 867 0 0 resource summary congestive heart failure risk factors hypertension

sample concept map for congestive heart failure - Mar 31 2022

web we present you this proper as capably as easy artifice to get those all we give sample concept map for congestive heart failure and numerous ebook collections from fictions to scientific research in any way along with them is this sample concept map for congestive heart failure that can be your partner

congestive heart failure concept map studocu - Apr 12 2023

web medical diagnosis congestive heart failure chf pathology myocardial dysfunction results in a decreased cardiac output and perfusion to the kidneys this activates the bodies compensatory response increasing

congestive heart failure 1 concept map scribd - Dec 08 2022

web congestive heart failure 1 concept map free download as word doc doc pdf file pdf text file txt or read online for free scribd is the world s largest social reading and publishing site

congestive heart failure mindmeister mind map - Jun 02 2022

web 7 3 1 1 increase the force of myocardial contraction ve inotropic leading to decrease in heart size venous pressure and edema 2 slow heart rate ve chronotropic by vagal stimulation 7 4 therapeutic uses 7 4 1 congestive heart failure atrial arrhythmias atrial flutter atrial fibrillation supraventricular tachycardia 7 5

congestive heart failure concept map docx course hero - Nov 07 2022

web view congestive heart failure concept map docx from nsg 229 at gateway community and technical college nsg 229 concept map name risk factors smoking obesity age high blood pressure potential

congestive heart failure chf nursing diagnosis and care plan - Jan 09 2023

web congestion is one of the common features of heart failure thus the term congestive heart failure is still used by many medical professionals signs and symptoms of heart failure dyspnea shortness of breath upon exertion or lying down jugular vein distention jvd fatigue and reduced ability to exercise