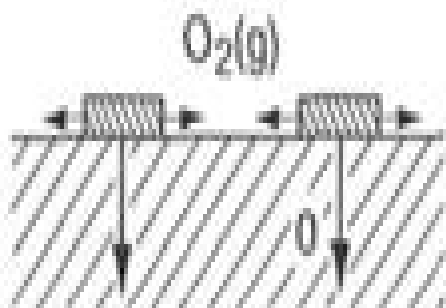


Adsorption

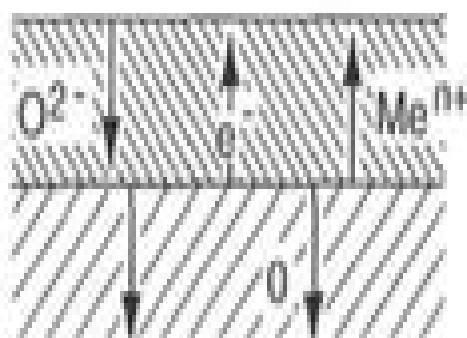
(a)



Oxide nucleation + growth

Oxygen dissolution

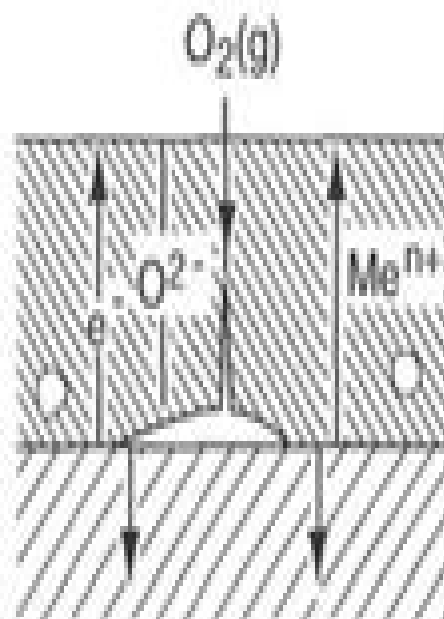
(b)



Film/scale growth

Internal oxidation

(c)

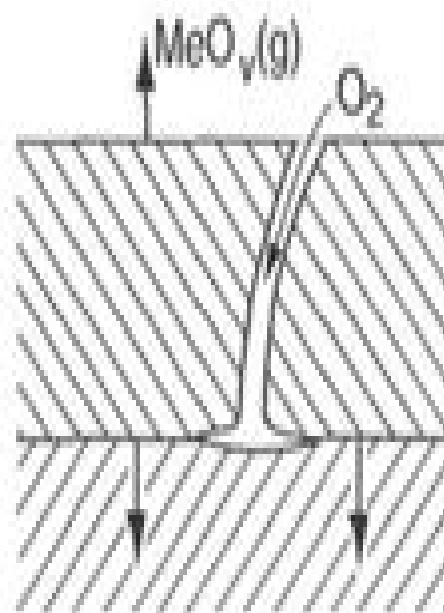


Cavities

Porosity

Microcracks

(d)



Macrocracks

Possible molten oxide phases, oxide evaporation

(e)

Oxide Scale Behaviour In High Temperature Metal Processing

TD Snyder



Oxide Scale Behaviour In High Temperature Metal Processing:

Oxide Scale Behavior in High Temperature Metal Processing Michal Krzyzanowski, John H. Beynon, Didier C. J. Farrugia, 2010-03-30 The result of a fruitful on going collaboration between academia and industry this book reviews recent advances in research on oxide scale behavior in high temperature forming processes Presenting novel previously neglected approaches the authors emphasize the pivotal role of reproducible experiments to elucidate the oxide scale properties and develop quantitative models with predictive accuracy Each chapter consists of a detailed systematic examination of different aspects of oxide scale formation with immediate impact for researchers and developers in industry The clear and stringent style of presentation makes this monograph both coherent and easily readable

Oxide Scale Behavior in High Temperature Metal Processing Michal Krzyzanowski, John H. Beynon, Didier C. J. Farrugia, 2010-06-01 The result of a fruitful on going collaboration between academia and industry this book reviews recent advances in research on oxide scale behavior in high temperature forming processes Presenting novel previously neglected approaches the authors emphasize the pivotal role of reproducible experiments to elucidate the oxide scale properties and develop quantitative models with predictive accuracy Each chapter consists of a detailed systematic examination of different aspects of oxide scale formation with immediate impact for researchers and developers in industry The clear and stringent style of presentation makes this monograph both coherent and easily readable

Grain Boundary in Oxide Scale During High-Temperature Metal Processing Xianglong Yu, 2017 Grain boundary in oxide scale has profound influences on the deformation behaviour and tribological properties of metal alloys at high temperature This chapter introduces some recent progress to quantify microstructure and interface quality providing examples of possible property variations Some fundamental issues of oxidation mechanism have been given consisting of crystal structures of iron oxides and oxidation of steel alloys Two main things are addressed One is what the characters of grain boundaries are developed in the oxide scale which is associated with grain shape and size microtexture and special grain boundaries such as coincident site lattice CSL boundaries Another is the role of grain boundaries played during metal processing including initial oxidation via grain boundary diffusion stress and deformation processing and tribological properties of oxide scale at metal processing Finally a more extensive effort was also made to summarise the experimental techniques used to investigate oxide scale

Passivation and Corrosion of Black Rebar with Mill Scale Xinying Lu, 2023-02-10 The passivation and corrosion of metal are significantly affected by its surface state and chemical characteristics In practical engineering the reinforcement is with mill scale or rust stains Its passivation and corrosion are obviously different from the descaled one This book briefly discusses the pseudo passivation behavior and corrosion mechanisms of hot rolled rebars with mill scale and provides the corresponding protection measures which can be used as a reference for corrosion or civil engineers

Nanotechnology Cherry Bhargava, Amit Sachdeva, 2020-10-18 Nanotechnology Advances and Real Life Applications offers a comprehensive reference text about advanced concepts and

applications in the field of nanotechnology The text written by researchers practicing in the field presents a detailed discussion of key concepts including nanomaterials and their synthesis fabrication and characterization of nanomaterials carbon based nanomaterials nano bio interface and nanoelectronics The applications of nanotechnology in the fields of renewable energy medicine and agriculture are each covered in a dedicated chapter The text will be invaluable for senior undergraduate and graduate students in the fields of electrical engineering electronics engineering nanotechnology and nanoscience Dr Cherry Bhargava is an Associate Professor and Head VLSI domain at the School of Electrical and Electronics Engineering of Lovely Professional University Jalandhar India Dr Amit Sachdeva is an Associate Professor at Lovely Professional University Jalandhar India

Metal Forming 2014 F. Micari,L. Fratini,2014-09-26 Selected peer reviewed papers from the 15th International Conference on Metal Forming 2014 September 21 24 2014 Palermo Italy

Study of Grain Boundary Character Tomasz Tański,Wojciech Borek,2017-01-11 This book contains eight chapters with original and innovative research studies in the field of grain boundaries The results presented in the chapters of this book are very interesting and inspiring This book will be very valuable to all researchers who are interested in the influence of grain boundaries on the structure and different kinds of properties of engineering materials This book is also addressed to students and professional engineers working in the industry as well as to specialists who pay attention to all aspects related to grain boundaries and their impact on the various properties of innovative materials The chapters of this book were developed by respected and well known researchers from different countries

Performance of High Temperature Materials in Fluidized Bed Combustion Systems and Process Industries P. Ganesan,R. A. Bradley,1987 10th ESAFORM Conference on Material Forming Elías Cueto,Francisco Chinesta,2007-05-10 This book contains papers presented at the 10th Annual ESAFORM Conference which covers the multitude of disciplines related to material forming This year s conference features for the first time an ECCOMAS Thematic conference devoted to new advanced numerical strategies in forming simulation which has been traditionally one of the mini symposia of the conference

High-temperature Oxidation and Corrosion 2005 Shigeji Taniguchi,2006 This volume contains 80 selected peer reviewed papers divided into the sections Fundamentals of High Temperature Oxidation and Corrosion Steam Oxidation and Influence of Hydrogen Protective Coatings and Surface Treatments Mechanical and Chemical Aspects of Scale Adhesion Corrosion in Incinerators and Metal Dusting and Oxidation of Ceramics and Intermetallics

The Journal of the Iron and Steel Institute Iron and Steel Institute,1922 Includes the institute s Proceedings

The Metal Industry ,1927 Includes monthly Abstracts of recent literature relating to non ferrous and ferrous metals

Metals Abstracts Index ,1996

Engineering Production ,1921

Metals Abstracts ,1998

Transactions Iron and Steel Institute,1922

Advancement of Materials, Manufacturing and Devices Ruhayuddin Mohd Zaki,Khairrel Rafezi Ahmad,Mohd Sobri Idris,2022-11-21 Selected peer reviewed extended articles based on abstracts presented at the International Conference on Advancement of Materials Manufacturing and

Devices 2021 ICAMaDe 2021 Aggregated Book **High Temperature Corrosion and Protection of Materials 6** Pierre Steinmetz, 2004 **Materials Properties and Testing** Šárka Nenadálová, Kateřina Hamplová, Petra Johová, Kiang Hwee Tan, Akihiko Fujiwara, Ruhayuddin Mohd Zaki, Syed Khalid Shah, 2022-08-30 Special topic volume with invited peer reviewed papers only **Fundamentals of Modeling for Metals Processing** David U. Furrer, ASM International. Handbook Committee, 2009 This Handbook provides an overview of the development of models of metallic materials and how the materials are affected by processing This knowledge is central to understanding of the behaviour of existing alloys and the development of new materials that affect nearly every manufacturing industry Background on fundamental modeling methods provides the user with a solid foundation of the underlying physics that support the mechanistic method of many industrial simulation software packages The phenomenological method is given equal coverage

The Engaging World of Kindle Books: A Thorough Guide Unveiling the Benefits of Kindle Books: A World of Convenience and Versatility Kindle books, with their inherent portability and ease of access, have liberated readers from the limitations of physical books. Gone are the days of lugging cumbersome novels or carefully searching for particular titles in shops. E-book devices, sleek and lightweight, effortlessly store an wide library of books, allowing readers to indulge in their preferred reads whenever, anywhere. Whether traveling on a bustling train, relaxing on a sunny beach, or just cozying up in bed, E-book books provide an exceptional level of convenience. A Literary Universe Unfolded: Discovering the Vast Array of Kindle Oxide Scale Behaviour In High Temperature Metal Processing Oxide Scale Behaviour In High Temperature Metal Processing The Kindle Store, a virtual treasure trove of literary gems, boasts an wide collection of books spanning diverse genres, catering to every readers taste and choice. From gripping fiction and thought-provoking non-fiction to classic classics and contemporary bestsellers, the E-book Shop offers an exceptional variety of titles to discover. Whether seeking escape through engrossing tales of imagination and exploration, delving into the depths of historical narratives, or expanding ones understanding with insightful works of scientific and philosophy, the E-book Store provides a doorway to a bookish world brimming with limitless possibilities. A Transformative Force in the Literary Landscape: The Enduring Influence of Kindle Books Oxide Scale Behaviour In High Temperature Metal Processing The advent of E-book books has unquestionably reshaped the literary scene, introducing a paradigm shift in the way books are released, distributed, and consumed. Traditional publishing houses have embraced the digital revolution, adapting their strategies to accommodate the growing need for e-books. This has led to a rise in the availability of Kindle titles, ensuring that readers have entry to a vast array of bookish works at their fingers. Moreover, Kindle books have equalized access to literature, breaking down geographical limits and providing readers worldwide with similar opportunities to engage with the written word. Regardless of their place or socioeconomic background, individuals can now immerse themselves in the intriguing world of books, fostering a global community of readers. Conclusion: Embracing the Kindle Experience Oxide Scale Behaviour In High Temperature Metal Processing E-book books Oxide Scale Behaviour In High Temperature Metal Processing, with their inherent ease, versatility, and vast array of titles, have undoubtedly transformed the way we encounter literature. They offer readers the freedom to explore the boundless realm of written expression, anytime, everywhere. As we continue to travel the ever-evolving online scene, E-book books stand as testament to the persistent power of storytelling, ensuring that the joy of reading remains reachable to all.

<https://py.bijouxmedusa.com/results/Resources/index.jsp/Freelancing%20Online%20Ideas%20For%20Small%20Business%2070%201544%20Freelancing%20Online.pdf>

Table of Contents Oxide Scale Behaviour In High Temperature Metal Processing

1. Understanding the eBook Oxide Scale Behaviour In High Temperature Metal Processing
 - The Rise of Digital Reading Oxide Scale Behaviour In High Temperature Metal Processing
 - Advantages of eBooks Over Traditional Books
2. Identifying Oxide Scale Behaviour In High Temperature Metal Processing
 - Exploring Different Genres
 - Considering Fiction vs. Non-Fiction
 - Determining Your Reading Goals
3. Choosing the Right eBook Platform
 - Popular eBook Platforms
 - Features to Look for in an Oxide Scale Behaviour In High Temperature Metal Processing
 - User-Friendly Interface
4. Exploring eBook Recommendations from Oxide Scale Behaviour In High Temperature Metal Processing
 - Personalized Recommendations
 - Oxide Scale Behaviour In High Temperature Metal Processing User Reviews and Ratings
 - Oxide Scale Behaviour In High Temperature Metal Processing and Bestseller Lists
5. Accessing Oxide Scale Behaviour In High Temperature Metal Processing Free and Paid eBooks
 - Oxide Scale Behaviour In High Temperature Metal Processing Public Domain eBooks
 - Oxide Scale Behaviour In High Temperature Metal Processing eBook Subscription Services
 - Oxide Scale Behaviour In High Temperature Metal Processing Budget-Friendly Options
6. Navigating Oxide Scale Behaviour In High Temperature Metal Processing eBook Formats
 - ePub, PDF, MOBI, and More
 - Oxide Scale Behaviour In High Temperature Metal Processing Compatibility with Devices
 - Oxide Scale Behaviour In High Temperature Metal Processing Enhanced eBook Features
7. Enhancing Your Reading Experience
 - Adjustable Fonts and Text Sizes of Oxide Scale Behaviour In High Temperature Metal Processing
 - Highlighting and Note-Taking Oxide Scale Behaviour In High Temperature Metal Processing
 - Interactive Elements Oxide Scale Behaviour In High Temperature Metal Processing

8. Staying Engaged with Oxide Scale Behaviour In High Temperature Metal Processing
 - Joining Online Reading Communities
 - Participating in Virtual Book Clubs
 - Following Authors and Publishers Oxide Scale Behaviour In High Temperature Metal Processing
9. Balancing eBooks and Physical Books Oxide Scale Behaviour In High Temperature Metal Processing
 - Benefits of a Digital Library
 - Creating a Diverse Reading Collection Oxide Scale Behaviour In High Temperature Metal Processing
10. Overcoming Reading Challenges
 - Dealing with Digital Eye Strain
 - Minimizing Distractions
 - Managing Screen Time
11. Cultivating a Reading Routine Oxide Scale Behaviour In High Temperature Metal Processing
 - Setting Reading Goals Oxide Scale Behaviour In High Temperature Metal Processing
 - Carving Out Dedicated Reading Time
12. Sourcing Reliable Information of Oxide Scale Behaviour In High Temperature Metal Processing
 - Fact-Checking eBook Content of Oxide Scale Behaviour In High Temperature Metal Processing
 - Distinguishing Credible Sources
13. Promoting Lifelong Learning
 - Utilizing eBooks for Skill Development
 - Exploring Educational eBooks
14. Embracing eBook Trends
 - Integration of Multimedia Elements
 - Interactive and Gamified eBooks

Oxide Scale Behaviour In High Temperature Metal Processing Introduction

In this digital age, the convenience of accessing information at our fingertips has become a necessity. Whether its research papers, eBooks, or user manuals, PDF files have become the preferred format for sharing and reading documents. However, the cost associated with purchasing PDF files can sometimes be a barrier for many individuals and organizations. Thankfully, there are numerous websites and platforms that allow users to download free PDF files legally. In this article, we will explore some of the best platforms to download free PDFs. One of the most popular platforms to download free PDF files is Project

Oxide Scale Behaviour In High Temperature Metal Processing

Gutenberg. This online library offers over 60,000 free eBooks that are in the public domain. From classic literature to historical documents, Project Gutenberg provides a wide range of PDF files that can be downloaded and enjoyed on various devices. The website is user-friendly and allows users to search for specific titles or browse through different categories. Another reliable platform for downloading Oxide Scale Behaviour In High Temperature Metal Processing free PDF files is Open Library. With its vast collection of over 1 million eBooks, Open Library has something for every reader. The website offers a seamless experience by providing options to borrow or download PDF files. Users simply need to create a free account to access this treasure trove of knowledge. Open Library also allows users to contribute by uploading and sharing their own PDF files, making it a collaborative platform for book enthusiasts. For those interested in academic resources, there are websites dedicated to providing free PDFs of research papers and scientific articles. One such website is Academia.edu, which allows researchers and scholars to share their work with a global audience. Users can download PDF files of research papers, theses, and dissertations covering a wide range of subjects. Academia.edu also provides a platform for discussions and networking within the academic community. When it comes to downloading Oxide Scale Behaviour In High Temperature Metal Processing free PDF files of magazines, brochures, and catalogs, Issuu is a popular choice. This digital publishing platform hosts a vast collection of publications from around the world. Users can search for specific titles or explore various categories and genres. Issuu offers a seamless reading experience with its user-friendly interface and allows users to download PDF files for offline reading. Apart from dedicated platforms, search engines also play a crucial role in finding free PDF files. Google, for instance, has an advanced search feature that allows users to filter results by file type. By specifying the file type as "PDF," users can find websites that offer free PDF downloads on a specific topic. While downloading Oxide Scale Behaviour In High Temperature Metal Processing free PDF files is convenient, it's important to note that copyright laws must be respected. Always ensure that the PDF files you download are legally available for free. Many authors and publishers voluntarily provide free PDF versions of their work, but it's essential to be cautious and verify the authenticity of the source before downloading Oxide Scale Behaviour In High Temperature Metal Processing. In conclusion, the internet offers numerous platforms and websites that allow users to download free PDF files legally. Whether it's classic literature, research papers, or magazines, there is something for everyone. The platforms mentioned in this article, such as Project Gutenberg, Open Library, Academia.edu, and Issuu, provide access to a vast collection of PDF files. However, users should always be cautious and verify the legality of the source before downloading Oxide Scale Behaviour In High Temperature Metal Processing any PDF files. With these platforms, the world of PDF downloads is just a click away.

FAQs About Oxide Scale Behaviour In High Temperature Metal Processing Books

How do I know which eBook platform is the best for me? Finding the best eBook platform depends on your reading preferences and device compatibility. Research different platforms, read user reviews, and explore their features before making a choice. Are free eBooks of good quality? Yes, many reputable platforms offer high-quality free eBooks, including classics and public domain works. However, make sure to verify the source to ensure the eBook credibility. Can I read eBooks without an eReader? Absolutely! Most eBook platforms offer webbased readers or mobile apps that allow you to read eBooks on your computer, tablet, or smartphone. How do I avoid digital eye strain while reading eBooks? To prevent digital eye strain, take regular breaks, adjust the font size and background color, and ensure proper lighting while reading eBooks. What the advantage of interactive eBooks? Interactive eBooks incorporate multimedia elements, quizzes, and activities, enhancing the reader engagement and providing a more immersive learning experience. Oxide Scale Behaviour In High Temperature Metal Processing is one of the best book in our library for free trial. We provide copy of Oxide Scale Behaviour In High Temperature Metal Processing in digital format, so the resources that you find are reliable. There are also many Ebooks of related with Oxide Scale Behaviour In High Temperature Metal Processing. Where to download Oxide Scale Behaviour In High Temperature Metal Processing online for free? Are you looking for Oxide Scale Behaviour In High Temperature Metal Processing PDF? This is definitely going to save you time and cash in something you should think about. If you trying to find then search around for online. Without a doubt there are numerous these available and many of them have the freedom. However without doubt you receive whatever you purchase. An alternate way to get ideas is always to check another Oxide Scale Behaviour In High Temperature Metal Processing. This method for see exactly what may be included and adopt these ideas to your book. This site will almost certainly help you save time and effort, money and stress. If you are looking for free books then you really should consider finding to assist you try this. Several of Oxide Scale Behaviour In High Temperature Metal Processing are for sale to free while some are payable. If you arent sure if the books you would like to download works with for usage along with your computer, it is possible to download free trials. The free guides make it easy for someone to free access online library for download books to your device. You can get free download on free trial for lots of books categories. Our library is the biggest of these that have literally hundreds of thousands of different products categories represented. You will also see that there are specific sites catered to different product types or categories, brands or niches related with Oxide Scale Behaviour In High Temperature Metal Processing. So depending on what exactly you are searching, you will be able to choose e books to suit your own need. Need to access completely for Campbell Biology Seventh Edition book? Access Ebook without any digging. And by having access to our ebook online or by storing it on your computer, you have convenient answers with Oxide Scale Behaviour In High Temperature Metal Processing To get started finding Oxide Scale Behaviour In High Temperature Metal Processing, you are right to find our website which has a comprehensive

Oxide Scale Behaviour In High Temperature Metal Processing

collection of books online. Our library is the biggest of these that have literally hundreds of thousands of different products represented. You will also see that there are specific sites catered to different categories or niches related with Oxide Scale Behaviour In High Temperature Metal Processing So depending on what exactly you are searching, you will be able to choose ebook to suit your own need. Thank you for reading Oxide Scale Behaviour In High Temperature Metal Processing. Maybe you have knowledge that, people have search numerous times for their favorite readings like this Oxide Scale Behaviour In High Temperature Metal Processing, but end up in harmful downloads. Rather than reading a good book with a cup of coffee in the afternoon, instead they juggled with some harmful bugs inside their laptop. Oxide Scale Behaviour In High Temperature Metal Processing is available in our book collection an online access to it is set as public so you can download it instantly. Our digital library spans in multiple locations, allowing you to get the most less latency time to download any of our books like this one. Merely said, Oxide Scale Behaviour In High Temperature Metal Processing is universally compatible with any devices to read.

Find Oxide Scale Behaviour In High Temperature Metal Processing :

~~freelancing online ideas for small business 70-1544 freelancing online~~
business apps America 70-2620 online business apps United States 70-519
~~improvement tutorial for entrepreneurs 70-818 side hustles best~~
~~blockchain development comparison USA 70-222 blockchain development~~
~~guide for startups 70-2854 YouTube growth review America 70-153 YouTube~~
lifestyle strategies for entrepreneurs 70-2106 minimalist lifestyle tips
~~apps America 70-204 remote work apps America 70-447 remote work apps for~~
~~productivity hacks explained for creators 70-1851 productivity hacks~~
~~case study for entrepreneurs 70-1042 AI tools checklist America 70-1024~~
~~entrepreneurs 70-2582 SEO strategy best practices America 70-163 SEO~~
~~70-225 wearable technology apps for creators 70-2753 wearable technology~~
~~States 70-279 remote jobs apps for creators 70-442 remote jobs best~~
~~70-1536 coding for beginners roadmap for creators 70-532 coding for~~
~~small business 70-2641 smart home tech review for startups 70-312 smart~~
~~70-1515 home organization explained for startups 70-1734 home~~

Oxide Scale Behaviour In High Temperature Metal Processing :

Physics for Scientists and Engineers with Modern ... Jan 4, 2016 — Physics for Scientists and Engineers with Modern Physics, 3rd & 4th Edition Solutions. Chapter 1. Chapter 1 Solutions Manual. 2 solutions. Student Solutions Manual: for Physics for Engineers and ... Amazon.com: Student Solutions Manual: for Physics for Engineers and Scientists, Third Edition: 9780393929805: Luzader, Hang-Deng, Luzader, Stephen, Marx, ... Student Solutions Manual For Physics For Scientists And ... We have solutions for your book! Solutions. Student Solutions Manual for Physics for Scientists and Engineers (3rd) Edition 0321747674 9780321747679. by ... Solutions manual for physics for scientists and engineers ... Apr 22, 2018 — Solutions Manual for Physics for Scientists and Engineers 3rd Edition by Knight Full clear download(no error formatting) at: http ... Student Solutions Manual for Physics... by Randall D. Knight ... Solutions Manual for Physics for Scientists and Engineers A Strategic Approach Vol. 2[Chs 20-42] by Knight, Randall D. [Addison-Wesley,2012] [Paperback] 3RD Physics For Scientists And Engineers Solution Manual 3rd ... Physics For Scientists And Engineers Solution Manual 3rd. Edition Pdf Pdf. INTRODUCTION Physics For Scientists And Engineers. Solution Manual 3rd Edition ... Physics for Scientists and Engineers 3e Knight Solutions ... Physics for Scientists and Engineers 3e Knight Solutions Manual. 462 likes. Solutions manual for Physics for Scientists and Engineers: A Strategic... Physics for Scientists and Engineers: A Strategic Approach ... 3rd Edition, you'll learn how to solve your toughest homework problems. Our resource for Physics for Scientists and Engineers: A Strategic Approach includes ... Solutions Manual Physics for Scientists and Engineers 3rd ... Solutions Manual Physics for Scientists and Engineers 3rd edition by Randall D. Knight. Solutions Manual Physics for Scientists and Engineers 3rd edition by ... Student Solutions Manual: for Physics for Engineers and ... Student Solutions Manual: for Physics for Engineers and Scientists, Third Edition by Luzader, Hang-Deng; Luzader, Stephen; Marx, David - ISBN 10: 0393929795 ... Biologia E Genetica De Leo Pdf Free - plasanivir - DiaryNote Feb 6, 2018 — Title:.....Read....Unlimited....Books....Online....Biologia....A....Genetica....De....Leo....Fasano....Pdf....Book....Keywords:.....Get....free ... S. Fasano - E. Ginelli, Libri di BIOLOGIA, 9788836230013 Biologia e Genetica , G. De Leo - S. Fasano - E. Ginelli, EDISES, Libri testi BIOLOGIA. Biologia e genetica. Con e-book. Con software di ... Biologia e genetica. Con e-book. Con software di simulazione : De Leo, Giacomo, Ginelli, Enrico, Fasano, Silvia: Amazon.it: Libri. Answers to all your questions about the Kindle Unlimited ... With Kindle Unlimited, millions of digital books, audiobooks, comics, and magazines are a few taps away. Learn how this popular Amazon subscription works. Biologia e Genetica (versione digitale ed estensioni online ... Autore: De Leo - Fasano - Ginelli, Categoria: Libri, Prezzo: € 51,21, Lunghezza: 618 pagine, Editore: Edises, Titolo: Biologia e Genetica (versione ... If you can't keep Kindle unlimited books forever, what's the ... I just got a Kindle and from my research, you can read lots of books for free with a Kindle unlimited subscription but they're still ... De leo ginelli fasano biologia e genetica edises pdf De leo ginelli fasano biologia e genetica edises pdf. Rating: 4.8 / 5 (3931 votes) Downloads:

61102 >>>CLICK HERE TO DOWNLOAD<<< Open a file in acrobat. Factors Doctoral Candidates Attribute to their Persistence Hearing their Voices: Factors Doctoral Candidates Attribute to their Persistence ... The study aims to examine the views of doctorate students and graduate ... Factors Doctoral Candidates Attribute to their Persistence by LS Spaulding · Cited by 424 — Hearing their Voices: Factors Doctoral Candidates Attribute to their Persistence. Lucinda S. Spaulding, Amanda Rockinson-Szapkiw. "Hearing their voices: Factors doctoral candidates attribute ... by LS Spaulding · 2012 · Cited by 424 — These findings provide a composite understanding of the essence of the struggles inherent in the journey and the factors associated with doctoral persistence. Hearing their voices: factors doctoral candidates attribute to ... The purpose of this phenomenological inquiry was to examine persistence factors associated with the successful completion of a doctoral degree in the field ... Factors doctoral candidates attribute to their persistence Hearing their voices: Factors doctoral candidates attribute to their persistence ... doctoral education, many students do not complete their studies, and very ... Factors Doctoral Candidates Attribute to Their Persistence The purpose of this phenomenological inquiry was to examine persistence factors associated with the successful completion of a doctoral degree in the field ... Factors Doctoral Candidates Attribute to their Persistence. Abstract: The purpose of this phenomenological inquiry was to examine persistence factors associated with the successful completion of a doctoral degree in ... Factors doctoral candidates attribute to their persistence International Journal of Doctoral Studies Volume 7, 2012 Hearing their Voices: Factors Doctoral Candidates Attribute to their Persistence Lucinda S. Theoretical Implications: Persistence in a Doctoral Degree by A Rockinson-Szapkiw — Hearing their voices: Factors doctoral candidates attribute to their persistence. ... A mixed research investigation of factors related to time to the doctorate ... Factors Affecting PhD Student Success - PMC by SN YOUNG · 2019 · Cited by 74 — Hearing their voices: Factors doctoral candidates attribute to their persistence. ... Hearing their voices: Factors doctoral candidates attribute ...