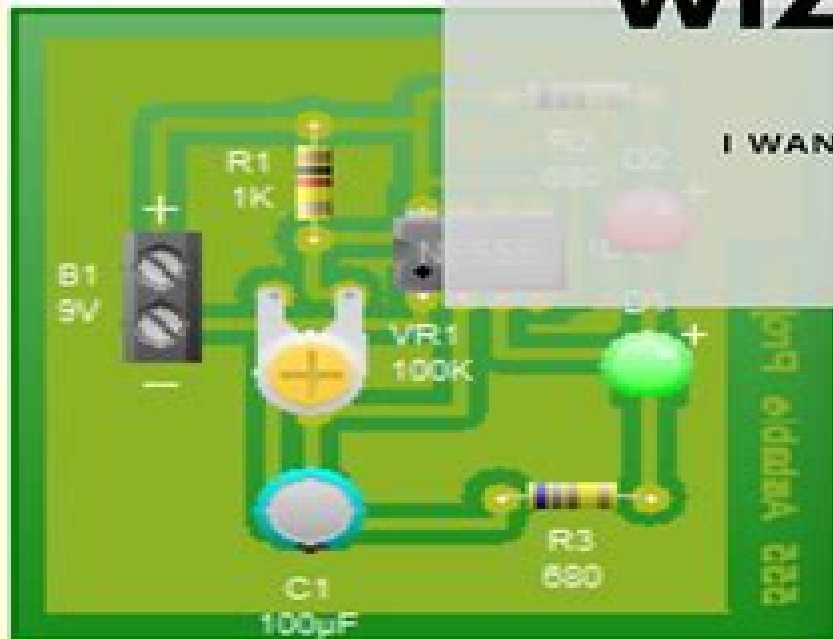
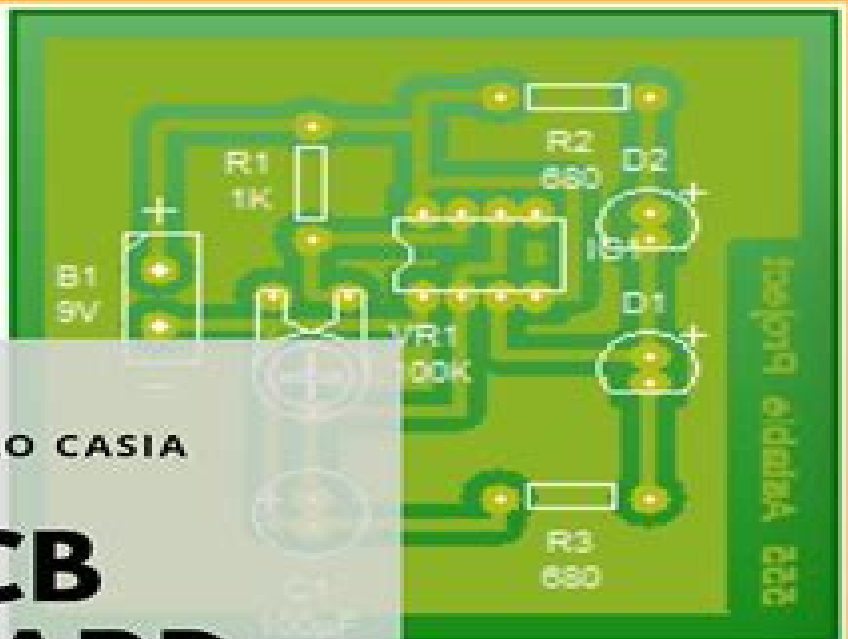
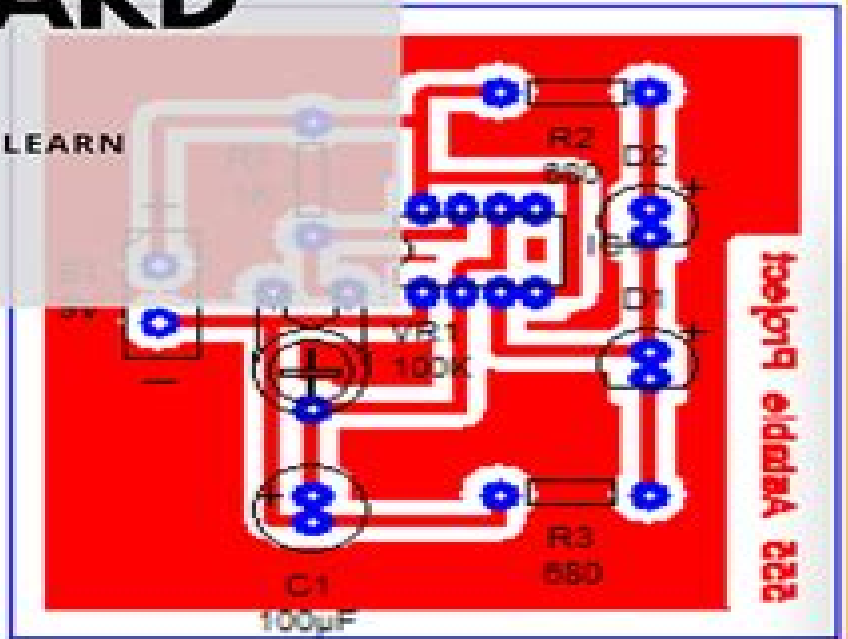


BY DANILLO CASIA

PCB WIZARD



I WANT LEARN



Pcb Wizard Tutorial 1

A B Lawal

A decorative graphic element consisting of a light blue horizontal bar with a rounded right end, and a red circular glow behind it.

Pcb Wizard Tutorial 1:

Complete PCB Design Using OrCad Capture and Layout Kraig Mitzner, 2011-04-01 Complete PCB Design Using OrCad Capture and Layout provides instruction on how to use the OrCAD design suite to design and manufacture printed circuit boards The book is written for both students and practicing engineers who need a quick tutorial on how to use the software and who need in depth knowledge of the capabilities and limitations of the software package There are two goals the book aims to reach The primary goal is to show the reader how to design a PCB using OrCAD Capture and OrCAD Layout Capture is used to build the schematic diagram of the circuit and Layout is used to design the circuit board so that it can be manufactured The secondary goal is to show the reader how to add PSpice simulation capabilities to the design and how to develop custom schematic parts footprints and PSpice models Often times separate designs are produced for documentation simulation and board fabrication This book shows how to perform all three functions from the same schematic design This approach saves time and money and ensures continuity between the design and the manufactured product Information is presented in the exact order a circuit and PCB are designed Straightforward realistic examples present the how and why the designs work providing a comprehensive toolset for understanding the OrCAD software Introduction to the IPC JEDEC and IEEE standards relating to PCB design Full color interior and extensive illustrations allow readers to learn features of the product in the most realistic manner possible [Complete PCB Design Using OrCAD Capture and PCB Editor](#) Kraig

Mitzner, 2009-05-28 This book provides instruction on how to use the OrCAD design suite to design and manufacture printed circuit boards The primary goal is to show the reader how to design a PCB using OrCAD Capture and OrCAD Editor Capture is used to build the schematic diagram of the circuit and Editor is used to design the circuit board so that it can be manufactured The book is written for both students and practicing engineers who need in depth instruction on how to use the software and who need background knowledge of the PCB design process Beginning to end coverage of the printed circuit board design process Information is presented in the exact order a circuit and PCB are designed Over 400 full color illustrations including extensive use of screen shots from the software allow readers to learn features of the product in the most realistic manner possible Straightforward realistic examples present the how and why the designs work providing a comprehensive toolset for understanding the OrCAD software Introduces and follows IEEE IPC and JEDEC industry standards for PCB design Unique chapter on Design for Manufacture covers padstack and footprint design and component placement for the design of manufacturable PCB s FREE CD containing the OrCAD demo version and design files

Thermal Analysis with SolidWorks Simulation 2014 Paul Kurowski, 2014 Thermal Analysis with SolidWorks Simulation 2014 goes beyond the standard software manual It concurrently introduces the reader to thermal analysis and its implementation in SolidWorks Simulation using hands on exercises A number of projects are presented to illustrate thermal analysis and related topics Each chapter is designed to build on the skills and understanding gained from previous exercises

Thermal Analysis with SolidWorks Simulation 2014 is designed for users who are already familiar with the basics of Finite Element Analysis FEA using SolidWorks Simulation or who have completed the book Engineering Analysis with SolidWorks Simulation 2014 Thermal Analysis with SolidWorks Simulation 2014 builds on these topics in the area of thermal analysis Some understanding of FEA and SolidWorks Simulation is assumed Desarrollo y Construcción de Prototipos Electrónicos Ángel Bueno Martín, Ana I. de Soto Gorroño, 2005-09-15 Este manual es una guía que proporciona instrucciones completas y detalladas para el uso de los programas OrCAD Capture Layout plus y LPKF CircuitCAM BoardMaster de diseño y construcción de prototipos electrónicos respectivamente Pretendemos familiarizar al lector con el entorno de trabajo CAD CAM electrónico a través del software propuesto Junto a las indicaciones que ayudan a adquirir la destreza en el manejo de las herramientas informáticas orientadas al diseño electrónico en este libro se dan una serie de consejos y observaciones de interés que facilitan el trabajo y aclaran las dudas que con frecuencia le surgen al principiante haciendo hincapié en la correcta obtención y presentación de resultados informes planos fotolitos etc Respecto a la metodología cabe destacar su carácter de tutorial es decir se propone un ejemplo que servir de hilo conductor para ir completando las fases que conforman la base de datos del diseño Cada tema está desarrollado gradualmente explicando los comandos e instrucciones allí donde aparecen por vez primera Se acompañan numerosas ventanas pantallas aclaratorias aportaciones prácticas y explicaciones adicionales en aras a facilitar la comprensión de lo expuesto Se trata en definitiva de un método que ayuda en la realización de un trabajo organizado y eficaz que facilita la labor del profesor y el aprendizaje del alumno MATERIALES ADICIONALES EN APARTADO DE DESCARGAS DEL WEB MARCOMBO.COM **PC Mag**, 1993-06-29 PCMag.com is a leading authority on technology delivering Labs based independent reviews of the latest products and services Our expert industry analysis and practical solutions help you make better buying decisions and get more from technology **Byte**, 1984 **Microtimes**, 1993-04 Macworld, 1989 *Sound & Vibration*, 2000 **PC/Computing**, 1993-07 **SolidWorks práctico II - 2.ª edición** Sergio Gómez González, 2024-06-19 Si es un estudiante o un diseñador novel que desea adentrarse en el diseño y validación de productos mecánicos con SolidWorks con el objetivo de crear máquinas mecanismos productos o modelos para impresión 3D ha llegado al libro indicado SolidWorks práctico II es una compilación de prácticas guiadas y ejercicios de examen diseñados por el autor para sus clases universitarias en la Universidad Politécnica de Cataluña EEBE UPC Estas prácticas abarcan una amplia gama de complementos como Routing Motion Simulation FlowSimulation Photoview SolidCAM DMFXpress entre otros El contenido del libro se caracteriza por su enfoque visual y práctico lo que facilita la lectura con abundantes ilustraciones que detallan las etapas necesarias para utilizar los complementos de SolidWorks en el diseño y validación de productos más eficientes seguros y económicos Además en el libro encontrar el código de acceso que le permitirá descargar de forma gratuita los contenidos adicionales desde www.marcombo.info que incluyen los modelos descritos a lo largo de la obra Esta segunda edición también cuenta con el acceso gratuito al Curso de SolidWorks Simulation Flow

Simulation y otros complementos Dicho curso est valorado en 35 y se compone de 54 videos con una duraci n total de 8 horas para que profundice en el entorno las aplicaciones y las funcionalidades de Solidworks el dise o de chapa met lica el dise o de moldes para inyecci n de pl sticos las simulaciones de inyecci n de pl sticos SolidWorks Plastics el dise o de estructura met lica y soldadura biblioteca de dise o y Toolbox PhotoViewer 360 imagen sint tica FeatureWorks SolidWorks Costing sostenibilidad FDMXpress entre otros Al finalizar el curso podr realizar un proyecto para conseguir la certificaci n de realizaci n del curso H gase con este libro y saque provecho de SolidWorks el software CAD CAM CAE que le permitir adem s de modelar piezas ensamblar conjuntos y crear planos validar sus dise os para realizar productos m s seguros y eficientes

PC Magazine ,2001

Applied Science & Technology Index ,1997

InfoWorld ,1986

PCB Design & Layout

For DIY Etching A B Lawal,2021-03-14 In this tutorial you will learn step by step how to use Ultiboard to route and make a single layer Printed Circuit Board layout that you can print out on paper Finally you will learn with demo videos a very inexpensive DIY method for transferring your layout to a Copper Clad board that you can etch and solder manually No heat transfer is involved After reading and completing the simple demo projects in this book you will learn many features of Ultiboard very fast and very effectively without getting overwhelmed You will not need to export any files or send gerbers to a PCB manufacturer fabricator We will be using the National Instruments Ultiboard and Multism PCB Design suite which I found to be the best among several others I have used Any of the versions 12 13 and 14 of this suite works perfectly well There is a link in this book for you to download a hassle free trial version of the suite that you can use for many days to learn and practice many projects of your own Merely having the Ultiboard user manual or referring to its help contents is far from sufficient in becoming a skillful PCB designer Therefore this book is extremely useful for building PCB design skills very fast First it will give you a big head start if you have never designed a PCB layout before Then it will teach you more advanced techniques you need to learn design and build anything from simple to complex PCB layouts using mostly Ultiboard Finally if you have questions or need further help I urge you to use the support link I provided in the last Chapter of this book I will get back to you very quickly

Complete PCB Design Using OrCAD Capture and PCB Editor Kraig Mitzner,Bob

Doe,Alexander Akulin,Anton Suponin,Dirk Müller,2019-06-20 Complete PCB Design Using OrCAD Capture and PCB Editor Second Edition provides practical instruction on how to use the OrCAD design suite to design and manufacture printed circuit boards Chapters cover how to Design a PCB using OrCAD Capture and OrCAD PCB Editor adding PSpice simulation capabilities to a design how to develop custom schematic parts how to create footprints and PSpice models and how to perform documentation simulation and board fabrication from the same schematic design This book is suitable for both beginners and experienced designers providing basic principles and the program s full capabilities for optimizing designs Companion site <https://www.elsevier.com/books-and-journals/book-companion/9780128176849> Presents a fully updated edition on OrCAD Capture Version 17.2 Combines the theoretical and practical parts of PCB design Includes real life design

examples that show how and why designs work providing a comprehensive toolset for understanding OrCAD software
Provides the exact order in which a circuit and PCB are designed Introduces the IPC JEDEC and IEEE standards relating to
PCB design *Printed Circuit Boards* R. S. Khandpur,2005-09-07 The printed circuit is the basic building block of the
electronics hardware industry This is a comprehensive single volume self teaching guide to the art of printed circuit board
design and fabrication covering the complete cycle of PCB creation design layout fabrication assembly and testing

Discover tales of courage and bravery in Crafted by is empowering ebook, Unleash Courage in **Pcb Wizard Tutorial 1** . In a downloadable PDF format (Download in PDF: *), this collection inspires and motivates. Download now to witness the indomitable spirit of those who dared to be brave.

https://py.bijouxmedusa.com/About/Resources/default.aspx/Entrepreneurs_25_2743_TikTok_Marketing_Strategies_America_25_869_TikTok.pdf

Table of Contents Pcb Wizard Tutorial 1

1. Understanding the eBook Pcb Wizard Tutorial 1
 - The Rise of Digital Reading Pcb Wizard Tutorial 1
 - Advantages of eBooks Over Traditional Books
2. Identifying Pcb Wizard Tutorial 1
 - Exploring Different Genres
 - Considering Fiction vs. Non-Fiction
 - Determining Your Reading Goals
3. Choosing the Right eBook Platform
 - Popular eBook Platforms
 - Features to Look for in an Pcb Wizard Tutorial 1
 - User-Friendly Interface
4. Exploring eBook Recommendations from Pcb Wizard Tutorial 1
 - Personalized Recommendations
 - Pcb Wizard Tutorial 1 User Reviews and Ratings
 - Pcb Wizard Tutorial 1 and Bestseller Lists
5. Accessing Pcb Wizard Tutorial 1 Free and Paid eBooks
 - Pcb Wizard Tutorial 1 Public Domain eBooks
 - Pcb Wizard Tutorial 1 eBook Subscription Services
 - Pcb Wizard Tutorial 1 Budget-Friendly Options

6. Navigating Pcb Wizard Tutorial 1 eBook Formats
 - ePub, PDF, MOBI, and More
 - Pcb Wizard Tutorial 1 Compatibility with Devices
 - Pcb Wizard Tutorial 1 Enhanced eBook Features
7. Enhancing Your Reading Experience
 - Adjustable Fonts and Text Sizes of Pcb Wizard Tutorial 1
 - Highlighting and Note-Taking Pcb Wizard Tutorial 1
 - Interactive Elements Pcb Wizard Tutorial 1
8. Staying Engaged with Pcb Wizard Tutorial 1
 - Joining Online Reading Communities
 - Participating in Virtual Book Clubs
 - Following Authors and Publishers Pcb Wizard Tutorial 1
9. Balancing eBooks and Physical Books Pcb Wizard Tutorial 1
 - Benefits of a Digital Library
 - Creating a Diverse Reading Collection Pcb Wizard Tutorial 1
10. Overcoming Reading Challenges
 - Dealing with Digital Eye Strain
 - Minimizing Distractions
 - Managing Screen Time
11. Cultivating a Reading Routine Pcb Wizard Tutorial 1
 - Setting Reading Goals Pcb Wizard Tutorial 1
 - Carving Out Dedicated Reading Time
12. Sourcing Reliable Information of Pcb Wizard Tutorial 1
 - Fact-Checking eBook Content of Pcb Wizard Tutorial 1
 - Distinguishing Credible Sources
13. Promoting Lifelong Learning
 - Utilizing eBooks for Skill Development
 - Exploring Educational eBooks
14. Embracing eBook Trends
 - Integration of Multimedia Elements

- Interactive and Gamified eBooks

Pcb Wizard Tutorial 1 Introduction

In the digital age, access to information has become easier than ever before. The ability to download Pcb Wizard Tutorial 1 has revolutionized the way we consume written content. Whether you are a student looking for course material, an avid reader searching for your next favorite book, or a professional seeking research papers, the option to download Pcb Wizard Tutorial 1 has opened up a world of possibilities. Downloading Pcb Wizard Tutorial 1 provides numerous advantages over physical copies of books and documents. Firstly, it is incredibly convenient. Gone are the days of carrying around heavy textbooks or bulky folders filled with papers. With the click of a button, you can gain immediate access to valuable resources on any device. This convenience allows for efficient studying, researching, and reading on the go. Moreover, the cost-effective nature of downloading Pcb Wizard Tutorial 1 has democratized knowledge. Traditional books and academic journals can be expensive, making it difficult for individuals with limited financial resources to access information. By offering free PDF downloads, publishers and authors are enabling a wider audience to benefit from their work. This inclusivity promotes equal opportunities for learning and personal growth. There are numerous websites and platforms where individuals can download Pcb Wizard Tutorial 1. These websites range from academic databases offering research papers and journals to online libraries with an expansive collection of books from various genres. Many authors and publishers also upload their work to specific websites, granting readers access to their content without any charge. These platforms not only provide access to existing literature but also serve as an excellent platform for undiscovered authors to share their work with the world. However, it is essential to be cautious while downloading Pcb Wizard Tutorial 1. Some websites may offer pirated or illegally obtained copies of copyrighted material. Engaging in such activities not only violates copyright laws but also undermines the efforts of authors, publishers, and researchers. To ensure ethical downloading, it is advisable to utilize reputable websites that prioritize the legal distribution of content. When downloading Pcb Wizard Tutorial 1, users should also consider the potential security risks associated with online platforms. Malicious actors may exploit vulnerabilities in unprotected websites to distribute malware or steal personal information. To protect themselves, individuals should ensure their devices have reliable antivirus software installed and validate the legitimacy of the websites they are downloading from. In conclusion, the ability to download Pcb Wizard Tutorial 1 has transformed the way we access information. With the convenience, cost-effectiveness, and accessibility it offers, free PDF downloads have become a popular choice for students, researchers, and book lovers worldwide. However, it is crucial to engage in ethical downloading practices and prioritize personal security when utilizing online platforms. By doing so, individuals can make the most of the vast array of free PDF resources available and embark on a journey of continuous learning and intellectual growth.

FAQs About Pcb Wizard Tutorial 1 Books

1. Where can I buy Pcb Wizard Tutorial 1 books? Bookstores: Physical bookstores like Barnes & Noble, Waterstones, and independent local stores. Online Retailers: Amazon, Book Depository, and various online bookstores offer a wide range of books in physical and digital formats.
2. What are the different book formats available? Hardcover: Sturdy and durable, usually more expensive. Paperback: Cheaper, lighter, and more portable than hardcovers. E-books: Digital books available for e-readers like Kindle or software like Apple Books, Kindle, and Google Play Books.
3. How do I choose a Pcb Wizard Tutorial 1 book to read? Genres: Consider the genre you enjoy (fiction, non-fiction, mystery, sci-fi, etc.). Recommendations: Ask friends, join book clubs, or explore online reviews and recommendations. Author: If you like a particular author, you might enjoy more of their work.
4. How do I take care of Pcb Wizard Tutorial 1 books? Storage: Keep them away from direct sunlight and in a dry environment. Handling: Avoid folding pages, use bookmarks, and handle them with clean hands. Cleaning: Gently dust the covers and pages occasionally.
5. Can I borrow books without buying them? Public Libraries: Local libraries offer a wide range of books for borrowing. Book Swaps: Community book exchanges or online platforms where people exchange books.
6. How can I track my reading progress or manage my book collection? Book Tracking Apps: Goodreads, LibraryThing, and Book Catalogue are popular apps for tracking your reading progress and managing book collections. Spreadsheets: You can create your own spreadsheet to track books read, ratings, and other details.
7. What are Pcb Wizard Tutorial 1 audiobooks, and where can I find them? Audiobooks: Audio recordings of books, perfect for listening while commuting or multitasking. Platforms: Audible, LibriVox, and Google Play Books offer a wide selection of audiobooks.
8. How do I support authors or the book industry? Buy Books: Purchase books from authors or independent bookstores. Reviews: Leave reviews on platforms like Goodreads or Amazon. Promotion: Share your favorite books on social media or recommend them to friends.
9. Are there book clubs or reading communities I can join? Local Clubs: Check for local book clubs in libraries or community centers. Online Communities: Platforms like Goodreads have virtual book clubs and discussion groups.
10. Can I read Pcb Wizard Tutorial 1 books for free? Public Domain Books: Many classic books are available for free as they're in the public domain. Free E-books: Some websites offer free e-books legally, like Project Gutenberg or Open Library.

Find Pcb Wizard Tutorial 1 :

entrepreneurs 25-2743 TikTok marketing strategies America 25-869 TikTok step by step United States 25-608 blog monetization step by step for stock market review America 25-1641 stock market review USA 25-2868 25-2958 smart home tech case study for entrepreneurs 25-403 smart home creators 25-515 print on demand comparison for small business 25-1323 strategies United States 25-1936 YouTube growth strategies United States resume writing ideas USA 25-2 resume writing ideas USA 25-575 resume 25-2775 smart home tech comparison USA 25-1224 smart home tech United States 25-78 crypto investing case study for creators 25-472 25-2588 small business ideas strategies for startups 25-1019 small marketing roadmap for creators 25-1420 content marketing roadmap for study America 25-2205 productivity hacks case study for entrepreneurs examples for creators 25-2273 productivity hacks examples for blueprint for entrepreneurs 25-1937 dropshipping business case study USA home tech trends for small business 25-130 smart home tech trends for

Pcb Wizard Tutorial 1 :

flag of the croatian republic of herzeg bosnia wikipedia - Oct 23 2022

web herzeg bosnia flag flying in Široki brijeg the flag of the abolished croatian republic of herzeg bosnia 1992 96 consists of three equal size horizontal stripes in the pan slavica colours arranged in croat tricolour red white and blue

slovenie croatie bosnie herzeg graph safehousetech com - Apr 16 2022

web slovenie croatie bosnie herzeg 3 3 switzerland rose to almost 25 in 2000 to become one of the largest foreign communities the largest increase occurs mostly between 1985 and 1998 and represents a unique development in the composition of immigration to switzerland as it coincides

croates de bosnie herzégovine wikipédia - Jul 20 2022

web les croates de bosnie herzégovine sont membres du peuple croate vivant en bosnie herzégovine et comptent plus d un demi million de membres 571 317 et représentent 15 4 de la population totale de bosnie herzégovine

slovenie croatie bosnie herzeg help environment harvard edu - Aug 21 2022

web it is not re the costs its virtually what you obsession currently this slovenie croatie bosnie herzeg as one of the most effective sellers here will totally be in the middle of the best options to review daily report 1996 war crimes in bosnia hercegovina helsinki watch organization u s 1992

[croatian republic of herzeg bosnia wikipedia](#) - Oct 03 2023

web coordinates 43 20 37 n 17 48 27 e the croatian republic of herzeg bosnia croatian hrvatska republika herceg bosna was an unrecognized geopolitical entity and quasi state in bosnia and hercegovina

bosnia and hercegovina croatia relations wikipedia - Mar 28 2023

web bosnia and hercegovina s and croatia s diplomatic relations started with croatia recognizing bosnia and hercegovina on 24 january 1992 which bosnia and hercegovina reciprocated on 7 april the same year and both countries finally signed an agreement of mutual friendship and co operation on 21 july the same year during the series of

[croat bosniak war wikipedia](#) - Apr 28 2023

web the croat bosniak war was a conflict between the republic of bosnia and hercegovina and the republic of herzeg bosnia supported by croatia that lasted from 18 october 1992 to 23 february 1994 4 it is often referred to as a war within a war because it was part of the larger bosnian war

depuis la bosnie herzégovine le passage de la frontière croate - Dec 25 2022

web may 25 2023 une vue générale de l ouverture de la frontière alors que la croatie entre dans l espace schengen sans contrôle de l ue au poste frontière de bregana avec la slovénie voisine le 1er janvier

[slovenie croatie bosnie herzeg download only](#) - May 30 2023

web slovenie croatie bosnie herzeg the international conference on the former yugoslavia may 30 2021 the a to z of bosnia and hercegovina may 18 2020 diversity has always been at the heart of bosnia and hercegovina s character even its dual name and physical geography display a particular heterogeneity the medieval bosnian state never enjoyed

croatie slovénie bosnie et monténégro groupe voyages québec - Nov 23 2022

web c est en arpentant les rues de ses cités et de ses forteresses chargées d histoire et en admirant les eaux turquoise des lacs naturels de plitvice que vous comprendrez pourquoi la croatie est devenue une destination si prisée de zagreb à kotor au monténégro sans oublier la bosnie herzégovine avec une étape à mostar et son célèbre vieux pont

slovenie croatie bosnie herzeg help environment harvard edu - Jun 18 2022

web conflicts in serbia croatia bosnia and hercegovina slovenia and kosovo while they were ongoing it explores state funded national theatre activities between escapism and denial the theatre aesthetics of protest and resistance and symptomatic shifts and transformations in the production of theatre under wartime

relations entre la croatie et la slovénie wikipédia - Sep 21 2022

web les relations entre la croatie et la slovenie sont établies en 1992 peu de temps après leurs indépendances respectives la croatie a une ambassade à ljubljana et deux consulats honoraires à maribor et koper tandis que la slovenie a une ambassade à zagreb et un consulat honoraire à split les deux pays partagent une frontière commune longue de

2020 bosnia and herzegovina croatia relations in the shadow - Feb 24 2023

web the international institute for middle east and balkan studies ifimes 1 from ljubljana slovenia regularly analyzes developments in the middle east the balkans and around the world ifimes has analyzed the relations between bosnia and herzegovina and croatia in the context of local elections in mostar scheduled to take place on 20

[bosnie herzégovine ministère de l europe et des affaires](#) - Mar 16 2022

web publié le 15 10 2023 compte tenu du relèvement sur l ensemble du territoire national de la posture du plan vigipirate au niveau urgence attentat une vigilance renforcée est recommandée à l ensemble de nos ressortissants résidant ou de passage à l étranger sécurité pour votre sécurité inscrivez vous sur vérifiez que vous êtes bien assurés

history of bosnia and herzegovina wikipedia - Jun 30 2023

web history of bosnia and herzegovina early history middle ages ottoman era habsburg era yugoslavia contemporary bosnia and herzegovina portal v t e bosnia and herzegovina is a country in southeast europe on the balkan peninsula it has had permanent settlement since the neolithic age

statistiques de croatie et slovenie stats resultats scores - May 18 2022

web aug 20 2008 vous pouvez trouver des informations plus détaillées telles que les joueurs et les entraîneurs en visitant la page de l équipe de croatie et slovenie téléchargez l appli matchendirect l application de livescore n 1 en france et soyez le premier à découvrir toute l actualité

bosnia and herzegovina wikipedia - Aug 01 2023

web the bronze culture of the illyrians an ethnic group with a distinct culture and art form started to organize itself in today s slovenia croatia bosnia and herzegovina serbia kosovo montenegro and albania from 8th century bce

bosnian war wikipedia - Sep 02 2023

web the bosnian war a serbo croatian rat u bosni i hercegovini Рат у Босни и Херцеговини was an international armed conflict that took place in bosnia and herzegovina between 1992 and 1995 the war is commonly seen as having started on 6 april 1992 following a number of earlier violent incidents

slovenie croatie bosnie herzeg by iain levison secure4 khronos - Feb 12 2022

web may 16 2023 slovenie croatie bosnie herzeg by iain levison mondial jeunes 2016 monaco tir de précision suisse 7 tunisie 7 perou 6 chine 5 slovaquie 4 bulgarie 3 monaco 25 argentine 24 slovenie le championnat européen des nations conférence 1 sud de rugby 2019 2020 est la 12ème édition de cette épreuve la pétition a lieu du 12 octobre 2019 au

timeline of the croat bosniak war wikipedia - Jan 26 2023

web the croat bosniak war was a conflict between the republic of bosnia and herzegovina and the croatian community of herzeg bosnia supported by croatia that lasted from 19 june 1992 23 february 1994 the croat bosniak war is often referred to as a war within a war because it was part of the larger bosnian war

sams teach yourself microsoft excel 2000 in 10 minutes - May 16 2023

web apr 30 1999 this next version of sams teach yourself microsoft excel 2000 is authored by a person in the field familiar about how and what actual users need to know about excel this book has the essential coverage of the

[sams teach yourself microsoft office excel 2003 in 24 hours](#) - Sep 08 2022

web for readers who are new to excel 11 and want to get up and running quickly sams teach yourself microsoft excel 2003 in 24 hours will do the trick this book includes shortcuts and ways

[sams teach yourself microsoft office excel 2003 in 24 hours](#) - Aug 07 2022

web sams teach yourself microsoft office excel 2003 in 24 hours sams teach yourself in 24 hours 2003 isbn 1435276337 ean 1435276337 by reisner t flylib com sams teach yourself microsoft office excel 2003 in 24 hours sams teach yourself in

sams teach yourself microsoft excel 2000 amazon com - Jul 18 2023

web may 3 1999 sams teach yourself microsoft excel 2000 in 24 hours presents the best tools shortcuts and ways to accomplish the most common tasks in excel while avoiding the little used features you may work at your own pace through the book in the one hour lessons on the most widely used features of excel

sams teach yourself windows 8 1 apps with xaml and c in - Feb 01 2022

web learn how to build great windows store apps figures and code appear as they do in visual studio in just 24 sessions of one hour or less sams teach yourself windows 8 1 apps with xaml and c in 24 hours will help you build compelling apps for windows 8 1 devices of all kinds using this book s straightforward approach you ll learn to design and build

sams teach yourself excel 2003 in 24 hours guide books - May 04 2022

web sep 1 2003 whether new to excel 11 or upgrading from an earlier version the reader can use the step by step tutorial lessons to accomplish everyday excel tasks the series is organized into 24 one hour long sessions allowing readers to

sams teach yourself microsoft excel 2000 in 10 minutes - Feb 13 2023

web may 10 1999 sams teach yourself microsoft excel 2000 covers the most common tasks and features used in excel you will save time by completing the 10 minute lessons on the most used features rather than weeding through pages and pages of reference material

[excel video training microsoft support](#) - Mar 02 2022

web a list of excel training from entry level to advanced skills plus templates and other resources

sams teach yourself microsoft excel 2000 paperback - Mar 14 2023

web sams teach yourself microsoft excel 2000 paperback reisner trudi amazon com tr kitap

sams teach yourself microsoft office excel 2003 in 24 hours - Apr 03 2022

web buy sams teach yourself microsoft office excel 2003 in 24 hours 1 by reisner trudi isbn 9780672325519 from amazon s book store everyday low prices and free delivery on eligible orders

sams teach yourself microsoft excel 2000 programming in 24 - Aug 19 2023

web sams teach yourself microsoft excel 2000 programming in 24 hours podlin sharon j free download borrow and streaming internet archive

sams teach yourself microsoft office excel 2003 in 24 hours - Oct 09 2022

web book description for readers who are new to excel 11 and want to get up and running quickly sams teach yourself microsoft excel 2003 in 24 hours will do the trick this book includes shortcuts and ways to accomplish the most common tasks in excel

sams teach yourself microsoft excel in 24 hours goodreads - Dec 11 2022

web may 3 1999 sams teach yourself microsoft excel in 24 hours book read reviews from world s largest community for readers sams teach yourself microsoft excel 2000 i

sams teach yourself microsoft excel 2000 programming in 24 - Jul 06 2022

web sams teach yourself microsoft excel 2000 programming in 24 hours sams teach yourself excel 2000 programming in 24 hours will begin by teaching the reader how to record and edit macros

sams teach yourself excel 2000 programming in 24 hours - Apr 15 2023

web aug 9 1999 sams teach yourself excel 2000 programming in 24 hours begins by teaching you how to record and edit macros and then focuses on creating small but powerful functions and subroutines coverage of modular programming and the creation of libraries and add ins make this book a must have for any excel power user or developer

sams teach yourself microsoft excel in 24 hours informit - Nov 10 2022

web sams teach yourself microsoft excel 2000 in 24 hours presents the best tools shortcuts and ways to accomplish the most common tasks in excel while avoiding the little used features you may work at your own pace through the book in the one hour lessons on the most widely used features of excel

sams teach yourself microsoft excel 2000 sams teach - Jan 12 2023

web may 3 1999 sams teach yourself microsoft excel 2000 in 24 hours presents the best tools shortcuts and ways to accomplish the most common tasks in excel while avoiding the little used features you may work at your own pace through the book in the one hour lessons on the most widely used features of excel

[sams teach yourself microsoft office excel 2003 in 24 hours](#) - Sep 20 2023

web sams teach yourself microsoft office excel 2003 in 24 hours reisner trudi amazon com tr kitap

sams teach yourself microsoft excel 2000 in 10 minutes - Jun 17 2023

web sams teach yourself microsoft excel 2000 in 10 minutes fulton jennifer amazon com tr kitap

[sams teach yourself microsoft excel 2000 programming in 21](#) - Jun 05 2022

web may 11 2022 sams teach yourself microsoft excel 2000 programming in 21 days item preview remove circle share or embed this item share to twitter share to facebook share to reddit share to tumblr share to pinterest share via email

ns 3472 2001 norwegian language pdf scribd - Aug 15 2023

web ns 3472 3 utgave september 2001 descriptors steel structures design rules prosjektering av stlkonstruksjoner beregnings og konstruksjonsregler steel structures

results standard no - Mar 10 2023

web view results in standard number 0 the standards content 27 include withdrawn standards now showing results in the standards content for ns 3472 viewing results

[d12 a norwegian codes steel design per ns 3472 npd](#) - Feb 09 2023

web norwegian codes steel design per ns 3472 npd d12 a 3 design parameters d12 a 4 stability check according to ns 3472 d12 a 5 stability check according to npd

norwegian codes steel design per ns 3472 npd bentley - Dec 07 2022

web norwegian codes steel design per ns 3472 npd it is possible to select heat treated or non heat treated alloy from the parameter list in the staad pro input file for heat

ns 3472 steel structures design rules norwegian standard - Oct 25 2021

web ns 3472 historical revision information steel structures design rules norwegian standard english translation

ns 3472 steel structures design rules norwegian standard - Nov 25 2021

web ns 3472 historical revision information steel structures design rules norwegian standard english translation ns 3472 2nd edition superseded show

ns 3472 2001 steel structures design rules sai - May 12 2023

web jan 12 2013 steel structures design rules available format s superseded date 04 14 2010 language s published date 01 12 2013 publisher norwegian

regulations of 17 january 1978 no 4 on cargo handling sdir - Mar 30 2022

web recognised standards ns norwegian standard ns en norwegian standard european norm ns steel structures shall be calculated in accordance with ns

steel code ns 3472 2001 norway robot structural analysis - Feb 26 2022

web steel code ns 3472 2001 norway products and versions covered by help jan 11 2015 in product view share add to collection this section contains information on

sn ns 3472 e steel structures design rules globalspec - Jul 02 2022

web published by norsok on july 1 2016 this norsok standard covers the basis for layout design and structural analysis of process drilling utility and instrument piping and tubing

ngc 7472 wikipedi - Dec 27 2021

web ngc 7472 ngc 7472 yeni genel katalog da yer alan bir tekrarlanmış ngc cisimidir gökyüzünde balıklar takımıydızı yönünde bulunur e3 tipi bir eliptik galaksidir

ns 3472 2001 steel structures design rules sai - Sep 23 2021

web dec 1 2013 buy ns 3472 2001 steel structures design rules from sai global skip to content show main menu navigation below close main menu

ns 3472 steel structures design rules norwegian standard - Jun 13 2023

web ns 3472 complete document history steel structures design rules norwegian standard english translation standards we provide updating reporting audits

ns 3472 2001 standard - Jul 14 2023

web ns 3472 2001 preview nok 1 615 00 excl vat monitor standard webprint printed and bound get online access status standards norway 47 67 83 86 00

development of fatigue design standards for marine structures - Aug 03 2022

web nov 13 2018 during a revision of the norwegian standard ns 3472 in 1998 at the same time as the norsok n 004 was developed it was decided to base the new nor

standard - Sep 04 2022

web standard

ns 3472e 84 amd 1 85 steel structures design - Apr 30 2022

web jan 12 2013 ns 3472e 84 amd 1 85 superseded add to watchlist

steel code ns 3472 2001 norway autodesk knowledge network - Jan 08 2023

web steel code ns 3472 2001 norway this section contains information on parameters and calculations according to the ns 3472 2001 code topics in this section member

ns 3472 2001 standard no - Oct 05 2022

web ns 3472 1984 tilbaketrasket erstattes av ns en 1993 1 1 2005 na 2008 tilbaketrasket ns en 1993 1 10

personvernerklæring for standard norge og standard online

startpage standard no - Jan 28 2022

web mar 9 2023 new norwegian standard in english hollow core slabs for reuse 09 march 2023 standards norway recently published the standard ns 3682 hollow core

norwegian codes steel design per ns 3472 npd - Jun 01 2022

web norwegian codes steel design per ns 3472 npd d12 a 3 design parameters d12 a 4 stability check according to ns 3472 d12 a 5 stability check according to npd

ns 3472 e standard - Apr 11 2023

web nye standard no kurs subscriptions webshop start webshop product catalog product presentation ns 3472 e preview nok 1 903 00 excl vat x monitoring standards

steel code ns 3472 2001 norway autodesk knowledge network - Nov 06 2022

web this section contains information on parameters and calculations according to the ns 3472 2001 code steel code ns 3472 2001 norway robot structural analysis