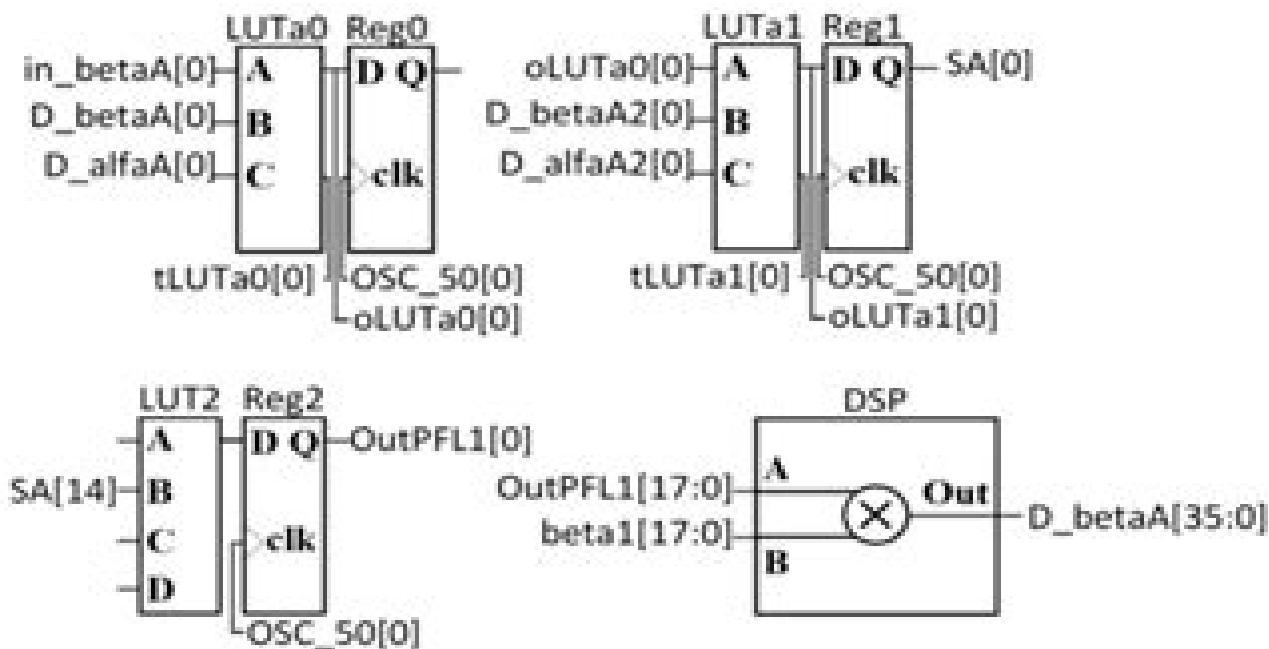


(a)



(b)

```

always@(posedge OSC_50[0])
  OlnPp={
    OlnP[11],OlnP[11],OlnP[11],OlnP[11],OlnP[11],
    OlnP[11],OlnP[11],OlnP[11],OlnP[11],OlnP[11],
    OlnP[11],OlnP[11],OlnP[11],OlnP[11],OlnP[11,0],
    OlnP[0],OlnP[0]};
  in_beta0A = OlnPp*beta0;
end
always@(posedge OSC_50[0])
begin
  D_betaA <= OlnPL1*beta1;
  D_alfaA <= OlnPFL1*alfa1;
  D_betaA2 <= OlnPL2*beta2;
  D_alfaA2 <= OlnPFL2*alfa2;
end

```

(c)

```

always@(negedge OSC_50[0])//
begin
  SA = in_beta0A + D_betaA + D_alfaA
  - D_alfaA2 + D_betaA2;
  OlnPF = SA[27:14];
  OlnPFL2=OlnPFL1;
  OlnPFL1={
    SA[27],
    SA[27],SA[27],SA[27],SA[27],SA[27],
    SA[27],SA[27],SA[27],SA[27],SA[27],
    SA[27],SA[27],SA[27],SA[27],SA[27,14]};
  OlnPL2=OlnPL1;
  OlnPL1=OlnPp;
end

```

Iir Filter Verilog Code Sdocuments2

Mark Steyvers



Iir Filter Verilog Code Sdocuments2:

Immerse yourself in heartwarming tales of love and emotion with Crafted by is touching creation, Experience Loveis Journey in **Iir Filter Verilog Code Sdocuments2** . This emotionally charged ebook, available for download in a PDF format (Download in PDF: *), is a celebration of love in all its forms. Download now and let the warmth of these stories envelop your heart.

https://py.bijouxmedusa.com/results/virtual-library/HomePages/Dynamics_Of_Faith.pdf

Table of Contents Iir Filter Verilog Code Sdocuments2

1. Understanding the eBook Iir Filter Verilog Code Sdocuments2
 - The Rise of Digital Reading Iir Filter Verilog Code Sdocuments2
 - Advantages of eBooks Over Traditional Books
2. Identifying Iir Filter Verilog Code Sdocuments2
 - Exploring Different Genres
 - Considering Fiction vs. Non-Fiction
 - Determining Your Reading Goals
3. Choosing the Right eBook Platform
 - Popular eBook Platforms
 - Features to Look for in an Iir Filter Verilog Code Sdocuments2
 - User-Friendly Interface
4. Exploring eBook Recommendations from Iir Filter Verilog Code Sdocuments2
 - Personalized Recommendations
 - Iir Filter Verilog Code Sdocuments2 User Reviews and Ratings
 - Iir Filter Verilog Code Sdocuments2 and Bestseller Lists
5. Accessing Iir Filter Verilog Code Sdocuments2 Free and Paid eBooks
 - Iir Filter Verilog Code Sdocuments2 Public Domain eBooks
 - Iir Filter Verilog Code Sdocuments2 eBook Subscription Services
 - Iir Filter Verilog Code Sdocuments2 Budget-Friendly Options

-
6. Navigating Iir Filter Verilog Code Sdocuments2 eBook Formats
 - ePub, PDF, MOBI, and More
 - Iir Filter Verilog Code Sdocuments2 Compatibility with Devices
 - Iir Filter Verilog Code Sdocuments2 Enhanced eBook Features
 7. Enhancing Your Reading Experience
 - Adjustable Fonts and Text Sizes of Iir Filter Verilog Code Sdocuments2
 - Highlighting and Note-Taking Iir Filter Verilog Code Sdocuments2
 - Interactive Elements Iir Filter Verilog Code Sdocuments2
 8. Staying Engaged with Iir Filter Verilog Code Sdocuments2
 - Joining Online Reading Communities
 - Participating in Virtual Book Clubs
 - Following Authors and Publishers Iir Filter Verilog Code Sdocuments2
 9. Balancing eBooks and Physical Books Iir Filter Verilog Code Sdocuments2
 - Benefits of a Digital Library
 - Creating a Diverse Reading Collection Iir Filter Verilog Code Sdocuments2
 10. Overcoming Reading Challenges
 - Dealing with Digital Eye Strain
 - Minimizing Distractions
 - Managing Screen Time
 11. Cultivating a Reading Routine Iir Filter Verilog Code Sdocuments2
 - Setting Reading Goals Iir Filter Verilog Code Sdocuments2
 - Carving Out Dedicated Reading Time
 12. Sourcing Reliable Information of Iir Filter Verilog Code Sdocuments2
 - Fact-Checking eBook Content of Iir Filter Verilog Code Sdocuments2
 - Distinguishing Credible Sources
 13. Promoting Lifelong Learning
 - Utilizing eBooks for Skill Development
 - Exploring Educational eBooks
 14. Embracing eBook Trends
 - Integration of Multimedia Elements

-
- Interactive and Gamified eBooks

Iir Filter Verilog Code Sdocuments2 Introduction

Free PDF Books and Manuals for Download: Unlocking Knowledge at Your Fingertips In today's fast-paced digital age, obtaining valuable knowledge has become easier than ever. Thanks to the internet, a vast array of books and manuals are now available for free download in PDF format. Whether you are a student, professional, or simply an avid reader, this treasure trove of downloadable resources offers a wealth of information, conveniently accessible anytime, anywhere. The advent of online libraries and platforms dedicated to sharing knowledge has revolutionized the way we consume information. No longer confined to physical libraries or bookstores, readers can now access an extensive collection of digital books and manuals with just a few clicks. These resources, available in PDF, Microsoft Word, and PowerPoint formats, cater to a wide range of interests, including literature, technology, science, history, and much more. One notable platform where you can explore and download free Iir Filter Verilog Code Sdocuments2 PDF books and manuals is the internet's largest free library. Hosted online, this catalog compiles a vast assortment of documents, making it a veritable goldmine of knowledge. With its easy-to-use website interface and customizable PDF generator, this platform offers a user-friendly experience, allowing individuals to effortlessly navigate and access the information they seek. The availability of free PDF books and manuals on this platform demonstrates its commitment to democratizing education and empowering individuals with the tools needed to succeed in their chosen fields. It allows anyone, regardless of their background or financial limitations, to expand their horizons and gain insights from experts in various disciplines. One of the most significant advantages of downloading PDF books and manuals lies in their portability. Unlike physical copies, digital books can be stored and carried on a single device, such as a tablet or smartphone, saving valuable space and weight. This convenience makes it possible for readers to have their entire library at their fingertips, whether they are commuting, traveling, or simply enjoying a lazy afternoon at home. Additionally, digital files are easily searchable, enabling readers to locate specific information within seconds. With a few keystrokes, users can search for keywords, topics, or phrases, making research and finding relevant information a breeze. This efficiency saves time and effort, streamlining the learning process and allowing individuals to focus on extracting the information they need. Furthermore, the availability of free PDF books and manuals fosters a culture of continuous learning. By removing financial barriers, more people can access educational resources and pursue lifelong learning, contributing to personal growth and professional development. This democratization of knowledge promotes intellectual curiosity and empowers individuals to become lifelong learners, promoting progress and innovation in various fields. It is worth noting that while accessing free Iir Filter Verilog Code Sdocuments2 PDF books and manuals is convenient and cost-effective, it is vital to respect copyright laws and intellectual property rights. Platforms offering free downloads often operate within legal

boundaries, ensuring that the materials they provide are either in the public domain or authorized for distribution. By adhering to copyright laws, users can enjoy the benefits of free access to knowledge while supporting the authors and publishers who make these resources available. In conclusion, the availability of Iir Filter Verilog Code Sdocuments2 free PDF books and manuals for download has revolutionized the way we access and consume knowledge. With just a few clicks, individuals can explore a vast collection of resources across different disciplines, all free of charge. This accessibility empowers individuals to become lifelong learners, contributing to personal growth, professional development, and the advancement of society as a whole. So why not unlock a world of knowledge today? Start exploring the vast sea of free PDF books and manuals waiting to be discovered right at your fingertips.

FAQs About Iir Filter Verilog Code Sdocuments2 Books

What is a Iir Filter Verilog Code Sdocuments2 PDF? A PDF (Portable Document Format) is a file format developed by Adobe that preserves the layout and formatting of a document, regardless of the software, hardware, or operating system used to view or print it. **How do I create a Iir Filter Verilog Code Sdocuments2 PDF?** There are several ways to create a PDF: Use software like Adobe Acrobat, Microsoft Word, or Google Docs, which often have built-in PDF creation tools. Print to PDF: Many applications and operating systems have a "Print to PDF" option that allows you to save a document as a PDF file instead of printing it on paper. Online converters: There are various online tools that can convert different file types to PDF. **How do I edit a Iir Filter Verilog Code Sdocuments2 PDF?** Editing a PDF can be done with software like Adobe Acrobat, which allows direct editing of text, images, and other elements within the PDF. Some free tools, like PDFescape or Smallpdf, also offer basic editing capabilities. **How do I convert a Iir Filter Verilog Code Sdocuments2 PDF to another file format?** There are multiple ways to convert a PDF to another format: Use online converters like Smallpdf, Zamzar, or Adobe Acrobats export feature to convert PDFs to formats like Word, Excel, JPEG, etc. Software like Adobe Acrobat, Microsoft Word, or other PDF editors may have options to export or save PDFs in different formats. **How do I password-protect a Iir Filter Verilog Code Sdocuments2 PDF?** Most PDF editing software allows you to add password protection. In Adobe Acrobat, for instance, you can go to "File" -> "Properties" -> "Security" to set a password to restrict access or editing capabilities. Are there any free alternatives to Adobe Acrobat for working with PDFs? Yes, there are many free alternatives for working with PDFs, such as: LibreOffice: Offers PDF editing features. PDFsam: Allows splitting, merging, and editing PDFs. Foxit Reader: Provides basic PDF viewing and editing capabilities. How do I compress a PDF file? You can use online tools like Smallpdf, ILovePDF, or desktop software like Adobe Acrobat to compress PDF files without significant quality loss. Compression reduces the file size, making it easier to share and download. Can I fill out forms in a PDF file? Yes, most PDF

viewers/editors like Adobe Acrobat, Preview (on Mac), or various online tools allow you to fill out forms in PDF files by selecting text fields and entering information. Are there any restrictions when working with PDFs? Some PDFs might have restrictions set by their creator, such as password protection, editing restrictions, or print restrictions. Breaking these restrictions might require specific software or tools, which may or may not be legal depending on the circumstances and local laws.

Find Iir Filter Verilog Code Sdocuments2 :

[dynamics of faith](#)

dont cry for me argentina from the opera musical evita piano solo sheet music music by andrew lloyd webber

[doctor who summer falls and other stories by melody malone](#)

dk eyewitness travel guide paris rar

[dmitri kabalevsky 24 pieces for children op 39 piano solo schirmers library of musical classics](#)

[e mail website http mut](#)

dividing the spoils war for alexander greats empire robin ah waterfield

drawing landscapes with pencil and ink

dodge spirit 1989 1995 workshop service repair manual

ds 2df6223 cx w 2mp explosion proof network speed dome

doug batchelor pacific press publishing association

[draping for apparel design 3rd edition](#)

dunning kruger effect wikipedia

downloand bokep jepang mertua perkosa menantu

download lippincotts illustrated qanda review of neuroscience pdf

Iir Filter Verilog Code Sdocuments2 :

Undivided Rights: Women of Color Organize for ... Oct 1, 2004 — This book utilizes a series of organizational case studies to document how women of color have led the fight to control their own bodies and ... Undivided Rights: Women of Color... by Silliman, Jael Undivided Rights captures the evolving and largely unknown activist history of women of color organizing for reproductive justice—on their own behalf. Undivided Rights Undivided Rights captures the evolving and largely unknown activist history of women of color organizing for reproductive justice—on their own behalf. Undivided Rights: Women of Color

Organizing for ... Undivided Rights presents a fresh and textured understanding of the reproductive rights movement by placing the experiences, priorities, and activism of women ... Undivided Rights: Women of Color Organize for ... Undivided Rights articulates a holistic vision for reproductive freedom. It refuses to allow our human rights to be divvied up and parceled out into isolated ... Undivided rights : women of color organize for reproductive ... Undivided rights : women of color organize for reproductive justice / Jael Silliman, Marlene Gerber ... Fried, Loretta Ross, Elena R. Gutiérrez. Read More.

Women of Color Organizing for Reproductive Justice ... Undivided Rights captures the evolving and largely unknown activist history of women of color organizing for reproductive justice. Women of Color Organize for Reproductive Justice It includes excerpts from 'Undivided Rights: Women of Color Organize for Reproductive Justice' and examines how, starting within their communities, ... Women of Color Organize for Reproductive Justice Undivided Rights presents a textured understanding of the reproductive rights movement by placing the experiences, priorities, and activism of women of color in ... Undivided Rights: Women of Color Organize for ... Undivided Rights articulates a holistic vision for reproductive freedom. It refuses to allow our human rights to be divvied up and parceled out into isolated ... Strategic Planning For Success: Aligning People ... - Wiley Strategic Planning For Success: Aligning People ... - Wiley Strategic Planning For Success: Aligning... by Roger ... Useful, pragmatic, and proven tools and concepts, including needs assessment, needs analysis, and costs-consequences analysis. Strategic Planning for Success ... Strategic Planning For Success: Aligning People ... Strategic Planning for Success will show you how to define, deliver, develop, and promote genuine performance improvement within your organization. -- This text ... Strategic planning for success; aligning people TITLE: Strategic planning for success; aligning people, performance, and payoffs. AUTHOR: Kaufman, Roger et al. PUBLISHER: Jossey-Bass ... Strategic Planning for Success Welcome to Strategic Planning for Success: Aligning People, Performance, and Payoffs. This is a practical and pragmatic book with cases-in-point, guides, job. Strategic Planning For Success: Aligning People, ... Strategic Planning for Success offers you a pragmatic guide to the design and development of practical and pragmatic strategic thinking and organizational ... Strategic Planning For Success: Aligning People, Performance ... Strategic Planning for Success offers you a pragmatic guide to the design and development of practical and pragmatic strategic thinking and organizational ... Book Review: Strategic Planning for Success: Aligning ... Roger Kaufman, Hugh Oakley-Browne, Ryan Watkins, and Doug Leigh As I read this book, my first reaction was, although it covered a lot of territory with ... Strategic planning for success - Vanderbilt Libraries Catalog Strategic planning for success : aligning people, performance, and payoffs / Roger Kaufman Strategic planning for success : aligning people, performance ... Strategic Planning for Success: Aligning People ... Mar 6, 2003 — Strategic Planning for Success offers you a pragmatic guide to the design and development of practical and pragmatic strategic thinking and ... Associate Governmental Program Analyst Examination Read all of the information on each page carefully. Application materials for the Associate Governmental Program Analyst examination are accepted ONLY

on the ... AGPA Exam? What's it like? : r/CASStateWorkers The agpa exam is essentially a self certification of various skills and experience. Nothing to study for, all multiple choice and directly ... AGPA Exam Bulletin Exam Posting. Logo of State of California ASSOCIATE GOVERNMENTAL PROGRAM ANALYST ... This is a Supplemental Application exam weighted - 100 percent. In order to ... Are there any good preparation books or study resources ... Jul 3, 2018 — The Staff Services Analyst and Associate Governmental Programs Analyst tests are online tests which ask you a multitude of questions ... Associate Governmental Program Analyst ... Hundreds of questions & answers in areas likely to be covered on your upcoming exam. Each book is 8 1/2" x 11" in paperback (plastic bound) and lies flat for ... Associate Governmental Program Analyst (C-4144) The Associate Governmental Program Analyst Passbook® prepares you for your test by allowing you to take practice exams in the subjects you need to study. Associate Governmental Program Analyst (C-4144) The Associate Governmental Program Analyst Passbook® prepares you for your test by allowing you to take practice exams in the subjects you need to study. Associate Governmental Program Analyst (C-4144) The Associate Governmental Program Analyst Passbook® prepares you for your test by allowing you to take practice exams in the subjects you need to study. Associate Governmental Program Analyst : Passbooks ... The Associate Governmental Program Analyst Passbook(R) prepares you for your test by allowing you to take practice exams in the subjects you need to study. How to Get State of California AGPA Jobs This article outlines the necessary steps to get an Associated Governmental Program Analyst (AGPA) position with the State of California.