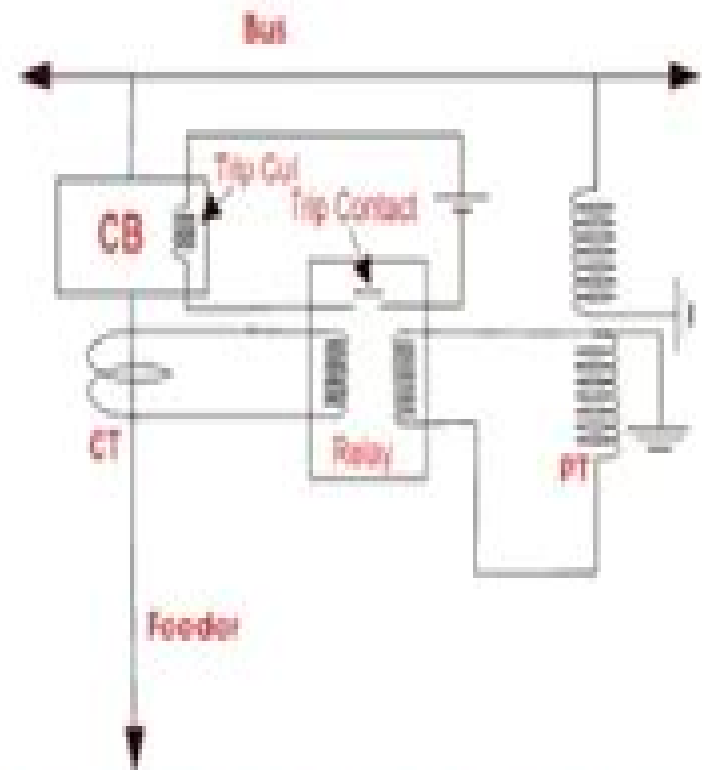
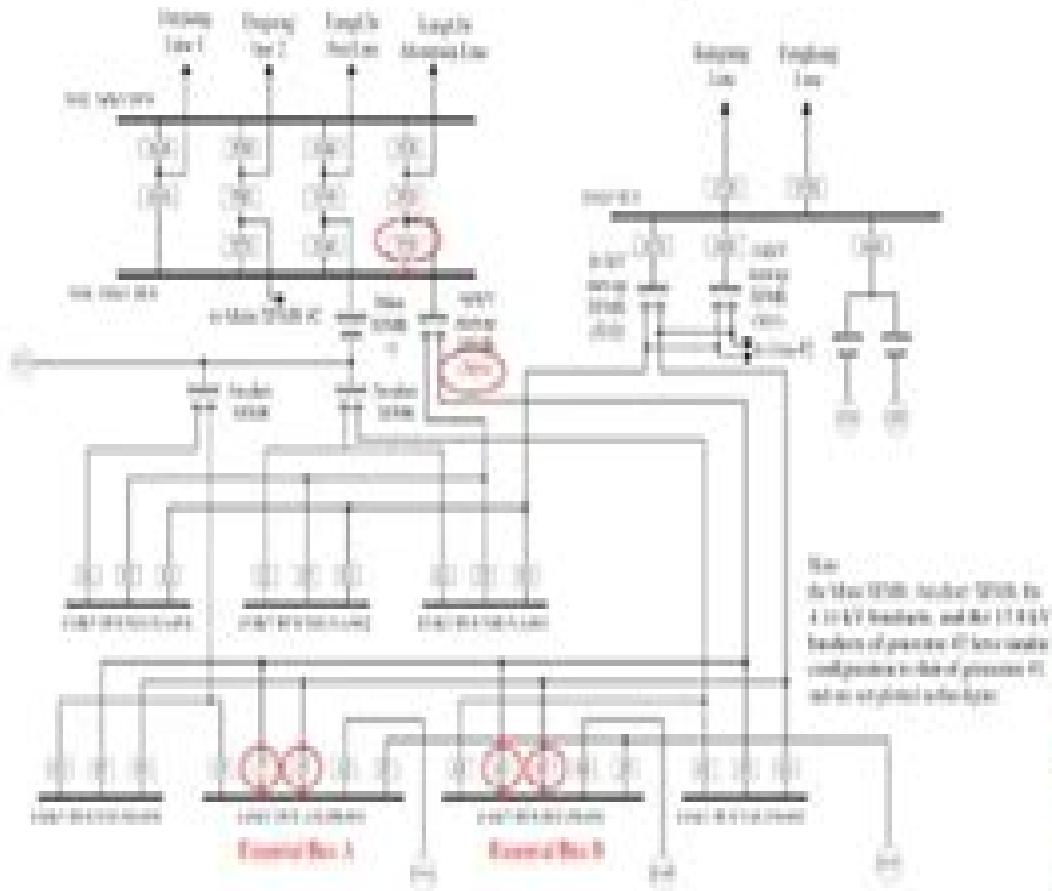


Power System Protection Systems



Basic connection diagram of protection relay



Electrical 4 U

Power Systems Protection Engineering Training Idc

S Ashworth



Power Systems Protection Engineering Training Idc:

Yeah, reviewing a books **Power Systems Protection Engineering Training Idc** could be credited with your near connections listings. This is just one of the solutions for you to be successful. As understood, triumph does not recommend that you have extraordinary points.

Comprehending as skillfully as bargain even more than further will meet the expense of each success. next to, the message as capably as sharpness of this Power Systems Protection Engineering Training Idc can be taken as well as picked to act.

<https://py.bijouxmedusa.com/public/Resources/index.jsp/Kotler%20On%20Marketing%20How%20To%20Create%20Win%20And%20Dominate%20Markets.pdf>

Table of Contents Power Systems Protection Engineering Training Idc

1. Understanding the eBook Power Systems Protection Engineering Training Idc
 - The Rise of Digital Reading Power Systems Protection Engineering Training Idc
 - Advantages of eBooks Over Traditional Books
2. Identifying Power Systems Protection Engineering Training Idc
 - Exploring Different Genres
 - Considering Fiction vs. Non-Fiction
 - Determining Your Reading Goals
3. Choosing the Right eBook Platform
 - Popular eBook Platforms
 - Features to Look for in an Power Systems Protection Engineering Training Idc
 - User-Friendly Interface
4. Exploring eBook Recommendations from Power Systems Protection Engineering Training Idc
 - Personalized Recommendations
 - Power Systems Protection Engineering Training Idc User Reviews and Ratings
 - Power Systems Protection Engineering Training Idc and Bestseller Lists
5. Accessing Power Systems Protection Engineering Training Idc Free and Paid eBooks

- Power Systems Protection Engineering Training Idc Public Domain eBooks
 - Power Systems Protection Engineering Training Idc eBook Subscription Services
 - Power Systems Protection Engineering Training Idc Budget-Friendly Options
6. Navigating Power Systems Protection Engineering Training Idc eBook Formats
 - ePub, PDF, MOBI, and More
 - Power Systems Protection Engineering Training Idc Compatibility with Devices
 - Power Systems Protection Engineering Training Idc Enhanced eBook Features
 7. Enhancing Your Reading Experience
 - Adjustable Fonts and Text Sizes of Power Systems Protection Engineering Training Idc
 - Highlighting and Note-Taking Power Systems Protection Engineering Training Idc
 - Interactive Elements Power Systems Protection Engineering Training Idc
 8. Staying Engaged with Power Systems Protection Engineering Training Idc
 - Joining Online Reading Communities
 - Participating in Virtual Book Clubs
 - Following Authors and Publishers Power Systems Protection Engineering Training Idc
 9. Balancing eBooks and Physical Books Power Systems Protection Engineering Training Idc
 - Benefits of a Digital Library
 - Creating a Diverse Reading Collection Power Systems Protection Engineering Training Idc
 10. Overcoming Reading Challenges
 - Dealing with Digital Eye Strain
 - Minimizing Distractions
 - Managing Screen Time
 11. Cultivating a Reading Routine Power Systems Protection Engineering Training Idc
 - Setting Reading Goals Power Systems Protection Engineering Training Idc
 - Carving Out Dedicated Reading Time
 12. Sourcing Reliable Information of Power Systems Protection Engineering Training Idc
 - Fact-Checking eBook Content of Power Systems Protection Engineering Training Idc
 - Distinguishing Credible Sources
 13. Promoting Lifelong Learning
 - Utilizing eBooks for Skill Development

- Exploring Educational eBooks
14. Embracing eBook Trends
- Integration of Multimedia Elements
 - Interactive and Gamified eBooks

Power Systems Protection Engineering Training Idc Introduction

Power Systems Protection Engineering Training Idc Offers over 60,000 free eBooks, including many classics that are in the public domain. Open Library: Provides access to over 1 million free eBooks, including classic literature and contemporary works. Power Systems Protection Engineering Training Idc Offers a vast collection of books, some of which are available for free as PDF downloads, particularly older books in the public domain. Power Systems Protection Engineering Training Idc : This website hosts a vast collection of scientific articles, books, and textbooks. While it operates in a legal gray area due to copyright issues, its a popular resource for finding various publications. Internet Archive for Power Systems Protection Engineering Training Idc : Has an extensive collection of digital content, including books, articles, videos, and more. It has a massive library of free downloadable books. Free-eBooks Power Systems Protection Engineering Training Idc Offers a diverse range of free eBooks across various genres. Power Systems Protection Engineering Training Idc Focuses mainly on educational books, textbooks, and business books. It offers free PDF downloads for educational purposes. Power Systems Protection Engineering Training Idc Provides a large selection of free eBooks in different genres, which are available for download in various formats, including PDF. Finding specific Power Systems Protection Engineering Training Idc, especially related to Power Systems Protection Engineering Training Idc, might be challenging as theyre often artistic creations rather than practical blueprints. However, you can explore the following steps to search for or create your own Online Searches: Look for websites, forums, or blogs dedicated to Power Systems Protection Engineering Training Idc, Sometimes enthusiasts share their designs or concepts in PDF format. Books and Magazines Some Power Systems Protection Engineering Training Idc books or magazines might include. Look for these in online stores or libraries. Remember that while Power Systems Protection Engineering Training Idc, sharing copyrighted material without permission is not legal. Always ensure youre either creating your own or obtaining them from legitimate sources that allow sharing and downloading. Library Check if your local library offers eBook lending services. Many libraries have digital catalogs where you can borrow Power Systems Protection Engineering Training Idc eBooks for free, including popular titles. Online Retailers: Websites like Amazon, Google Books, or Apple Books often sell eBooks. Sometimes, authors or publishers offer promotions or free periods for certain books. Authors Website Occasionally, authors provide excerpts or short stories for free on their websites. While this might not be the Power Systems Protection Engineering Training Idc full book , it can give you a taste of the authors writing

style. Subscription Services Platforms like Kindle Unlimited or Scribd offer subscription-based access to a wide range of Power Systems Protection Engineering Training Idc eBooks, including some popular titles.

FAQs About Power Systems Protection Engineering Training Idc Books

What is a Power Systems Protection Engineering Training Idc PDF? A PDF (Portable Document Format) is a file format developed by Adobe that preserves the layout and formatting of a document, regardless of the software, hardware, or operating system used to view or print it. **How do I create a Power Systems Protection Engineering Training Idc PDF?** There are several ways to create a PDF: Use software like Adobe Acrobat, Microsoft Word, or Google Docs, which often have built-in PDF creation tools. Print to PDF: Many applications and operating systems have a "Print to PDF" option that allows you to save a document as a PDF file instead of printing it on paper. Online converters: There are various online tools that can convert different file types to PDF. **How do I edit a Power Systems Protection Engineering Training Idc PDF?** Editing a PDF can be done with software like Adobe Acrobat, which allows direct editing of text, images, and other elements within the PDF. Some free tools, like PDFescape or Smallpdf, also offer basic editing capabilities. **How do I convert a Power Systems Protection Engineering Training Idc PDF to another file format?** There are multiple ways to convert a PDF to another format: Use online converters like Smallpdf, Zamzar, or Adobe Acrobat's export feature to convert PDFs to formats like Word, Excel, JPEG, etc. Software like Adobe Acrobat, Microsoft Word, or other PDF editors may have options to export or save PDFs in different formats. **How do I password-protect a Power Systems Protection Engineering Training Idc PDF?** Most PDF editing software allows you to add password protection. In Adobe Acrobat, for instance, you can go to "File" -> "Properties" -> "Security" to set a password to restrict access or editing capabilities. Are there any free alternatives to Adobe Acrobat for working with PDFs? Yes, there are many free alternatives for working with PDFs, such as: LibreOffice: Offers PDF editing features. PDFsam: Allows splitting, merging, and editing PDFs. Foxit Reader: Provides basic PDF viewing and editing capabilities. How do I compress a PDF file? You can use online tools like Smallpdf, ILovePDF, or desktop software like Adobe Acrobat to compress PDF files without significant quality loss. Compression reduces the file size, making it easier to share and download. Can I fill out forms in a PDF file? Yes, most PDF viewers/editors like Adobe Acrobat, Preview (on Mac), or various online tools allow you to fill out forms in PDF files by selecting text fields and entering information. Are there any restrictions when working with PDFs? Some PDFs might have restrictions set by their creator, such as password protection, editing restrictions, or print restrictions. Breaking these restrictions might require specific software or tools, which may or may not be legal depending on the circumstances and local laws.

known psychoactive plants • Examines 414 psychoactive plants and ... Encyclopedia of Psychoactive Plants - Berkeley Encyclopedia of Psychoactive Plants. Encyclopedia of Psychoactive Plants. Product Image. Product Description. Ratsch. Growing Standard: Lhasa Karnak. In stock ... The Encyclopedia of Psychoactive Plants This book details the history, botany, and use of psychoactive plants and is lavishly illustrated with color photographs of the people, ceremonies, and art ... The Encyclopedia of Psychoactive Plants ... The most comprehensive guide to the botany, history, distribution, and cultivation of all known psychoactive plants · Examines 414 psychoactive plants and ... Chapter 5, Section 1 - Rome and the Rise of Christianity Chapter 5, Section 1 - Rome and the Rise of Christianity - Guided Reading Activity Flashcards | Quizlet. Guided Reading 5-1 and 5-2 Flashcards | Quizlet Study with Quizlet and memorize flashcards containing terms like list the four reasons that the location of the city of Rome was especially favorable, ... The Romans Guided Reading Activity. The Romans. Lesson 1 The Rise of Rome networks. Review Questions. Directions: Read each main idea. Use your textbook to supply the ... Guided Reading Activity: The Rise of Rome Review Questions. Directions: Read each main idea. Use your textbook to supply the details that support or explain each main idea. Class - inetTeacher Rome: Republic to Empire: Guided Reading Lesson 1 The Founding of Rome. ROME ... 5. Summarizing What legal tools did the Roman Republic use to uphold the rule ... The Byzantine Empire and Emerging Europe Guided Reading Activity Cont. The Byzantine Empire and Emerging Europe ... Lesson 5 The Byzantine Empire. Review Questions networks. Directions: Read each main ... The rise of rome | TPT This PowerPoint details the beginnings of the Christian religion and its main beliefs, as well as Rome 's role at the time of its ... Ancient Rome packet Answer Key.pdf BEFORE YOU READ. In this lesson, you will learn how geography influenced the development of the Roman civilization. AS YOU READ. Use a web diagram like the one ... Ch. 11-2 Rome As A Republic Guided Reading | PDF - Scribd Lesson 2 Rome as a Republic. ESSENTIAL QUESTION How do governments change? Governing Rome. Comparing As you read, fill in these web diagrams with facts. In His Hands: Towards a Theology of Healing Buy In His Hands: Towards a Theology of Healing by Dale, David (ISBN: 9780232518511) from Amazon's Book Store. Everyday low prices and free delivery on ... Ebook free In his hands towards a theology of healing (Read ... Sep 19, 2023 — Right here, we have countless books in his hands towards a theology of healing and collections to check out. We additionally find the money ... Toward a Theology of Healing by JN Studer · 1982 · Cited by 8 — ABSTRACT: A sense of magic has always permeated our theology of healing. Consider the following theses: 1. By the very nature of material creation, ... 2023-02-04 1/2 in his hands towards a theology of healing Feb 4, 2023 — Just exercise just what we offer under as competently as evaluation in his hands towards a theology of healing what you afterward to read! “A HEALTHY THEOLOGY OF HEALING” This paper will therefore examine each of the four main Christian answers to the question of how much the Kingdom of God has already come in Jesus Christ, and ... A Theology of Healing (Stephen Seamands) - YouTube Alive and Kicking—Towards a Practical Theology of Illness ... In His Hands is perhaps an invitation to prayer and action while Alive and Kicking is an

invitation to research, prayer and action. The former says a great deal ... In His Hands: Towards a Theology of Healing-David Dale Item number. 332742571942 ; Book Title. In His Hands: Towards a Theology of Healing-David Dale ; ISBN. 9780232518511 ; Accurate description. 4.9 ; Reasonable ... Towards a Theology of Healing: (2) Healing and Incarnation Jan 10, 2014 — The healing ministry is not all about consoling the neurotic and encouraging the arthritic, just sometimes the hand of the Lord is revealed and ... Gift or a Given?: A Theology of Healing for the 21st Century He comes to the conclusion that the usual focus of the church on healing as a charismatic gift from an interventionist God is a distraction from the presence of ...