

Var
Eqn.

VAR

VAR1

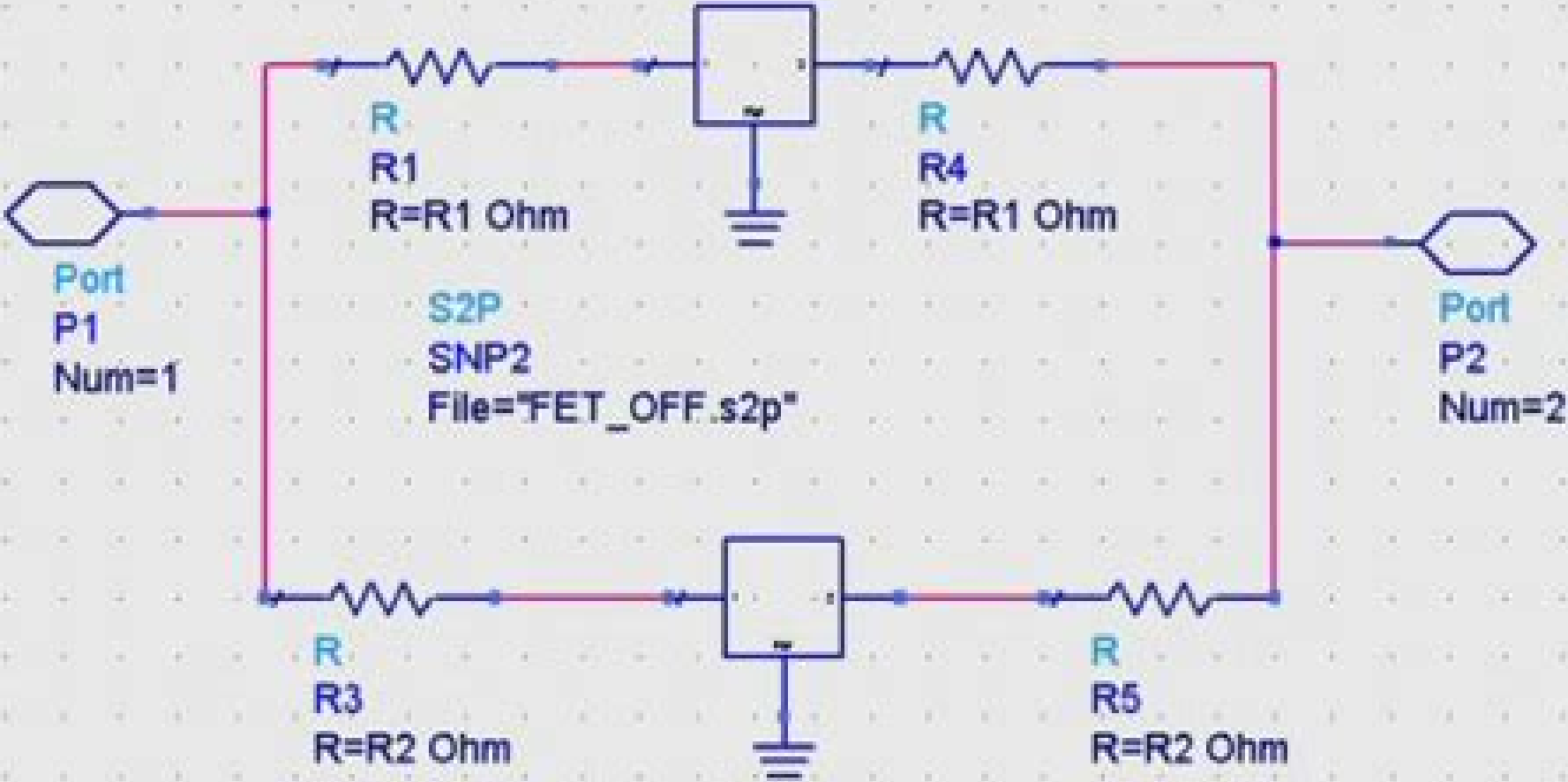
$$R1=(1.000000001-ON)/(0.000000001+ON)$$

$$R2=1/R1$$

S2P +

SNP1

File="FET_ON.s2p"



Example Circuit Using Ads 3

Puja Mehta



Example Circuit Using Ads 3 :

Getting the books **Example Circuit Using Ads 3** now is not type of challenging means. You could not by yourself going once book stock or library or borrowing from your friends to entre them. This is an completely simple means to specifically get guide by on-line. This online statement Example Circuit Using Ads 3 can be one of the options to accompany you following having further time.

It will not waste your time. put up with me, the e-book will totally publicize you supplementary event to read. Just invest little become old to get into this on-line publication **Example Circuit Using Ads 3** as without difficulty as review them wherever you are now.

https://py.bijouxmedusa.com/book/scholarship/default.aspx/modern_digital_electronics_by_r_p_jain_mcjack.pdf

Table of Contents Example Circuit Using Ads 3

1. Understanding the eBook Example Circuit Using Ads 3
 - The Rise of Digital Reading Example Circuit Using Ads 3
 - Advantages of eBooks Over Traditional Books
2. Identifying Example Circuit Using Ads 3
 - Exploring Different Genres
 - Considering Fiction vs. Non-Fiction
 - Determining Your Reading Goals
3. Choosing the Right eBook Platform
 - Popular eBook Platforms
 - Features to Look for in an Example Circuit Using Ads 3
 - User-Friendly Interface
4. Exploring eBook Recommendations from Example Circuit Using Ads 3
 - Personalized Recommendations
 - Example Circuit Using Ads 3 User Reviews and Ratings
 - Example Circuit Using Ads 3 and Bestseller Lists

5. Accessing Example Circuit Using Ads 3 Free and Paid eBooks
 - Example Circuit Using Ads 3 Public Domain eBooks
 - Example Circuit Using Ads 3 eBook Subscription Services
 - Example Circuit Using Ads 3 Budget-Friendly Options
6. Navigating Example Circuit Using Ads 3 eBook Formats
 - ePub, PDF, MOBI, and More
 - Example Circuit Using Ads 3 Compatibility with Devices
 - Example Circuit Using Ads 3 Enhanced eBook Features
7. Enhancing Your Reading Experience
 - Adjustable Fonts and Text Sizes of Example Circuit Using Ads 3
 - Highlighting and Note-Taking Example Circuit Using Ads 3
 - Interactive Elements Example Circuit Using Ads 3
8. Staying Engaged with Example Circuit Using Ads 3
 - Joining Online Reading Communities
 - Participating in Virtual Book Clubs
 - Following Authors and Publishers Example Circuit Using Ads 3
9. Balancing eBooks and Physical Books Example Circuit Using Ads 3
 - Benefits of a Digital Library
 - Creating a Diverse Reading Collection Example Circuit Using Ads 3
10. Overcoming Reading Challenges
 - Dealing with Digital Eye Strain
 - Minimizing Distractions
 - Managing Screen Time
11. Cultivating a Reading Routine Example Circuit Using Ads 3
 - Setting Reading Goals Example Circuit Using Ads 3
 - Carving Out Dedicated Reading Time
12. Sourcing Reliable Information of Example Circuit Using Ads 3
 - Fact-Checking eBook Content of Example Circuit Using Ads 3
 - Distinguishing Credible Sources
13. Promoting Lifelong Learning

- Utilizing eBooks for Skill Development
 - Exploring Educational eBooks
14. Embracing eBook Trends
- Integration of Multimedia Elements
 - Interactive and Gamified eBooks

Example Circuit Using Ads 3 Introduction

Example Circuit Using Ads 3 Offers over 60,000 free eBooks, including many classics that are in the public domain. Open Library: Provides access to over 1 million free eBooks, including classic literature and contemporary works. Example Circuit Using Ads 3 Offers a vast collection of books, some of which are available for free as PDF downloads, particularly older books in the public domain. Example Circuit Using Ads 3 : This website hosts a vast collection of scientific articles, books, and textbooks. While it operates in a legal gray area due to copyright issues, its a popular resource for finding various publications. Internet Archive for Example Circuit Using Ads 3 : Has an extensive collection of digital content, including books, articles, videos, and more. It has a massive library of free downloadable books. Free-eBooks Example Circuit Using Ads 3 Offers a diverse range of free eBooks across various genres. Example Circuit Using Ads 3 Focuses mainly on educational books, textbooks, and business books. It offers free PDF downloads for educational purposes. Example Circuit Using Ads 3 Provides a large selection of free eBooks in different genres, which are available for download in various formats, including PDF. Finding specific Example Circuit Using Ads 3 , especially related to Example Circuit Using Ads 3 , might be challenging as theyre often artistic creations rather than practical blueprints. However, you can explore the following steps to search for or create your own Online Searches: Look for websites, forums, or blogs dedicated to Example Circuit Using Ads 3 , Sometimes enthusiasts share their designs or concepts in PDF format. Books and Magazines Some Example Circuit Using Ads 3 books or magazines might include. Look for these in online stores or libraries. Remember that while Example Circuit Using Ads 3 , sharing copyrighted material without permission is not legal. Always ensure youre either creating your own or obtaining them from legitimate sources that allow sharing and downloading. Library Check if your local library offers eBook lending services. Many libraries have digital catalogs where you can borrow Example Circuit Using Ads 3 eBooks for free, including popular titles. Online Retailers: Websites like Amazon, Google Books, or Apple Books often sell eBooks. Sometimes, authors or publishers offer promotions or free periods for certain books. Authors Website Occasionally, authors provide excerpts or short stories for free on their websites. While this might not be the Example Circuit Using Ads 3 full book , it can give you a taste of the authors writing style. Subscription Services Platforms like Kindle Unlimited or Scribd offer subscription-based access to a wide range of Example Circuit Using Ads 3 eBooks, including some popular titles.

FAQs About Example Circuit Using Ads 3 Books

How do I know which eBook platform is the best for me? Finding the best eBook platform depends on your reading preferences and device compatibility. Research different platforms, read user reviews, and explore their features before making a choice. Are free eBooks of good quality? Yes, many reputable platforms offer high-quality free eBooks, including classics and public domain works. However, make sure to verify the source to ensure the eBook credibility. Can I read eBooks without an eReader? Absolutely! Most eBook platforms offer web-based readers or mobile apps that allow you to read eBooks on your computer, tablet, or smartphone. How do I avoid digital eye strain while reading eBooks? To prevent digital eye strain, take regular breaks, adjust the font size and background color, and ensure proper lighting while reading eBooks. What the advantage of interactive eBooks? Interactive eBooks incorporate multimedia elements, quizzes, and activities, enhancing the reader engagement and providing a more immersive learning experience. Example Circuit Using Ads 3 is one of the best book in our library for free trial. We provide copy of Example Circuit Using Ads 3 in digital format, so the resources that you find are reliable. There are also many Ebooks of related with Example Circuit Using Ads 3 . Where to download Example Circuit Using Ads 3 online for free? Are you looking for Example Circuit Using Ads 3 PDF? This is definitely going to save you time and cash in something you should think about.

Find Example Circuit Using Ads 3 :

modern digital electronics by r p jain mcjack

motivation in second and foreign language learning

mr darcy takes a wife

[nandhipurathu nayagi](#)

music theory in practice grade 2 music theory in practice abrsn

molecular biology and genetic engineering

neet biology mcq learning biology through mcqs

molecular cloning a laboratory manual 3rd ed

negro de paris el

[navistar international 4700 manual](#)

modernist cooking made easy getting started an introduction to the techniques ingredients and recipes of molecular gastronomy

montale eugenio i limoni skuola net

nevidljiva iva zvonimir balog

national geographic backyard guide the night sky

muay thai fighting techniques pdf wordpress

Example Circuit Using Ads 3 :

CRMA Study Materials CRMA Review Manuals and Software. The new CRMA Exam Study Guide and Practice Questions, 3rd Edition, is a comprehensive review resource for candidates to ... CRMA® Exam Study Guide and Practice Questions, 2nd ... The CRMA® Exam Study Guide and Practice Questions, 2nd Edition, compiles the comprehensive review material you need to prepare for the Certification in Risk ... Free Health & Social Care Flashcards about CRMA Recert ... Study free Health & Social Care flashcards about CRMA Recert 40 Hr created by 100001321957590 to improve your grades. Matching game, word search puzzle, ... CRMA Review Materials: The Official Study Guide's Pros ... We discuss the pros and cons on CRMA Exam Study Guide, and where you can get additional practice and review materials from other sources. CRMA Exam Study Guide 1st Edition by Francis Nicholson Book overview. The Certification in Risk Management Assurance CRMA Exam Study Guide, 1st Edition, compiles the comprehensive review material you need to prepare ... CRMA Study Guide The CRMA Study Guide is designed for students and individuals new to hospitality and the revenue management/revenue optimization discipline. It is the ... CRMA and PSS Training The Certified Residential Medication Aide (CRMA) training is designed for unlicensed workers. Successful completion of this course satisfies Departmental ... Resources | CRMA Certs | CRMA | CRMA Certification The items below will help you to prepare further for CRMA class quizzes and the final exams. Fortiter Study Guide (pdf) ... CRMA Practice Questions online? : r/InternalAudit Hi, I am currently preparing for the CRMA exam and I have the "Exam Study Guide and (200) Practice Questions" as a pdf file. Certification in Risk Management Assurance (CRMA) Full study course for the IIA's CRMA certification. Learn how to audit risk management. All Nissan Owners Vehicle Manuals & Guides Visit site to download your Nissan vehicle's manuals and guides and access important details regarding the use and care of your vehicle. 2020 Nissan LEAF | Owner's Manual A NISSAN certified LEAF dealer knows your vehicle best. When you require any service or have any questions, we will be glad to assist you with the extensive ... NISSANCONNECT® OWNER'S MANUAL Thank you for purchasing a NISSAN vehicle. This user's manual is for NissanConnect® in your NISSAN vehicle. Operation instructions for the following systems ... Nissan LEAF Owners Manual Nissan LEAF Owners Manual ; Owner's Manual - Nissan LEAF 2024 (French), View this Book Online Now ; Owner's Manual - Nissan LEAF 2024 (Spanish), View this Book ... User manual Nissan LEAF (2021) (English - 604 pages) Manual. View the manual for the Nissan LEAF (2021) here, for free. This manual comes under the category cars and has been rated by 2 people with an average ... Nissan Leaf In-Depth Controls and Infotainment Guide Nissan Leaf ZE1 (Nov 17+) Owners manual. English Nissan Leaf ZE1

(Nov 17+) Owners manual. English. Not all Leafs come with this book in English but we have this version available for the Nissan Leaf 40 kWh (... User manual Nissan LEAF (2022) (English - 620 pages) Manual. View the manual for the Nissan LEAF (2022) here, for free. This manual comes under the category cars and has been rated by 1 people with an average ... Owner's Manual Supplement : r/leaf This Manual amendment covers Nissan legally. In the case where someone drives with there windows are not clear and gets in an accident. It ... Service Manual May 30, 2018 — Does anyone know where I can get a service manual for my 2011 nissan leaf? ... I just need an electronic PDF that I can download and reference in ... ENGINE Workshop Manual 4M4 (W-E) ENGINE. 4M40. 11A-0-1. GENERAL INFORMATION. 1. SPECIFICATIONS. GENERAL SPECIFICATIONS. SERVICE SPECIFICATIONS. TORQUE SPECIFICATIONS. SEALANT. 2. SPECIAL TOOLS. ENGINE Workshop Manual 4M4 (W E) 4M40 User Manual: 4M40. Open the PDF directly: View PDF PDF . Page Count: 130 [warning: Documents this large are best viewed by clicking the View PDF Link!] 4m40 Workshop Manual PDF 4m40 workshop manual.pdf - Free download as PDF File (.pdf) or read online for free. Mitsubishi Engine 4M40 Service Repair Manual PDF ONLINE - Mitsubishi Engine 4M40 Service Repair Manual. Mitsubishi Engine 4M40 Service Repair Manual. Mitsubishi 4M40 / 4M40T Engine Workshop Maintenance ... Engine Maintenance / Repair Manual Suitable For Vehicles / Machinery Running The Following Engine/s Mitsubishi 4M40. Mitsubishi Engine 4M40 Service Repair Manual | PDF Mitsubishi Engine 4M40 Service Repair Manual. Uploaded by. Quốc Phú Đình. 100%(1)100% found this document useful (1 vote). 537 views. 137 pages ... Mitsubishi Canter engine 4M40 Service Manual20200201 ... Shop Manual • Compiled for experienced technicians, this shop manual aims to provide technical information required for maintenance and repair of the machine. L400 Complete Workshop manual now available! Apr 30, 2020 — Like what the topic says: a full l400 workshop manual is available via the resources section. It's my google docs folder, download whatever ... SHOGUN Mitsubishi WORKSHOP & 2.8 TD 4M40 ENGINE ... PLUS Full Wiring Diagrams Showing Harnesses. Not just a Parts Manual or Service Manual. This is by far the best and easiest to use and Most Comprehensive ... 1998 Pajero 2.8d V36 4m40 Manual Jan 14, 2017 — 4M40 engine repair manual is online. PDF]ENGINE Workshop Manual 4M4 ... Mitsubishi Outlander repair manual. Outlander & Airtrek Forum. 1; 3K. M.