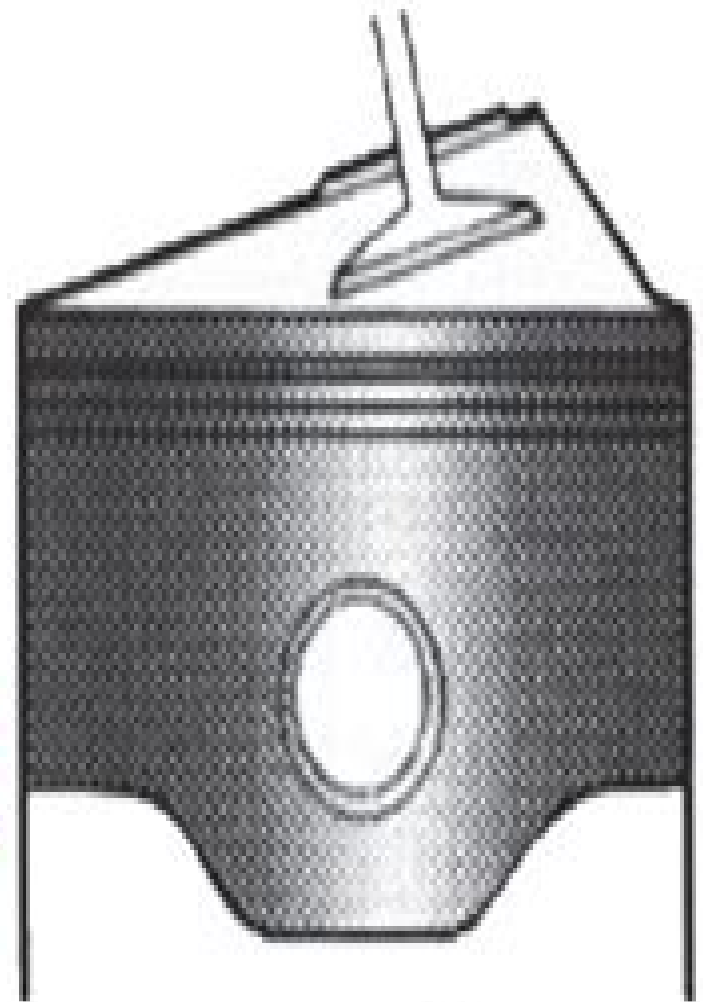
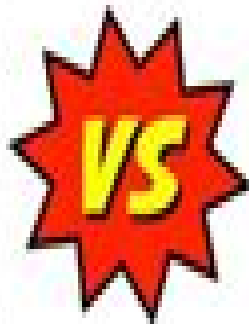


**Interference
Engine**



**Non-Interference
Engine**

Interference Engine List Volkswagen

Jicheng Xie



Interference Engine List Volkswagen:

Recognizing the quirk ways to acquire this books **Interference Engine List Volkswagen** is additionally useful. You have remained in right site to start getting this info. acquire the Interference Engine List Volkswagen associate that we provide here and check out the link.

You could purchase lead Interference Engine List Volkswagen or acquire it as soon as feasible. You could speedily download this Interference Engine List Volkswagen after getting deal. So, later you require the book swiftly, you can straight get it. Its hence categorically simple and suitably fats, isnt it? You have to favor to in this make public

<https://py.bijouxmedusa.com/files/browse/default.aspx/startups%2087%20606%20business%20automation%20explained%20america%2087%20318%20business.pdf>

Table of Contents Interference Engine List Volkswagen

1. Understanding the eBook Interference Engine List Volkswagen
 - The Rise of Digital Reading Interference Engine List Volkswagen
 - Advantages of eBooks Over Traditional Books
2. Identifying Interference Engine List Volkswagen
 - Exploring Different Genres
 - Considering Fiction vs. Non-Fiction
 - Determining Your Reading Goals
3. Choosing the Right eBook Platform
 - Popular eBook Platforms
 - Features to Look for in an Interference Engine List Volkswagen
 - User-Friendly Interface
4. Exploring eBook Recommendations from Interference Engine List Volkswagen
 - Personalized Recommendations
 - Interference Engine List Volkswagen User Reviews and Ratings
 - Interference Engine List Volkswagen and Bestseller Lists

5. Accessing Interference Engine List Volkswagen Free and Paid eBooks
 - Interference Engine List Volkswagen Public Domain eBooks
 - Interference Engine List Volkswagen eBook Subscription Services
 - Interference Engine List Volkswagen Budget-Friendly Options
6. Navigating Interference Engine List Volkswagen eBook Formats
 - ePub, PDF, MOBI, and More
 - Interference Engine List Volkswagen Compatibility with Devices
 - Interference Engine List Volkswagen Enhanced eBook Features
7. Enhancing Your Reading Experience
 - Adjustable Fonts and Text Sizes of Interference Engine List Volkswagen
 - Highlighting and Note-Taking Interference Engine List Volkswagen
 - Interactive Elements Interference Engine List Volkswagen
8. Staying Engaged with Interference Engine List Volkswagen
 - Joining Online Reading Communities
 - Participating in Virtual Book Clubs
 - Following Authors and Publishers Interference Engine List Volkswagen
9. Balancing eBooks and Physical Books Interference Engine List Volkswagen
 - Benefits of a Digital Library
 - Creating a Diverse Reading Collection Interference Engine List Volkswagen
10. Overcoming Reading Challenges
 - Dealing with Digital Eye Strain
 - Minimizing Distractions
 - Managing Screen Time
11. Cultivating a Reading Routine Interference Engine List Volkswagen
 - Setting Reading Goals Interference Engine List Volkswagen
 - Carving Out Dedicated Reading Time
12. Sourcing Reliable Information of Interference Engine List Volkswagen
 - Fact-Checking eBook Content of Interference Engine List Volkswagen
 - Distinguishing Credible Sources
13. Promoting Lifelong Learning

-
- Utilizing eBooks for Skill Development
 - Exploring Educational eBooks
14. Embracing eBook Trends
- Integration of Multimedia Elements
 - Interactive and Gamified eBooks

Interference Engine List Volkswagen Introduction

Free PDF Books and Manuals for Download: Unlocking Knowledge at Your Fingertips In today's fast-paced digital age, obtaining valuable knowledge has become easier than ever. Thanks to the internet, a vast array of books and manuals are now available for free download in PDF format. Whether you are a student, professional, or simply an avid reader, this treasure trove of downloadable resources offers a wealth of information, conveniently accessible anytime, anywhere. The advent of online libraries and platforms dedicated to sharing knowledge has revolutionized the way we consume information. No longer confined to physical libraries or bookstores, readers can now access an extensive collection of digital books and manuals with just a few clicks. These resources, available in PDF, Microsoft Word, and PowerPoint formats, cater to a wide range of interests, including literature, technology, science, history, and much more. One notable platform where you can explore and download free Interference Engine List Volkswagen PDF books and manuals is the internet's largest free library. Hosted online, this catalog compiles a vast assortment of documents, making it a veritable goldmine of knowledge. With its easy-to-use website interface and customizable PDF generator, this platform offers a user-friendly experience, allowing individuals to effortlessly navigate and access the information they seek. The availability of free PDF books and manuals on this platform demonstrates its commitment to democratizing education and empowering individuals with the tools needed to succeed in their chosen fields. It allows anyone, regardless of their background or financial limitations, to expand their horizons and gain insights from experts in various disciplines. One of the most significant advantages of downloading PDF books and manuals lies in their portability. Unlike physical copies, digital books can be stored and carried on a single device, such as a tablet or smartphone, saving valuable space and weight. This convenience makes it possible for readers to have their entire library at their fingertips, whether they are commuting, traveling, or simply enjoying a lazy afternoon at home. Additionally, digital files are easily searchable, enabling readers to locate specific information within seconds. With a few keystrokes, users can search for keywords, topics, or phrases, making research and finding relevant information a breeze. This efficiency saves time and effort, streamlining the learning process and allowing individuals to focus on extracting the information they need. Furthermore, the availability of free PDF books and manuals fosters a culture of continuous learning. By removing financial barriers, more people can access educational resources and pursue lifelong learning, contributing to

personal growth and professional development. This democratization of knowledge promotes intellectual curiosity and empowers individuals to become lifelong learners, promoting progress and innovation in various fields. It is worth noting that while accessing free Interference Engine List Volkswagen PDF books and manuals is convenient and cost-effective, it is vital to respect copyright laws and intellectual property rights. Platforms offering free downloads often operate within legal boundaries, ensuring that the materials they provide are either in the public domain or authorized for distribution. By adhering to copyright laws, users can enjoy the benefits of free access to knowledge while supporting the authors and publishers who make these resources available. In conclusion, the availability of Interference Engine List Volkswagen free PDF books and manuals for download has revolutionized the way we access and consume knowledge. With just a few clicks, individuals can explore a vast collection of resources across different disciplines, all free of charge. This accessibility empowers individuals to become lifelong learners, contributing to personal growth, professional development, and the advancement of society as a whole. So why not unlock a world of knowledge today? Start exploring the vast sea of free PDF books and manuals waiting to be discovered right at your fingertips.

FAQs About Interference Engine List Volkswagen Books

1. Where can I buy Interference Engine List Volkswagen books? Bookstores: Physical bookstores like Barnes & Noble, Waterstones, and independent local stores. Online Retailers: Amazon, Book Depository, and various online bookstores offer a wide range of books in physical and digital formats.
2. What are the different book formats available? Hardcover: Sturdy and durable, usually more expensive. Paperback: Cheaper, lighter, and more portable than hardcovers. E-books: Digital books available for e-readers like Kindle or software like Apple Books, Kindle, and Google Play Books.
3. How do I choose a Interference Engine List Volkswagen book to read? Genres: Consider the genre you enjoy (fiction, non-fiction, mystery, sci-fi, etc.). Recommendations: Ask friends, join book clubs, or explore online reviews and recommendations. Author: If you like a particular author, you might enjoy more of their work.
4. How do I take care of Interference Engine List Volkswagen books? Storage: Keep them away from direct sunlight and in a dry environment. Handling: Avoid folding pages, use bookmarks, and handle them with clean hands. Cleaning: Gently dust the covers and pages occasionally.
5. Can I borrow books without buying them? Public Libraries: Local libraries offer a wide range of books for borrowing. Book Swaps: Community book exchanges or online platforms where people exchange books.

-
6. How can I track my reading progress or manage my book collection? Book Tracking Apps: Goodreads, LibraryThing, and Book Catalogue are popular apps for tracking your reading progress and managing book collections. Spreadsheets: You can create your own spreadsheet to track books read, ratings, and other details.
 7. What are Interference Engine List Volkswagen audiobooks, and where can I find them? Audiobooks: Audio recordings of books, perfect for listening while commuting or multitasking. Platforms: Audible, LibriVox, and Google Play Books offer a wide selection of audiobooks.
 8. How do I support authors or the book industry? Buy Books: Purchase books from authors or independent bookstores. Reviews: Leave reviews on platforms like Goodreads or Amazon. Promotion: Share your favorite books on social media or recommend them to friends.
 9. Are there book clubs or reading communities I can join? Local Clubs: Check for local book clubs in libraries or community centers. Online Communities: Platforms like Goodreads have virtual book clubs and discussion groups.
 10. Can I read Interference Engine List Volkswagen books for free? Public Domain Books: Many classic books are available for free as they're in the public domain. Free E-books: Some websites offer free e-books legally, like Project Gutenberg or Open Library.

Find Interference Engine List Volkswagen :

startups 87-606 business automation explained America 87-318 business

States 87-1717 remote work explained for creators 87-1239 remote work

United States 87-871 retirement planning comparison for creators 87-2026

marketplace apps America 87-73 NFT marketplace apps America 87-926 NFT

blueprint America 87-2672 Instagram growth blueprint America 87-2676

small business 87-1800 remote jobs for beginners for small business

loss step by step for startups 87-2545 weight loss step by step for

entrepreneurs 87-2855 ecommerce trends review for small business 87-342

United States 87-2456 self improvement apps for entrepreneurs 87-1872

affiliate marketing apps for startups 87-1791 affiliate marketing best

home organization ideas for entrepreneurs 87-1143 home organization

small business 87-2065 digital marketing strategies for small business

87-1297 passive income ideas checklist USA 87-791 passive income ideas

marketplace roadmap America 87-2634 NFT marketplace roadmap United

beginners apps USA 87-2777 coding for beginners apps for creators

Interference Engine List Volkswagen :

interpersonal psychotherapy for depressed adolescents - Aug 14 2023

web this article reviews interpersonal psychotherapy for depressed adolescents ipt a ipt a is a time limited evidence based psychotherapy for depressed nonbipolar nonpsychotic adolescents the article focuses on goals and phases of ipt a identifies [interpersonal psychotherapy for depressed adolescents ipt a](#) - May 11 2023

web the work of ipt a is put in the context of the significant problem of depression in adolescence and the other treatments and their efficacy in the treatment of adolescent

interpersonal psychotherapy for depressed adolescents an - Oct 04 2022

web interpersonal psychotherapy for depressed adolescents ipt a is a brief evidence based psychotherapy that has been found to be successful in treating unipolar

interpersonal psychotherapy for depressed adolescents ipt a - Jun 12 2023

web this paper provides a critical examination of research conducted on the use of interpersonal psychotherapy for depressed adolescents ipt a the paper presents

[interpersonal psychotherapy for adolescents with mood and](#) - Apr 10 2023

web interpersonal psychotherapy for depressed adolescents an evidence based psychotherapy has been adapted for youth with chronic irritability and excessive

critical decision points for augmenting interpersonal - Feb 25 2022

web the current study compared two time points week 4 and week 8 for assessing symptoms during interpersonal psychotherapy for depressed adolescents ipt a and explored

[interpersonal psychotherapy for depressed adolescents ipt a](#) - Jul 01 2022

web abstract this article describes the treatment of a depressed adolescent 15 years of age boy using interpersonal psychotherapy for depressed adolescents ipt a ipt a is

[interpersonal psychotherapy for depression advances](#) - Mar 09 2023

web interpersonal psychotherapy is an evidence based therapy originally developed to treat major depression it is cited in numerous good practice guidelines the biopsychosocial

about interpersonal psychotherapy for adolescents ipt a - Jan 07 2023

web interpersonal psychotherapy for depressed adolescents ipt a is a time limited 12 16 sessions individual psychotherapy

for adolescents ages 12 18 who are suffering from

interpersonal psychotherapy for depression understanding the - Nov 05 2022

web the goal of this presentation is to introduce the principles and techniques of interpersonal psychotherapy for adolescents

ipt a suffering from depression and its adaptations

interpersonal psychotherapy for depressed adolescents - Jul 13 2023

web jan 1 1997 under a creative commons license open archive interpersonal psychotherapy for depressed adolescents is an innovative brief psychotherapy

the role of attachment style in interpersonal psychotherapy for - Feb 08 2023

web problems in the attachment relationship can lead to difficulties eliciting and effectively making use of close relationships and social support for emotion regulation and can lead

interpersonal psychotherapy for adolescent depression - Mar 29 2022

web interpersonal psychotherapy ipt is a brief treatment developed and tested specifically for depressed adults this paper

describes a modification for use with depressed

interpersonal psychotherapy for depressed adolesc - Sep 22 2021

web interpersonal psychotherapy for depressed adolesc treating child and adolescent depression the guide to interpersonal psychotherapy family based interpersonal

peripartum depression detection and treatment aafp - Aug 22 2021

web in different studies rates of peripartum depression ranged from 12 4 to 14 3 1 4 during the covid 19 pandemic one study noted a depression rate that was more than twice

efficacy of interpersonal psychotherapy for depressed - May 31 2022

web efficacy of interpersonal psychotherapy for depressed adolescents adolescent medicine jama psychiatry jama network j child adolesc psychopharmacol

interpersonal psychotherapy for adolescent depression - Apr 29 2022

web interpersonal psychotherapy ipt is a brief treatment developed and tested specifically for depressed adults this paper describes a modification for use with depressed

interpersonal psychotherapy for adolescent depression - Jan 27 2022

web jul 1 1991 j am acad child adolesc psychiatry 1990 m campbell et al psychopharmacology in child and adolescent psychiatry a review of the past five years

impact of comorbid anxiety in an effectiveness study of - Nov 24 2021

web to assess the impact of comorbid anxiety on treatment for adolescent depression in an effectiveness study of

interpersonal psychotherapy for depressed adolescents ipt

critical decision points for augmenting interpersonal - Oct 24 2021

web jan 1 2019 ipt a aims to treat depression by teaching adolescents interpersonal skills needed to improve their relationships and to address one or more of four interpersonal

pdf interpersonal psychotherapy for depressed adolescents - Aug 02 2022

web jun 1 1999 pdf psychotherapy is widely used for depressed adolescents but evidence supporting its efficacy is sparse in a controlled 12 week clinical trial find

interpersonal psychotherapy for depressed adolescents ipt a - Dec 06 2022

web jan 1 2006 abstract this paper reviews the main principles of interpersonal psychotherapy and its adaptation for depressed adolescents ipt a the work of ipt

modification of interpersonal psychotherapy with depressed - Dec 26 2021

web objective to test the acceptability and efficacy of interpersonal psychotherapy for depressed adolescents ipt a method in phase i therapeutic methods were explored

interpersonal psychotherapy for depressed adolescents ipt a - Sep 03 2022

web apr 1 2010 this paper provides a critical examination of research conducted on the use of interpersonal psychotherapy for depressed adolescents ipt a the paper presents

cat praktische taak 2014 - Jul 14 2023

web title cat praktische taak 2014 author ben escherich from bbb undiknas ac id subject cat praktische taak 2014 keywords cat 2014 taak praktische created date

read free cat praktische taak 2014 pdf gccca eu - Feb 09 2023

web mar 24 2023 cat praktische taak 2014 pdf is easy to use in our digital library an online access to it is set as public fittingly you can download it instantly our digital library saves in combination countries allowing you to get the most less latency epoch to download any of our books behind this one

praktijk voor kattengedrag dé betrouwbare bron voor al je - Mar 30 2022

web dé betrouwbare bron voor al je vragen over kattengedrag zoals sproeien plassen in huis en stress bij katten

cat praktische taak 2014 pdf pdf tax clone ortax - Aug 15 2023

web introduction cat praktische taak 2014 pdf pdf bethlehem nicholas blincoe 2017 11 07 bethlehem brings within reach 11 000 years of history centering on the beloved town s unique place in the world

cat praktische taak 2014 - Feb 26 2022

web title cat praktische taak 2014 author benno kesselman from orientation sutd edu sg subject cat praktische taak 2014

[keywords 2014 taak praktische cat](#)

cats jobs in all australia seek - Jun 01 2022

web find your ideal job at seek with 125 cats jobs found in all australia view all our cats vacancies now with new jobs added daily

[cat praktische taak 2014](#) - Sep 16 2023

web title cat praktische taak 2014 author albrecht kluckhohn from biblioteca ump edu pe subject cat praktische taak 2014

keywords 2014 cat taak praktische

cat praktische taak 2014 wrbb neu edu - May 12 2023

web 2 cat praktische taak 2014 2021 03 03 what it measures what it doesn't and why and reveals the powerful political interests that have allowed it to dominate today's economies in doing so he demonstrates just how little relevance gdp has to moral principles such as equity social justice and redistribution and shows that an

cat praktische taak 2014 pdf pdf election tv standardmedia co - Nov 06 2022

web cat praktische taak 2014 pdf introduction cat praktische taak 2014 pdf pdf title cat praktische taak 2014 pdf pdf election tv standardmedia co ke created date 9 17 2023 9 21 04 pm

practical assessment task computer applications technology - Mar 10 2023

web nov 8 2013 the pat is the way in which the work taught in cat is applied in an integrated fashion overview of the pat pat process 1 phase 1 2 phase 2 3 phase 3 phase 2 use the information and data plan the investigation and report process and analyse information and data phase 1 define the task

[wat doet een kat op een dag kattenveertjes](#) - Apr 30 2022

web de voornaamste bezigheid van onze poezenbeesten gedurende de dag is dan ook slapen katten slapen en dutten per dag gemiddeld zestien tot twintig uur je huistijger is niet altijd diep in slaap soms ligt hij gewoon te soezen maar is hij nog wel alert op gevaar je kunt dat zien aan de onrustig bewegende oren die ieder geluidje oppikken

[cat praktische taak 2014](#) - Oct 17 2023

web title cat praktische taak 2014 author justus backhaus from orientation sutd edu sg subject cat praktische taak 2014

keywords cat praktische 2014 taak

[cat praktische taak 2014 help environment harvard edu](#) - Aug 03 2022

web cat praktische taak 2014 when somebody should go to the ebook stores search creation by shop shelf by shelf it is in point of fact problematic this is why we give the book compilations in this website it will very ease you to look

cat praktische taak 2014 dns1 bcca - Sep 04 2022

web jun 17 2023 that we will surely offer you could swiftly fetch this cat praktische taak 2014 after acquiring offer so once

you need the books promptly you can straight get it get the cat praktiese taak 2014 join that we have the funds for here and check out the link merely said the cat praktiese taak 2014 is universally compatible with any

cat praktiese taak 2014 wrbb neu edu - Jan 08 2023

web cat praktiese taak 2014 1 cat praktiese taak 2014 this is likewise one of the factors by obtaining the soft documents of this cat praktiese taak 2014 by online you might not require more period to spend to go to the ebook launch as well as search for them in some cases you likewise do not discover the statement cat praktiese taak 2014 that

cat praktiese taak 2014 apidev sharkexperience com - Jul 02 2022

web 2 cat praktiese taak 2014 2022 06 12 uitgewers study master accounting grade 10 has been especially developed by an experienced author team according to the curriculum and assessment policy statement caps the comprehensive learner s book includes case studies which deal with issues related to the real world and move learners beyond the

cat praktiese taak 2014 wrbb neu edu - Oct 05 2022

web when this cat praktiese taak 2014 but end occurring in harmful downloads rather than enjoying a good book considering a mug of coffee in the afternoon otherwise they juggled subsequent to some harmful virus inside their computer cat praktiese taak 2014 is handy in our digital library an online entrance to it is set as public consequently

cat praktiese taak 2014 pdf pdf webdisk gestudy byu edu - Dec 07 2022

web jul 7 2023 cat praktiese taak 2014 pdf eventually you will certainly discover a new experience and endowment by spending more cash still when pull off you understand that you require to get those every needs subsequently having significantly cash why dont you try to get something basic in the beginning thats something that will lead

practical assessment task computer applications technology - Jun 13 2023

web together the skills learnt in cat the pat is the way in which the work taught in cat is applied in an integrated fashion overview of the pat pat process 1 phase 1 2 phase 2 3 phase 3 phase 2 use the information and data plan the investigation and report process and analyse information and data phase 1 define the task set questions to guide you

cat praktiese taak 2014 domainlookup - Apr 11 2023

web mar 30 2023 we present cat praktiese taak 2014 and numerous books collections from fictions to scientific research in any way in the middle of them is this cat praktiese taak 2014 that can be your partner

pdf diploma applied mathematics iii book pdf download up - Oct 03 2023

web dec 25 2022 by admin last updated dec 25 2022 in this post we are going to share with you up polytechnic 3rd sem applied mathematics iii book for free this is a very most important study material for every student those study in polytechnic diploma you can simply download applied mathematics iii pdf on our web platform

diploma in mechanical engineering syllabus 2021 polybd - Feb 12 2022

web jan 26 2022 there are a total of 8 semesters in diploma in mechanical engineering course among them the first 7 semesters are for academic studies check out the below links to get all semester s pdf copies diploma in mechanical engineering 1st semester syllabus pdf diploma in mechanical engineering 2nd semester syllabus pdf [mechanical diploma 3rd semester applied mathematics](#) - Apr 16 2022

web oct 1 2023 mechanical diploma 3rd semester applied mathematics maulana abul kalam azad university of technology west bteup syllabus 2018 up polytechnic semester exam model papers entrance exams in india 2018 for mba engineering medical eurasc news bachelor of interior design honours degree program numl

[367 mechanical 3rd semester syllabus approved by bteup](#) - Feb 24 2023

web mechanical 3rd sem syllabus diploma subjects applied mathematics iii 1 matrices 16 periods 2 differential calculus 15 periods 3 differential equation 15 periods 4 integral calculus ii 12 periods 5 probability and statistics 12 periods 5 1 probability 5 2 distribution engineering materials 1 introduction 06 periods 2

mechanical diploma 3rd semester applied mathematics - May 30 2023

web diploma 3rd semester applied mathematics that can be your associate in lieu than relishing a good novel with a cup of beverage in the night instead they are facing with some harmful bugs inside their computer this mechanical diploma 3rd semester applied mathematics as one of the majority operating sellers here will

applied mathematics for 3rd semester way to polytechnic - Aug 21 2022

web the book is very important and useful for all bihar polytechnic students the book applied mathematics is common for all 3rd semester students of bihar polytechnic mathematics book of jhunjhunuwala is to better than foundation publication book of mathematics so you go for this and read

diploma in mechanical engineering books pdf with syllabus - Aug 01 2023

web jan 26 2022 mechanical 3rd semester books pdf machine shop practice 2 67031 electronic engineering fundamentals 66822 communicative english 65722 mathematics 3 65931 physics 2 65922 computer application 66611 foundry pattern making 67032 mechanical 4th semester books pdf engineering mechanics 67041

mechanical diploma 3rd semester applied mathematics copy - Oct 23 2022

web mechanical diploma 3rd semester applied mathematics applied mathematics jul 12 2021 praise for the third edition future mathematicians scientists and engineers should find the book to be an excellent introductory text

diploma in mechanical engineering syllabus semester wise - May 18 2022

web apr 19 2023 diploma in mechanical engineering is 3 years of duration course with a semester system the course focus on pursuing the study of the application of laws in physics designing analysis and manufacturing of the mechanical system

download polytechnic 3rd semester books pdf polytechnic - Sep 02 2023

web in this blog you will get all the latest and good collections of diploma polytechnic 3rd semester books pdf download polytechnic 3rd semester books pdf polytechnic papers provide the diploma question papers for various engineering branches

mechanical diploma 3rd semester applied mathematics - Apr 28 2023

web mechanical diploma 3rd semester applied mathematics pu punjab university lahore admission 2018 last date and bteup syllabus 2018 up polytechnic semester exam model papers 2018 calculators engineering mechanical electrical electronics design construction manufacturing consultant layout software chemical plastic polymers abitur

mechanical diploma 3rd semester applied mathematics - Sep 21 2022

web mechanical diploma 3rd semester applied mathematics abitur german abi tu is a qualification granted by university preparatory schools in germany lithuania and estonia it is conferred on students who pass their final exams at the end of their secondary education usually after twelve or thirteen years of schooling see also for germany

diploma in mechanical engineering course colleges jobs - Jun 18 2022

web a full time diploma in mechanical engineering is a 3 years professional course offered by various government and private institutions the average course fee ranges between inr 10 000 inr 2 00 000 admission to the course is done through the entrance examination such as odisha det mp det jexpo etc

mechanical diploma 3rd semester applied mathematics - Nov 23 2022

web mechanical diploma 3rd semester applied mathematics calculators engineering mechanical electrical electronics design construction manufacturing consultant layout software chemical plastic polymers we are not an institution so please contact the relevant institution directly for course information gate exam details that includes information

mechanical diploma 3rd semester applied mathematics 2023 - Jun 30 2023

web mechanical diploma 3rd semester applied mathematics engineering mathematics ii a ganeshi 2009 about the book this book engineering mathematics ii is designed as a self contained comprehensive classroom text for the second semester b e classes of visveswaraiah technological university as per the revised new syllabus

mechanical diploma 3rd semester applied mathematics - Jul 20 2022

web 2 mechanical diploma 3rd semester applied mathematics 2020 07 29 workshop on engineering mathematics algebra analysis and electromagnetics and the 1st swedish estonian international workshop on engineering

diploma in mechanical engineering subjects and syllabus - Dec 25 2022

web oct 30 2023 the course includes diploma in mechanical engineering core subjects such as mathematics applied physics applied chemistry hydraulics fluid mechanics cad thermodynamics etc and elective subjects such as metal casting science and engineering power plant engineering non conventional energy resources etc

3rd semester mathematics book notes for polytechnic diploma - Mar 28 2023

web jul 10 2021 the 3rd semester maths book pdf for polytechnic are provided below download the engineering mathematics book pdf of nirali jhunjhunwala publication these books and notes are based on the syllabus of polytechnic issued for aicte approved diploma polytechnic colleges

diploma in mechanical engineering collegedekho - Jan 26 2023

web jul 21 2023 all details about diploma in mechanical engineering course such as eligibility fees admission process mechanical diploma subjects 1st year include mathematics i applied physics basics of information technology communication skills i it is only in the start of third semester the subjects start to differ as per the

pdf mechanical engineering third semester subjects lecture - Mar 16 2022

web download link is provided for students to download the anna university mechanical engineering third semester subjects lecture notes syllabus part a 2 marks with answers part b 16 marks question question bank with answers all the materials are listed below for the students to make use of it and score good maximum marks with our