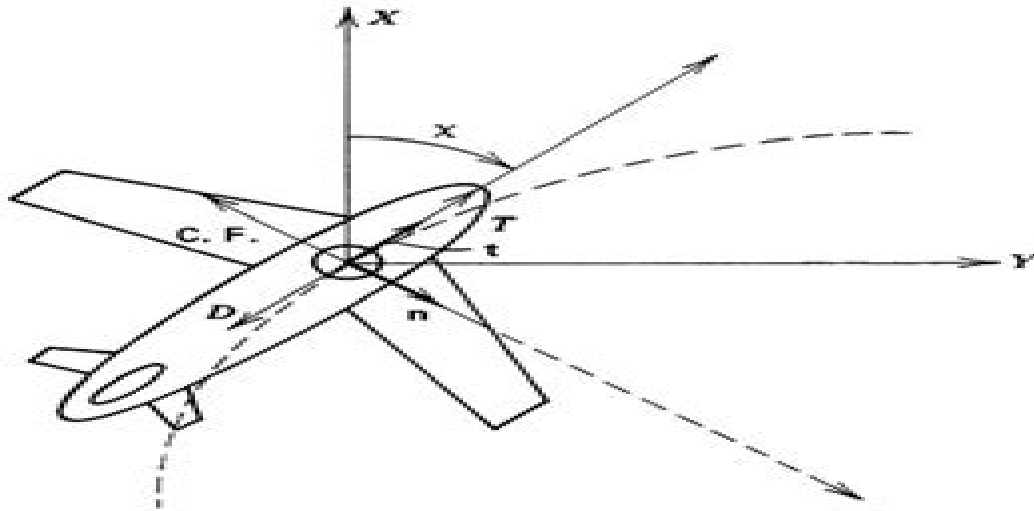


# Introduction to Aircraft Performance, Selection, and Design



**Francis J. Hale**

# Introduction To Aircraft Performance Selection And Design

**N Colangelo**



## **Introduction To Aircraft Performance Selection And Design:**

Yeah, reviewing a books **Introduction To Aircraft Performance Selection And Design** could be credited with your close friends listings. This is just one of the solutions for you to be successful. As understood, realization does not suggest that you have astounding points.

Comprehending as well as accord even more than extra will manage to pay for each success. neighboring to, the declaration as well as keenness of this Introduction To Aircraft Performance Selection And Design can be taken as capably as picked to act.

<https://py.bijouxmedusa.com/files/virtual-library/default.aspx/esame%20di%20stato%20psicologia%20110%20e%20lode.pdf>

## **Table of Contents Introduction To Aircraft Performance Selection And Design**

1. Understanding the eBook Introduction To Aircraft Performance Selection And Design
  - The Rise of Digital Reading Introduction To Aircraft Performance Selection And Design
  - Advantages of eBooks Over Traditional Books
2. Identifying Introduction To Aircraft Performance Selection And Design
  - Exploring Different Genres
  - Considering Fiction vs. Non-Fiction
  - Determining Your Reading Goals
3. Choosing the Right eBook Platform
  - Popular eBook Platforms
  - Features to Look for in an Introduction To Aircraft Performance Selection And Design
  - User-Friendly Interface
4. Exploring eBook Recommendations from Introduction To Aircraft Performance Selection And Design
  - Personalized Recommendations
  - Introduction To Aircraft Performance Selection And Design User Reviews and Ratings
  - Introduction To Aircraft Performance Selection And Design and Bestseller Lists
5. Accessing Introduction To Aircraft Performance Selection And Design Free and Paid eBooks

- Introduction To Aircraft Performance Selection And Design Public Domain eBooks
  - Introduction To Aircraft Performance Selection And Design eBook Subscription Services
  - Introduction To Aircraft Performance Selection And Design Budget-Friendly Options
6. Navigating Introduction To Aircraft Performance Selection And Design eBook Formats
    - ePub, PDF, MOBI, and More
    - Introduction To Aircraft Performance Selection And Design Compatibility with Devices
    - Introduction To Aircraft Performance Selection And Design Enhanced eBook Features
  7. Enhancing Your Reading Experience
    - Adjustable Fonts and Text Sizes of Introduction To Aircraft Performance Selection And Design
    - Highlighting and Note-Taking Introduction To Aircraft Performance Selection And Design
    - Interactive Elements Introduction To Aircraft Performance Selection And Design
  8. Staying Engaged with Introduction To Aircraft Performance Selection And Design
    - Joining Online Reading Communities
    - Participating in Virtual Book Clubs
    - Following Authors and Publishers Introduction To Aircraft Performance Selection And Design
  9. Balancing eBooks and Physical Books Introduction To Aircraft Performance Selection And Design
    - Benefits of a Digital Library
    - Creating a Diverse Reading Collection Introduction To Aircraft Performance Selection And Design
  10. Overcoming Reading Challenges
    - Dealing with Digital Eye Strain
    - Minimizing Distractions
    - Managing Screen Time
  11. Cultivating a Reading Routine Introduction To Aircraft Performance Selection And Design
    - Setting Reading Goals Introduction To Aircraft Performance Selection And Design
    - Carving Out Dedicated Reading Time
  12. Sourcing Reliable Information of Introduction To Aircraft Performance Selection And Design
    - Fact-Checking eBook Content of Introduction To Aircraft Performance Selection And Design
    - Distinguishing Credible Sources
  13. Promoting Lifelong Learning
    - Utilizing eBooks for Skill Development

- Exploring Educational eBooks
- 14. Embracing eBook Trends
  - Integration of Multimedia Elements
  - Interactive and Gamified eBooks

### **Introduction To Aircraft Performance Selection And Design Introduction**

In today's digital age, the availability of Introduction To Aircraft Performance Selection And Design books and manuals for download has revolutionized the way we access information. Gone are the days of physically flipping through pages and carrying heavy textbooks or manuals. With just a few clicks, we can now access a wealth of knowledge from the comfort of our own homes or on the go. This article will explore the advantages of Introduction To Aircraft Performance Selection And Design books and manuals for download, along with some popular platforms that offer these resources. One of the significant advantages of Introduction To Aircraft Performance Selection And Design books and manuals for download is the cost-saving aspect. Traditional books and manuals can be costly, especially if you need to purchase several of them for educational or professional purposes. By accessing Introduction To Aircraft Performance Selection And Design versions, you eliminate the need to spend money on physical copies. This not only saves you money but also reduces the environmental impact associated with book production and transportation. Furthermore, Introduction To Aircraft Performance Selection And Design books and manuals for download are incredibly convenient. With just a computer or smartphone and an internet connection, you can access a vast library of resources on any subject imaginable. Whether you're a student looking for textbooks, a professional seeking industry-specific manuals, or someone interested in self-improvement, these digital resources provide an efficient and accessible means of acquiring knowledge. Moreover, PDF books and manuals offer a range of benefits compared to other digital formats. PDF files are designed to retain their formatting regardless of the device used to open them. This ensures that the content appears exactly as intended by the author, with no loss of formatting or missing graphics. Additionally, PDF files can be easily annotated, bookmarked, and searched for specific terms, making them highly practical for studying or referencing. When it comes to accessing Introduction To Aircraft Performance Selection And Design books and manuals, several platforms offer an extensive collection of resources. One such platform is Project Gutenberg, a nonprofit organization that provides over 60,000 free eBooks. These books are primarily in the public domain, meaning they can be freely distributed and downloaded. Project Gutenberg offers a wide range of classic literature, making it an excellent resource for literature enthusiasts. Another popular platform for Introduction To Aircraft Performance Selection And Design books and manuals is Open Library. Open Library is an initiative of the Internet Archive, a non-profit organization dedicated to digitizing cultural artifacts and making them accessible to the public. Open Library hosts millions of books, including both

public domain works and contemporary titles. It also allows users to borrow digital copies of certain books for a limited period, similar to a library lending system. Additionally, many universities and educational institutions have their own digital libraries that provide free access to PDF books and manuals. These libraries often offer academic texts, research papers, and technical manuals, making them invaluable resources for students and researchers. Some notable examples include MIT OpenCourseWare, which offers free access to course materials from the Massachusetts Institute of Technology, and the Digital Public Library of America, which provides a vast collection of digitized books and historical documents. In conclusion, Introduction To Aircraft Performance Selection And Design books and manuals for download have transformed the way we access information. They provide a cost-effective and convenient means of acquiring knowledge, offering the ability to access a vast library of resources at our fingertips. With platforms like Project Gutenberg, Open Library, and various digital libraries offered by educational institutions, we have access to an ever-expanding collection of books and manuals. Whether for educational, professional, or personal purposes, these digital resources serve as valuable tools for continuous learning and self-improvement. So why not take advantage of the vast world of Introduction To Aircraft Performance Selection And Design books and manuals for download and embark on your journey of knowledge?

### **FAQs About Introduction To Aircraft Performance Selection And Design Books**

How do I know which eBook platform is the best for me? Finding the best eBook platform depends on your reading preferences and device compatibility. Research different platforms, read user reviews, and explore their features before making a choice. Are free eBooks of good quality? Yes, many reputable platforms offer high-quality free eBooks, including classics and public domain works. However, make sure to verify the source to ensure the eBook credibility. Can I read eBooks without an eReader? Absolutely! Most eBook platforms offer web-based readers or mobile apps that allow you to read eBooks on your computer, tablet, or smartphone. How do I avoid digital eye strain while reading eBooks? To prevent digital eye strain, take regular breaks, adjust the font size and background color, and ensure proper lighting while reading eBooks. What the advantage of interactive eBooks? Interactive eBooks incorporate multimedia elements, quizzes, and activities, enhancing the reader engagement and providing a more immersive learning experience. Introduction To Aircraft Performance Selection And Design is one of the best book in our library for free trial. We provide copy of Introduction To Aircraft Performance Selection And Design in digital format, so the resources that you find are reliable. There are also many Ebooks of related with Introduction To Aircraft Performance Selection And Design. Where to download Introduction To Aircraft Performance Selection And Design online for free? Are you looking for Introduction To Aircraft Performance Selection And Design PDF? This is definitely going to save you time and cash in something you should think about.

**Find Introduction To Aircraft Performance Selection And Design :**

esame di stato psicologia 110 e lode

essay in hindi bal vivah

**example introduction paragraph literary analysis paper**

~~enlarge your penis naturally penis clamping penis pumps penis pills jelqing enlarge your penis step by step guide penis enlargement bigger penis penis stretcher jelqing books~~

**essential asatru walking the path of norse paganism diana l paxson**

~~essentials of business statistics 4th edition solutions manual~~

**exercicios resuvidos fisica 3 young freedman**

everythings an argument with readings 7th edition

*facility layout and location an analytical approach 2nd edition*

**excel 2013 vba and macros mrexcel library**

**exploring science 8e end of unit test answers**

*factors that influence climate answers*

entrepreneurship successfully launching new ventures 4th edition test bank

~~esworkbooks 2011 edunbar~~

~~environmental engineering sanitation by joseph salvato~~

**Introduction To Aircraft Performance Selection And Design :**

textbook of microbiology c p baveja google books - Sep 14 2023

web jan 1 2012 textbook of microbiology paperback jan 01 2017 baveja paperback january 1 2012 by c p baveja author 4 4 4  
4 out of 5 stars 709 ratings

*microbiology baveja text cyberlab sutd edu sg* - Dec 05 2022

web merely said the text of microbiology by cp baveja is universally compatible next any devices to read bd chaurasia s  
human anatomy volume 2 b d chaurasia 2019 05

*textbook of microbiology c p baveja amazon in books* - Mar 08 2023

web medical microbiology with student consu online access 7e pdf download here book of microbiology by c p baveja for for  
medical graduates textbook of microbiology for

**textbook of microbiology for dental students c p baveja** - Dec 25 2021

**cp baveja microbiology free pdf download medico feeds** - Aug 13 2023

web textbook of microbiology paperback 1 january 2021 by c p baveja author 4 4 725 ratings see all formats and editions  
paperback 1 038 00 3 new from 1 038 00 emi

**c p baveja microbiology esource svb com** - Feb 24 2022

*textbook of microbiology 6th edition by c p baveja pdf* - Oct 15 2023

web get textbooks on google play rent and save from the world s largest ebookstore read highlight and take notes across web  
tablet and phone

pdf downloads text book of microbiology by cp baveja - Mar 28 2022

**text and practical microbiology for mlt by c p** - Apr 09 2023

web amazon in buy microbiology cp baveja 6th ed 2018 book online at best prices in india on amazon in read microbiology cp  
baveja 6th ed 2018 book reviews author

**textbook of microbiology by baveja pdf pdf pathology scribd** - Oct 03 2022

web microbiology baveja text practical handbook of microbiology aug 10 2020 practical handbook of microbiology 4th edition  
provides basic clear and concise knowledge and

textbook of microbiology paperback jan 01 2017 baveja - May 10 2023

web microbiology baveja text a textbook of microbiology apr 11 2022 microbiology jun 13 2022 microbiology covers the  
scope and sequence requirements for a single

*free microbiology baveja text* - Jan 26 2022

textbook of microbiology by c p baveja amazon in - Feb 07 2023

web text and practical microbiology for mlt by c p baveja reprint 3 e 2020 quantity add to cart add to wishlist sku  
97889394102675 category 001 wolters kluwer

**download cp baveja text book of microbiology pdf** - Jan 06 2023

web microbiology baveja text koneman s color atlas and textbook of diagnostic microbiology feb 19 2020 now in striking full  
color this seventh edition of koneman s

baveja textbook of microbiology for dental students 6th edition - Nov 23 2021

*cp baveja complete microbiology for mbbs pdf* - Jul 12 2023

web microbiology cp baveja 6th ed 2018 apc 5 0 out of 5 stars an excellent text book reviewed in india on 21 march 2019 an excellent text book the chapters are based on

**microbiology cp baweja pdf pdf scribd** - Jun 11 2023

web baveja cp 2001 textbook of microbiology 7 ananthanarayan and paniker textbook of microbiology 8th edition view pdf text book of microbiology 4th edition has been

**text book of microbiology by cp baveja esource svb** - May 30 2022

web get textbooks on google play rent and save from the world s largest ebookstore read highlight and take notes across web tablet and phone

**microbiology cp baveja 6th ed 2018 amazon in** - Nov 04 2022

web text book of microbiology by cp baveja 7 7 year biochemistry books biochemistry textbooks b est biochemistry books top biochemistry books studying microbiology

**microbiology baveja text cyberlab sutd edu sg** - Aug 01 2022

web c p baveja microbiology 9 9 5th edition book description this is a textbook book of microbiology in this boo article by a k atolkar 104download free pdf of

*microbiology baveja text cyberlab sutd edu sg* - Apr 28 2022

web baveja textbook of microbiology for dental students 6th edition pdfis one of the best book for quick review it is very good book to study a a day before your exam it can also

[text and practical microbiology for mlt by c p baveja reprint](#) - Sep 02 2022

web downloads text book of microbiology by cp baveja forest microbiology feb 03 2023 forest microbiology volume two volume 45 presents a comprehensive reference

**text of microbiology by cp baveja** - Jun 30 2022

web microbiology baveja text basic dental materials dec 22 2021 basic dental materials is the new edition of this extensive guide to materials used in dentistry the book has been

**download microsoft outlook 2016 güncelleştirme kb3191883** - Apr 30 2022

web microsoft outlook 2016 güncelleştirme kb3191883 64 bit sürüm microsoft microsoft outlook 2016 64 bit sürüm için bir güncelleştirme yayımladı bu güncelleştirmede en son microsoft outlook 2016 64 bit sürüm düzeltmeleri sağlanmıştır

**6 temmuz 2021 outlook 2016 güncelleştirme kb5001980 microsoft** - Jan 28 2022

web jul 6 2021 bu makalede 6 temmuz 2021 tarihinde outlook 2016 microsoft outlook 2016 5001980 güncelleştirme açıklanmıştır microsoft İndirme merkezi nde yapılan güncelleştirmenin 2016 nın microsoft installer msi tabanlı sürümü için geçerli olduğunu office office 2016 tıkla Çalıştır sürümleri için geçerli değildir

*microsoft outlook 2016 time savers overdrive* - Jul 14 2023

web feb 10 2019 learn the features of microsoft outlook 2016 that will save you time after purchasing this illustrated guide your inbox time will be less of a hassle and you will be more productive learn how to customize outlook to work for you stop wasting precious time search for commands

**microsoft outlook 2016 time savers kobo com** - Jun 13 2023

web rakuten kobo dan ifs harrison tarafından microsoft outlook 2016 time savers kitabını okuyun do you spend too much time in outlook not after today students in my training classes often tell me how long it takes

1 Şubat 2022 office 2016 güncelleştirmesi kb5002138 microsoft - Dec 27 2021

web dec 1 2022 ekranın sağ kenarından çekin ve ardından ara ya tıklayın fare kullanıyorsanız ekranın sağ alt köşesine gelin ve ara ya tıklayın windows update i girin windows güncelleştirme yi seçin ve sonra yüklü güncelleştirmeler i seçin güncelleştirme listesinde kb5002138 ögesini bulun ve seçin ardından kaldır ı seçin

**microsoft outlook 2016 time savers english editio pdf hipertexto** - Jul 02 2022

web features of microsoft outlook 2016 that will save you time after purchasing this illustrated guide your inbox time will be less of a hassle and you will be more productive

*microsoft outlook 2016 time savers kindle edition amazon com* - Apr 11 2023

web feb 10 2019 microsoft outlook 2016 time savers kindle edition by harrison ifs download it once and read it on your kindle device pc phones or tablets use features like bookmarks note taking and highlighting while reading microsoft outlook 2016

microsoft outlook 2016 time savers by ifs harrison goodreads - Mar 10 2023

web microsoft outlook 2016 time savers book read reviews from world s largest community for readers do you spend too much time in outlook not after today

**microsoft outlook 2016 time savers english editio pdf 2023** - Nov 06 2022

web microsoft outlook 2016 time savers english editio pdf is available in our digital library an online access to it is set as public as a result you can download it instantly

microsoft outlook 2016 time savers english editio pdf pdf - Jan 08 2023

web microsoft outlook 2016 time savers english editio pdf introduction microsoft outlook 2016 time savers english editio pdf pdf

*microsoft outlook 2016 time savers english edition* - Aug 03 2022

web compre microsoft outlook 2016 time savers english edition de harrison ifs na amazon com br confira também os ebooks mais vendidos lançamentos e livros digitais exclusivos microsoft outlook 2016 time savers english edition

**microsoft outlook 2016 time savers english editio ron carson** - Mar 30 2022

web offer it is not with reference to the costs its approximately what you need currently this microsoft outlook 2016 time savers english editio as one of the most enthusiastic sellers here will extremely be along with the best options to review microsoft outlook 365 email calendar and contacts jeff hutchinson 2020 06 13

microsoft outlook 2016 time savers english edition by ifs - Jun 01 2022

web jun 13 2023 response time to download any of our books like this one if you effort to acquire and install the microsoft outlook 2016 time savers english edition by ifs harrison it is totally simple then now we extend the associate to buy and create bargains to download and deploy microsoft outlook 2016 time savers english edition by ifs

update for microsoft outlook 2016 kb5001980 64 bit edition - Feb 26 2022

web microsoft has released an update for microsoft outlook 2016 64 bit edition this update provides the latest fixes to microsoft outlook 2016 64 bit edition additionally this update contains stability and performance improvements

**microsoft outlook 2016 time savers english editio** - Oct 05 2022

web microsoft outlook 2016 time savers english editio microsoft outlook 365 email calendar and contacts working smarter with microsoft outlook small business management launching growing entrepreneurial ventures doing the right things right total workday control using microsoft outlook microsoft word 2016 for mac any

**microsoft outlook 2016 time savers english edition by ifs harrison** - Dec 07 2022

web wang wallace 9781119077374 ec637 microsoft outlook 2016 time savers english edition office 2016 is here jordan times free microsoft office 365 free download free downloads outlook free personal email and calendar from microsoft sherweb your value added cloud solutions provider microsoft office 2011

**microsoft outlook 2016 time savers english edition kindle edition** - Sep 04 2022

web microsoft outlook 2016 time savers english edition ebook harrison ifs amazon de kindle store

change the time zone and language settings in outlook - Aug 15 2023

web sign in to outlook on the web at the top of the page select settings mail under options select general region and time zone under region and time zones settings select the language date and time formats and the time zone you want to use select save

microsoft outlook 2016 time savers harrison ifs amazon com tr - Feb 09 2023

web microsoft outlook 2016 time savers harrison ifs amazon com tr Çerez tercihlerinizi seçin alışveriş deneyiminizi geliştirmek hizmetlerimizi sunmak müşterilerin hizmetlerimizi nasıl kullandığını anlayarak iyileştirmeler yapabilmek ve ilgi alanlarına göre özelleştirilmiş reklamlar da dahil olmak üzere reklamları

microsoft outlook 2016 time savers english edition ebook amazon de - May 12 2023

web microsoft outlook 2016 time savers english edition ebook harrison ifs amazon de kindle shop

**lecture 5 choice under uncertainty kit** - Oct 11 2022

web uncertainty then it is the expected utility which characterizes the preferences the expected utility of an uncertain prospect often called a lottery is defined as the

[choice under uncertainty with diagram economics discussion](#) - Jan 02 2022

web read this article to learn about choice under uncertainty 1 subject matter of choice under uncertainty 2 describing risk of choice under uncertainty 3 preference

**choice under uncertainty chapter 3 political game theory** - Mar 04 2022

web jun 5 2012 these are the basic trade offs underlying the classical theory of choice under uncertainty there are two key elements of this model of uncertainty the first are

[choice under uncertainty springerlink](#) - Feb 03 2022

web facing uncertain outcomes economic theory has predicted choice from the theory of expected utility several variants of which are distinguished 1 a generalized version of

**choice under uncertainty chapter 8 revealed preference** - Dec 13 2022

web jan 5 2016 summary in this chapter we turn to models of choice under uncertainty we consider an agent who makes choices without fully knowing the consequences of those

*choice under uncertainty* - Oct 23 2023

web chapter 6 choice under uncertainty up until now we have been concerned with choice under certainty a consumer chooses which commodity bundle to consume a producer

[choice under uncertainty problems solved and unsolved](#) - Sep 10 2022

web fifteen years ago the theory of choice under uncertainty could be considered one of the success stories of economic analysis it rested on solid axiomatic foundations it had

*the economics of information and choice under uncertainty* - Nov 12 2022

web the economics of information and choice under uncertainty potential parties to an economic exchange often have many common goals but in an important respect they

[2 choice under uncertainty ref mwg chapter 6 rice](#) - Sep 22 2023

web choice under uncertainty ref mwg chapter 6 subjective expected utility theory elements of decision under uncertainty under uncertainty the dm is forced in effect

*choice under uncertainty mcgraw hill education* - Jun 19 2023

web choice under uncertainty click on the menu to the left of this page to view the resources available to you chapter by

chapter resources may be viewed by clicking on the drop

**chapter 6 the economics of information and choice under** - Apr 05 2022

web imperfect information the situation in which consumers face uncertainty when making their consumption decision

rational imperfect information makes it harder to make what

*choice under uncertainty problems solved and unsolved* - Feb 15 2023

web we shall examine the validity of these assumptions for choice under uncertainty in sections 9 4 9 5 and 9 6 however the strongest and most specific implication of the

**choice under uncertainty problems solved and unsolved** - Jul 08 2022

web fifteen years ago the theory of choice under uncertainty could be considered one of the success stories of economic analysis it rested on solid axiomatic foundations it had

**5 choices under uncertainties chapter 6 choices under** - Aug 09 2022

web chapter 6 choices under uncertainties learning outcomes by the end of this chapter and having completed the essential reading and activities you should be able to

three choice under uncertainty oxford academic - Jan 14 2023

web this chapter examines how many important consumption decisions concern choices the consequences of which are uncertain at the time the choice is made it begins with the

**chapter 6** - Mar 16 2023

web chapter outline the economics of information the costly to fake principle the full disclosure principle choice under uncertainty insuring against bad outcomes

chapter 6 choice under uncertainty flashcards quizlet - Jun 07 2022

web chapter 6 choice under uncertainty flashcards learn test match flashcards learn test match created by dd x terms in this set 20 state of the world the outcome of

**readings microeconomic theory i economics mit** - May 18 2023

web mwg chapters 2 and 3 kreps chapters 3 10 and 11 applications of consumer theory mwg chapter 4 6 7 producer theory and monotone methods mwg chapter 5

**choice under uncertainty stanford university** - Jul 20 2023

web choice under uncertainty jonathan levin october 2006 1 introduction virtually every decision is made in the face of uncertainty while we often rely on models of certain

**choice under uncertainty princeton university** - Apr 17 2023

web choice under uncertainty asset pricing theory aims to describe the equilibrium in financial markets where economic

agents interact to trade claims to uncertain future

pdf choice under uncertainty sanam khan academia edu - Dec 01 2021

web chapter 6 choice under uncertainty up until now we have been concerned with choice under certainty a consumer chooses which commodity bundle to consume a producer

**chapter 6 choice under uncertainty and the economics of** - May 06 2022

web the certainty equivalent value of a gamble is the sum of money for which an individual would be indifferent between receiving that sum and taking the gamble principal agent

*intermediate microeconomic theory felix munoz garcia* - Aug 21 2023

web intermediate microeconomic theory tools and step by step examples chapter 6 choice under uncertainty lotteries expected value variance and standard deviation expected