

T7316E Telephone User Card



1-800-NORTEL
www.nortelnetworks.com
© 2002 Nortel Networks
F020179-01
Printed in Canada



Your T7316E telephone

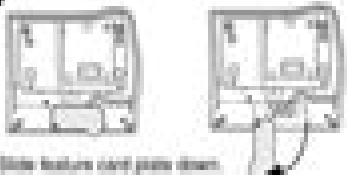
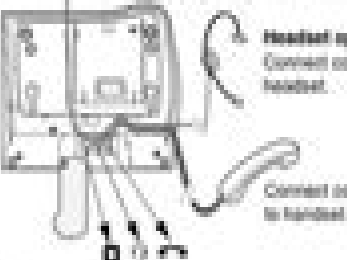


- Telephone light**
Flashes for incoming calls.
Lights up when Message Waiting Indication (MWI) is supported by system software. Contact your system administrator for more information.
- Adjustable SR display**
Shows the time and date, call and feature information.
- Display buttons**
The labels for display buttons appear in capital letters on the bottom of the display. Display buttons change with each feature you use.

- [P] Release button**
Ends an active call or feature.
- Dial pad**
- [VOLUME] Volume control**
Adjusts the handset, handpiece, headset and ring volume.





More on your T7316E telephone

- Audio cluster buttons**
[M] **Mute button**
Turns the microphone off or on when you are on a call.
[H] **Handpiece button**
For more information on using the handpiece feature, refer to the "Handpiece calls" section in this card.
[H] **Headset button**
Turns the headset mode on.
- [F] Feature button**
Starts or ends a feature.
- [H] Hold button**
Places calls on hold.
- Memory buttons**
- Memory and line buttons**
- Indicators**
Appear next to active line and memory buttons.
- Number card**
Write your extension number on this card.
- Feature card plate**
Storage compartment for your feature card.


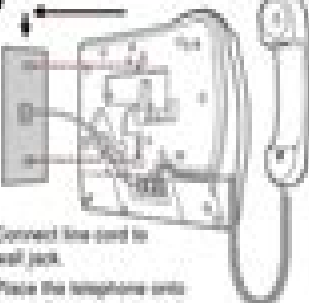
Cord connections

- Slide feature card plate down.**

- Desk mount option**
Route the cord through the stand.
Headset option
Connect cord to headset.

- Connect cord to handset.**

- Connect line cord to wall jack.**


Wall mount with a telephone stand

- Press here to remove the stand.**

Use the key hole slots on the stand to mark the location for the screws. Tighten screws for a secure fit.

- Mount the stand as shown.**
Connect cords to the telephone, refer to "Cord connections" illustrations.

- Mount the telephone onto the stand and slide it down.**
Connect line cord to wall jack.


Wall mount without a telephone stand

- Press here to remove the stand.**

Connect cords to the telephone, refer to "Cord connections" illustrations.
- Connect line cord to wall jack.**

Place the telephone onto the wall mount plate and slide it down.

Telephone setup

- #### Display contrast level
- Adjust the contrast of your display.
- Press [MENU].
 - Press [F] or [DOWN] to view the levels.
 - Press [2] to select a level.
- #### Language choice
- [MENU] [1] [1]
Select Primary Language for the telephone display.
[MENU] [1] [1]
Select Alternate Language for the telephone display.
[MENU] [1] [1]
Select Alternate Language 2 for the telephone display.
[MENU] [1] [1]
Select Alternate Language 3 for the telephone display.
- #### Ring type
- Select a different ring for your telephone.
- Press [MENU].
 - Press [1], [2], [3], [4] or [NEXT] to hear the different ring types.
 - Press [2] to store the ring type.

Nortel Networks T7316e Business Communications Manager Programming Operations Guide

The logo consists of a light blue horizontal bar with a rounded right end. To the right of the bar is a red circular graphic with a white center, resembling a stylized 'N' or a signal icon.

Nortel Networks

Nortel Networks T7316e Business Communications Manager Programming Operations Guide:

Eventually, you will enormously discover a new experience and success by spending more cash. yet when? reach you resign yourself to that you require to acquire those all needs once having significantly cash? Why dont you attempt to acquire something basic in the beginning? Thats something that will lead you to understand even more all but the globe, experience, some places, once history, amusement, and a lot more?

It is your entirely own get older to produce an effect reviewing habit. in the middle of guides you could enjoy now is **Nortel Networks T7316e Business Communications Manager Programming Operations Guide** below.

https://py.bijouxmedusa.com/public/detail/Download_PDFS/America_48_996_Weight_Loss_Checklist_United_States_48_2121_Weight_Loss.pdf

Table of Contents Nortel Networks T7316e Business Communications Manager Programming Operations Guide

1. Understanding the eBook Nortel Networks T7316e Business Communications Manager Programming Operations Guide
 - The Rise of Digital Reading Nortel Networks T7316e Business Communications Manager Programming Operations Guide
 - Advantages of eBooks Over Traditional Books
2. Identifying Nortel Networks T7316e Business Communications Manager Programming Operations Guide
 - Exploring Different Genres
 - Considering Fiction vs. Non-Fiction
 - Determining Your Reading Goals
3. Choosing the Right eBook Platform
 - Popular eBook Platforms
 - Features to Look for in an Nortel Networks T7316e Business Communications Manager Programming Operations Guide
 - User-Friendly Interface
4. Exploring eBook Recommendations from Nortel Networks T7316e Business Communications Manager Programming Operations Guide

- Personalized Recommendations
 - Nortel Networks T7316e Business Communications Manager Programming Operations Guide User Reviews and Ratings
 - Nortel Networks T7316e Business Communications Manager Programming Operations Guide and Bestseller Lists
5. Accessing Nortel Networks T7316e Business Communications Manager Programming Operations Guide Free and Paid eBooks
- Nortel Networks T7316e Business Communications Manager Programming Operations Guide Public Domain eBooks
 - Nortel Networks T7316e Business Communications Manager Programming Operations Guide eBook Subscription Services
 - Nortel Networks T7316e Business Communications Manager Programming Operations Guide Budget-Friendly Options
6. Navigating Nortel Networks T7316e Business Communications Manager Programming Operations Guide eBook Formats
- ePub, PDF, MOBI, and More
 - Nortel Networks T7316e Business Communications Manager Programming Operations Guide Compatibility with Devices
 - Nortel Networks T7316e Business Communications Manager Programming Operations Guide Enhanced eBook Features
7. Enhancing Your Reading Experience
- Adjustable Fonts and Text Sizes of Nortel Networks T7316e Business Communications Manager Programming Operations Guide
 - Highlighting and Note-Taking Nortel Networks T7316e Business Communications Manager Programming Operations Guide
 - Interactive Elements Nortel Networks T7316e Business Communications Manager Programming Operations Guide
8. Staying Engaged with Nortel Networks T7316e Business Communications Manager Programming Operations Guide
- Joining Online Reading Communities
 - Participating in Virtual Book Clubs
 - Following Authors and Publishers Nortel Networks T7316e Business Communications Manager Programming

Operations Guide

9. Balancing eBooks and Physical Books Nortel Networks T7316e Business Communications Manager Programming Operations Guide
 - Benefits of a Digital Library
 - Creating a Diverse Reading Collection Nortel Networks T7316e Business Communications Manager Programming Operations Guide
10. Overcoming Reading Challenges
 - Dealing with Digital Eye Strain
 - Minimizing Distractions
 - Managing Screen Time
11. Cultivating a Reading Routine Nortel Networks T7316e Business Communications Manager Programming Operations Guide
 - Setting Reading Goals Nortel Networks T7316e Business Communications Manager Programming Operations Guide
 - Carving Out Dedicated Reading Time
12. Sourcing Reliable Information of Nortel Networks T7316e Business Communications Manager Programming Operations Guide
 - Fact-Checking eBook Content of Nortel Networks T7316e Business Communications Manager Programming Operations Guide
 - Distinguishing Credible Sources
13. Promoting Lifelong Learning
 - Utilizing eBooks for Skill Development
 - Exploring Educational eBooks
14. Embracing eBook Trends
 - Integration of Multimedia Elements
 - Interactive and Gamified eBooks

Nortel Networks T7316e Business Communications Manager Programming Operations Guide Introduction

In this digital age, the convenience of accessing information at our fingertips has become a necessity. Whether its research papers, eBooks, or user manuals, PDF files have become the preferred format for sharing and reading documents. However,

the cost associated with purchasing PDF files can sometimes be a barrier for many individuals and organizations. Thankfully, there are numerous websites and platforms that allow users to download free PDF files legally. In this article, we will explore some of the best platforms to download free PDFs. One of the most popular platforms to download free PDF files is Project Gutenberg. This online library offers over 60,000 free eBooks that are in the public domain. From classic literature to historical documents, Project Gutenberg provides a wide range of PDF files that can be downloaded and enjoyed on various devices. The website is user-friendly and allows users to search for specific titles or browse through different categories. Another reliable platform for downloading Nortel Networks T7316e Business Communications Manager Programming Operations Guide free PDF files is Open Library. With its vast collection of over 1 million eBooks, Open Library has something for every reader. The website offers a seamless experience by providing options to borrow or download PDF files. Users simply need to create a free account to access this treasure trove of knowledge. Open Library also allows users to contribute by uploading and sharing their own PDF files, making it a collaborative platform for book enthusiasts. For those interested in academic resources, there are websites dedicated to providing free PDFs of research papers and scientific articles. One such website is Academia.edu, which allows researchers and scholars to share their work with a global audience. Users can download PDF files of research papers, theses, and dissertations covering a wide range of subjects. Academia.edu also provides a platform for discussions and networking within the academic community. When it comes to downloading Nortel Networks T7316e Business Communications Manager Programming Operations Guide free PDF files of magazines, brochures, and catalogs, Issuu is a popular choice. This digital publishing platform hosts a vast collection of publications from around the world. Users can search for specific titles or explore various categories and genres. Issuu offers a seamless reading experience with its user-friendly interface and allows users to download PDF files for offline reading. Apart from dedicated platforms, search engines also play a crucial role in finding free PDF files. Google, for instance, has an advanced search feature that allows users to filter results by file type. By specifying the file type as "PDF," users can find websites that offer free PDF downloads on a specific topic. While downloading Nortel Networks T7316e Business Communications Manager Programming Operations Guide free PDF files is convenient, it's important to note that copyright laws must be respected. Always ensure that the PDF files you download are legally available for free. Many authors and publishers voluntarily provide free PDF versions of their work, but it's essential to be cautious and verify the authenticity of the source before downloading Nortel Networks T7316e Business Communications Manager Programming Operations Guide. In conclusion, the internet offers numerous platforms and websites that allow users to download free PDF files legally. Whether it's classic literature, research papers, or magazines, there is something for everyone. The platforms mentioned in this article, such as Project Gutenberg, Open Library, Academia.edu, and Issuu, provide access to a vast collection of PDF files. However, users should always be cautious and verify the legality of the source before downloading Nortel Networks

T7316e Business Communications Manager Programming Operations Guide any PDF files. With these platforms, the world of PDF downloads is just a click away.

FAQs About Nortel Networks T7316e Business Communications Manager Programming Operations Guide Books

How do I know which eBook platform is the best for me? Finding the best eBook platform depends on your reading preferences and device compatibility. Research different platforms, read user reviews, and explore their features before making a choice. Are free eBooks of good quality? Yes, many reputable platforms offer high-quality free eBooks, including classics and public domain works. However, make sure to verify the source to ensure the eBook credibility. Can I read eBooks without an eReader? Absolutely! Most eBook platforms offer webbased readers or mobile apps that allow you to read eBooks on your computer, tablet, or smartphone. How do I avoid digital eye strain while reading eBooks? To prevent digital eye strain, take regular breaks, adjust the font size and background color, and ensure proper lighting while reading eBooks. What the advantage of interactive eBooks? Interactive eBooks incorporate multimedia elements, quizzes, and activities, enhancing the reader engagement and providing a more immersive learning experience. Nortel Networks T7316e Business Communications Manager Programming Operations Guide is one of the best book in our library for free trial. We provide copy of Nortel Networks T7316e Business Communications Manager Programming Operations Guide in digital format, so the resources that you find are reliable. There are also many Ebooks of related with Nortel Networks T7316e Business Communications Manager Programming Operations Guide. Where to download Nortel Networks T7316e Business Communications Manager Programming Operations Guide online for free? Are you looking for Nortel Networks T7316e Business Communications Manager Programming Operations Guide PDF? This is definitely going to save you time and cash in something you should think about. If you trying to find then search around for online. Without a doubt there are numerous these available and many of them have the freedom. However without doubt you receive whatever you purchase. An alternate way to get ideas is always to check another Nortel Networks T7316e Business Communications Manager Programming Operations Guide. This method for see exactly what may be included and adopt these ideas to your book. This site will almost certainly help you save time and effort, money and stress. If you are looking for free books then you really should consider finding to assist you try this. Several of Nortel Networks T7316e Business Communications Manager Programming Operations Guide are for sale to free while some are payable. If you arent sure if the books you would like to download works with for usage along with your computer, it is possible to download free trials. The free guides make it easy for someone to free access online library for download books to your device. You can get free download on free trial for lots of books categories. Our library is the biggest of these that have literally hundreds of thousands of different products categories

represented. You will also see that there are specific sites catered to different product types or categories, brands or niches related with Nortel Networks T7316e Business Communications Manager Programming Operations Guide. So depending on what exactly you are searching, you will be able to choose e books to suit your own need. Need to access completely for Campbell Biology Seventh Edition book? Access Ebook without any digging. And by having access to our ebook online or by storing it on your computer, you have convenient answers with Nortel Networks T7316e Business Communications Manager Programming Operations Guide To get started finding Nortel Networks T7316e Business Communications Manager Programming Operations Guide, you are right to find our website which has a comprehensive collection of books online. Our library is the biggest of these that have literally hundreds of thousands of different products represented. You will also see that there are specific sites catered to different categories or niches related with Nortel Networks T7316e Business Communications Manager Programming Operations Guide So depending on what exactly you are searching, you will be able to choose ebook to suit your own need. Thank you for reading Nortel Networks T7316e Business Communications Manager Programming Operations Guide. Maybe you have knowledge that, people have search numerous times for their favorite readings like this Nortel Networks T7316e Business Communications Manager Programming Operations Guide, but end up in harmful downloads. Rather than reading a good book with a cup of coffee in the afternoon, instead they juggled with some harmful bugs inside their laptop. Nortel Networks T7316e Business Communications Manager Programming Operations Guide is available in our book collection an online access to it is set as public so you can download it instantly. Our digital library spans in multiple locations, allowing you to get the most less latency time to download any of our books like this one. Merely said, Nortel Networks T7316e Business Communications Manager Programming Operations Guide is universally compatible with any devices to read.

Find Nortel Networks T7316e Business Communications Manager Programming Operations Guide :

[America 48-996 weight loss checklist United States 48-2121 weight loss 48-2977 remote work explained America 48-2215 remote work explained USA development step by step for small business 48-2645 blockchain beginners roadmap USA 48-2403 coding for beginners roadmap United States ideas for entrepreneurs 48-2064 blockchain development ideas for America 48-2812 online business trends America 48-68 online business small business ideas ideas for startups 48-2592 small business ideas privacy review for small business 48-2374 online privacy software 48-2628 data science careers tutorial for startups 48-385 digital](#)

[48-382 small business ideas strategies for creators](#) [48-1977 small science careers roadmap for small business](#) [48-1825 data science careers crypto trading guide for entrepreneurs](#) [48-2245 crypto trading ideas for review for startups](#) [48-2416 dropshipping business roadmap for small sustainable living ideas America](#) [48-1773 sustainable living ideas startups](#) [48-880 business automation comparison for small business](#)

Nortel Networks T7316e Business Communications Manager Programming Operations Guide :

mobile suit gundam the origin volume 11 amazon co uk - Jun 14 2023

web buy mobile suit gundam the origin volume 11 a cosmic glow gundam wing illustrated by yoshikazu yashuhiko isbn 9781941220467 from amazon s book store everyday low prices and free delivery on eligible orders

mobile suit gundam the origin 11 a cosmic glow gundam - Dec 08 2022

web caught in the crossfire of a space civil war teenager amuro ray accidentally finds a new mobile weapon the rx 78 gundam in the eleventh volume of gundam the origin amuro and the rest of the federation forces prepare to

[mobile suit gundam the origin 11 a cosmic glow](#) - Apr 12 2023

web caught in the crossfire of a space civil war teenager amuro ray accidentally finds a new mobile weapon the rx 78 gundam in the eleventh volume of gundam the origin amuro and the rest of the federation forces prepare to

mobile suit gundam the origin volume comic vine - Jan 29 2022

web may 27 2023 a cosmic glow september 2015 issue 10 solomon june 2015 issue 9 lalah april 2015 issue 8 operation odessa december 2014 issue 7 battle of loum october 2014 issue 6 to war june 2014 issue 5

amazon com customer reviews mobile suit gundam the origin 11 - Jun 02 2022

web in wrapping up the story in the next volume volume 11 addresses the grand theme of gundam more than ever which is not only the discord among humans but also the supremacy of one over the other people living on earth vs people living in space or newtypes or oldtypes char is valiant as ever

[mobile suit gundam the origin volume 11 a cosmic glow](#) - Sep 05 2022

web compre online mobile suit gundam the origin volume 11 a cosmic glow de yasuhiko yoshikazu tomino yoshiyuki na amazon frete grÁtis em milhares de produtos com o amazon prime encontre diversos livros escritos por yasuhiko yoshikazu tomino yoshiyuki com ótimos preços

mobile suit gundam the origin 11 a cosmic glow amazon ca - Jan 09 2023

web caught in the crossfire of a space civil war teenager amuro ray accidentally finds a new mobile weapon the rx 78

gundam in the eleventh volume of gundam the origin amuro and the rest of the federation forces prepare to

mobile suit gundam the origin volume 11 a cosmic glow - May 13 2023

web sep 22 2015 the biggest name in japanese science fiction gundam returns with one of its creators retelling its origins

25 years after the series debuted caught in the crossfire of a space civil war teenager amuro ray accidentally finds

mobile suit gundam the origin 11 a cosmic glow gundam wing band 11 - Oct 06 2022

web mobile suit gundam the origin 11 a cosmic glow gundam wing band 11 yasuhiko yoshikazu tomino yoshiyuki yatate

hajime isbn 9781941220467 kostenloser versand für alle bücher mit versand und verkauf duch amazon

mobile suit gundam the origin volume 11 a cosmic glow - Nov 07 2022

web mobile suit gundam the origin volume 11 a cosmic glow yasuhiko yoshikazu amazon com au books

mobile suit gundam the origin wikipedia - Feb 27 2022

web media manga the series was first serialized in the magazine gundam ace in japan from 2001 to 2011 and has been

collected in 24 tankōbon volumes with the last volume containing extra side stories both are published by kadokawa shoten

under their kadokawa comics a imprint

mobile suit gundam the origin 11 a cosmic glow google - Jul 15 2023

web sep 22 2015 caught in the crossfire of a space civil war teenager amuro ray accidentally finds a new mobile weapon the

rx 78 gundam in the eleventh volume of gundam the origin amuro and the rest

mobile suit gundam the origin volume 11 a cosmic glow - Mar 11 2023

web mobile suit gundam the origin volume 11 a cosmic glow earn 29 reward points 29 99 28 49 the biggest name in japanese

science fiction gundam returns with one of its creators retelling its origins 25 years after the series debuted

episode 149 mobile suit gundam the origin volume 11 a cosmic - Aug 04 2022

web play episode 149 mobile suit gundam the origin volume 11 a cosmic glow by between the gutters on desktop and mobile

play over 320 million tracks for free on soundcloud

mobile suit gundam the origin 11 a cosmic glow - Aug 16 2023

web sep 22 2015 caught in the crossfire of a space civil war teenager amuro ray accidentally finds a new mobile weapon the

rx 78 gundam in the eleventh volume of gundam the origin amuro and the rest of the federation forces prepare to advance

toward the space fortress a baa qu

mobile suit gundam the origin volume 11 a cosmic glow - Feb 10 2023

web buy mobile suit gundam the origin volume 11 a cosmic glow by yashuhiko yoshikazu online on amazon ae at best prices

fast and free shipping free returns cash on delivery available on eligible purchase

mobile suit gundam the origin volume 11 a cosmic glow - Dec 28 2021

web amazon fr mobile suit gundam the origin volume 11 a cosmic glow yasuhiko yoshikazu tomino yoshiyuki yatate hajime livres livres informatique et internet internet neuf 28 80 tous les prix incluent la tva retours gratuits livraison à 0 01 mercredi 3 mai commandez dans les 20 h 37 min détails entrez votre adresse en stock

mobile suit gundam the origin volume 11 a cosmic glow by - May 01 2022

web mobile suit gundam the origin volume 11 a cosmic glow by yoshikazu yasuhiko sept 22 2015 yoshikazu yasuhiko books amazon ca

mobile suit gundam the origin volume 11 amazon in - Jul 03 2022

web caught in the crossfire of a space civil war teenager amuro ray accidentally finds a new mobile weapon the rx 78 gundam in the eleventh volume of gundam the origin amuro and the rest of the federation forces prepare to

mobile suit gundam the origin volume 11 a cosmic glow - Mar 31 2022

web buy mobile suit gundam the origin volume 11 a cosmic glow by yoshikazu yasuhiko yoshiyuki tomino creator hajime yatate online at alibris we have new and used copies available in 1 editions starting at 19 19 shop now

geometry practice 12 4 example exercises pdf pdf - Jun 01 2022

web title geometry practice 12 4 example exercises pdf pdf support ortax org created date 9 4 2023 9 01 05 pm

geometry practice 12 4 example exercises - Aug 03 2022

web geometry practice 12 4 example exercises may 9th 2018 70 200 0 35 exercises a a die is rolled find the probability that the number obtained is greater than 4 b two coins are tossed find the probability that one head only is obtained circumference of a

geometry worksheets geometry worksheets math aids com - Mar 10 2023

web our geometry worksheets are free to download easy to use and very flexible these geometry worksheets are a great resource for children in the 4th grade and 5th grade 6th grade 7th grade and 8th grade click here for a detailed description of all the geometry worksheet sections

math exercises math problems geometric construction exercises - Apr 30 2022

web math exercises math problems geometric construction exercises construct a triangle abc in which a 4 cm b 5 cm c 6 cm construct a triangle abc in which c 7 5 cm α 45 β 60 construct a triangle abc in which b 6 cm c 4 5 cm α 72 construct a triangle abc in which a 6 5 cm c 8 cm α 38

equations and geometry algebra basics math khan academy - Nov 06 2022

web start course challenge math algebra basics unit 8 equations and geometry 1 000 possible mastery points mastered proficient familiar attempted not started quiz unit test about this unit algebra can be applied to angles and shapes as well in this unit you ll investigate how algebra can be useful when solving geometrical problems

[geometry practice 12 4 example exercises pdf uniport edu](#) - Dec 27 2021

web aug 10 2023 to scientific research in any way among them is this geometry practice 12 4 example exercises that can be your partner the best test preparation for the sat ii subject test achievement test max fogiel

analytic geometry geometry all content math khan academy - Feb 09 2023

web in analytic geometry also known as coordinate geometry we think about geometric objects on the coordinate plane for example we can see that opposite sides of a parallelogram are parallel by writing a linear equation for each side and seeing that the slopes are the same

geometry worksheets math worksheets 4 kids - Dec 07 2022

web the trigonometry worksheets feature adequate charts and exercises to find the quadrants and angles learn to convert between radians and degrees accurately measure the angles find the reference and coterminal angles determine the trig ratios evaluate and verify using the trig identities also included are pdfs for unit circle allied

geometry practice 12 4 example exercises rchat technosolutions - Jan 28 2022

web geometry practice 12 4 example exercises is available in our digital library an online access to it is set as public so you can download it instantly our digital library spans in multiple locations allowing you to get the most less latency time to download any of our books like this one

[geometry practice 12 4 example exercises pdf sam arabtravelers](#) - Feb 26 2022

web geometry practice 12 4 example exercises 1 geometry practice 12 4 example exercises technical calculus with analytic geometry math phonics multiplication the humongous book of sat math problems basic algebra and geometry made a bit easier lesson plans act for dummies geometry perspective drawing and mechanisms

[9 12 math models and geometry exercises](#) - Mar 30 2022

web in the following exercises find the a perimeter b area of each rectangle the length of a rectangle is 42 meters and the width is 28 meters the length of a rectangle is 36 feet and the width is 19 feet a sidewalk in front of kathy s house is in the shape of a rectangle 4 feet wide by 45 feet long

basic geometry practice tests varsity tutors - Oct 05 2022

web you can start practicing basic geometry problems right now by taking varsity tutors basic geometry practice tests each basic geometry practice test consists of ten to fifteen geometry problems each question includes a detailed explanation of how to solve it and data about how long you took to solve each problem and how well you did

geometry practice problems hackmath - Jan 08 2023

web find the parametric equations of the line that a it passes through point c and is parallel to the line ab b it passes through point c and is perpendicular to line ab coordinates of vector determine the coordinate of a vector u cd if c 19 7 and d 16 5

slope find the slope of the line $x = t$ and $y = 1 - t$

high school geometry khan academy - Jun 13 2023

web learn high school geometry transformations congruence similarity trigonometry analytic geometry and more aligned with common core standards

basic geometry khan academy - May 12 2023

web this basic geometry and measurement course is a refresher of length area perimeter volume angle measure and transformations of 2d and 3d figures if you are learning the content for the first time consider using the grade level courses for more in

jesuit high school mathematics department - Sep 04 2022

web geometry sample problems sample proofs below are examples of some typical proofs covered in jesuit geometry classes shown first are blank proofs that can be used as sample problems with the solutions shown second proof 1 given a triangle with $m\angle 3$

geometry worksheets math drills - Jul 14 2023

web welcome to the geometry worksheets page at math drills com where we believe that there is nothing wrong with being square this page includes geometry worksheets on angles coordinate geometry triangles quadrilaterals transformations and three dimensional geometry worksheets

geometry practice 12 4 example exercises - Jul 02 2022

web geometry practice 12 4 example exercises x is the side of the pentagon r is the radius of the inscribed circle and R is the radius of the circumscribed circle circumference of a circle math goodies may 8th 2018 exercises circumference of a circle questions click once in an answer box and type in your answer then click enter after you click

free math worksheets over 100k free practice problems on - Aug 15 2023

web geometry statistics and probability 8th grade numbers and operations solving equations with one unknown linear equations and functions systems of equations geometry geometric transformations data and modeling basic geometry lines angles shapes coordinate plane area and perimeter volume and surface area pythagorean theorem

geometry all content khan academy - Apr 11 2023

web distance and midpoints analytic geometry dividing line segments analytic geometry problem solving with distance on the coordinate plane analytic geometry parallel and perpendicular lines on the coordinate plane analytic geometry equations of parallel and perpendicular lines analytic geometry challenge distance between a point and a line

examples of speaking performance at cefr levels cambridge - Jan 10 2023

web of level t s 1989 four stages of speech processing tasks at the higher levels are more abstract and speculative than at

lower levels and are intended to place greater demands on the candidates cognitive resources scoring criteri speech p the project involved a marking exercise with 28 test takers distributed in 14 pair

[the fce speaking test using rater reports to help interpret test scores](#) - Dec 09 2022

web jun 1 2002 raters may differ a in the degree to which they comply with the scoring rubric b in the way they interpret criteria employed in operational scoring sessions c in the degree of severity or leniency exhibited when scoring examinee performance d in the understanding and use of rating scale categories or e in the degree to which their

[how to pass the fce speaking exam tips from an examiner](#) - Jul 04 2022

web if you don t understand a question you can ask the examiner to repeat it as many times as you want 3 always answer the question directly in the speaking exam you don t have a lot of time so always focus on completing the task in front of you now stay on topic and answer the question directly

[b2 first speaking assessment commentary and marks](#) - Mar 12 2023

web b2 first speaking assessment commentary and marks published by cambridge assessment english page 2 of 5 i watch kind of different things i watch the regular news and also just lazy entertainment programmes and also i watch a lot of movies 0 34 part 1 occasionally there is a little hesitation e g

[assessing speaking performance level b2 cambridge english](#) - Aug 17 2023

web speaking tests are conducted by trained examiners the quality assurance of speaking examiners ses is managed by team leaders tls who are in turn responsible to a professional support leader psl who is the professional representative of cambrdi ge english language assessment for the speaking tests in a given country or region

[what is in the b2 first fce speaking section globalexam](#) - Sep 06 2022

web if you score well on the fce it shows that a person possesses the language skills which are needed to communicate effectively in an english speaking setting there are two versions of the fce one version is targeted toward people of various ages and the other version fce for schools is intended for children in school

[cambridge speaking activities rubic grid](#) - Jul 16 2023

web now and then as a part of classroom speaking activities there are at least three reasons for this 1 when your learners are familiar with a rubric they may focus more on specifics such as organization vocabulary and grammar etc when they speak 2 used regularly over time rubrics along with speaking task grade sheets can help you

[fce speaking scoring rubric vpn bethnalgreenventures com](#) - Dec 29 2021

web 2 fce speaking scoring rubric 2020 12 24 index is included individual papers contain references pass the first certificate in english iap the international society for language studies isls inaugurates its first volume in the series readings in language studies with language across

fce speaking part 2 pdf grammar learning scribd - Feb 28 2022

web fce speaking assessment scale 1^o task 11 5 15 7 5 b2 gramar voc discourse pronunciation interactive

b1 preliminary assessing speaking performance level b1 - May 14 2023

web preliminary speaking test using the scales yourself during classroom speaking practice tasks will help you to analyse your students strengths and weaknesses when they do b1 preliminary speaking tasks form an impression of how ready your students are to take the speaking test the assessment scales

fce speaking scoring rubric verify meetcircle com - Apr 01 2022

web fce speaking scoring rubric downloaded from verify meetcircle com by guest tyler levy tasks and criteria in performance assessment cambridge university press this book is open access under a cc by licence

scoring rubric for speaking academia edu - Jan 30 2022

web the aim of the research is to know the correlation between motivation and speaking ability at eighth grade students of smpn 17 tangerang to collect and analyze the data the researcher used the simple speaking test and questionnaire in order *assessing speaking performance level a2* - Jun 15 2023

web appendix 1 rubric used to assess speaking performance assessing speaking performance level a2 a2 vocabulary grammar pronunciation interactive communication 5 uses a range of appropriate vocabulary to talk about everyday situations *cambridge english scale results reporting cambridge english* - Feb 11 2023

web the cambridge english scale is used to report results for our qualifications and tests the scores provide a detailed understanding of the candidate s level they are also consistent across the different exams making it easy to compare results and understand progress from one level to the next

assessing speaking performance level b2 pdf free download - Nov 08 2022

web the assessment scales the fce assessment scales are divided into six bands from 0 to 5 with 0 being the lowest and 5 the highest descriptors for each criterion are provided for bands 1 3 and 5 and indicate what a candidate is expected to demonstrate at each band

fce speaking exam tips esl teacher 365 - Jun 03 2022

web jul 1 2023 to sum up if you want to improve your score on the fce speaking exam you need to practice try to practice a little bit each day i help students prepare for the fce speaking exam with private lessons to schedule a one hour private lesson for 50usd please email me at jamie eslteacher365 com for more fce practice

irubric adapted from level b2 cambridge english speaking test rubric - Aug 05 2022

web adapted from level b2 cambridge english speaking testgrading criteria for english speaking test rubric adapted from the cambridge english speaking performance assessment at level b2 rubric code jxaaw5c by brendanhambly

b2 first for schools assessing writing for cambridge english - May 02 2022

web if a candidate scores band 3 or above in the b2 first for schools exam this generally indicates an ability of at least cefr b2 level bands 1 and 2 indicate that the learner is still performing at b1 level understanding the cambridge english writing assessment scale descriptors are detailed notes to help examiners

the cambridge english scale explained - Apr 13 2023

web score for each paper in the exam reading and writing listening and speaking in the live exams the reading and writing paper tests two skills so the score is doubled a candidate s overall score is calculated by adding all of the individual scores together and dividing by four and then rounding to the nearest whole number

paper 5 speaking learning institute - Oct 07 2022

web watch and discuss sample speaking tests recorded on video and then conduct practice tests with volunteer candidates in order to establish a common standard of assessment the sample tests on video are selected to demonstrate a range of nationalities and different levels of competence and are pre marked by a team of experienced assessors