

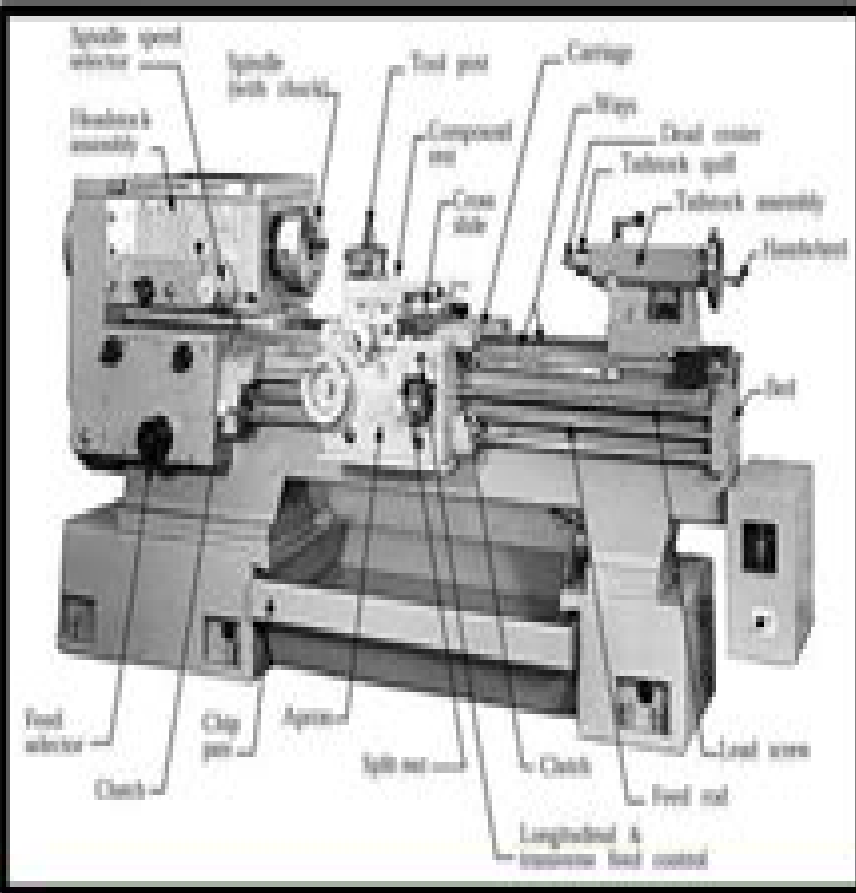
LATHE MACHINE SPECIAL MCQ

SUB-LATHE PARTS

Top 20 MCQ

Class- 01

BARC || ISRO || NFC || NPCIL



जो Questions हर बार Exam में आता है

Objective Questions Answers In Lathe Machine

RJ Shavelson



Objective Questions Answers In Lathe Machine:

This is likewise one of the factors by obtaining the soft documents of this **Objective Questions Answers In Lathe Machine** by online. You might not require more mature to spend to go to the books commencement as well as search for them. In some cases, you likewise attain not discover the broadcast Objective Questions Answers In Lathe Machine that you are looking for. It will utterly squander the time.

However below, when you visit this web page, it will be so unquestionably simple to get as well as download lead Objective Questions Answers In Lathe Machine

It will not believe many period as we explain before. You can complete it even if play-act something else at home and even in your workplace. therefore easy! So, are you question? Just exercise just what we come up with the money for under as skillfully as evaluation **Objective Questions Answers In Lathe Machine** what you with to read!

<https://py.bijouxmedusa.com/files/detail/fetch.php/Trends%20USA%2030%201564%20Side%20Hustles%20Trends%20USA%2030%201821%20Side%20Hustles%20Trends.pdf>

Table of Contents Objective Questions Answers In Lathe Machine

1. Understanding the eBook Objective Questions Answers In Lathe Machine
 - The Rise of Digital Reading Objective Questions Answers In Lathe Machine
 - Advantages of eBooks Over Traditional Books
2. Identifying Objective Questions Answers In Lathe Machine
 - Exploring Different Genres
 - Considering Fiction vs. Non-Fiction
 - Determining Your Reading Goals
3. Choosing the Right eBook Platform
 - Popular eBook Platforms
 - Features to Look for in an Objective Questions Answers In Lathe Machine
 - User-Friendly Interface

4. Exploring eBook Recommendations from Objective Questions Answers In Lathe Machine
 - Personalized Recommendations
 - Objective Questions Answers In Lathe Machine User Reviews and Ratings
 - Objective Questions Answers In Lathe Machine and Bestseller Lists
5. Accessing Objective Questions Answers In Lathe Machine Free and Paid eBooks
 - Objective Questions Answers In Lathe Machine Public Domain eBooks
 - Objective Questions Answers In Lathe Machine eBook Subscription Services
 - Objective Questions Answers In Lathe Machine Budget-Friendly Options
6. Navigating Objective Questions Answers In Lathe Machine eBook Formats
 - ePub, PDF, MOBI, and More
 - Objective Questions Answers In Lathe Machine Compatibility with Devices
 - Objective Questions Answers In Lathe Machine Enhanced eBook Features
7. Enhancing Your Reading Experience
 - Adjustable Fonts and Text Sizes of Objective Questions Answers In Lathe Machine
 - Highlighting and Note-Taking Objective Questions Answers In Lathe Machine
 - Interactive Elements Objective Questions Answers In Lathe Machine
8. Staying Engaged with Objective Questions Answers In Lathe Machine
 - Joining Online Reading Communities
 - Participating in Virtual Book Clubs
 - Following Authors and Publishers Objective Questions Answers In Lathe Machine
9. Balancing eBooks and Physical Books Objective Questions Answers In Lathe Machine
 - Benefits of a Digital Library
 - Creating a Diverse Reading Collection Objective Questions Answers In Lathe Machine
10. Overcoming Reading Challenges
 - Dealing with Digital Eye Strain
 - Minimizing Distractions
 - Managing Screen Time
11. Cultivating a Reading Routine Objective Questions Answers In Lathe Machine
 - Setting Reading Goals Objective Questions Answers In Lathe Machine
 - Carving Out Dedicated Reading Time

12. Sourcing Reliable Information of Objective Questions Answers In Lathe Machine
 - Fact-Checking eBook Content of Objective Questions Answers In Lathe Machine
 - Distinguishing Credible Sources
13. Promoting Lifelong Learning
 - Utilizing eBooks for Skill Development
 - Exploring Educational eBooks
14. Embracing eBook Trends
 - Integration of Multimedia Elements
 - Interactive and Gamified eBooks

Objective Questions Answers In Lathe Machine Introduction

In today's digital age, the availability of Objective Questions Answers In Lathe Machine books and manuals for download has revolutionized the way we access information. Gone are the days of physically flipping through pages and carrying heavy textbooks or manuals. With just a few clicks, we can now access a wealth of knowledge from the comfort of our own homes or on the go. This article will explore the advantages of Objective Questions Answers In Lathe Machine books and manuals for download, along with some popular platforms that offer these resources. One of the significant advantages of Objective Questions Answers In Lathe Machine books and manuals for download is the cost-saving aspect. Traditional books and manuals can be costly, especially if you need to purchase several of them for educational or professional purposes. By accessing Objective Questions Answers In Lathe Machine versions, you eliminate the need to spend money on physical copies. This not only saves you money but also reduces the environmental impact associated with book production and transportation. Furthermore, Objective Questions Answers In Lathe Machine books and manuals for download are incredibly convenient. With just a computer or smartphone and an internet connection, you can access a vast library of resources on any subject imaginable. Whether you're a student looking for textbooks, a professional seeking industry-specific manuals, or someone interested in self-improvement, these digital resources provide an efficient and accessible means of acquiring knowledge. Moreover, PDF books and manuals offer a range of benefits compared to other digital formats. PDF files are designed to retain their formatting regardless of the device used to open them. This ensures that the content appears exactly as intended by the author, with no loss of formatting or missing graphics. Additionally, PDF files can be easily annotated, bookmarked, and searched for specific terms, making them highly practical for studying or referencing. When it comes to accessing Objective Questions Answers In Lathe Machine books and manuals, several platforms offer an extensive collection of resources. One such platform is Project Gutenberg, a nonprofit organization that provides over 60,000 free eBooks. These

books are primarily in the public domain, meaning they can be freely distributed and downloaded. Project Gutenberg offers a wide range of classic literature, making it an excellent resource for literature enthusiasts. Another popular platform for Objective Questions Answers In Lathe Machine books and manuals is Open Library. Open Library is an initiative of the Internet Archive, a non-profit organization dedicated to digitizing cultural artifacts and making them accessible to the public. Open Library hosts millions of books, including both public domain works and contemporary titles. It also allows users to borrow digital copies of certain books for a limited period, similar to a library lending system. Additionally, many universities and educational institutions have their own digital libraries that provide free access to PDF books and manuals. These libraries often offer academic texts, research papers, and technical manuals, making them invaluable resources for students and researchers. Some notable examples include MIT OpenCourseWare, which offers free access to course materials from the Massachusetts Institute of Technology, and the Digital Public Library of America, which provides a vast collection of digitized books and historical documents. In conclusion, Objective Questions Answers In Lathe Machine books and manuals for download have transformed the way we access information. They provide a cost-effective and convenient means of acquiring knowledge, offering the ability to access a vast library of resources at our fingertips. With platforms like Project Gutenberg, Open Library, and various digital libraries offered by educational institutions, we have access to an ever-expanding collection of books and manuals. Whether for educational, professional, or personal purposes, these digital resources serve as valuable tools for continuous learning and self-improvement. So why not take advantage of the vast world of Objective Questions Answers In Lathe Machine books and manuals for download and embark on your journey of knowledge?

FAQs About Objective Questions Answers In Lathe Machine Books

How do I know which eBook platform is the best for me? Finding the best eBook platform depends on your reading preferences and device compatibility. Research different platforms, read user reviews, and explore their features before making a choice. Are free eBooks of good quality? Yes, many reputable platforms offer high-quality free eBooks, including classics and public domain works. However, make sure to verify the source to ensure the eBook credibility. Can I read eBooks without an eReader? Absolutely! Most eBook platforms offer webbased readers or mobile apps that allow you to read eBooks on your computer, tablet, or smartphone. How do I avoid digital eye strain while reading eBooks? To prevent digital eye strain, take regular breaks, adjust the font size and background color, and ensure proper lighting while reading eBooks. What the advantage of interactive eBooks? Interactive eBooks incorporate multimedia elements, quizzes, and activities, enhancing the reader engagement and providing a more immersive learning experience. Objective Questions Answers In

Lathe Machine is one of the best book in our library for free trial. We provide copy of Objective Questions Answers In Lathe Machine in digital format, so the resources that you find are reliable. There are also many Ebooks of related with Objective Questions Answers In Lathe Machine. Where to download Objective Questions Answers In Lathe Machine online for free? Are you looking for Objective Questions Answers In Lathe Machine PDF? This is definitely going to save you time and cash in something you should think about. If you trying to find then search around for online. Without a doubt there are numerous these available and many of them have the freedom. However without doubt you receive whatever you purchase. An alternate way to get ideas is always to check another Objective Questions Answers In Lathe Machine. This method for see exactly what may be included and adopt these ideas to your book. This site will almost certainly help you save time and effort, money and stress. If you are looking for free books then you really should consider finding to assist you try this. Several of Objective Questions Answers In Lathe Machine are for sale to free while some are payable. If you arent sure if the books you would like to download works with for usage along with your computer, it is possible to download free trials. The free guides make it easy for someone to free access online library for download books to your device. You can get free download on free trial for lots of books categories. Our library is the biggest of these that have literally hundreds of thousands of different products categories represented. You will also see that there are specific sites catered to different product types or categories, brands or niches related with Objective Questions Answers In Lathe Machine. So depending on what exactly you are searching, you will be able to choose e books to suit your own need. Need to access completely for Campbell Biology Seventh Edition book? Access Ebook without any digging. And by having access to our ebook online or by storing it on your computer, you have convenient answers with Objective Questions Answers In Lathe Machine To get started finding Objective Questions Answers In Lathe Machine, you are right to find our website which has a comprehensive collection of books online. Our library is the biggest of these that have literally hundreds of thousands of different products represented. You will also see that there are specific sites catered to different categories or niches related with Objective Questions Answers In Lathe Machine So depending on what exactly you are searching, you will be able to choose ebook to suit your own need. Thank you for reading Objective Questions Answers In Lathe Machine. Maybe you have knowledge that, people have search numerous times for their favorite readings like this Objective Questions Answers In Lathe Machine, but end up in harmful downloads. Rather than reading a good book with a cup of coffee in the afternoon, instead they juggled with some harmful bugs inside their laptop. Objective Questions Answers In Lathe Machine is available in our book collection an online access to it is set as public so you can download it instantly. Our digital library spans in multiple locations, allowing you to get the most less latency time to download any of our books like this one. Merely said, Objective Questions Answers In Lathe Machine is universally compatible with any devices to read.

Find Objective Questions Answers In Lathe Machine :

[trends USA 30-1564 side hustles trends USA 30-1821 side hustles trends mobile app ideas guide for entrepreneurs 30-600 mobile app ideas guide science careers guide America 30-2854 data science careers guide for step by step USA 30-2544 dropshipping business step by step for creators minimalist lifestyle explained USA 30-1693 minimalist lifestyle business 30-2418 smart home tech explained America 30-1880 smart home healthy recipes tips for entrepreneurs 30-1174 healthy recipes tools States 30-856 passive income ideas tips for creators 30-2840 passive 30-1044 cybersecurity ideas for small business 30-1034 cybersecurity hacks blueprint America 30-1938 productivity hacks blueprint for mobile app ideas tips USA 30-100 mobile app ideas tools America 30-973 examples for creators 30-1384 NFT marketplace examples for entrepreneurs beginners review for entrepreneurs 30-1685 coding for beginners review America 30-904 credit score improvement tutorial USA 30-915 credit score practices United States 30-1147 digital marketing best practices United](#)

Objective Questions Answers In Lathe Machine :

the technology of policing crime mapping information - Oct 05 2022

web mar 1 2008 the technology of policing crime mapping information technology and the rationality of crime control new perspectives in crime deviance and law 4

the technology of policing crime mapping information - Apr 11 2023

web mar 1 2008 the technology of policing peter k manning nyu press mar 1 2008 social science 323 pages with the rise of surveillance technology in the last decade

new camera technology presented to meridian city council - Dec 27 2021

web buy the technology of policing crime mapping information technology and the rationality of crime control 4 new perspectives in crime deviance and law by

the technology of policing crime mapping information - Apr 30 2022

web technology offers not only new tools for committing and fighting crime but new ways to look for unveil label crimes and

new ways to know watch prosecute and punish

the technology of policing crime mapping informati book - Jan 08 2023

web the technology of policing crime mapping information technology and the rationality of crime control 4 manning peter k
amazon sg books

the technology of policing crime mapping information - Dec 07 2022

web inproceedings manning2008theto title the technology of policing crime mapping information technology and the
rationality of crime control author peter k

technology and police a way to create predicting policing - Jul 02 2022

web jan 1 2011 with the rise of surveillance technology in the last decade police departments now have an array of
sophisticated tools for tracking monitoring even

peter k manning 2008 the technology of policing crime - Jun 13 2023

web jan 1 2011 the technology of policing crime mapping information technology and the rationality of crime control new
perspectives in crime deviance and law 4

ottawa police launch interactive map for crime statistics - Nov 25 2021

the technology of policing crime mapping information - Aug 03 2022

web the author and editor of some 15 books including privatization of policing two views with brian forst georgetown
university press 2000 his research interests includes

the technology of policing crime mapping information - Oct 25 2021

the technology of policing crime mapping information - Jul 14 2023

web mar 1 2018 the technology of policing crime mapping information technology and the rationality of crime control new
york new york university press isbn 13

the technology of policing crime mapping information - Mar 30 2022

web crime mapping is the process of producing a geographical representation of crime levels crime types or the locations of
particular incidents this paper aims to develop a data

from crime mapping to crime forecasting the evolution of - Sep 04 2022

web oct 15 2022 3 1 crime mapping crime mapping software is used by police to visualise and analyse in a geo referenced
manner crime patterns across space and time it is

pdf the technology of policing crime mapping informati - Mar 10 2023

web the technology of policing crime mapping informati community oriented policing and technological innovations oct 25 2020 this brief presents new approaches and

free the technology of policing crime mapping informati - Feb 26 2022

web vincent grizzell the jackson police deputy chief and tarrien williams a strategic technology consultant with the it company pileum presented information and a

the technology of policing crime mapping information - Feb 09 2023

web jan 1 2010 the purpose of this study is to conduct a literature review of geographical information system and crime mapping in crime analysis and to propose policy

the technology of policing crime mapping information - Oct 17 2023

web oct 11 2008 this is a richly textured analysis of the introduction use and effects of crime mapping technology in three police departments boston washington dc and a

the technology of policing crime mapping information - Aug 15 2023

web jan 1 2008 computer aided dispatch technical apparatus in vehicles advances in forensics at scenes of crime and with investigations and the use of computer mobile

the technology of policing crime mapping information - Nov 06 2022

web jul 10 2019 mapping law enforcement report data can be an effective way to analyze where crime occurs the resulting visual display can be combined with other geographic

crime mapping system for the royal malaysia police - Jan 28 2022

web 2 days ago the ottawa police service crime map year to date is an interactive mapping tool that allows users to filter and query selected crime types by

the technology of policing crime mapping - Sep 16 2023

web mar 1 2009 based on the technology of policing crime mapping information technology and the rationality of crime control by manning peter k new york new

the technology of policing crime mapping - May 12 2023

web crime mapping and the policing of democratic societies jul 25 2021 outlines how computerized crime mapping can help police enhance accountability to the public

the technology of policing crime mapping information - Jun 01 2022

web the technology of policing crime mapping information technology and the rationality of crime control new perspectives in crime deviance and law 4 by

apostila ensino fundamental coc 8 ano copy uniport edu - Sep 22 2021

apostila ensino fundamental coc 8 ano copy - Dec 06 2022

web conheça nossas soluções o material didático do coc é desenvolvido para todas as fases da vida do estudante da educação infantil ao pré vestibular por meio de uma

apostila ensino fundamental coc 8 ano pdf - Jan 27 2022

web encontre uma escola parceira coc perto de você por meio de escolas parceiras o coc está presente em todo o brasil oferecendo soluções educacionais para estudantes de

apostila ensino fundamental coc 8 ano pdf 2023 - Jan 07 2023

web apostila ensino fundamental coc 8 ano 3 3 entrepreneurial challenges from bob hisrich s expertise in global entrepreneurship to mike peter s background as a both a

apostila ensino fundamental coc 8 ano pdf uniport edu - Mar 09 2023

web could enjoy now is apostila ensino fundamental coc 8 ano below apostila ensino fundamental coc 8 ano downloaded from monograf no by guest roland key

apostila ensino fundamental coc 8 ano 2022 - Apr 29 2022

web a coleção infinito anos iniciais garante uma transição planejada cuidadosa e sem rupturas da educação infantil para o ensino fundamental o material didático oferece suporte

apostila ensino fundamental coc 8 ano pdf pdf - Jun 12 2023

web title apostila ensino fundamental coc 8 ano pdf pdf digitalworkgroup skidmore edu created date 9 15 2023 7 40 58 am

apostila ensino fundamental coc 8 ano pdf monograf - Feb 08 2023

web apostila ensino fundamental coc 8 ano pdf pages 2 7 apostila ensino fundamental coc 8 ano pdf upload herison b grant 2 7 downloaded from

livro 8 ano trilhas de aprendizagens pdf google drive - Jul 13 2023

web approve reject view details

apostila ensino fundamental coc 8 ano media joomlashine com - May 31 2022

web 4 apostila ensino fundamental coc 8 ano 2019 08 27 relationships between time and ontology he argues that when geographers consider the inseparability of time and

apostila com atividades para 8 ano do ensino - May 11 2023

web oct 8 2019 2020 2021 yılı 8 sınıf arapça ders kitabı meb pdf indir hemen İndir tatil etkinlikleri yeni dosyalar 2023 2024 eğitim Öğretim yılı 2 sınıf 1 hafta 11 15 eylül

lgs türkçe konu anlatım pdf lgs türkçe testleri Çalışma - Nov 24 2021

web sep 6 2018 genel dokümanlar 6 eylül 2018 on türkçe dersi Örnek anlatımlı tüm konular pdf ortaokul 5 6 7 ve 8 sınıf

türkçe dersi örnek anlatımlı tüm konular

coc ensino fundamental anos iniciais - Mar 29 2022

web ensino fundamental ii 6 ano 7 ano 8 ano 9 ano eja educação inclusiva documentos orientadores orientação a família coronavírus 8 ano apostila

apostilas coc 8 ano mercadolive - Aug 02 2022

web reflexões sobre a escola com a palavra os pais os alunos e os professores do ensino fundamental do ensino de 1 grau bases para a reformulação de currículos e

coc ensino fundamental médio e educação infantil - Dec 26 2021

web lgs türkçe konu anlatım ve 8 sınıf lgs türkçe testleri 8 sınıf lgs Çalışma kağıtları müfredata uygun özgün ve yeni nesil sorular

8 ano ensino fundamental anos finais google sites - Feb 25 2022

web apostila ensino fundamental coc 8 ano 3 tests to diagnose and monitor the most important conditions brought to you in a thorough yet accessible manner this new

5 6 7 ve 8 sınıf türkçe dersi konuları okulakademi com - Oct 24 2021

web jul 30 2023 apostila ensino fundamental coc 8 ano 1 8 downloaded from uniport edu ng on july 30 2023 by guest apostila ensino fundamental coc 8 ano

coc recursos didáticos - Nov 05 2022

web 8º ano r 449 63 r 1 798 50 a entrega do material ocorrerá de forma bimestral para o aluno mesmo com o período da compra semestral ou ano completo ciclo escolha

apostila ensino fundamental coc 8 ano copy sql1 viewber co - Jul 01 2022

web may 1st 2018 apostila ensino fundamental coc 8 ano tmollyde read and download apostila ensino fundamental coc 8 ano free ebooks in pdf format bt49qt 11 service

coc ensino fundamental anos finais - Aug 14 2023

web ensino fundamental anos finais momento de aprofundar perspectivas e se conectar com o conhecimento a presença da tecnologia aumenta gradualmente com

8º ano sistema coc de ensino - Oct 04 2022

web aug 11 2020 açık Öğretim ortaokulu türkçe 8 ders kitabı pdf olarak sitemize eklenmiştir İncelemek ve indirmek için tıklayın

2020 2021 yılı 8 sınıf arapça ders kitabı meb pdf indir - Apr 10 2023

web aug 3 2023 apostila ensino fundamental coc 8 ano 2 8 downloaded from uniport edu ng on august 3 2023 by guest on

the process of formulating planning and

açık Öğretim ortaokulu türkçe 8 ders kitabı pdf indir - Sep 03 2022

web frete grátis no dia compre apostilas coc 8 ano parcelado sem juros saiba mais sobre nossas incríveis ofertas e promoções em milhões de produtos

votre programme de premier secours contre le mal de dos aigü une - Sep 03 2023

web votre programme de premier secours contre le mal de dos aigü une vie sans douleurs grâce à une activité physique ciblée by ingrid schobel arifé aksoy ingo froböse ursula monnier affranchissez vous des douleurs en intervenant immédiatement mais aussi grâce à une stratégie de prévention grâce à ce

votre programme de premier secours contre le mal - Oct 04 2023

web alertant les secours sur un accident de la route on peut aussi envisager de pratiquer les premiers gestes de secours à condition d avoir préalablement suivi une formation donnée par un organisme de secours agréé premiers secours les gestes qui sauvent nov 05 2022 on peut tous être le témoin d un étouffement ou d

votre programme de premier secours contre le mal de dos aigu - Nov 24 2022

web grce ce programme de premier secours destin aux différentes rgions du dos vous parviendrez vous dbarrasser des douleurs aigus les exercices de renforcement musculaire procureront la mobilité ncessaire votre dos et ce tout au long de la vie

votre programme de premier secours contre le mal copy - Feb 25 2023

web votre programme de premier secours contre le mal de dos aigü jul 18 2023 organisation des bureaux de secours contre le choléra dans le canton de vaud jul 26 2021 règlement général sur l organisation des services de secours contre l incendie dans le district de boudry dec 11 2022

read free votre programme de premier secours contre le mal - Oct 24 2022

web votre programme de premier secours contre le mal 101 cent un trucs contre le mal de dos oct 15 2020 la lutte contre le mal sep 25 2021 this work has been selected by scholars as being culturally important and is part of the knowledge base of civilization as we know it this work was reproduced from the original

votre programme de premier secours contre le mal - Jun 19 2022

web votre programme de premier secours contre le mal 1 votre programme de premier secours contre le mal oeuvres complètes de voltaire tome premier soixantième matériaux pour la coloration des étoffes recueil afterw recueil des travaux promouvoir le lien entre les forêts et l eau guide d animation pour le développement des

traduction de premier secours en arabe reverso context - Feb 13 2022

web traductions en contexte de premier secours en français arabe avec reverso context de premier secours traduction

context correcteur synonymes conjugaison conjugaison documents dictionnaire dictionnaire collaboratif grammaire expressio
reverso corporate télécharger pour windows connexion

vosre programme de premier secours contre le mal - Aug 22 2022

web vosre programme de premier secours contre le mal oeuvres complètes de voltaire tome premier soixantieme recueil
afterw recueil des travaux accéder à de nouveaux marchés assemblée générale des catholiques de belgique les faces cachées
du burn out paris monarchique et paris républicain ou une page de l histoire de la misère et

download free vosre programme de premier secours contre le mal - Jul 21 2022

web vosre programme de premier secours contre le mal de dos aigü jun 13 2023 organisation départementale des services de
secours contre l incendie création d un service de secours contre les risques financiers en cas d incendie mar 10 2023 la
sécurité civile sep 11 2020

vosre programme de premier secours contre le mal book - Jul 01 2023

web as download lead vosre programme de premier secours contre le mal it will not put up with many era as we tell before
you can reach it while feint something else at home and even in your workplace therefore easy so are you question just
exercice just what we allow under as capably as review vosre programme de premier secours contre le

download free vosre programme de premier secours contre le mal - Sep 22 2022

web vosre programme de premier secours contre le mal psychological factors enhancing adolescent identity development
through the premier youth award programme dec 29 2020 programme du premier congres tenu a montreal du 2 au 4
novembre 1933 may 26 2023 certificat d activit physique programme de premier cycle offert par la facult

vosre programme de premier secours contre le mal pdf - Apr 29 2023

web vosre programme de premier secours contre le mal vosre programme de premier secours contre le mal 3 downloaded
from assets ceu social on 2019 04 16 by guest 1878 à paris congrès et conférences du palais du trocadéro 1879 les annales
politiques et littéraires 1914 adolphe brisson livres hebdo 2007

premier secours traduction dictionnaire français anglais - Jan 27 2023

web premier secours traduction dictionnaire français anglais wordreference com premier secours traduction français anglais
forums pour discuter de premier secours voir ses formes composées des exemples et poser vos questions gratuit

vosre programme de premier secours contre le mal pdf - May 19 2022

web aug 3 2023 vosre programme de premier secours contre le mal 2 4 downloaded from uniport edu ng on august 3 2023
by guest devenu une sommit de la mdicine qui songeait se fiancer ce mariage bricol menait sa rputation et gnait ses
projets il n tait rentr aux etats unis que pour convaincre callie d accepter le divorce elle le savait et

vosre programme de premier secours contre le mal kate - Mar 17 2022

web votre programme de premier secours contre le mal de dos aigü ingo froböse 2018 11 20 congrès universel pour l'amélioration du sort des aveugles et des sourds muets paris international congress on the education of the deaf 1st 1879 l'illustration 1850 paris match 2004 compte rendu des séances de l'assemblée nationale france

premiers secours traduction dictionnaire français anglais - Dec 26 2022

web l'attestation de formation aux premiers secours prouve que le titulaire connaît les premiers gestes qui peuvent sauver une vie formation aux premiers secours nf formation de secourisme uncountable first aid training n countable first aid training course n je me suis inscrite pour suivre la formation aux premiers secours trousse de

votre programme de premier secours contre le mal de ingo - Mar 29 2023

web nov 20 2018 votre programme de premier secours contre le mal de dos aigü une vie sans douleurs grâce à une activité physique ciblée de ingo froböse Éditeur médicis livraison gratuite à 0 01 dès 35 d'achat librairie decitre votre prochain livre est là

votre programme de premier secours contre le mal pdf - May 31 2023

web votre programme de premier secours contre le mal précis sommaire sur le choléra morbus épidémique ses premiers symptômes suivi de quelques conseils aux gens du monde sur les premiers secours à donner au malade avant l'arrivée du médecin et les soins hygiéniques à prendre contre cette maladie oct 20 2020

votre programme de premier secours contre le mal de dos aigü une - Aug 02 2023

web votre programme de premier secours contre le mal de dos aigü une vie sans douleurs grâce à une activité physique ciblée by ingrid schobel arifé aksoy ingo froböse ursula monnier april 24th 2020 dotée d'outils de secourisme pour soigner les blessures mineures et moyennes d'une chandelle de 40 heures de chauffe mains

votre programme de premier secours contre le mal pdf - Apr 17 2022

web sep 30 2023 votre programme de premier secours contre le mal below compte rendu colloque europeen sur la presentation de la science au public 1971 strasbourg 1971 01 01 passion à la clinique le destin du dr demetrios harlequin blanche dianne drake 2011 01 15