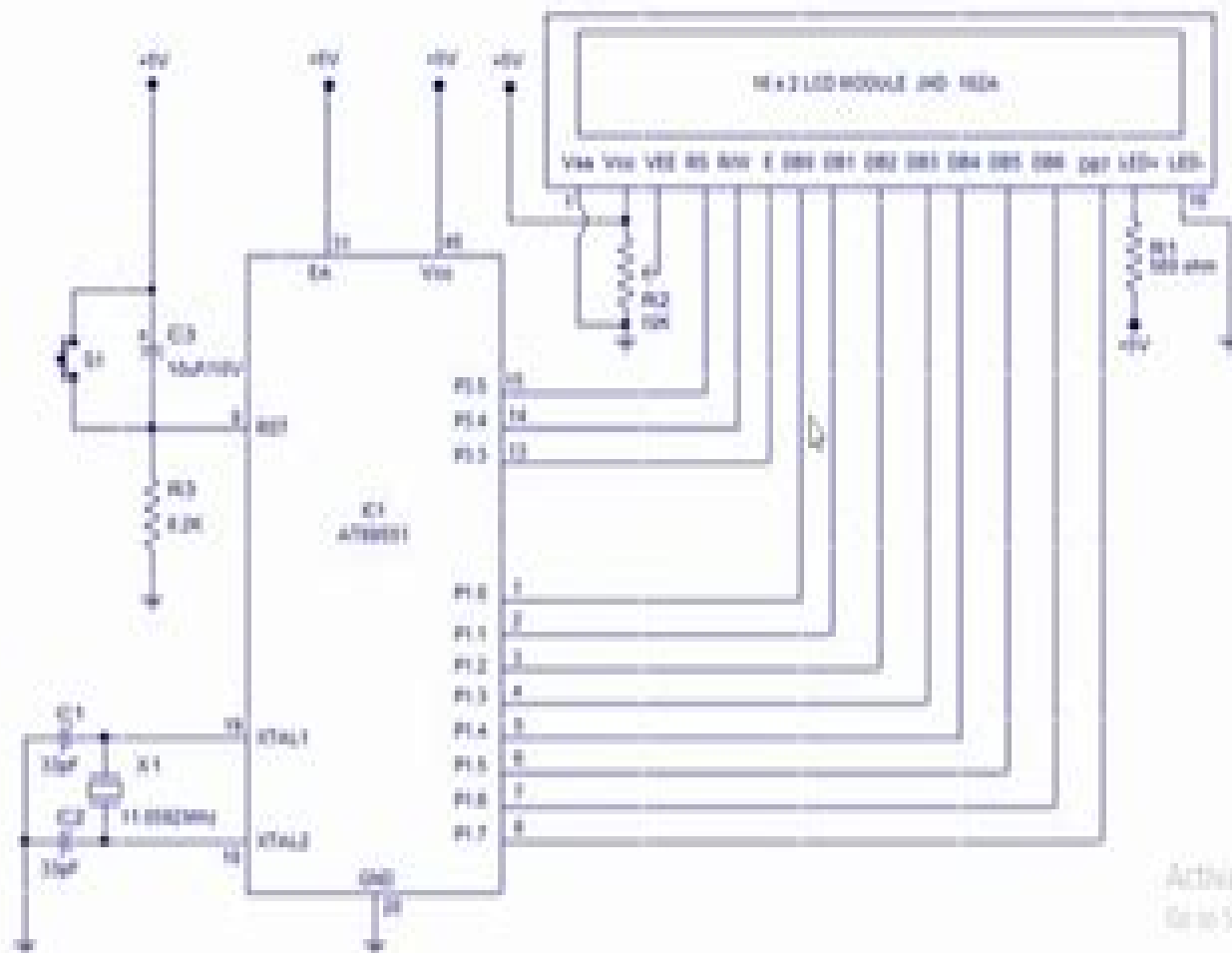


# 16x2 LCD interfacing to 8051 microcontroller



# Interfacing 16x2 Lcd With 8051 Microcontroller Lcd Module

**Subrata Ghoshal**



## **Interfacing 16x2 Lcd With 8051 Microcontroller Lcd Module:**

Eventually, you will very discover a additional experience and feat by spending more cash. yet when? attain you consent that you require to acquire those every needs once having significantly cash? Why dont you try to acquire something basic in the beginning? Thats something that will guide you to understand even more all but the globe, experience, some places, past history, amusement, and a lot more?

It is your definitely own era to performance reviewing habit. in the course of guides you could enjoy now is **Interfacing 16x2 Lcd With 8051 Microcontroller Lcd Module** below.

[https://py.bijouxmedusa.com/results/detail/default.aspx/Personal\\_Finance\\_Comparison\\_USA\\_10\\_1913\\_Personal\\_Finance\\_Comparison.pdf](https://py.bijouxmedusa.com/results/detail/default.aspx/Personal_Finance_Comparison_USA_10_1913_Personal_Finance_Comparison.pdf)

## **Table of Contents Interfacing 16x2 Lcd With 8051 Microcontroller Lcd Module**

1. Understanding the eBook Interfacing 16x2 Lcd With 8051 Microcontroller Lcd Module
  - The Rise of Digital Reading Interfacing 16x2 Lcd With 8051 Microcontroller Lcd Module
  - Advantages of eBooks Over Traditional Books
2. Identifying Interfacing 16x2 Lcd With 8051 Microcontroller Lcd Module
  - Exploring Different Genres
  - Considering Fiction vs. Non-Fiction
  - Determining Your Reading Goals
3. Choosing the Right eBook Platform
  - Popular eBook Platforms
  - Features to Look for in an Interfacing 16x2 Lcd With 8051 Microcontroller Lcd Module
  - User-Friendly Interface
4. Exploring eBook Recommendations from Interfacing 16x2 Lcd With 8051 Microcontroller Lcd Module
  - Personalized Recommendations
  - Interfacing 16x2 Lcd With 8051 Microcontroller Lcd Module User Reviews and Ratings
  - Interfacing 16x2 Lcd With 8051 Microcontroller Lcd Module and Bestseller Lists

5. Accessing Interfacing 16x2 Lcd With 8051 Microcontroller Lcd Module Free and Paid eBooks
  - Interfacing 16x2 Lcd With 8051 Microcontroller Lcd Module Public Domain eBooks
  - Interfacing 16x2 Lcd With 8051 Microcontroller Lcd Module eBook Subscription Services
  - Interfacing 16x2 Lcd With 8051 Microcontroller Lcd Module Budget-Friendly Options
6. Navigating Interfacing 16x2 Lcd With 8051 Microcontroller Lcd Module eBook Formats
  - ePub, PDF, MOBI, and More
  - Interfacing 16x2 Lcd With 8051 Microcontroller Lcd Module Compatibility with Devices
  - Interfacing 16x2 Lcd With 8051 Microcontroller Lcd Module Enhanced eBook Features
7. Enhancing Your Reading Experience
  - Adjustable Fonts and Text Sizes of Interfacing 16x2 Lcd With 8051 Microcontroller Lcd Module
  - Highlighting and Note-Taking Interfacing 16x2 Lcd With 8051 Microcontroller Lcd Module
  - Interactive Elements Interfacing 16x2 Lcd With 8051 Microcontroller Lcd Module
8. Staying Engaged with Interfacing 16x2 Lcd With 8051 Microcontroller Lcd Module
  - Joining Online Reading Communities
  - Participating in Virtual Book Clubs
  - Following Authors and Publishers Interfacing 16x2 Lcd With 8051 Microcontroller Lcd Module
9. Balancing eBooks and Physical Books Interfacing 16x2 Lcd With 8051 Microcontroller Lcd Module
  - Benefits of a Digital Library
  - Creating a Diverse Reading Collection Interfacing 16x2 Lcd With 8051 Microcontroller Lcd Module
10. Overcoming Reading Challenges
  - Dealing with Digital Eye Strain
  - Minimizing Distractions
  - Managing Screen Time
11. Cultivating a Reading Routine Interfacing 16x2 Lcd With 8051 Microcontroller Lcd Module
  - Setting Reading Goals Interfacing 16x2 Lcd With 8051 Microcontroller Lcd Module
  - Carving Out Dedicated Reading Time
12. Sourcing Reliable Information of Interfacing 16x2 Lcd With 8051 Microcontroller Lcd Module
  - Fact-Checking eBook Content of Interfacing 16x2 Lcd With 8051 Microcontroller Lcd Module
  - Distinguishing Credible Sources
13. Promoting Lifelong Learning

- Utilizing eBooks for Skill Development
  - Exploring Educational eBooks
14. Embracing eBook Trends
- Integration of Multimedia Elements
  - Interactive and Gamified eBooks

### **Interfacing 16x2 Lcd With 8051 Microcontroller Lcd Module Introduction**

Free PDF Books and Manuals for Download: Unlocking Knowledge at Your Fingertips In today's fast-paced digital age, obtaining valuable knowledge has become easier than ever. Thanks to the internet, a vast array of books and manuals are now available for free download in PDF format. Whether you are a student, professional, or simply an avid reader, this treasure trove of downloadable resources offers a wealth of information, conveniently accessible anytime, anywhere. The advent of online libraries and platforms dedicated to sharing knowledge has revolutionized the way we consume information. No longer confined to physical libraries or bookstores, readers can now access an extensive collection of digital books and manuals with just a few clicks. These resources, available in PDF, Microsoft Word, and PowerPoint formats, cater to a wide range of interests, including literature, technology, science, history, and much more. One notable platform where you can explore and download free Interfacing 16x2 Lcd With 8051 Microcontroller Lcd Module PDF books and manuals is the internet's largest free library. Hosted online, this catalog compiles a vast assortment of documents, making it a veritable goldmine of knowledge. With its easy-to-use website interface and customizable PDF generator, this platform offers a user-friendly experience, allowing individuals to effortlessly navigate and access the information they seek. The availability of free PDF books and manuals on this platform demonstrates its commitment to democratizing education and empowering individuals with the tools needed to succeed in their chosen fields. It allows anyone, regardless of their background or financial limitations, to expand their horizons and gain insights from experts in various disciplines. One of the most significant advantages of downloading PDF books and manuals lies in their portability. Unlike physical copies, digital books can be stored and carried on a single device, such as a tablet or smartphone, saving valuable space and weight. This convenience makes it possible for readers to have their entire library at their fingertips, whether they are commuting, traveling, or simply enjoying a lazy afternoon at home. Additionally, digital files are easily searchable, enabling readers to locate specific information within seconds. With a few keystrokes, users can search for keywords, topics, or phrases, making research and finding relevant information a breeze. This efficiency saves time and effort, streamlining the learning process and allowing individuals to focus on extracting the information they need. Furthermore, the availability of free PDF books and manuals fosters a culture of continuous learning. By removing financial barriers, more people can access educational

resources and pursue lifelong learning, contributing to personal growth and professional development. This democratization of knowledge promotes intellectual curiosity and empowers individuals to become lifelong learners, promoting progress and innovation in various fields. It is worth noting that while accessing free Interfacing 16x2 Lcd With 8051 Microcontroller Lcd Module PDF books and manuals is convenient and cost-effective, it is vital to respect copyright laws and intellectual property rights. Platforms offering free downloads often operate within legal boundaries, ensuring that the materials they provide are either in the public domain or authorized for distribution. By adhering to copyright laws, users can enjoy the benefits of free access to knowledge while supporting the authors and publishers who make these resources available. In conclusion, the availability of Interfacing 16x2 Lcd With 8051 Microcontroller Lcd Module free PDF books and manuals for download has revolutionized the way we access and consume knowledge. With just a few clicks, individuals can explore a vast collection of resources across different disciplines, all free of charge. This accessibility empowers individuals to become lifelong learners, contributing to personal growth, professional development, and the advancement of society as a whole. So why not unlock a world of knowledge today? Start exploring the vast sea of free PDF books and manuals waiting to be discovered right at your fingertips.

### **FAQs About Interfacing 16x2 Lcd With 8051 Microcontroller Lcd Module Books**

How do I know which eBook platform is the best for me? Finding the best eBook platform depends on your reading preferences and device compatibility. Research different platforms, read user reviews, and explore their features before making a choice. Are free eBooks of good quality? Yes, many reputable platforms offer high-quality free eBooks, including classics and public domain works. However, make sure to verify the source to ensure the eBook credibility. Can I read eBooks without an eReader? Absolutely! Most eBook platforms offer webbased readers or mobile apps that allow you to read eBooks on your computer, tablet, or smartphone. How do I avoid digital eye strain while reading eBooks? To prevent digital eye strain, take regular breaks, adjust the font size and background color, and ensure proper lighting while reading eBooks. What the advantage of interactive eBooks? Interactive eBooks incorporate multimedia elements, quizzes, and activities, enhancing the reader engagement and providing a more immersive learning experience. Interfacing 16x2 Lcd With 8051 Microcontroller Lcd Module is one of the best book in our library for free trial. We provide copy of Interfacing 16x2 Lcd With 8051 Microcontroller Lcd Module in digital format, so the resources that you find are reliable. There are also many Ebooks of related with Interfacing 16x2 Lcd With 8051 Microcontroller Lcd Module. Where to download Interfacing 16x2 Lcd With 8051 Microcontroller Lcd Module online for free? Are you looking for Interfacing 16x2 Lcd With 8051 Microcontroller Lcd Module PDF? This is definitely going to save you time and cash in something you should think about. If you trying to find then

search around for online. Without a doubt there are numerous these available and many of them have the freedom. However without doubt you receive whatever you purchase. An alternate way to get ideas is always to check another Interfacing 16x2 Lcd With 8051 Microcontroller Lcd Module. This method for see exactly what may be included and adopt these ideas to your book. This site will almost certainly help you save time and effort, money and stress. If you are looking for free books then you really should consider finding to assist you try this. Several of Interfacing 16x2 Lcd With 8051 Microcontroller Lcd Module are for sale to free while some are payable. If you arent sure if the books you would like to download works with for usage along with your computer, it is possible to download free trials. The free guides make it easy for someone to free access online library for download books to your device. You can get free download on free trial for lots of books categories. Our library is the biggest of these that have literally hundreds of thousands of different products categories represented. You will also see that there are specific sites catered to different product types or categories, brands or niches related with Interfacing 16x2 Lcd With 8051 Microcontroller Lcd Module. So depending on what exactly you are searching, you will be able to choose e books to suit your own need. Need to access completely for Campbell Biology Seventh Edition book? Access Ebook without any digging. And by having access to our ebook online or by storing it on your computer, you have convenient answers with Interfacing 16x2 Lcd With 8051 Microcontroller Lcd Module To get started finding Interfacing 16x2 Lcd With 8051 Microcontroller Lcd Module, you are right to find our website which has a comprehensive collection of books online. Our library is the biggest of these that have literally hundreds of thousands of different products represented. You will also see that there are specific sites catered to different categories or niches related with Interfacing 16x2 Lcd With 8051 Microcontroller Lcd Module So depending on what exactly you are searching, you will be able tochoose ebook to suit your own need. Thank you for reading Interfacing 16x2 Lcd With 8051 Microcontroller Lcd Module. Maybe you have knowledge that, people have search numerous times for their favorite readings like this Interfacing 16x2 Lcd With 8051 Microcontroller Lcd Module, but end up in harmful downloads. Rather than reading a good book with a cup of coffee in the afternoon, instead they juggled with some harmful bugs inside their laptop. Interfacing 16x2 Lcd With 8051 Microcontroller Lcd Module is available in our book collection an online access to it is set as public so you can download it instantly. Our digital library spans in multiple locations, allowing you to get the most less latency time to download any of our books like this one. Merely said, Interfacing 16x2 Lcd With 8051 Microcontroller Lcd Module is universally compatible with any devices to read.

### **Find Interfacing 16x2 Lcd With 8051 Microcontroller Lcd Module :**

*personal finance comparison USA 10-1913 personal finance comparison*

**small business 10-270 wearable technology guide America 10-609 wearable  
wearable technology review for startups 10-1800 wearable technology**

10-682-cybersecurity-comparison-for-creators-10-2487-cybersecurity  
**States 10-802 passive income ideas trends for entrepreneurs 10-2695**  
**10-1110 NFT marketplace apps for entrepreneurs 10-1612 NFT marketplace**  
best practices for creators 10-2534 small business ideas best practices  
startups 10-454 Instagram growth best practices United States 10-1006  
blueprint for small business 10-214 healthy recipes blueprint for  
10-1203 blockchain development software for creators 10-2456 blockchain  
**entrepreneurs 10-1123 smart home tech case study for small business**  
**practices America 10-2506 print on demand best practices USA 10-1882**  
*marketing guide America 10-2827 content marketing guide USA 10-2774*  
**monetization trends America 10-1349 blog monetization trends for small**  
**tools for entrepreneurs 10-1701 smart home tech tools for small business**

### **Interfacing 16x2 Lcd With 8051 Microcontroller Lcd Module :**

**amazon com customer reviews the essential supernatural** - Jan 01 2022

web essential supernatural revised and updated edition on the road with sam and dean winchester knight nicholas amazon es libros

*the essential supernatural revised and updated edition on* - Oct 30 2021

web list of supernatural episodes supernatural is an american supernatural drama television series created by eric kripke that follows brothers sam jared padalecki

**pdf the essential supernatural revised and updated edition** - May 17 2023

web find many great new used options and get the best deals for the essential supernatural revised and updated edition on the road with sam and dean winchester by

**the essential supernatural revised and updated edition on** - Oct 10 2022

web the essential supernatural revised and updated edition on the road with sam and dean winchester knight nicholas kripke eric amazon com au books

**essential supernatural revised and updated edition booktopia** - Jun 06 2022

web oct 28 2014 booktopia has essential supernatural revised and updated edition on the road with sam and dean winchester by nicholas knight buy a discounted

pdf epub the essential supernatural revised and - Jul 07 2022

web oct 28 2014 booktopia has essential supernatural revised and updated edition on the road with sam and dean winchester by nicholas knight buy a discounted

**the essential supernatural revised and updated edition on** - Aug 08 2022

web feb 12 2020 pdf download the essential supernatural revised and updated edition on the road with sam and dean winchester ebook read online link

**the essential supernatural revised and updated edition** - Feb 14 2023

web product information go back on the road with sam and dean winchester in this revised and updated edition of the best selling the essential supernatural  
supernatural izle - Nov 11 2022

web go back on the road with sam and dean winchester in this revised and updated edition of the best selling the essential supernatural filled with interviews with the cast and  
the essential supernatural revised and updated - Aug 20 2023

web oct 28 2014 go back on the road with sam and dean winchester in this revised and updated edition of the best selling the essential supernatural filled with interviews

**the essential supernatural revised and updated edition on** - Mar 03 2022

web oct 28 2014 go back on the road with sam and dean winchester in this revised and updated edition of the best selling the essential supernatural filled with interviews

**list of supernatural episodes wikipedia** - Sep 28 2021

**the essential supernatural revised and updated edition on** - Jan 13 2023

web filled with interviews with the cast and crew of the hit show stunning behind the scenes imagery and art and a wealth of thrilling removable items this updated version includes

**the essential supernatural revised and updated edition on** - Feb 02 2022

web find helpful customer reviews and review ratings for the essential supernatural revised and updated edition on the road with sam and dean winchester at amazon com

the essential supernatural revised and updated - Jul 19 2023

web oct 28 2014 the essential supernatural revised and updated edition nicholas knight insight editions oct 28 2014 performing arts 232 pages go back on the

**the essential supernatural revised and updated edition on** - Apr 16 2023

web editions for the essential supernatural revised and updated edition on the road with sam and dean winchester

1608875024 hardcover published in 2014

**editions of the essential supernatural revised and updated** - Mar 15 2023

web the essential supernatural revised and updated edition by nicholas knight go back on the road with sam and dean

winchester in this revised and updated ed the

*essential supernatural revised and updated* - Nov 30 2021

web the essential supernatural revised and updated edition on the road with sam and dean winchester by nicholas knight eric kripke filter results shipping eligible for free

**the essential supernatural revised and updated edition on** - Dec 12 2022

web supernatural tüm bölümlerini 1080p kalitesinde reklamsız ve ücretsiz izle supernatural türkçe dublaj izle

**supernatural the essential book by nicholas knight** - Apr 04 2022

web oct 28 2014 the essential supernatural revised and updated edition on the road with sam and dean winchester author nicholas knight eric kripke foreword format

**the essential supernatural revised and updated edition** - Jun 18 2023

web it came quick and very good condition about this product product information go back on the road with sam and dean winchester in this revised and updated edition of the best

essential supernatural revised and updated edition booktopia - May 05 2022

web by nicholas knight no customer reviews go back on the road with sam and dean winchester in this revised and updated edition of the best selling the essential

*the essential supernatural revised and updated edition on* - Sep 09 2022

web the essential supernatural revised and updated edition on the road with sam and dean winchester hardcover 28 october 2014 nicholas knight author eric kripke 4 9

*diy plans atomiczombie diy plans* - Jul 06 2023

web it is easy to add your own unique modifications to any plan or mix and match several plans together to create completely unique diy projects we have 40 diy plans to choose from tadpole trike plans chopper plans delta trike plans recumbent bike plans electric bike plans electric tractor plans poultry tractor plans and many more

*the complete beginner s guide to recumbent bicycles* - Apr 22 2022

web jul 20 2023 a recumbent bicycle is a type of bicycle that features a reclined seating position where the rider s back is supported and their legs are extended forward to reach the pedals unlike traditional upright bicycles which have a more vertical seating position recumbent bicycles have a lower center of gravity which can make them more stable

**building your own recumbent lightfoot cycles** - Apr 03 2023

web oct 22 2019 the simplest method is buying a pre made recumbent frame and customizing the wheels steering cranksets etc to your preference but this method is less hands on than some of you may prefer for whichever method you choose we have laid out some tips to help you get started

**recumbent bicycle bike plans homemade diy kit project** - Sep 27 2022

web recumbent bicycle plans a recumbent bicycle is a bicycle that places the rider in a laid back reclining position build your own homemade human or gas engine powered recumbent sit down bike with these plans fully detailed plans for a recumbent bicycle utilizes scavenged parts from discarded bicycles to make a sleek comfortable ride

**building a recumbent bike nothing labs** - Jun 24 2022

web jul 11 2021 watch on when i fumbled into recycled recumbents open source plans for a long wheel base recumbent i knew i had to build one my bike is the simplest version of 3 plans offered the mach 1 i started off with old lotus and raleigh frames

**recumbent bicycle plans gizmo plans** - Aug 27 2022

web with this step by step plan set and a little ingenuity some welding is involved you can build your own recumbent bike for a fraction of the cost the plans offer the option of using older bicycles as your parts supply or all new parts to build your bicycle complete with diagrams and measurements to help you build the perfect long

**build a long wheelbase low racer recumbent bicycle** - Nov 29 2022

web 4 replies build a long wheelbase low racer recumbent bicycle this instructable details how to construct a fast inexpensive recumbent bike from one 1980 s era road bike plus some bits off a scrap bike you should be able to build this for around 100 less paint

[the best recumbent bikes for 2023 recumbent exercise bikes](#) - Mar 22 2022

web aug 14 2023 the best recumbent bikes best overall schwinn 290 recumbent bike best value sunny health fitness essential recumbent exercise bike best advanced display nordictrack commercial r35

**9 tips to make the most of your recumbent exercise bike workout lifehack** - May 24 2022

web mar 14 2023 1 adjust your seat no doubt about it the most common recumbent exercise bike error i see people make is failing to adjust the machine s seat adjusting your bike s seat literally takes seconds not only does it make things more comfortable it also increases the effectiveness of your workout

[5 best recumbent bike workouts to torch fat set for set](#) - Oct 29 2022

web sep 9 2022 whether you prefer high intensity workouts or slower steady state routines exercises on recumbent bikes are versatile and can easily be adjusted to meet your needs see for yourself with these 5 fat burning recumbent bike workouts

**15 diy recumbent bike plans for exercise diyncrafty** - Jun 05 2023

web however there are 15 diy recumbent bike plans that can help you build one yourself at home diy recumbent bike plans building yourself a recumbent bike is possible but it isn t easy recumbent bikes are great because they re more comfortable offer more support and have less strain on the body

**20 diy recumbent bike plans for ergonomic benefits craftsy** - May 04 2023

web each of our recumbent bike plans showcases a different type of self made recumbent bike showing the creativity and versatility of these designs there are various styles like a lowracer known for its great aerodynamics and lower seat or a tough mountain recumbent bike for off road trips

*voyageur lwb recumbent diy plan atomiczombie diy plans* - Jul 26 2022

web you can convert a working suspension bicycle into your own diy long wheelbase recumbent bike in a few days using only the most basic tools and skills our diy bike recumbent plans show you every step using high resolution photos and clear detailed text

**15 diy recumbent bike plans you can build easily little lovelies** - Aug 07 2023

web mar 1 2021 recumbent bikes are not as common as regular bikes like mountain bikes they are usually something you find in a bicycle enthusiasts garage since not many people are in the market they can often demand a hefty price to own one this is a pity because their backrest make them very conformable

*17 diy recumbent bike plans mint design blog* - Sep 08 2023

web here are 17 diy recumbent bike plans with instructions and building tips building one of these bikes can be a fun and rewarding project 20 diy bike rack plans you can build today tips to diy recumbent bike plans recumbent bikes are popular exercise equipment the exercise bike s design places the rider in a laid back reclining position

**recumbent bike exercise how to get an effective workout** - Dec 31 2022

web nov 4 2022 cycling recumbent bike exercise how to get an effective workout on a recumbent bike by darla leal updated on november 04 2022 reviewed by tara laferrara cpt lumina stocksy table of contents view all recumbent bike explained recumbent bike benefits recumbent bikes vs upright bikes are recumbent bike

**17 diy recumbent bike plans for workout at home** - Oct 09 2023

web this collection of 17 diy recumbent bike plans provides detailed blueprints and directions for the frame wheels components and drive systems from some of the best builders in the world

**the 10 best recumbent exercise bikes of 2023 verywell fit** - Feb 18 2022

web feb 16 2023 best budget marcy recumbent exercise bike at amazon jump to review best for seniors sunny health fitness recumbent bike sf at amazon jump to review best adjustable

[down the fabrication rabbit hole to build a recumbent bike](#) - Feb 01 2023

web jul 15 2021 the third episode of brian in ohio s series covers the one simple trick that electricians don t want you to know those rails are made out of electrical conduit and you can easily buy rent

[frontrunner fwd bike diy plan atomiczombie diy plans](#) - Mar 02 2023

web this speedy recumbent bike is fully adjustable to riders of any leg length and can even be folded in half for transportation or storage the frontrunner weighs the same as any ordinary bicycle and can have 18 or more speeds add plan to cart 120 pages 140 photos pdf download

**igcse physics 2014 january mark scheme analytics testkestories** - Dec 07 2022

web igcse physics 2014 january mark scheme yeah reviewing a ebook igcse physics 2014 january mark scheme could increase your near connections listings this is just one of the solutions for you to be successful as understood deed does not recommend that you have extraordinary points

[mark scheme results june 2014 pearson qualifications](#) - Apr 30 2022

web the answer matches the mark scheme examiners should also be prepared to award zero marks if the candidate s response is not worthy of credit according to the mark scheme where some judgement is required mark schemes will provide the principles by which marks will be awarded and exemplification may be limited

**mark scheme results january 2016 pearson qualifications** - Dec 27 2021

web mar 2 2016 all the marks on the mark scheme are designed to be awarded examiners should always award full marks if deserved i e if the answer matches the mark scheme examiners should also be prepared to award zero marks if the candidate s response is not worthy of credit according to the mark scheme

[cambridge igcse physics 0625](#) - Jun 13 2023

web june 2021 mark scheme paper 31 pdf 254kb june 2021 question paper 41 pdf 2mb june 2021 mark scheme paper 41 pdf 263kb june 2021 question paper 51 pdf 1mb june 2021 mark scheme paper 51 pdf 240kb june 2021 confidential instructions paper 51 pdf 1mb june 2021 question paper 61 pdf 1mb june 2021

[cambridge igcse physics 0625 mark scheme results january 2014](#) - Feb 09 2023

web of cambridge igcse physics syllabus assists learners to understands the technological globe in which your live and bear an informed interest in science and academia developments skip to main content go to our other sites change language county cambridge assessment international education main navigation

[edexcel igcse physics past papers save my exams](#) - Aug 03 2022

web edexcel igcse physics past papers concise resources for the igcse edexcel physics course

**mark scheme results january 2013 pearson qualifications** - Mar 30 2022

web mar 7 2013 mark scheme results january 2013 international gcse physics 4ph0 paper 2p edexcel level 1 level 2 certificate physics kph0 paper 2p edexcel and btec qualifications edexcel and btec qualifications come from pearson the world s leading learning company we provide a wide range of qualifications including academic

**igcse physics 2014 past papers cie notes** - Jun 01 2022

web sep 27 2018 igcse physics may june past papers 0625 s14 er 0625 s14 gt 0625 s14 ir 51 0625 s14 ir 52 0625 s14 ir 53 0625 s14 ms 11 0625 s14 ms 12

*mark scheme results january 2015 pearson qualifications* - Jul 02 2022

web january 2015 international gcse physics 4ph0 1p edexcel and btec qualifications edexcel and btec qualifications are awarded by pearson the uk s largest awarding body worthy of credit according to the mark scheme where some judgement is required mark schemes will provide the principles by which marks will be awarded and

mark scheme results june 2014 pearson qualifications - Oct 05 2022

web there is no ceiling on achievement all marks on the mark scheme should be used appropriately all the marks on the mark scheme are designed to be awarded examiners should always award full marks if deserved i e if the answer matches the mark scheme

**mark scheme results january 2015 pearson qualifications** - Sep 04 2022

web january 2015 international gcse physics 4ph0 2p edexcel and btec qualifications edexcel and btec qualifications are awarded by pearson the uk s largest awarding body worthy of credit according to the mark scheme where some judgement is required mark schemes will provide the principles by which marks will be awarded and

edexcel igcse physics mark scheme january 2014 - Nov 06 2022

web in right site to start getting this info get the edexcel igcse physics mark scheme january 2014 belong to that we give here and check out the link you could buy lead edexcel igcse physics mark scheme january 2014 or get it as soon as feasible you could speedily download this edexcel igcse physics mark scheme january 2014 after getting deal

*mark scheme results january 2014 physics maths tutor* - Feb 26 2022

web mark scheme results january 2014 pearson edexcel international gcse mathematics b 4mb0 01 paper 1 pmt edexcel and btec qualifications unless allowed by the mark scheme the marks allocated to one part of the question cannot be awarded in another pmt question number

**mark scheme results june 2014 pearson qualifications** - Apr 11 2023

web mark scheme results june 2014 physics 4ph0 paper 1pr pearson edexcel science double award 4sc0 paper 1pr each line for 1 mark total for question 1 9 marks question number answer notes marks 2 a 6i 96 000 000 allow 96 x10 1

mark scheme results january 2021 pearson qualifications - Jan 28 2022

web mar 4 2021 there is no ceiling on achievement all marks on the mark scheme should be used appropriately all the marks on the mark scheme are designed to be awarded examiners should always award full marks if deserved i e if [mark scheme results january 2014 pearson qualifications](#) - Aug 15 2023

web mar 6 2014 there is no ceiling on achievement all marks on the mark scheme should be used appropriately all the marks on the mark scheme are designed to be awarded examiners should always award full marks if deserved i e if **mark scheme results january 2014 physics maths tutor** - Jan 08 2023

web mark scheme results january 2014 pearson edexcel international gcse mathematics a 4ma0 4h paper 4h pearson edexcel certificate apart from questions 3 15 a 18 a and 20 where the mark scheme states otherwise the correct answer unless clearly obtained from an incorrect method should be taken to imply a correct method 1

**edexcel igcse physics past papers mark scheme** - Mar 10 2023

web find edexcel igcse physics past papers and mark scheme download past exam papers for edexcel physics igcse **past papers cambridge igcse physics 0625 2014 gce** - May 12 2023

web cambridge igcse physics 0625 2014 cambridge igcse physics 0625 2014 past papers cambridge igcse physics 0625 2014 question papers cambridge igcse physics 0625 2014 marking schemes cambridge igcse physics 0625 *mark scheme results january 2014 pearson qualifications* - Jul 14 2023

web mar 6 2014 any two of mp1 beta is moderately ionising mp2 beta has a short range mp3 idea that i 131 has a short half life mp4 idea that iodine is absorbed easily by the thyroid mp5 hence reduces damage to healthy cells mp6 hence does not penetrate out of the body mp7 therefore kills only tumour cells