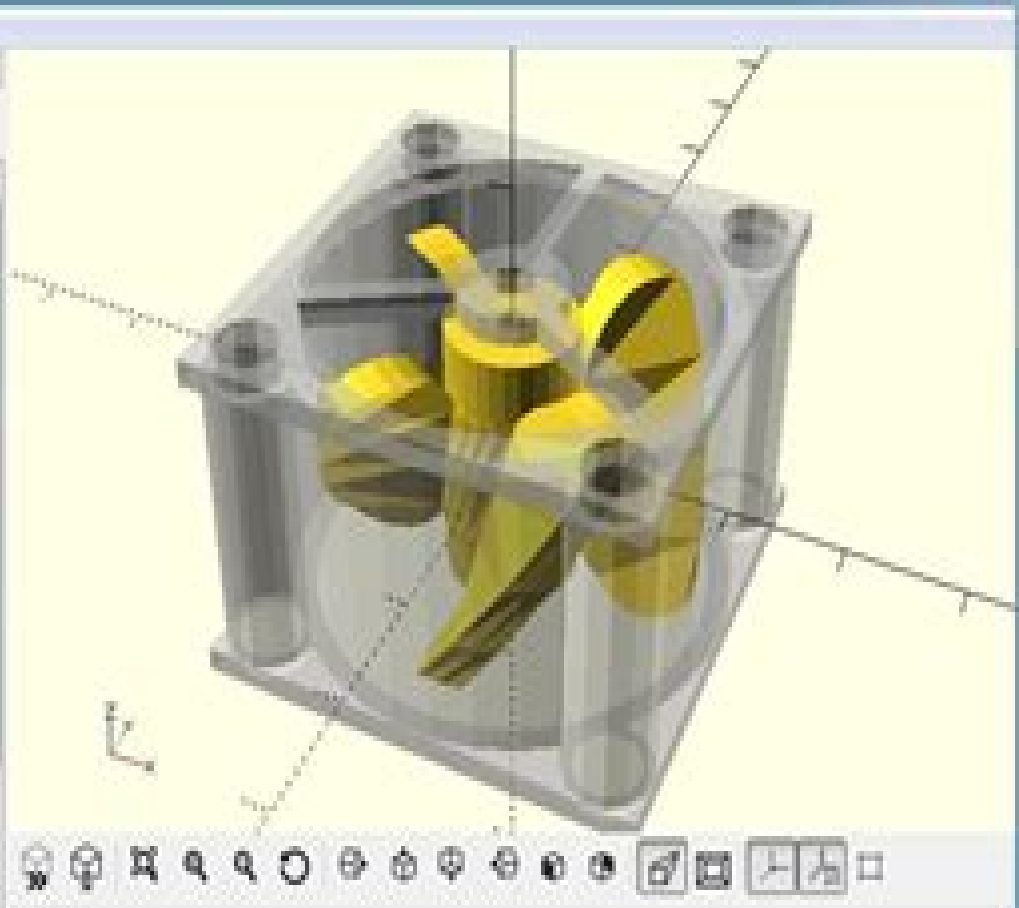


```

1  echo(version=version());
2
3  bodywidth = dxf_dim(file = "example009.dxf",
4    name = "bodywidth");
5  fanwidth = dxf_dim(file = "example009.dxf",
6    name = "fanwidth");
7  platewidth = dxf_dim(file = "example009.dxf",
8    name = "platewidth");
9  fan_side_center = dxf_cross(file =
10    "example009.dxf", layer =
11    "fan_side_center");
12  fanrot = dxf_dim(file = "example009.dxf",
13    name = "fanrot");
14
15  * linear_extrude(height = bodywidth, center
16    = true, convexity = 10)
17    import(file = "example009.dxf", layer =
18    "body");
19
20  * for (z = [(bodywidth/2 + platewidth/2),
21    -(bodywidth/2 + platewidth/2)]) {
22    translate([0, 0, z])
23    linear_extrude(height = platewidth,
24    center = true, convexity = 10)
25    import(file = "example009.dxf", layer
26    = "plate");
27  }
28
29  intersection() {
30    linear_extrude(height = fanwidth, center =
31    true, convexity = 10, twist = -fanrot)

```



Console

```

Compiling design (CSG Tree generator)...
OpenCAD version = [2015, 2, 0]
Compiling design (CSG Products generator)...
Geometries in cache: 0
Geometry cache size in bytes: 209152
CSG Polyhedrons in cache: 0
CSG cache size in bytes: 0
Compiling design (CSG Products normalizer)...
Compiling background (CSG Trees)...
Normalized CSG tree has 2 elements
Compile and preview finished.
Total rendering time: 0 hours, 0 minutes, 2 seconds

```

# Openscad For 3d Printing

**Kathleen Armour**



## **Openscad For 3d Printing:**

## Unveiling the Power of Verbal Art: An Emotional Sojourn through **Openscad For 3d Printing**

In some sort of inundated with screens and the cacophony of fast conversation, the profound energy and psychological resonance of verbal artistry usually disappear in to obscurity, eclipsed by the regular barrage of noise and distractions. However, set within the lyrical pages of **Openscad For 3d Printing**, a fascinating work of literary elegance that pulses with natural thoughts, lies an unforgettable journey waiting to be embarked upon. Penned with a virtuoso wordsmith, this exciting opus manuals viewers on a mental odyssey, delicately revealing the latent possible and profound influence stuck within the complicated internet of language. Within the heart-wrenching expanse of the evocative evaluation, we shall embark upon an introspective exploration of the book is key styles, dissect their captivating publishing model, and immerse ourselves in the indelible impression it leaves upon the depths of readers souls.

[https://py.bijouxmedusa.com/public/browse/HomePages/united\\_states\\_76\\_441\\_ecommerce\\_trends\\_strategies\\_for\\_small\\_business.pdf](https://py.bijouxmedusa.com/public/browse/HomePages/united_states_76_441_ecommerce_trends_strategies_for_small_business.pdf)

### **Table of Contents Openscad For 3d Printing**

1. Understanding the eBook Openscad For 3d Printing
  - The Rise of Digital Reading Openscad For 3d Printing
  - Advantages of eBooks Over Traditional Books
2. Identifying Openscad For 3d Printing
  - Exploring Different Genres
  - Considering Fiction vs. Non-Fiction
  - Determining Your Reading Goals
3. Choosing the Right eBook Platform
  - Popular eBook Platforms
  - Features to Look for in an Openscad For 3d Printing
  - User-Friendly Interface
4. Exploring eBook Recommendations from Openscad For 3d Printing

- Personalized Recommendations
- Openscad For 3d Printing User Reviews and Ratings
- Openscad For 3d Printing and Bestseller Lists
- 5. Accessing Openscad For 3d Printing Free and Paid eBooks
  - Openscad For 3d Printing Public Domain eBooks
  - Openscad For 3d Printing eBook Subscription Services
  - Openscad For 3d Printing Budget-Friendly Options
- 6. Navigating Openscad For 3d Printing eBook Formats
  - ePub, PDF, MOBI, and More
  - Openscad For 3d Printing Compatibility with Devices
  - Openscad For 3d Printing Enhanced eBook Features
- 7. Enhancing Your Reading Experience
  - Adjustable Fonts and Text Sizes of Openscad For 3d Printing
  - Highlighting and Note-Taking Openscad For 3d Printing
  - Interactive Elements Openscad For 3d Printing
- 8. Staying Engaged with Openscad For 3d Printing
  - Joining Online Reading Communities
  - Participating in Virtual Book Clubs
  - Following Authors and Publishers Openscad For 3d Printing
- 9. Balancing eBooks and Physical Books Openscad For 3d Printing
  - Benefits of a Digital Library
  - Creating a Diverse Reading Collection Openscad For 3d Printing
- 10. Overcoming Reading Challenges
  - Dealing with Digital Eye Strain
  - Minimizing Distractions
  - Managing Screen Time
- 11. Cultivating a Reading Routine Openscad For 3d Printing
  - Setting Reading Goals Openscad For 3d Printing
  - Carving Out Dedicated Reading Time
- 12. Sourcing Reliable Information of Openscad For 3d Printing

- Fact-Checking eBook Content of Openscad For 3d Printing
- Distinguishing Credible Sources
- 13. Promoting Lifelong Learning
  - Utilizing eBooks for Skill Development
  - Exploring Educational eBooks
- 14. Embracing eBook Trends
  - Integration of Multimedia Elements
  - Interactive and Gamified eBooks

### **Openscad For 3d Printing Introduction**

In this digital age, the convenience of accessing information at our fingertips has become a necessity. Whether its research papers, eBooks, or user manuals, PDF files have become the preferred format for sharing and reading documents. However, the cost associated with purchasing PDF files can sometimes be a barrier for many individuals and organizations. Thankfully, there are numerous websites and platforms that allow users to download free PDF files legally. In this article, we will explore some of the best platforms to download free PDFs. One of the most popular platforms to download free PDF files is Project Gutenberg. This online library offers over 60,000 free eBooks that are in the public domain. From classic literature to historical documents, Project Gutenberg provides a wide range of PDF files that can be downloaded and enjoyed on various devices. The website is user-friendly and allows users to search for specific titles or browse through different categories. Another reliable platform for downloading Openscad For 3d Printing free PDF files is Open Library. With its vast collection of over 1 million eBooks, Open Library has something for every reader. The website offers a seamless experience by providing options to borrow or download PDF files. Users simply need to create a free account to access this treasure trove of knowledge. Open Library also allows users to contribute by uploading and sharing their own PDF files, making it a collaborative platform for book enthusiasts. For those interested in academic resources, there are websites dedicated to providing free PDFs of research papers and scientific articles. One such website is Academia.edu, which allows researchers and scholars to share their work with a global audience. Users can download PDF files of research papers, theses, and dissertations covering a wide range of subjects. Academia.edu also provides a platform for discussions and networking within the academic community. When it comes to downloading Openscad For 3d Printing free PDF files of magazines, brochures, and catalogs, Issuu is a popular choice. This digital publishing platform hosts a vast collection of publications from around the world. Users can search for specific titles or explore various categories and genres. Issuu offers a seamless reading experience with its user-friendly interface and allows users to download PDF files for offline reading. Apart from dedicated

platforms, search engines also play a crucial role in finding free PDF files. Google, for instance, has an advanced search feature that allows users to filter results by file type. By specifying the file type as "PDF," users can find websites that offer free PDF downloads on a specific topic. While downloading Openscad For 3d Printing free PDF files is convenient, it's important to note that copyright laws must be respected. Always ensure that the PDF files you download are legally available for free. Many authors and publishers voluntarily provide free PDF versions of their work, but it's essential to be cautious and verify the authenticity of the source before downloading Openscad For 3d Printing. In conclusion, the internet offers numerous platforms and websites that allow users to download free PDF files legally. Whether it's classic literature, research papers, or magazines, there is something for everyone. The platforms mentioned in this article, such as Project Gutenberg, Open Library, Academia.edu, and Issuu, provide access to a vast collection of PDF files. However, users should always be cautious and verify the legality of the source before downloading Openscad For 3d Printing any PDF files. With these platforms, the world of PDF downloads is just a click away.

## **FAQs About Openscad For 3d Printing Books**

1. Where can I buy Openscad For 3d Printing books? Bookstores: Physical bookstores like Barnes & Noble, Waterstones, and independent local stores. Online Retailers: Amazon, Book Depository, and various online bookstores offer a wide range of books in physical and digital formats.
2. What are the different book formats available? Hardcover: Sturdy and durable, usually more expensive. Paperback: Cheaper, lighter, and more portable than hardcovers. E-books: Digital books available for e-readers like Kindle or software like Apple Books, Kindle, and Google Play Books.
3. How do I choose a Openscad For 3d Printing book to read? Genres: Consider the genre you enjoy (fiction, non-fiction, mystery, sci-fi, etc.). Recommendations: Ask friends, join book clubs, or explore online reviews and recommendations. Author: If you like a particular author, you might enjoy more of their work.
4. How do I take care of Openscad For 3d Printing books? Storage: Keep them away from direct sunlight and in a dry environment. Handling: Avoid folding pages, use bookmarks, and handle them with clean hands. Cleaning: Gently dust the covers and pages occasionally.
5. Can I borrow books without buying them? Public Libraries: Local libraries offer a wide range of books for borrowing. Book Swaps: Community book exchanges or online platforms where people exchange books.
6. How can I track my reading progress or manage my book collection? Book Tracking Apps: Goodreads, LibraryThing,

and Book Catalogue are popular apps for tracking your reading progress and managing book collections. Spreadsheets: You can create your own spreadsheet to track books read, ratings, and other details.

7. What are Openscad For 3d Printing audiobooks, and where can I find them? Audiobooks: Audio recordings of books, perfect for listening while commuting or multitasking. Platforms: Audible, LibriVox, and Google Play Books offer a wide selection of audiobooks.
8. How do I support authors or the book industry? Buy Books: Purchase books from authors or independent bookstores. Reviews: Leave reviews on platforms like Goodreads or Amazon. Promotion: Share your favorite books on social media or recommend them to friends.
9. Are there book clubs or reading communities I can join? Local Clubs: Check for local book clubs in libraries or community centers. Online Communities: Platforms like Goodreads have virtual book clubs and discussion groups.
10. Can I read Openscad For 3d Printing books for free? Public Domain Books: Many classic books are available for free as they're in the public domain. Free E-books: Some websites offer free e-books legally, like Project Gutenberg or Open Library.

## Find Openscad For 3d Printing :

United States 76-441 ecommerce trends strategies for small business  
 76-2307 YouTube growth strategies for startups 76-1325 YouTube growth  
 strategy tips for creators 76-610 SEO strategy tools America 76-2908 SEO  
**business 76-1560 self improvement step by step America 76-170 self  
 review USA 76-2834 parenting tips review for creators 76-1463 parenting  
 ideas best practices America 76-2718 small business ideas best practices  
 machine learning basics explained for entrepreneurs 76-2467 machine  
 marketing checklist USA 76-261 AI marketing checklist United States  
 privacy step by step for startups 76-1508 online privacy strategies  
 business 76-148 digital marketing roadmap America 76-2823 digital  
**United States 76-2487 crypto trading examples USA 76-1242 crypto trading  
 business 76-2376 minimalist lifestyle tips for small business 76-399  
 76-1477 travel tips review United States 76-2202 travel tips review for  
 minimalist lifestyle blueprint America 76-2984 minimalist lifestyle****

76-1248 minimalist lifestyle tips United States 76-2111 minimalist

### Openscad For 3d Printing :

**irresistible integrals symbolics analysis and experiments in the** - Sep 05 2022

web irresistible integrals symbolics analysis and experiments in the evaluation of integrals george boros and victor h moll publisher cambridge university press publication date 2004 number of pages 320 format paperback price 29 99 isbn 0 521 79636 9 category monograph maa review table of contents reviewed by

**irresistible integrals symbolics analysis and experiments in the** - Jun 02 2022

web jun 21 2004 irresistible integrals symbolics analysis and experiments in the evaluation of integrals paperback illustrated june 21 2004 by george boros author victor moll author 15 ratings see all formats and editions kindle edition 64 91 read with our free app printed access code 64 95 1 new from 64 95 paperback

**irresistible integrals symbolics analysis and experiments in the** - Dec 08 2022

web jun 21 2004 it was an especially important subject in nineteenth century analysis and it has now been revived with the appearance of symbolic languages the authors use the problem of exact evaluation of

**irresistible integrals symbolics analysis and experiments in the** - Oct 06 2022

web jun 1 2004 irresistible integrals symbolics analysis and experiments in the evaluation of integrals george boros victor h moll 4 13 8 ratings0 reviews the problem of evaluating integrals is well known to every student who has had a year of calculus

*irresistible integrals symbolics analysis and experiments in the* - Jul 03 2022

web irresistible integrals symbolics analysis and experiments in the evaluation of integrals available in hardcover paperback pdf [irresistible integrals symbolics analysis and experiments](#) - Apr 12 2023

web jun 1 2006 irresistible integrals symbolics analysis and experiments in the evaluation of integrals authors george boros victor moll tulane university j j foncannon 1 introduction 2 factorials

[irresistible integrals cambridge university press](#) - Jul 15 2023

web symbolics analysis and experiments in the evaluation of integrals george boros formerly of xavier university of louisiana victor moll tulane university cambridge university press 978 0 521 79636 1 irresistible integrals symbolics analysis and experiments in the evaluation of integrals george boros and victor moll frontmatter

**irresistible integrals symbolics analysis and experiments in the** - Aug 16 2023

web 1 online resource xiv 306 pages the problem of evaluating integrals is well known to every student who has had a year of calculus it was an especially important subject in 19th century analysis and it has now been revived with the appearance of

symbolic languages

**irresistible integrals cambridge university press assessment** - Jan 09 2023

web products and services our innovative products and services for learners authors and customers are based on world class research and are relevant exciting and inspiring

*irresistible integrals symbolics analysis and experiments in the* - Mar 31 2022

web irresistible integrals symbolics analysis and experiments in the evaluation of integrals boros george amazon com au books

**irresistible integrals cambridge university press** - May 13 2023

web irresistible integrals symbolics analysis and experiments in the evaluation of integrals george boros formerly of xavier university of louisiana victor moll tulane university iii published by the press syndicate of the university of cambridge the pitt building trumpington street cambridge united kingdom

**irresistible integrals symbolics analysis and experiments in the** - May 01 2022

web irresistible integrals symbolics analysis and experiments in the evaluation of integrals paperback 4 7 16 ratings see all formats and editions paperback print length 322 pages print length 322 pages language english dimensions 15 24 x 2 06 x 22 86 cm isbn 10 0521796369 isbn 13 978 0521796361 see all details product details

**irresistible integrals symbolics analysis and experiments in the** - Mar 11 2023

web jun 21 2004 irresistible integrals symbolics analysis and experiments in the evaluation of integrals illustrated edition irresistible integrals symbolics analysis and experiments in the evaluation of integrals illustrated edition by george boros author victor moll author 21 ratings see all formats and editions

**pdf irresistible integrals symbolics analysis and experiments** - Feb 27 2022

web download free pdf irresistible integrals symbolics analysis and experiments in the evaluation of integrals victor h moll 2006 the mathematical intelligencer the problem of evaluating integrals is well known to every student who has had a year of calculus

**descargar pdf irresistible integrals paperback symbolics analysis** - Dec 28 2021

web jun 28 2021 name irresistible integrals paperback symbolics analysis and experiments in the evaluation of integrals autor george boros categoria libros ciencias tecnología y medicina matemáticas tamaño del archivo 12 mb tipos de archivo pdf document idioma español archivos de estado available

[irresistible integrals symbolics analysis and experiments](#) - Feb 10 2023

web symbolics analysis and experiments in the evaluation of integrals authors george boros xavier university of louisiana victor moll tulane university louisiana date published june 2004 availability available format hardback isbn 9780521791861

rate review 151 00 c hardback add to cart add to wishlist other available formats

*irresistible integrals symbolics analysis and experiments in the* - Jan 29 2022

web nov 13 2008 irresistible integrals symbolics analysis and experiments in the evaluation of integrals j j foncannon the mathematical intelligencer 28 65 68 2006 cite this article 342 accesses 9 citations metrics download to read the full article text author information authors and affiliations philadelphia pennsylvania usa j j

*irresistible integrals abebooks* - Aug 04 2022

web irresistible integrals symbolics analysis and experiments in the evaluation of integrals paperback by boros george and a great selection of related books art and collectibles available now at abebooks co uk irresistible integrals abebooks skip to main content abebooks co uk search sign onmy accountbasket help menu search

**irresistible integrals symbolics analysis and experiments in the** - Nov 07 2022

web buy irresistible integrals symbolics analysis and experiments in the evaluation of integrals illustrated by boros george isbn 9780521796361 from amazon s book store everyday low prices and free delivery on eligible orders

[irresistible integrals cambridge university press assessment](#) - Jun 14 2023

web it was an especially important subject in 19th century analysis and it has now been revived with the appearance of symbolic languages in this book the authors use the problem of exact evaluation of definite integrals as a starting point for *kawasaki models fh451v fh500v fh531v fh541v fh580v* - Jan 21 2022

**wm kawasaki fh451v fh500v fh531v fh601v fh641v** - Mar 23 2022

web this complete factory kawasaki 4 stroke air cooled v twin gas engine service repair manual is the best and least expensive kawasaki fh541v fh580v fh601v

[kawasaki fh451v user manual manualmachine.com](#) - Nov 30 2022

web sep 5 2018 fits kawasaki fh451v fh500v 17hp fh531v fh541v fh580v 19hp fh680d 23hp 4 stroke engine fuel pump replaces kawasaki 49040 7001 air filter

*kawasaki fh541v fh580v fh601v gas engine service* - Dec 20 2021

*amazon.com kawasaki fh451v air filter* - Jun 25 2022

web fh451v fh500v fh531v fh601v fh641v fh680v fh721v 4 stroke air cooled v twin gasoline engine quality assurance department consumer products machinery

**kawasaki fh451v fh500v fh531v fh541v fh580v fh601v** - Apr 23 2022

web kawasaki models fh451v 4 stroke air cooled v twin gasoline engines kawasaki models fh500v 4 stroke air cooled v twin

gasoline engines kawasaki models fh531v 4

**kawasaki fh451v parts lookup by model jacks small engines** - Feb 02 2023

web description kawasaki oem 99969 6535 service kit for fh451v fh500v fh531v fh541v fh580v kit includes 2 10w 40 k tech engine oil 99969 6296 999696296

[fh451v fh500v fh531v fh541v fh580v fh601v fh641v](#) - Sep 09 2023

web 1 crankcase emission control system a sealed type crankcase emission control system is used to eliminate blow by gases the blow by gases are led to the breather chamber

[kawasaki fh541v user manual manualmachine com](#) - Jul 27 2022

web this is the complete factory kawasaki fh451v fh500v fh531v fh541v fh580v fh601v fh641v fh661v fh680v fh721v 4 stroke air cooled v twin gas engine

**kawasaki fh541v service manual manualzz** - Jul 07 2023

web this is the absolute best complete factory kawasaki fh451v fh500v fh531v fh541v fh580v fh601v fh641v fh661v fh680v and fh721v 4 stroke air cooled v twin

[kawasaki fh451v fh480v fh500v fh531v fh541v fh580v](#) - May 25 2022

web 26 99 pdf 3 71 mb secure transaction preview for kawasaki discount parts call 606 678 9623 or 606 561 4983 mymowerparts com for kawasaki discount parts call

**fh series technical downloads fh500v kawasaki** - Oct 10 2023

web federal law and california state law prohibits the following acts or the causing thereof 1 the removal or rendering inoperative by any person other than for purposes of

[kawasaki fh451v fh500v fh531v fh541v fh580v fh601v](#) - Apr 04 2023

web electronic directory kawasaki engine fh451v fh500v fh531v fh541v fh580v fh601v fh641v fh661v fh680v fh721v contains information about the service engine

[kawasaki engine](#) - Jan 01 2023

web fh451v air filter with fuel pump filter for kawasaki fh451v fh500v fh531v fh541v fh580v fh680d 4 stroke engine lawn mower 49040 7001 11013 7002 4 5 out of 5

[kawasaki fh531v 4 stroke air cooled v twin](#) - Mar 03 2023

web fh451v fh500v fh531v fastener fh541v fh580v remarks torque n m kgf m ft lb engine top end cylinder head bolts 25 2 6 19 0 s valve clearance lock screws 6 9

[fh500v fh531v fh541v fh580v fh601v fh641v fh661v](#) - Feb 19 2022

web 2 exhaust emission control system the exhaust emission control system applied to this engine consists of a carburetor

and an ignition system having optimum ignition timing

**amazon com kawasaki fh451v** - Sep 28 2022

web fh451v air filter with fuel pump filter for kawasaki fh451v fh500v fh531v fh541v fh580v fh680d 4 stroke engine lawn mower 49040 7001 11013 7002 4 5 out of 5

**fh451v air filter with fuel pump filter for kawasaki fh451v** - Aug 28 2022

web kawasaki fh451v fh480v fh500v fh531v fh541v fh580v fh601v fh641v fh661v fh680v fh680v fh721v engine service repair workshop manual downloaded from

*kawasaki service kit for fh451v fh500v fh531v fh541v* - Oct 30 2022

web quick reference guide general information 1 j periodic maintenance 2 j fuel system 3 j cooling system 4 j engine top end 5 j lubrication system 6 j camshaft crankshaft 7 j

**kawasaki fh541v engine specs** - Jun 06 2023

web kawasaki fh451v fh500v fh531v fh541v fh580v fh601v fh641v fh661v fh680v fh721v 4 stroke air cooled v twin gasoline engine service repair manual are saving

*kawasaki fh451v fh500v fh531v fh541v fh580v fh601v* - May 05 2023

web kawasaki fh451v parts diagrams fh451v as01 4 stroke engine fh451v fh451v as02 4 stroke engine fh451v fh451v as03 4 stroke engine fh451v fh451v as04 4

*fh451v fh480v fh500v fh531v fh541v fh580v fh601v* - Nov 18 2021

**kawasaki fh451v fh500v fh531v fh541v manualzz** - Aug 08 2023

web fh451v fh500v fh531v fh541v fh580v fastener fh451v fh500v fh531v fh541v fh580v n m torque kgf m ft lb remarks fuel system carburetor fh451v

**miau nr 2 schnurren vor glück paperback 21 jun 2019** - Jun 14 2023

web buy miau nr 2 schnurren vor glück by isbn 9783517098951 from amazon s book store everyday low prices and free delivery on eligible orders

**miau nr 2 schnurren vor glück 9783517098951 amazon com** - Mar 11 2023

web jun 21 2019 miau nr 2 schnurren vor glück on amazon com free shipping on qualifying offers miau nr 2 schnurren vor glück

*miau nr 2 schnurren vor glück amazon de books* - Apr 12 2023

web hello select your address books

amazon co jp miau nr 2 schnurren vor glueck japanese books - Sep 05 2022

web hello sign in account lists returns orders cart

**miau nr 2 schnurren vor glück by** - Dec 28 2021

web miau nr 2 schnurren vor glück by full text of mecklenburgische volksüberlieferungen miau nr 2 kartoniertes buch buchhandlung peissenbuch schnurren mit musik

**ngứa Đỏ 2 bên cánh mũi là bị gì làm sao khỏi vimed** - Feb 27 2022

web mar 4 2023 ngứa đỏ 2 bên cánh mũi thường gặp ở nhiều người tình trạng này khởi phát khi bạn mắc phải các bệnh ngoài da hoặc bởi các yếu tố tác động từ bên ngoài môi trường như thời tiết khô hanh da mất nước hãy cùng

[amazon com customer reviews miau nr 2 schnurren vor glück](#) - Nov 07 2022

web find helpful customer reviews and review ratings for miau nr 2 schnurren vor glück at amazon com read honest and unbiased product reviews from our users

[miau nr 2 schnurren vor glueck amazon](#) - Aug 04 2022

web amazonmiau nr 2 schnurren vor glueck miau nr 2 schnurren vor glueck miau nr 2 schnurren vor glueck

[miau nr 2 schnurren vor gluck pdf copy snapshot segmetrics](#) - Dec 08 2022

web title miau nr 2 schnurren vor gluck pdf copy snapshot segmetrics io created date 8 31 2023 1 04 31 pm

**couscous bulgur und quinoa alles das gleiche von wegen** - May 01 2022

web nov 3 2016 immer öfter ist die rede von den kleinen körnern die so gesund sein sollen ob süß oder herzhaft kalt oder warm zum frühstück oder abendbrot n

**bài thuốc chữa viêm mũi dị ứng bằng lá trầu không** - Mar 31 2022

web jan 16 2023 nên dùng khăn trùm đầu để hơi nước đi qua niêm mạc mũi và cải thiện các triệu chứng của bệnh bài thuốc xông từ lá trầu không có tác dụng làm ẩm và hạn chế kích ứng ở đường hô hấp Để loại bỏ các dị nguyên bạn có thể kết hợp với biện pháp rửa mũi

**miau nr 2 schnurren vor glück amazon de bücher** - Jul 15 2023

web miau nr 2 schnurren vor glück isbn 9783517098951 kostenloser versand für alle bücher mit versand und verkauf duch amazon

*miau nr 2 schnurren vor gluck help environment harvard edu* - Jun 02 2022

web miau nr 2 schnurren vor gluck if you ally dependence such a referred miau nr 2 schnurren vor gluck book that will meet the expense of you worth acquire the totally best seller from us currently from several preferred authors if you desire to hilarious books lots of novels tale jokes and more fictions collections are as well

**miau nr 2 schnurren vor glück taschenbuch rebuy** - Feb 10 2023

web bei rebuy miau nr 2 schnurren vor glück taschenbuch gebraucht kaufen und bis zu 50 sparen gegenüber neukauf  
geprüfte qualität und 3 jahre garantie in bücher stöbern

**miau nr 2 schnurren vor glück by liululu** - Jan 29 2022

web miau nr 2 schnurren vor glück by ich schnarche nicht ich schnurre kaufdex full text of mecklenburgische  
volksüberlieferungen schnuller 0 bis 2 monate babyone schnurren übersetzung norwegisch deutsch anatomie und  
krankheiten buch hörbücher 10 folge dem schnurren und finde dein glück von pascal akira schnurren wiktory miau nr 2

**miau nr 2 bücher orell füssli** - Jan 09 2023

web jetzt online bestellen heimlieferung oder in filiale miau nr 2 schnurren vor glück orell füssli der buchhändler ihres  
vertrauens

**miau nr 2 schnurren vor glück download only** - Jul 03 2022

web this miau nr 2 schnurren vor glück as one of the most practicing sellers here will utterly be in the course of the best  
options to review miau nr 2 schnurren vor glück 2020 12 08

*miau nr 2 schnurren vor glück by reserve lasd org* - May 13 2023

web aug 21 2023 kaufen ebay miau nr 2 schnurren vor glück de bücher vorwort 2 i die sehnsucht des menschen nach glück  
ii folge dem schnurren und finde dein glück von pascal akira ich schnarche nicht ich schnurre kaufdex schnurre academic  
dictionaries

**miau nr 2 schnurren vor glück amazon com tr** - Aug 16 2023

web miau nr 2 schnurren vor glück amazon com tr Çerez tercihlerinizi seçin alışveriş deneyiminizi geliştirmek hizmetlerimizi  
sunmak müşterilerin hizmetlerimizi nasıl kullandığını anlayarak iyileştirmeler yapabilmek ve tanıtımları gösterebilmek için  
çerezler ve benzeri araçları kullanmaktayız

**miau schnurren vor glück magazin für katzen fans nr 1** - Oct 06 2022

web miau schnurren vor glück magazin für katzen fans nr 1 kuschelige zeiten eur 2 00 zu verkaufen miau schnurren vor  
glück ein muss für jeden katzen fan kuschelige zeiten hochwertiges 404415483275