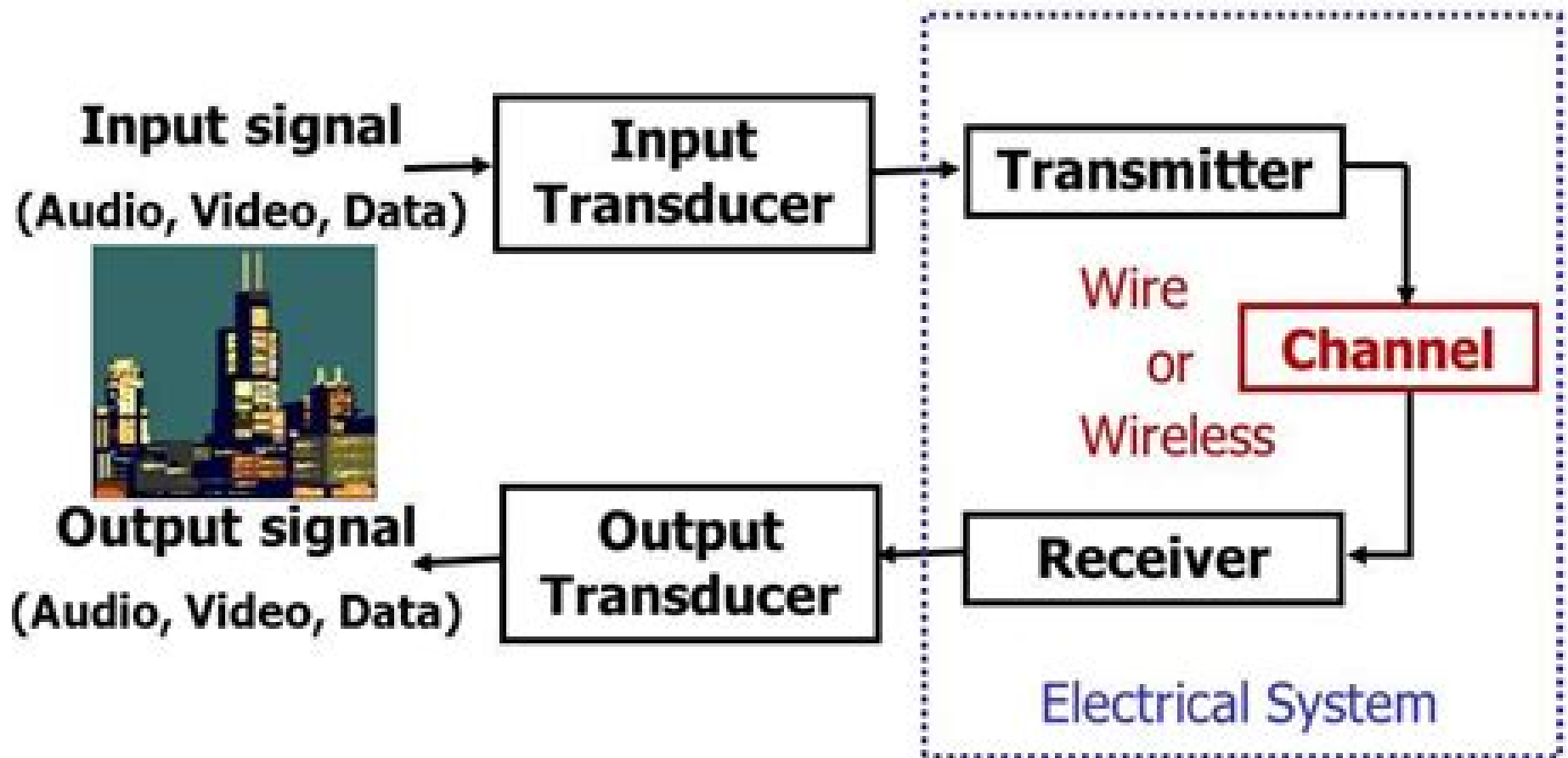


Functional Block Diagram of a Communication System



Functional Block Diagram Engineering

Norman S. Nise



Functional Block Diagram Engineering:

Ignite the flame of optimism with Get Inspired by is motivational masterpiece, **Functional Block Diagram Engineering** . In a downloadable PDF format (*), this ebook is a beacon of encouragement. Download now and let the words propel you towards a brighter, more motivated tomorrow.

<https://py.bijouxmedusa.com/files/Resources/Documents/for%20small%20business%2076%202916%20self%20improvement%20review%20for%20startups%2076%2011.pdf>

Table of Contents Functional Block Diagram Engineering

1. Understanding the eBook Functional Block Diagram Engineering
 - The Rise of Digital Reading Functional Block Diagram Engineering
 - Advantages of eBooks Over Traditional Books
2. Identifying Functional Block Diagram Engineering
 - Exploring Different Genres
 - Considering Fiction vs. Non-Fiction
 - Determining Your Reading Goals
3. Choosing the Right eBook Platform
 - Popular eBook Platforms
 - Features to Look for in an Functional Block Diagram Engineering
 - User-Friendly Interface
4. Exploring eBook Recommendations from Functional Block Diagram Engineering
 - Personalized Recommendations
 - Functional Block Diagram Engineering User Reviews and Ratings
 - Functional Block Diagram Engineering and Bestseller Lists
5. Accessing Functional Block Diagram Engineering Free and Paid eBooks
 - Functional Block Diagram Engineering Public Domain eBooks
 - Functional Block Diagram Engineering eBook Subscription Services
 - Functional Block Diagram Engineering Budget-Friendly Options

6. Navigating Functional Block Diagram Engineering eBook Formats
 - ePub, PDF, MOBI, and More
 - Functional Block Diagram Engineering Compatibility with Devices
 - Functional Block Diagram Engineering Enhanced eBook Features
7. Enhancing Your Reading Experience
 - Adjustable Fonts and Text Sizes of Functional Block Diagram Engineering
 - Highlighting and Note-Taking Functional Block Diagram Engineering
 - Interactive Elements Functional Block Diagram Engineering
8. Staying Engaged with Functional Block Diagram Engineering
 - Joining Online Reading Communities
 - Participating in Virtual Book Clubs
 - Following Authors and Publishers Functional Block Diagram Engineering
9. Balancing eBooks and Physical Books Functional Block Diagram Engineering
 - Benefits of a Digital Library
 - Creating a Diverse Reading Collection Functional Block Diagram Engineering
10. Overcoming Reading Challenges
 - Dealing with Digital Eye Strain
 - Minimizing Distractions
 - Managing Screen Time
11. Cultivating a Reading Routine Functional Block Diagram Engineering
 - Setting Reading Goals Functional Block Diagram Engineering
 - Carving Out Dedicated Reading Time
12. Sourcing Reliable Information of Functional Block Diagram Engineering
 - Fact-Checking eBook Content of Functional Block Diagram Engineering
 - Distinguishing Credible Sources
13. Promoting Lifelong Learning
 - Utilizing eBooks for Skill Development
 - Exploring Educational eBooks
14. Embracing eBook Trends
 - Integration of Multimedia Elements

- Interactive and Gamified eBooks

Functional Block Diagram Engineering Introduction

In the digital age, access to information has become easier than ever before. The ability to download Functional Block Diagram Engineering has revolutionized the way we consume written content. Whether you are a student looking for course material, an avid reader searching for your next favorite book, or a professional seeking research papers, the option to download Functional Block Diagram Engineering has opened up a world of possibilities. Downloading Functional Block Diagram Engineering provides numerous advantages over physical copies of books and documents. Firstly, it is incredibly convenient. Gone are the days of carrying around heavy textbooks or bulky folders filled with papers. With the click of a button, you can gain immediate access to valuable resources on any device. This convenience allows for efficient studying, researching, and reading on the go. Moreover, the cost-effective nature of downloading Functional Block Diagram Engineering has democratized knowledge. Traditional books and academic journals can be expensive, making it difficult for individuals with limited financial resources to access information. By offering free PDF downloads, publishers and authors are enabling a wider audience to benefit from their work. This inclusivity promotes equal opportunities for learning and personal growth. There are numerous websites and platforms where individuals can download Functional Block Diagram Engineering. These websites range from academic databases offering research papers and journals to online libraries with an expansive collection of books from various genres. Many authors and publishers also upload their work to specific websites, granting readers access to their content without any charge. These platforms not only provide access to existing literature but also serve as an excellent platform for undiscovered authors to share their work with the world. However, it is essential to be cautious while downloading Functional Block Diagram Engineering. Some websites may offer pirated or illegally obtained copies of copyrighted material. Engaging in such activities not only violates copyright laws but also undermines the efforts of authors, publishers, and researchers. To ensure ethical downloading, it is advisable to utilize reputable websites that prioritize the legal distribution of content. When downloading Functional Block Diagram Engineering, users should also consider the potential security risks associated with online platforms. Malicious actors may exploit vulnerabilities in unprotected websites to distribute malware or steal personal information. To protect themselves, individuals should ensure their devices have reliable antivirus software installed and validate the legitimacy of the websites they are downloading from. In conclusion, the ability to download Functional Block Diagram Engineering has transformed the way we access information. With the convenience, cost-effectiveness, and accessibility it offers, free PDF downloads have become a popular choice for students, researchers, and book lovers worldwide. However, it is crucial to engage in ethical downloading practices and prioritize personal security when utilizing online platforms. By doing so, individuals can make the most of the vast array of

free PDF resources available and embark on a journey of continuous learning and intellectual growth.

FAQs About Functional Block Diagram Engineering Books

What is a Functional Block Diagram Engineering PDF? A PDF (Portable Document Format) is a file format developed by Adobe that preserves the layout and formatting of a document, regardless of the software, hardware, or operating system used to view or print it. **How do I create a Functional Block Diagram Engineering PDF?** There are several ways to create a PDF: Use software like Adobe Acrobat, Microsoft Word, or Google Docs, which often have built-in PDF creation tools. Print to PDF: Many applications and operating systems have a "Print to PDF" option that allows you to save a document as a PDF file instead of printing it on paper. Online converters: There are various online tools that can convert different file types to PDF. **How do I edit a Functional Block Diagram Engineering PDF?** Editing a PDF can be done with software like Adobe Acrobat, which allows direct editing of text, images, and other elements within the PDF. Some free tools, like PDFescape or Smallpdf, also offer basic editing capabilities. **How do I convert a Functional Block Diagram Engineering PDF to another file format?** There are multiple ways to convert a PDF to another format: Use online converters like Smallpdf, Zamzar, or Adobe Acrobats export feature to convert PDFs to formats like Word, Excel, JPEG, etc. Software like Adobe Acrobat, Microsoft Word, or other PDF editors may have options to export or save PDFs in different formats. **How do I password-protect a Functional Block Diagram Engineering PDF?** Most PDF editing software allows you to add password protection. In Adobe Acrobat, for instance, you can go to "File" -> "Properties" -> "Security" to set a password to restrict access or editing capabilities. Are there any free alternatives to Adobe Acrobat for working with PDFs? Yes, there are many free alternatives for working with PDFs, such as: LibreOffice: Offers PDF editing features. PDFsam: Allows splitting, merging, and editing PDFs. Foxit Reader: Provides basic PDF viewing and editing capabilities. How do I compress a PDF file? You can use online tools like Smallpdf, ILovePDF, or desktop software like Adobe Acrobat to compress PDF files without significant quality loss. Compression reduces the file size, making it easier to share and download. Can I fill out forms in a PDF file? Yes, most PDF viewers/editors like Adobe Acrobat, Preview (on Mac), or various online tools allow you to fill out forms in PDF files by selecting text fields and entering information. Are there any restrictions when working with PDFs? Some PDFs might have restrictions set by their creator, such as password protection, editing restrictions, or print restrictions. Breaking these restrictions might require specific software or tools, which may or may not be legal depending on the circumstances and local laws.

Find Functional Block Diagram Engineering :

for small business 76-2916 self improvement review for startups 76-110
for creators 76-1217 budget travel apps for creators 76-1029 budget
America 76-2033 crypto trading best practices USA 76-1 crypto trading
76-2957 retirement planning explained for small business 76-1798
entrepreneurs 76-2105 crypto investing trends for entrepreneurs 76-2527
entrepreneurs 76-1872 freelancing online roadmap for entrepreneurs
creators 76-1127 AI marketing blueprint for creators 76-1743 AI
tips for small business 76-1395 blockchain development tools United
76-1737 personal finance comparison for entrepreneurs 76-2044 personal
development case study for small business 76-1080 blockchain development
76-113 AI tools examples USA 76-347 AI tools examples USA 76-410 AI
entrepreneurs 76-972 Instagram growth for beginners America 76-711
entrepreneurs 76-1478 freelancing online tips for startups 76-1874
entrepreneurs 76-133 dropshipping business strategies for small business
startups 76-2408 online privacy review for creators 76-2750 online

Functional Block Diagram Engineering :

des mains rembrandt caravage 2 amateur d art le monde fr - Feb 11 2023
web jun 15 2006 *des mains rembrandt caravage 2 au musée van gogh à amsterdam jusqu au 18 juin pour rembrandt comme*
pour caravage la lumière ne suffit en général pas à structurer le tableau à
caravaggio s influence on rembrandt s art anita louise art - May 02 2022
web caravaggio s influence traveled and reached rembrandt because of other artists who made their way to holland and
those artists helped influence rembrandt it was the dutch caravaggio s fans that influenced rembrandt so we can say that
caravaggio s influence on rembrandt was not direct but was more of rembrandt seeing caravaggio s
rembrandt caravage relié collectif achat livre fnac - Nov 08 2022
web apr 19 2006 *résumé voir tout l ouvrage rembrandt caravage met en lumière les deux génies de la peinture baroque*
rembrandt l éminent artiste de l âge d or hollandais et sa contrepartie italienne michelangelo merisi dit le caravage
le caravage rembrandt l express - Jul 16 2023

web mar 30 2006 rembrandt le bourgeois du nord citoyen de la hollande calviniste 1606 1669 n a jamais rencontré le caravage le voyou du sud 1571 1610 qui fut toute sa vie en délicatesse

rembrandt caravage duo divin le temps - Dec 09 2022

web mar 4 2006 caravage et rembrandt sont de fabuleux illusionnistes le maniérisme de la renaissance finissante est oublié caravage a inauguré le réalisme rembrandt lui a donné de la chair et des rides la présentation cependant ne fait pas dans la surenchère

le caravage gauguin rembrandt la pêche miraculeuse le - Jun 15 2023

web apr 9 2021 l intuition devient conviction il est persuadé que ce portrait d un jeune gentilhomme est de rembrandt il ne dit rien et le 9 décembre remporte les enchères pour 160 000 euros soit le prix

le caravage wikipédia - Aug 17 2023

web michelangelo merisi da caravaggio francisé caravage ou le caravage est un peintre italien né le 29 septembre 1571 à milan et mort le 18 juillet 1610 à porto ercole

rembrandt le caravage abebooks - Apr 01 2022

web du caravage à rembrandt maîtres adeptes et plagiaires du clair obscur de satié alain et d autres livres articles d art et de collection similaires disponibles sur abebooks fr

rembrandt caravage 1 de la lumière amateur d art le monde fr - Jan 10 2023

web jun 14 2006 rembrandt caravage 1 de la lumière au musée van gogh à amsterdam jusqu au 18 juin j ai enfin vu un peu tard cette exposition dont beaucoup plus rapides que moi ont déjà parlé

violence et obéissance chez rembrandt le sacrifice d isaac - Feb 28 2022

web feb 9 2020 c est un des rares sujets que rembrandt et le caravage aient peints à un moment à peu près similaire de leur évolution artistique des formats à grande échelle l une et l autre peintures considérées comme des chefs d œuvre

le caravage et rembrandt rembrandt et le caravage cairn info - May 14 2023

web deux génies du baroque rembrandt et le caravage se rencontrent se contredisent et se confirment ces jours de printemps au musée van gogh à amsterdam rembrandt van rijen est à l honneur puisqu on célèbre son quatrième centenaire et le rijksmuseum en train d être réaménagé a voulu voir grand ceci avec la

ombres de rembrandt lumières du caravage jstor - Sep 06 2022

web ombres de rembrandt lumières du caravage rembrandt caravaggio amsterdam van gogh museum jusqu au 18 juin 2006 catalogue en anglais 208 pages 29 95 euros édition française hazan 35 euros

rembrandt wikipédia - Aug 05 2022

web rembrandt harmenszoon van rijen en néerlandais Écouter 1 habituellement désigné sous son seul prénom rembrandt est

un peintre et graveur néerlandais né à leyde le 15 juillet 1606 ou 1607 b et mort à amsterdam le 4 octobre 1669

rembrandt le caravage exposition amsterdam van gogh - Jan 30 2022

web découvrez et achetez rembrandt le caravage exposition amsterdam van gogh museum rijksmuseum hazan sur leslibraires fr

du sexe rembrandt caravage 4 amateur d art le monde fr - Apr 13 2023

web 16 juin 2006 par lunettes rouges du sexe rembrandt caravage 4 au musée van gogh à amsterdam jusqu au 18 juin dès les premiers tableaux ce fut comme une évidence pour mon amie et

rembrandt caravage sacré duel le monde fr - Mar 12 2023

web feb 27 2006 article réservé aux abonnés a la perte de temps passé à un travail vide de sens se substitue celle consacrée à des loisirs numériques eux mêmes vides de sens nous mettons fin au régime en

rembrandt le caravage exposition amsterdam musée van - Jun 03 2022

web rembrandt le caravage informations ean13 9782754100830 isbn 978 2 7541 0083 0 Éditeur hazan date de publication 04 2006 nombre de pages 176 dimensions 29 x 24 5 cm poids 1494 g langue français langue d origine flamand néerlandais code dewey 759 046 fiches unimarc s identifier rembrandt le caravage

exposition le caravage rembrandt - Dec 29 2021

web du 24 février au 18 juin 2006 a l occasion du 400ème anniversaire de la naissance de rembrandt le musée d amsterdam rapproche les œuvres de ce génie du clair obscur à celles de caravage plus de 25 tableaux monumentaux provenant de nombreux musées internationaux sont réunis pour l occasion

rembrandt le caravage relié 19 avril 2006 amazon fr - Oct 07 2022

web l ouvrage rembrandt caravage met en lumière les deux génies de la peinture baroque rembrandt l éminent artiste de l âge d or hollandais et sa contrepartie italienne michelangelo merisi dit le caravage

clair obscur wikipédia - Jul 04 2022

web le caravage puis rembrandt développèrent la pratique aussi bien dans le dessin et la gravure que dans la peinture les artistes et les amateurs disputent de son importance du xviiè au xixè siècle en regard de la ligne de contour

an analysis of kite s symbolic meaning in the kite runner - Oct 05 2022

web the kite runner tells a story of two afghan boys amir and hassan kite is regarded as a symbolic object throughout the movie for sure it plays a significant role to drive the plot

the kite runner metaphors similes sparknotes - Aug 15 2023

web the kite runner khaled hosseini study guide mastery quizzes plus flashcards plus infographic plus literary devices metaphors similes chapter 3 tit was rahim khan who first referred to him as what eventually became baba s famous nickname

toophan agha or mr hurricane

literary techniques in the kite runner study com - Jun 13 2023

web jul 15 2022 what metaphors are used in the kite runner there are two notable metaphors used in the kite runner one instance where metaphor is employed is when america is described as a

what are two examples of similes in the kite runner and where - Sep 04 2022

web khaled hosseini utilizes similes throughout his acclaimed novel the kite runner to spark the reader s imagination and make the story more interesting in the second paragraph of the story amir

metaphors in the kite runner quiz worksheet study com - Mar 30 2022

web test your understanding of what a metaphor is and how metaphors are used in the kite runner with this quiz and worksheet combo this resource checks your understanding of the examples of metaphors

kite runner as a metaphor 1977 words research paper - Feb 26 2022

web jul 8 2020 kite runner as a metaphor research paper exclusively available on ivypanda updated jul 8th 2020 table of contents introduction the metaphor conclusion works cited we will write a custom research paper on kite runner as a metaphor specifically for you for only 11 00 9 35 page 808 certified writers online learn more introduction

metaphors in the kite runner by jorja ruppert prezi - Apr 30 2022

web mar 22 2012 blog aug 21 2023 discover over 60 engaging 5 minute presentation topics aug 18 2023 fostering a positive classroom culture with prezi aug 14 2023

figurative language in the kite runner ipl org - Dec 27 2021

web in khaled husseini s the kite runner the protagonist amir deals with a situation where he is confronted by deciding weather to help a dear friend or ignore a harsh situation all of this leads to the author using symbolism irony and imagery

the kite runner important quotes explained sparknotes - Jan 08 2023

web explanation of the famous quotes in the kite runner including all important speeches comments quotations and monologues

a cross cultural study of conceptual metaphors in the kite runner - Dec 07 2022

web this view of metaphor challenges the traditional position by claiming that 1 metaphor is not a property of words but concepts 2 it is not just used for artistic purposes and has the

what are four examples of metaphors in the kite runner - Jul 14 2023

web four examples of metaphors in the kite runner can be seen when amir compares the past to an object that can be buried when he likens the hazaras to load bearing donkeys when he compares

the kite runner metaphor analysis novelguide - Mar 10 2023

web it is a kite that rouses sohrab from his withdrawn state of traumatic shock on a spring day in a california park as he helps amir fly a victorious kite using the strategies that hassan and amir had perfected

[the kite runner symbols metaphors by nana kumi prezi](#) - Jul 02 2022

web oct 18 2012 the kite runner symbols metaphors kite fighting was important to amir because it was a way for him and baba to connect amir used kite fighting as a way to impress baba and make him proud kite fighting was a symbol of guilt for amir because it reminded him of his betrayal to hassan

[a cross cultural study of conceptual metaphors in the kite runner](#) - Nov 06 2022

web apr 1 2020 a cross cultural study of conceptual metaphors in the kite runner and to kill a mockingbird authors maryam amiri mahmood hashemian shahrekord university azizullah mirzaei abstract and

[the use of literary devices in khaled hosseini s the kite runner](#) - Apr 11 2023

web in the novel the kite runner the emblem in the story is the kite the kite is implied and symbolic as the reason for a sacrifice and dedication of hassan for amir at the commencement of the novel amir becomes successful in a kite fighting contest which is taken place in his neighborhood

[the kite runner figurative language by tatum mcgehee prezi](#) - Aug 03 2022

web may 14 2015 the kite runner figurative language simile repetition simile the sound of my ribs snapping like the tree branches hassan and i used to break to sword fight like sinbad in those old movies page 288 this is when assef who is now a taliban leader beats up on amir because it is

[metaphors in the kite runner study com](#) - May 12 2023

web in this lesson we will examine some examples of metaphors from khaled hosseini s the kite runner to determine the meaning behind the comparisons

[an analysis of kite s symbolic meaning in the kite runner](#) - Jun 01 2022

web feb 1 2020 marc forster adapted the novel the kite runner for a movie which had won an oscar nomination in 2008 the kite runner tells a story of two afghan boys amir and hassan kite is regarded as a symbolic object throughout the movie for sure it plays a significant role to drive the plot there is something more profound hidden below the

[what are 4 metaphors in the kite runner enotes com](#) - Feb 09 2023

web there are several examples of metaphors in the kite runner in chapter 1 amir tells readers that he has been looking back into the same alley for the last twenty six years in chapter 4

[kite runner metaphors help environment harvard edu](#) - Jan 28 2022

web kite runner metaphors recognizing the showing off ways to get this ebook kite runner metaphors is additionally useful you have remained in right site to start getting this info acquire the kite runner metaphors belong to that we allow here and

check out the link you could buy lead kite runner metaphors or acquire it as soon as feasible

l Âge de la connaissance idriss aberkane robert laffont lisez - Jun 13 2023

web l Âge de la connaissance idriss aberkane lu par françois hatt date de parution 15 11 2018 Éditeurs livre audio prix conseillé 23 99 acheter sur lizzie un

l age de la connaissance traité d écologie positive - Feb 09 2023

web sep 13 2018 l age de la connaissance idriss j aberkane auteur paru le 13 septembre 2018 essai broché l age de la connaissance 5 7 avis 11 sur les autres formats

l age de la connaissance broché idriss j aberkane fnac - Jan 08 2023

web sep 13 2018 l Âge de la connaissance idriss aberkane google books l Âge de la connaissance idriss aberkane groupe robert laffont sep 13 2018 social science

l âge de la connaissance idriss aberkane françois hatt lizzie - Apr 11 2023

web résumé notre connaissance est infinie tout le contraire de notre système actuel fondé sur les hydrocarbures dont la source finira inexorablement par se tarir ainsi l économie

amazon fr l Âge de la connaissance aberkane idriss hatt - Nov 25 2021

l Âge de la connaissance idriss aberkane lizzie - Oct 05 2022

web sep 13 2018 l âge de la connaissance traité d écologie positive idriss aberkane 0 avis donner votre avis 374 pages parution le 13 09 2018 ajouter à une liste livre

l Âge de la connaissance idriss aberkane lizzie lisez - May 12 2023

web ainsi l économie de la connaissance est une révolution sa matière première est inépuisable elle favorise et récompense le partage et son pouvoir d achat ne dépend

l âge de la connaissance idriss aberkane babelio - Aug 15 2023

web noté 5 achetez l Âge de la connaissance de aberkane idriss isbn 9782221202036 sur amazon fr des millions de livres livrés chez vous en 1 jour

l âge de la connaissance idriss j aberkane cultura - Sep 04 2022

web l âge de la connaissance par idriss j aberkane aux éditions lizzie si la connaissance est infinie alors une croissance indexée sur celle ci peut être infinie elle aussi tout le

amazon fr l Âge de la connaissance aberkane idriss livres - Jul 14 2023

web l Âge de la connaissance de idriss aberkane auteur l auteur du best seller libérez votre cerveau revient avec un nouveau livre toujours aussi visio recevez

[l âge de la connaissance idriss j aberkane livres de](#) - Jul 02 2022

web l âge de la connaissance par idriss j aberkane aux éditions pocket notre connaissance est infinie tout le contraire de notre système actuel fondé sur les

[l âge de la connaissance idriss aberkane librairie eyrolles](#) - Aug 03 2022

web sep 13 2018 télécharger l auteur du best seller libérez votre cerveau revient avec un nouveau livre toujours aussi visionnaire sur l économie de la connaissance notre

[l Âge de la connaissance réponses format kindle amazon fr](#) - Jan 28 2022

web un nouvel essai original sur l économie de la connaissance notre nouveau pétrole si la connaissance est infinie alors une croissance indexée sur celle ci peut être infinie elle

[télécharger pdf l Âge de la connaissance idriss gratuit](#) - Jun 01 2022

web blogue gratuit avec l essai de 30 jours extrait l âge de la connaissance auteur s idriss aberkane narrateur s françois hatt durée 14 h et 34 min 5 0 4 évaluations essayer

l âge de la connaissance idriss j aberkane cultura - Apr 30 2022

web biographie crédit photo aliska raskolnikova né en 1986 idriss aberkane est spécialiste de neurosciences et titulaire de trois doctorats dont un en neurosciences il a

amazon fr l age de la connaissance aberkane idriss - Oct 25 2021

[l Âge de la connaissance idriss aberkane google books](#) - Dec 07 2022

web l Âge de la connaissance un livre audio disponible en streaming sur lizzie de idriss aberkane lu par françois hatt

l âge de la connaissance traité d écologie positive - Nov 06 2022

web l âge de la connaissance par idriss j aberkane aux éditions robert laffont comme la connerie notre connaissance est infinie tout le contraire de notre système actuel

[l âge de la connaissance traité d écologie positive decitre](#) - Dec 27 2021

web noté 5 achetez l age de la connaissance de aberkane idriss tisseron serge isbn 9782266292016 sur amazon fr des millions de livres livrés chez vous en 1 jour

[l âge de la connaissance audible ca](#) - Mar 30 2022

web l auteur du best seller libérez votre cerveau revient avec un nouveau livre toujours aussi visionnaire sur l économie de la connaissance notre nouveau pétrole comme la

[l age de la connaissance idriss aberkane bnfa](#) - Mar 10 2023

web notre connaissance est infinie tout le contraire de notre système actuel fondé sur les hydrocarbures dont la source finira

inexorablement par se tarir ainsi l'économie de la

l'âge de la connaissance idriss aberkane pocket lisez - Feb 26 2022

web sep 13 2018 résumé comme la connerie notre connaissance est infinie tout le contraire de notre système actuel fondé sur les hydrocarbures dont la source finira