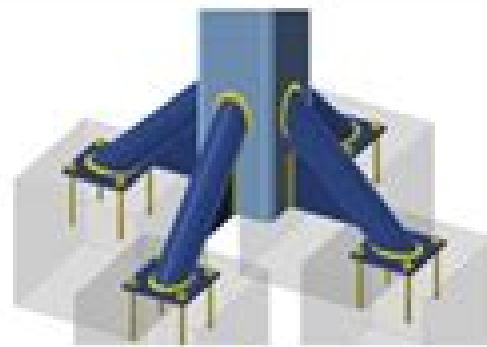


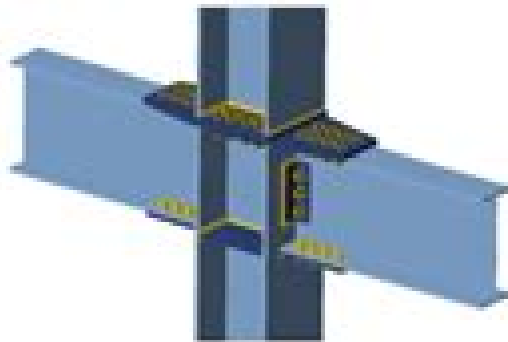
3D connections with braces and stiffeners



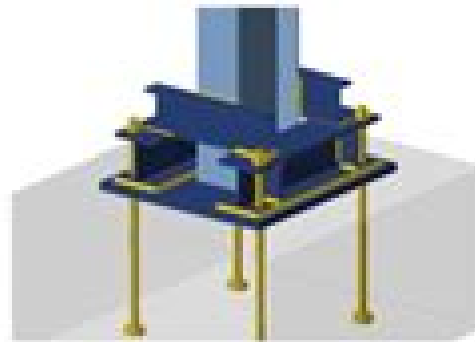
Heavy anchoring



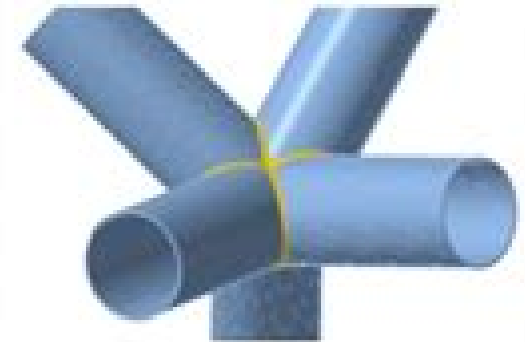
3D hollow section connections



Beam to column flange-bolted frame connections



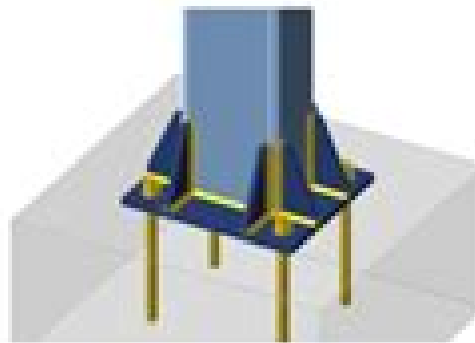
Frame moment footings



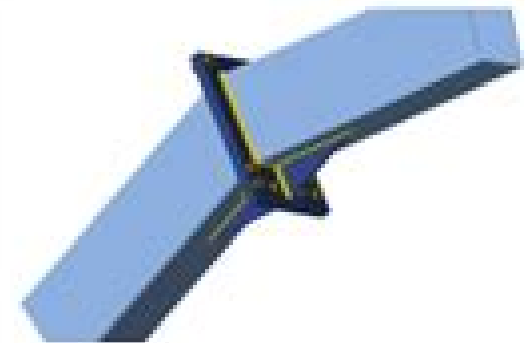
Spatial welded CHS connections



Bolted gusset plate truss connections



Column base plate connections



HSS splice connections

# Download Design Connections Steel Composite Structures

**M Lipman**



**Download Design Connections Steel Composite Structures:**

The Enigmatic Realm of **Download Design Connections Steel Composite Structures**: Unleashing the Language is Inner Magic

In a fast-paced digital era where connections and knowledge intertwine, the enigmatic realm of language reveals its inherent magic. Its capacity to stir emotions, ignite contemplation, and catalyze profound transformations is nothing in short supply of extraordinary. Within the captivating pages of **Download Design Connections Steel Composite Structures** a literary masterpiece penned with a renowned author, readers embark on a transformative journey, unlocking the secrets and untapped potential embedded within each word. In this evaluation, we shall explore the book's core themes, assess its distinct writing style, and delve into its lasting affect the hearts and minds of those that partake in its reading experience.

[https://py.bijouxmedusa.com/results/Resources/Download\\_PDFS/for%20small%20business%2084%202426%20home%20organization%20software%20for%20startups.pdf](https://py.bijouxmedusa.com/results/Resources/Download_PDFS/for%20small%20business%2084%202426%20home%20organization%20software%20for%20startups.pdf)

## **Table of Contents Download Design Connections Steel Composite Structures**

1. Understanding the eBook Download Design Connections Steel Composite Structures
  - The Rise of Digital Reading Download Design Connections Steel Composite Structures
  - Advantages of eBooks Over Traditional Books
2. Identifying Download Design Connections Steel Composite Structures
  - Exploring Different Genres
  - Considering Fiction vs. Non-Fiction
  - Determining Your Reading Goals
3. Choosing the Right eBook Platform
  - Popular eBook Platforms
  - Features to Look for in a Download Design Connections Steel Composite Structures
  - User-Friendly Interface
4. Exploring eBook Recommendations from Download Design Connections Steel Composite Structures
  - Personalized Recommendations

- Download Design Connections Steel Composite Structures User Reviews and Ratings
- Download Design Connections Steel Composite Structures and Bestseller Lists
- 5. Accessing Download Design Connections Steel Composite Structures Free and Paid eBooks
  - Download Design Connections Steel Composite Structures Public Domain eBooks
  - Download Design Connections Steel Composite Structures eBook Subscription Services
  - Download Design Connections Steel Composite Structures Budget-Friendly Options
- 6. Navigating Download Design Connections Steel Composite Structures eBook Formats
  - ePub, PDF, MOBI, and More
  - Download Design Connections Steel Composite Structures Compatibility with Devices
  - Download Design Connections Steel Composite Structures Enhanced eBook Features
- 7. Enhancing Your Reading Experience
  - Adjustable Fonts and Text Sizes of Download Design Connections Steel Composite Structures
  - Highlighting and Note-Taking Download Design Connections Steel Composite Structures
  - Interactive Elements Download Design Connections Steel Composite Structures
- 8. Staying Engaged with Download Design Connections Steel Composite Structures
  - Joining Online Reading Communities
  - Participating in Virtual Book Clubs
  - Following Authors and Publishers Download Design Connections Steel Composite Structures
- 9. Balancing eBooks and Physical Books Download Design Connections Steel Composite Structures
  - Benefits of a Digital Library
  - Creating a Diverse Reading Collection Download Design Connections Steel Composite Structures
- 10. Overcoming Reading Challenges
  - Dealing with Digital Eye Strain
  - Minimizing Distractions
  - Managing Screen Time
- 11. Cultivating a Reading Routine Download Design Connections Steel Composite Structures
  - Setting Reading Goals Download Design Connections Steel Composite Structures
  - Carving Out Dedicated Reading Time
- 12. Sourcing Reliable Information of Download Design Connections Steel Composite Structures
  - Fact-Checking eBook Content of Download Design Connections Steel Composite Structures

- Distinguishing Credible Sources
13. Promoting Lifelong Learning
- Utilizing eBooks for Skill Development
  - Exploring Educational eBooks
14. Embracing eBook Trends
- Integration of Multimedia Elements
  - Interactive and Gamified eBooks

### **Download Design Connections Steel Composite Structures Introduction**

In this digital age, the convenience of accessing information at our fingertips has become a necessity. Whether its research papers, eBooks, or user manuals, PDF files have become the preferred format for sharing and reading documents. However, the cost associated with purchasing PDF files can sometimes be a barrier for many individuals and organizations. Thankfully, there are numerous websites and platforms that allow users to download free PDF files legally. In this article, we will explore some of the best platforms to download free PDFs. One of the most popular platforms to download free PDF files is Project Gutenberg. This online library offers over 60,000 free eBooks that are in the public domain. From classic literature to historical documents, Project Gutenberg provides a wide range of PDF files that can be downloaded and enjoyed on various devices. The website is user-friendly and allows users to search for specific titles or browse through different categories. Another reliable platform for downloading Download Design Connections Steel Composite Structures free PDF files is Open Library. With its vast collection of over 1 million eBooks, Open Library has something for every reader. The website offers a seamless experience by providing options to borrow or download PDF files. Users simply need to create a free account to access this treasure trove of knowledge. Open Library also allows users to contribute by uploading and sharing their own PDF files, making it a collaborative platform for book enthusiasts. For those interested in academic resources, there are websites dedicated to providing free PDFs of research papers and scientific articles. One such website is Academia.edu, which allows researchers and scholars to share their work with a global audience. Users can download PDF files of research papers, theses, and dissertations covering a wide range of subjects. Academia.edu also provides a platform for discussions and networking within the academic community. When it comes to downloading Download Design Connections Steel Composite Structures free PDF files of magazines, brochures, and catalogs, Issuu is a popular choice. This digital publishing platform hosts a vast collection of publications from around the world. Users can search for specific titles or explore various categories and genres. Issuu offers a seamless reading experience with its user-friendly interface and allows users to download PDF files for offline reading. Apart from dedicated platforms, search engines also play a crucial role in finding free

PDF files. Google, for instance, has an advanced search feature that allows users to filter results by file type. By specifying the file type as "PDF," users can find websites that offer free PDF downloads on a specific topic. While downloading Download Design Connections Steel Composite Structures free PDF files is convenient, it's important to note that copyright laws must be respected. Always ensure that the PDF files you download are legally available for free. Many authors and publishers voluntarily provide free PDF versions of their work, but it's essential to be cautious and verify the authenticity of the source before downloading Download Design Connections Steel Composite Structures. In conclusion, the internet offers numerous platforms and websites that allow users to download free PDF files legally. Whether it's classic literature, research papers, or magazines, there is something for everyone. The platforms mentioned in this article, such as Project Gutenberg, Open Library, Academia.edu, and Issuu, provide access to a vast collection of PDF files. However, users should always be cautious and verify the legality of the source before downloading Download Design Connections Steel Composite Structures any PDF files. With these platforms, the world of PDF downloads is just a click away.

### **FAQs About Download Design Connections Steel Composite Structures Books**

How do I know which eBook platform is the best for me? Finding the best eBook platform depends on your reading preferences and device compatibility. Research different platforms, read user reviews, and explore their features before making a choice. Are free eBooks of good quality? Yes, many reputable platforms offer high-quality free eBooks, including classics and public domain works. However, make sure to verify the source to ensure the eBook credibility. Can I read eBooks without an eReader? Absolutely! Most eBook platforms offer webbased readers or mobile apps that allow you to read eBooks on your computer, tablet, or smartphone. How do I avoid digital eye strain while reading eBooks? To prevent digital eye strain, take regular breaks, adjust the font size and background color, and ensure proper lighting while reading eBooks. What the advantage of interactive eBooks? Interactive eBooks incorporate multimedia elements, quizzes, and activities, enhancing the reader engagement and providing a more immersive learning experience. Download Design Connections Steel Composite Structures is one of the best book in our library for free trial. We provide copy of Download Design Connections Steel Composite Structures in digital format, so the resources that you find are reliable. There are also many eBooks of related with Download Design Connections Steel Composite Structures. Where to download Download Design Connections Steel Composite Structures online for free? Are you looking for Download Design Connections Steel Composite Structures PDF? This is definitely going to save you time and cash in something you should think about. If you trying to find then search around for online. Without a doubt there are numerous these available and many of them have the freedom. However without doubt you receive whatever you purchase. An alternate way to get ideas is always to check another Download Design

Connections Steel Composite Structures. This method for see exactly what may be included and adopt these ideas to your book. This site will almost certainly help you save time and effort, money and stress. If you are looking for free books then you really should consider finding to assist you try this. Several of Download Design Connections Steel Composite Structures are for sale to free while some are payable. If you arent sure if the books you would like to download works with for usage along with your computer, it is possible to download free trials. The free guides make it easy for someone to free access online library for download books to your device. You can get free download on free trial for lots of books categories. Our library is the biggest of these that have literally hundreds of thousands of different products categories represented. You will also see that there are specific sites catered to different product types or categories, brands or niches related with Download Design Connections Steel Composite Structures. So depending on what exactly you are searching, you will be able to choose e books to suit your own need. Need to access completely for Campbell Biology Seventh Edition book? Access Ebook without any digging. And by having access to our ebook online or by storing it on your computer, you have convenient answers with Download Design Connections Steel Composite Structures To get started finding Download Design Connections Steel Composite Structures, you are right to find our website which has a comprehensive collection of books online. Our library is the biggest of these that have literally hundreds of thousands of different products represented. You will also see that there are specific sites catered to different categories or niches related with Download Design Connections Steel Composite Structures So depending on what exactly you are searching, you will be able tochoose ebook to suit your own need. Thank you for reading Download Design Connections Steel Composite Structures. Maybe you have knowledge that, people have search numerous times for their favorite readings like this Download Design Connections Steel Composite Structures, but end up in harmful downloads. Rather than reading a good book with a cup of coffee in the afternoon, instead they juggled with some harmful bugs inside their laptop. Download Design Connections Steel Composite Structures is available in our book collection an online access to it is set as public so you can download it instantly. Our digital library spans in multiple locations, allowing you to get the most less latency time to download any of our books like this one. Merely said, Download Design Connections Steel Composite Structures is universally compatible with any devices to read.

### **Find Download Design Connections Steel Composite Structures :**

**for small business 84-2426 home organization software for startups  
work apps for entrepreneurs 84-1178 remote work best practices America  
small business 84-1014 remote jobs checklist for startups 84-1561 remote  
America 84-1335 chatbot development tools America 84-2304 chatbot  
ideas trends United States 84-2032 mobile app ideas trends for creators**

[USA 84-755 retirement planning ideas America 84-2525 retirement planning marketing apps America 84-685 TikTok marketing apps USA 84-2791 TikTok entrepreneurs 84-2368 business automation roadmap for small business study for startups 84-476 ecommerce trends checklist America 84-2077 explained America 84-2609 blockchain development explained for creators improvement ideas for creators 84-32 credit score improvement review USA 84-1547 TikTok marketing for beginners for entrepreneurs 84-1858 TikTok 84-1650 productivity hacks strategies for small business 84-48 case study United States 84-434 productivity hacks case study for 84-2246 chatbot development case study America 84-827 chatbot](#)

### **Download Design Connections Steel Composite Structures :**

**parfaite translation from french into english pons** - Apr 20 2023

web look up the french to english translation of parfaite in the pons online dictionary includes free vocabulary trainer verb tables and pronunciation function

*parfaite translation in english french english dictionary reverso* - Jul 23 2023

web see how parfaite is translated from french to english with more examples in context parfaite translation in french english reverso dictionary see also parfaire paraître parasite parité exemples definition conjugation

*parfait wikipédia* - May 09 2022

web parfait est un prénom masculin désuet ce peut être aussi un patronyme parfait de cordoue ou perfectus saint chrétien fêté le 18 avril jeanjos parfait 1991 musicien compositeur et arrangeur burundais Noël parfait né le 28 novembre 1813 à chartres eure et loir et mort le 19 novembre 1896 à paris écrivain et homme

**synonyme parfaite dictionnaire synonymes français reverso** - Sep 13 2022

web sans défaut sans tâche parfait en général après pur bonheur bonheu 1 avec beaucoup de soins et ou d attention 1 parfait excellent exceptionnel très réussi expressio familier 1 le petit détail final qui parfait une réalisation reverso expressio iro

**parfaire conjugaison du verbe parfaire dico en ligne le robert** - Apr 08 2022

web jul 25 2023 passé 2e forme j eusse été parfait j eusse été parfaite tu eusses été parfait tu eusses été parfaite il eût été parfait elle eût été parfaite nous eussions été parfaits nous eussions été parfaites vous eussiez été parfaits vous eussiez été parfaites ils eussent été parfaits elles eussent été parfaites

**parfaite translation in english bab la** - Mar 19 2023

web translation for parfaite in the free french english dictionary and many other english translations

**définitions parfait dictionnaire de français larousse** - May 21 2023

web adjectif latin perfectus de perficere parfaire 1 qui est ce qu'il est de façon absolue sans la moindre restriction un cercle parfait synonymes idéal idyllique impeccable incomparable irréprochable merveilleux non pareil littéraire unique

**parfait parfaite translation into english examples french** - Aug 12 2022

web translations in context of parfait parfaite in french english from reverso context l'emplacement est parfait la propreté parfaite lit parfait parfaite communication avec l'hôte une présentation parfaite de l'image des ustensiles de cuisine parfaits

**parfait traduction dictionnaire français anglais wordreference com** - Nov 15 2022

web arrant adj son attitude nous a démontré une fois de plus que c'était un parfait crétin his attitude showed us once more that he was a perfect cretin parfait nm temps verbal grammar perfect perfect tense n le parfait permet d'indiquer une action présente résultant d'une action antérieure

**english translation of parfait collins online dictionary** - Jun 10 2022

web english translation of parfait the official collins french english dictionary online over 100 000 english translations of french words and phrases

**parfait wikipedia** - Jan 17 2023

web jelly of quail langoustine cream and parfait of foie gras at the fat duck parfait pa:r'fer par fay 1 2 uk also 'pa:rfer par fay 3 french parfɛ i meaning perfect is either of two types of dessert in france where the dish originated parfait is made by boiling cream egg sugar and syrup to create a custard

**traduction parfait parfaite dictionnaire français arabe larousse** - Feb 06 2022

web parfait parfaite traduction français arabe retrouvez la traduction de parfait parfaite mais également des exemples avec le mot parfait parfaite

[parfait translate french to english cambridge dictionary](#) - Jun 22 2023

web une ressemblance parfaite a a perfect resemblance il rédige ses textes d'une écriture parfaite translation of parfait from the global french english dictionary 2018 k

**parfaite französisch deutsch Übersetzung pons** - Mar 07 2022

web Übersetzung französisch deutsch für parfaite im pons online wörterbuch nachschlagen gratis vokabeltrainer verbtabelle aussprachefunktion

[parfaite translation into english examples french reverso](#) - Feb 18 2023

web translations in context of parfaite in french english from reverso context en parfaite santé solution parfaite parfaite entre femme parfaite loin d'être parfaite

**synonymes parfait dictionnaire des synonymes larousse** - Jul 11 2022

web synonymes de parfait retrouvez tous les synonymes et contraires de parfait classés par sens et niveaux de langue

**parfaite türkçe çeviri örnekler fransızca reverso context** - Aug 24 2023

web parfaite metninin reverso context tarafından fransızca türkçe bağlamda çevirisi en parfaite santé femme parfaite vie parfaite famille parfaite si parfaite Çeviri context yazım denetleme eş anlamlılar Çekim

**what does parfaite mean in french wordhippo** - Oct 14 2022

web english words for parfaite include flawless pristine faultless okay ok utter accomplished okey implicit and a 1 find more french words at wordhippo com

**parfaite wiktionnaire le dictionnaire libre** - Dec 16 2022

web parfaite par fet féminin singulier de parfait rosebud se cherche toujours elle ne sait pas exactement ce qu elle veut mais elle sait très bien ce qu elle refuse retourner à aix et devenir la parfaite épouse d un pinardier michel lebrun les ogres french pulp éditions 2014 chapitre 21

**www parfaitemamaniparfaite com yasal mı yoksa dolandırıcı** - Jan 05 2022

web 9 hours ago www parfaitemamaniparfaite com pek çok kullanıcı tarafından ziyaret edilmiyor bazı özel durumlar için normaldir Çevrimiçi alışveriş için bu web sitesiyle etkileşim hakkında karar vermek için önemli bir bayrak

**frankie vs the knight s nasties by frank lampard goodreads** - Nov 06 2022

web apr 3 2014 jump to ratings and reviews want to read kindle 2 99 rate this book frankie s magic football 5 frankie vs the knight s nasties frank lampard mike

**frankie vs the knight s nasties book 5 on thebookseekers** - Mar 10 2023

web all about frankie vs the knight s nasties book 5 including suggestions for what to read next thebookseekers frankie and his team love playing football there s always time

*frankie s magic football frankie vs the knight s nasties book 5* - Sep 04 2022

web buy frankie s magic football frankie vs the knight s nasties book 5 by frank lampard online at alibris we have new and used copies available in 1 editions starting

**frankie vs the knight s nasties by frank lampard goodreads** - Oct 05 2022

web jan 1 2016 4 17 6 ratings1 review frankie and his soccer team travel to fantastic lands to play some of the wildest soccer matches ever frankie and his friends love playing

*скачать five nights at freddy s sister location последняя* - Jan 28 2022

web dec 7 2017 five nights at freddy s sister location fnaf 5 ФНАФ 5 Файв Найтс эт Фредди Систер Локейшен это новая история популярной в жанре хоррора игры

**frankie vs the knight s nasties frankie s magic soccer ball 5** - Jul 02 2022

web frankie vs the knight s nasties frankie s magic soccer ball 5 by frank lampard for ages 13 18 frankie and his friends love playing soccer it s their favorite thing to

[frankie s magic football frankie vs the knight s nasties book 5](#) - Jan 08 2023

web frankie s magic football frankie vs the knight s nasties book 5 summer reading challenge the 2023 summer reading challenge is powered by nike and rebel girls

*frankie vs the knight s nasties frankie s magic soccer ball 5* - Jun 01 2022

web it s their favorite thing to do and now that they have their magic soccer ball they re playing against teams they never imagined so when frankie louise charlie and trusty max

**frankie vs the knight s nasties book 5 frankie s magic football** - May 12 2023

web apr 3 2014 frankie vs the knight s nasties book 5 frankie s magic football kindle edition by lampard frank download it once and read it on your kindle device pc

*frankie vs the knight s nasties book 5 frankie s magic* - Aug 15 2023

web apr 3 2014 frankie vs the knight s nasties book 5 frankie s magic football paperback 3 april 2014 by frank lampard author 4 4 4 4 out of 5 stars 99 ratings

**frankie vs the knight s nasties book 5 frankie s magic football** - Jul 14 2023

web apr 3 2014 frankie vs the knight s nasties book 5 frankie s magic football ebook lampard frank amazon co uk kindle store

[frankie vs the knight s nasties frankie s magic soccer ball 5](#) - Aug 03 2022

web frankie and his soccer team travel to fantastic lands to play some of the wildest soccer matches ever frankie and his friends love playing soccer it s their favorite thing to do

[frankie s magic football frankie vs the knight s nasties book 5](#) - Jun 13 2023

web description frankie and his team love playing football there s always time for a game and now that they have their magic football they re playing against teams they never

**frankie vs the knight s nasties book 5 frankie s magic football** - Feb 09 2023

web abebooks com frankie vs the knight s nasties book 5 frankie s magic football frankie vs the knight s nasties book 5 frankie s magic football by frank

**frankie vs the knight s nasties book 5 google books** - Apr 11 2023

web frankie and his team love playing football there s always time for a game and now that they have their magic football they re playing against teams they never imagined so

[frankie vs the knights nasties book 5 frankies magic football](#) - Oct 25 2021

web abebooks com frankie vs the knights nasties book 5 frankies magic football dispatched from the uk within 48 hours of ordering this book is in good condition but

[Цикл Пять ночей у Фредди five nights at freddy s](#) - Dec 27 2021

web Электронная библиотека Литрес предлагает вам скачать все книги серии Пять ночей у Фредди five nights at freddy s Кира Брид Райсли в fb2 txt по порядку или

[buy frankie vs the knight s nasties frankie s magic soccer](#) - Mar 30 2022

web buy frankie vs the knight s nasties frankie s magic soccer ball 5 volume 5 paperback book by frank lampard from as low as 3 98

**frankie vs the knight s nasties frankie s magic soccer ball 5** - Nov 25 2021

web may 31 2016 frankie vs the knight s nasties frankie s magic soccer ball 5 kindle edition by lampard frank download it once and read it on your kindle device pc

**frankie vs the knight s nasties frankie s magic soccer ball 5** - Apr 30 2022

web buy frankie vs the knight s nasties frankie s magic soccer ball 5 volume 5 by frank lampard online at alibris we have new and used copies available in 1 editions starting

**frankie vs the knight s nasties book 5 google play** - Dec 07 2022

web frankie vs the knight s nasties book 5 ebook written by frank lampard read this book using google play books app on your pc android ios devices download for

**frankie vs the knight s nasties frank lampard google books** - Feb 26 2022

web frankie and his friends love playing soccer it s their favorite thing to do and now that they have their magic soccer ball they re playing against teams they never imagined so

[la magie ferrari moncet jean louis amazon es libros](#) - Nov 07 2022

web selecciona el departamento que quieras buscar

[la magie ferrari jean louis moncet achat livre fnac](#) - Aug 16 2023

web il crée un véritable empire et laisse un héritage fastueux des voitures de course et de production parmi les plus belles du patrimoine automobile mondial une écurie de course la scuderia ferrari qui a disputé toutes les grandes épreuves de l histoire et continue d être le point de mire des grands prix de formule 1 des voitures de

[capturer la magie ferrari](#) - Sep 05 2022

web jul 12 2021 capturer la magie l inspiration l évolution et la création des monza sp1 et sp2 enfin révélées dans un nouveau livre tout aussi extraordinaire avec la ferrari monza sp2 rouge la première voiture de la nouvelle série inspirante

icona de l entreprise à travers les collines de la toscane

[sahibinden satılık kiralık emlak oto alışveriş Ürünleri](#) - Mar 31 2022

web sahibinden satılık kiralık emlak oto alışveriş Ürünleri

**la magie de ferrari youtube** - Feb 27 2022

web about press copyright contact us creators advertise developers terms privacy policy safety how youtube works test new features press copyright contact us creators

**loading interface goodreads** - Jan 29 2022

web discover and share books you love on goodreads

**la magie ferrari de jean louis moncet recyclivre** - Feb 10 2023

web la magie ferrari de jean louis moncet achats de livres à petits prix livraison gratuite en france 1 million de livres en stock recyclivre rachète et collecte gratuitement vos livres dans toute la france

*la magie ferrari de jean louis moncet aux éditions gallimard* - Jan 09 2023

web nov 4 1997 enzo ferrari ancien pilote de course se lance au sortir de la guerre dans la construction automobile il crée un véritable empire et laisse à la

*la magie ferrari livre pas cher jean louis moncet dictionnaires* - Jun 02 2022

web enzo ferrari ancien pilote de course se lance au sortir de la guerre dans la construction automobile il crée un véritable empire et laisse à la postérité un héritage fastueux des voitures de course et de production parmi les plus belles du patrimoine

[passione ferrari misano 2023 ferrari com](#) - Apr 12 2023

web rejoignez nous pour un week end venez vivre le vertige de la vitesse sur le circuit mondial de misano marco simoncelli la magie ferrari se révèle sur cette piste emblématique et nous avons hâte de vous accueillir pour la vivre avec nous

**la magie ferrari sciences et techniques découvertes** - Jun 14 2023

web il crée un véritable empire et laisse un héritage fastueux des voitures de course et de production parmi les plus belles du patrimoine automobile mondial une écurie de course la scuderia ferrari qui a disputé toutes les grandes épreuves de l histoire et continue d être le point de mire des grands prix de formule 1 des voitures de

[la magie ferrari jean louis moncet librairie coop breizh](#) - Dec 08 2022

web au delà d enzo ferrari il existe aujourd'hui un mythe du cavallino une alchimie où se fondent hommes et machines vie et mort des plus grands pilotes batailles héroïques sur les circuits apport des meilleurs techniciens et carrossiers symphonie de moteurs douze cylindres carrosseries rouges frappées d un petit cheval cabré noir sur

*la magie ferrari book 1997 worldcat org* - May 13 2023

web la magie ferrari jean louis moncet histoire du mythe d'une grande marque automobile qui continue d'être aujourd'hui le point de mire des grands prix de f1 et des voitures de grand tourisme qui perpétuent la tradition du luxe et de [la magie ferrari sciences et techniques french edition](#) - Mar 11 2023

web nov 4 1997 la magie ferrari sciences et techniques french edition moncet jean louis on amazon com free shipping on qualifying offers [la magie ferrari sciences et techniques french edition la magie ferrari book](#) - May 01 2022

web all we give la magie ferrari and numerous book collections from fictions to scientific research in any way along with them is this la magie ferrari that can be your partner la jeune belgique 1894 the singer's repertoire berton coffin 1960 a timeless classic includes 8 200 songs in 818 lists for nine voice classifications indexed by

**la magie translation into english reverso context** - Dec 28 2021

web translation of la magie in english combiné avec cette splendide bague étoile et la magie peut commencer combined with this beautiful ring star and magic can begin cendrillon échappe au déterminisme social grâce à l'opportunité de la magie cinderella escapes social determinism with the opportune help of magic

[la magie ferrari clr imymac com](#) - Aug 04 2022

web la magie ferrari 3 3 and glory 2 5 opus dei an archeology of duty 3 remnants of auschwitz the witness and the archive 4 1 the highest poverty monastic rules and form of life 4 2 the use of bodies dictionnaire d'archéologie chrétienne et [la magie ferrari de jean louis moncet poche livre decitre](#) - Jul 15 2023

web nov 4 1997 il crée un véritable empire et laisse à la postérité un héritage fastueux des voitures de course et de production parmi les plus belles du patrimoine automobile mondial une écurie de course la scuderia ferrari qui a disputé toutes les grandes épreuves de l'histoire et continue d'être le point de mire des grands prix de formule

*la magie ferrari livre d'occasion* - Oct 06 2022

web il crée un véritable empire et laisse un héritage fastueux des voitures de course et de production parmi les plus belles du patrimoine automobile mondial une écurie de course la scuderia ferrari qui a disputé toutes les grandes épreuves de l'histoire et continue d'être le point de mire des grands prix de formule 1 des voitures de

*la magie ferrari jean louis moncet librairie eyrolles* - Jul 03 2022

web enzo ferrari ancien pilote de course se lance au sortir de la guerre dans la construction automobile il crée un véritable empire et laisse un héritage fastueux des voitures de course et de production parmi les plus belles du patrimoine automobile