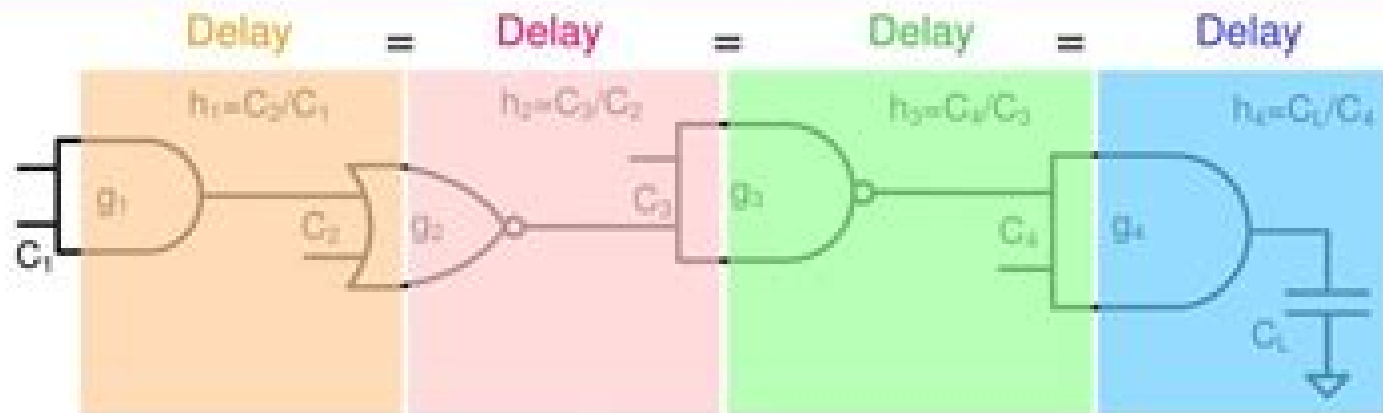


# Logical Effort (*only logic*)



*Delay model*

*Optimal sizing*

$$D_i = \tau \cdot g_i \cdot h_i + p_i$$

$$\text{Delay}_i = \text{Delay}_{i+1}$$

$\tau$  - delay of minimal inverter  $R_0 \cdot C_0$ , technology constant

$g_i$  - logical effort, gate type factor: e.g.  $g_{inv} = 1$

$h_i$  - electrical effort, load driving capability

$p_i$  - parasitic effort, due to output capacitance

$$g_i h_i = g_{i+1} h_{i+1}$$

# [Download Logical Effort Designing Fast Cmos Circuits](#)

**R. M. Marston**



**Download Logical Effort Designing Fast Cmos Circuits:**

## Whispering the Secrets of Language: An Mental Journey through **Download Logical Effort Designing Fast Cmos Circuits**

In a digitally-driven earth wherever monitors reign supreme and immediate interaction drowns out the subtleties of language, the profound strategies and emotional nuances concealed within words usually go unheard. Yet, located within the pages of **Download Logical Effort Designing Fast Cmos Circuits** a charming literary value sporting with natural thoughts, lies a fantastic quest waiting to be undertaken. Published by an experienced wordsmith, this marvelous opus invites visitors on an introspective journey, lightly unraveling the veiled truths and profound influence resonating within the very fabric of each and every word. Within the mental depths with this touching evaluation, we will embark upon a sincere exploration of the book is primary themes, dissect their interesting writing type, and succumb to the effective resonance it evokes heavy within the recesses of readers hearts.

<https://py.bijouxmedusa.com/results/Resources/default.aspx/Rsmmeans%20Electrical%20Cost%20Data%202013%20.pdf>

### **Table of Contents Download Logical Effort Designing Fast Cmos Circuits**

1. Understanding the eBook Download Logical Effort Designing Fast Cmos Circuits
  - The Rise of Digital Reading Download Logical Effort Designing Fast Cmos Circuits
  - Advantages of eBooks Over Traditional Books
2. Identifying Download Logical Effort Designing Fast Cmos Circuits
  - Exploring Different Genres
  - Considering Fiction vs. Non-Fiction
  - Determining Your Reading Goals
3. Choosing the Right eBook Platform
  - Popular eBook Platforms
  - Features to Look for in an Download Logical Effort Designing Fast Cmos Circuits
  - User-Friendly Interface
4. Exploring eBook Recommendations from Download Logical Effort Designing Fast Cmos Circuits
  - Personalized Recommendations

- Download Logical Effort Designing Fast Cmos Circuits User Reviews and Ratings
- Download Logical Effort Designing Fast Cmos Circuits and Bestseller Lists
- 5. Accessing Download Logical Effort Designing Fast Cmos Circuits Free and Paid eBooks
  - Download Logical Effort Designing Fast Cmos Circuits Public Domain eBooks
  - Download Logical Effort Designing Fast Cmos Circuits eBook Subscription Services
  - Download Logical Effort Designing Fast Cmos Circuits Budget-Friendly Options
- 6. Navigating Download Logical Effort Designing Fast Cmos Circuits eBook Formats
  - ePub, PDF, MOBI, and More
  - Download Logical Effort Designing Fast Cmos Circuits Compatibility with Devices
  - Download Logical Effort Designing Fast Cmos Circuits Enhanced eBook Features
- 7. Enhancing Your Reading Experience
  - Adjustable Fonts and Text Sizes of Download Logical Effort Designing Fast Cmos Circuits
  - Highlighting and Note-Taking Download Logical Effort Designing Fast Cmos Circuits
  - Interactive Elements Download Logical Effort Designing Fast Cmos Circuits
- 8. Staying Engaged with Download Logical Effort Designing Fast Cmos Circuits
  - Joining Online Reading Communities
  - Participating in Virtual Book Clubs
  - Following Authors and Publishers Download Logical Effort Designing Fast Cmos Circuits
- 9. Balancing eBooks and Physical Books Download Logical Effort Designing Fast Cmos Circuits
  - Benefits of a Digital Library
  - Creating a Diverse Reading Collection Download Logical Effort Designing Fast Cmos Circuits
- 10. Overcoming Reading Challenges
  - Dealing with Digital Eye Strain
  - Minimizing Distractions
  - Managing Screen Time
- 11. Cultivating a Reading Routine Download Logical Effort Designing Fast Cmos Circuits
  - Setting Reading Goals Download Logical Effort Designing Fast Cmos Circuits
  - Carving Out Dedicated Reading Time
- 12. Sourcing Reliable Information of Download Logical Effort Designing Fast Cmos Circuits
  - Fact-Checking eBook Content of Download Logical Effort Designing Fast Cmos Circuits

- Distinguishing Credible Sources
- 13. Promoting Lifelong Learning
  - Utilizing eBooks for Skill Development
  - Exploring Educational eBooks
- 14. Embracing eBook Trends
  - Integration of Multimedia Elements
  - Interactive and Gamified eBooks

### **Download Logical Effort Designing Fast Cmos Circuits Introduction**

Free PDF Books and Manuals for Download: Unlocking Knowledge at Your Fingertips In today's fast-paced digital age, obtaining valuable knowledge has become easier than ever. Thanks to the internet, a vast array of books and manuals are now available for free download in PDF format. Whether you are a student, professional, or simply an avid reader, this treasure trove of downloadable resources offers a wealth of information, conveniently accessible anytime, anywhere. The advent of online libraries and platforms dedicated to sharing knowledge has revolutionized the way we consume information. No longer confined to physical libraries or bookstores, readers can now access an extensive collection of digital books and manuals with just a few clicks. These resources, available in PDF, Microsoft Word, and PowerPoint formats, cater to a wide range of interests, including literature, technology, science, history, and much more. One notable platform where you can explore and download free Download Logical Effort Designing Fast Cmos Circuits PDF books and manuals is the internet's largest free library. Hosted online, this catalog compiles a vast assortment of documents, making it a veritable goldmine of knowledge. With its easy-to-use website interface and customizable PDF generator, this platform offers a user-friendly experience, allowing individuals to effortlessly navigate and access the information they seek. The availability of free PDF books and manuals on this platform demonstrates its commitment to democratizing education and empowering individuals with the tools needed to succeed in their chosen fields. It allows anyone, regardless of their background or financial limitations, to expand their horizons and gain insights from experts in various disciplines. One of the most significant advantages of downloading PDF books and manuals lies in their portability. Unlike physical copies, digital books can be stored and carried on a single device, such as a tablet or smartphone, saving valuable space and weight. This convenience makes it possible for readers to have their entire library at their fingertips, whether they are commuting, traveling, or simply enjoying a lazy afternoon at home. Additionally, digital files are easily searchable, enabling readers to locate specific information within seconds. With a few keystrokes, users can search for keywords, topics, or phrases, making research and finding relevant information a breeze. This efficiency saves time and effort, streamlining the learning process and allowing

individuals to focus on extracting the information they need. Furthermore, the availability of free PDF books and manuals fosters a culture of continuous learning. By removing financial barriers, more people can access educational resources and pursue lifelong learning, contributing to personal growth and professional development. This democratization of knowledge promotes intellectual curiosity and empowers individuals to become lifelong learners, promoting progress and innovation in various fields. It is worth noting that while accessing free Download Logical Effort Designing Fast Cmos Circuits PDF books and manuals is convenient and cost-effective, it is vital to respect copyright laws and intellectual property rights. Platforms offering free downloads often operate within legal boundaries, ensuring that the materials they provide are either in the public domain or authorized for distribution. By adhering to copyright laws, users can enjoy the benefits of free access to knowledge while supporting the authors and publishers who make these resources available. In conclusion, the availability of Download Logical Effort Designing Fast Cmos Circuits free PDF books and manuals for download has revolutionized the way we access and consume knowledge. With just a few clicks, individuals can explore a vast collection of resources across different disciplines, all free of charge. This accessibility empowers individuals to become lifelong learners, contributing to personal growth, professional development, and the advancement of society as a whole. So why not unlock a world of knowledge today? Start exploring the vast sea of free PDF books and manuals waiting to be discovered right at your fingertips.

### **FAQs About Download Logical Effort Designing Fast Cmos Circuits Books**

How do I know which eBook platform is the best for me? Finding the best eBook platform depends on your reading preferences and device compatibility. Research different platforms, read user reviews, and explore their features before making a choice. Are free eBooks of good quality? Yes, many reputable platforms offer high-quality free eBooks, including classics and public domain works. However, make sure to verify the source to ensure the eBook credibility. Can I read eBooks without an eReader? Absolutely! Most eBook platforms offer web-based readers or mobile apps that allow you to read eBooks on your computer, tablet, or smartphone. How do I avoid digital eye strain while reading eBooks? To prevent digital eye strain, take regular breaks, adjust the font size and background color, and ensure proper lighting while reading eBooks. What the advantage of interactive eBooks? Interactive eBooks incorporate multimedia elements, quizzes, and activities, enhancing the reader engagement and providing a more immersive learning experience. Download Logical Effort Designing Fast Cmos Circuits is one of the best book in our library for free trial. We provide copy of Download Logical Effort Designing Fast Cmos Circuits in digital format, so the resources that you find are reliable. There are also many Ebooks of related with Download Logical Effort Designing Fast Cmos Circuits. Where to download Download Logical Effort Designing Fast Cmos

Circuits online for free? Are you looking for Download Logical Effort Designing Fast Cmos Circuits PDF? This is definitely going to save you time and cash in something you should think about.

**Find Download Logical Effort Designing Fast Cmos Circuits :**

**rsmeans electrical cost data 2013**

**sales agency labor and other commercial law**

sabores el libro de postres spanish edition

rita hayworth and shawshank redemption download

renewable energy project development under the clean development mechanism a guide for latin america environmental market insights

rs aggarwal solution class 12

roland ba 330 manual

renewable energy resources tiwari

**ricoh fax 1190l manual**

rice cooker vegan 50 easy to make vegan rice cooker recipes vegan rice cooker vegan rice cooker recipes rice cooker vegan

recipes vegan bowl vegan bowl attack vegan bowls

*rizzoni electrical engineering solution manual*

retold by margaret tarner macmillan education ebooks

**same titan 190 service manual haiziore**

**representation theory a homological algebra point of view algebra and applications**

~~russian revolution concept map~~

**Download Logical Effort Designing Fast Cmos Circuits :**

**corvettes images stories about america s great sp download** - Feb 12 2022

web 4 corvettes images stories about america s great sp 2022 10 03 has been a dream car for many a youngster while growing up from young military men to middle aged family men looking for the one of a kind thrill offered by america s favorite sports car corvette stories from the backbone of america tells the stories of those who

corvettes images stories about america s great sports car - Oct 03 2023

web jul 15 2019 corvettes images stories about america s great sports car kindle edition by goldstein harvey download it

once and read it on your kindle device pc phones or tablets use features like bookmarks note taking and highlighting while reading corvettes images stories about america s great sports car

*60 years of corvette photo gallery autoblog* - May 30 2023

web aug 8 2013 60 years of corvette autoblog staff aug 8 2013 the all new 2014 chevrolet corvette stingray s provocative exterior styling is as functional as it is elegant every line vent inlet and

[corvettes images stories about america s great sp pdf](#) - Jul 20 2022

web corvette 1968 1982 corvettes images stories about america s great sp downloaded from implantes odontocompany com by guest sosa ray corvette stingray motorbooks international as the original american sports car the chevrolet corvette has come to represent power freedom and sexuality for more than half a century yet it also hints at

*corvettes images stories about america s great sp full pdf* - Aug 21 2022

web 2 corvettes images stories about america s great sp 2022 02 25 corvettes images stories about america s great sp downloaded from mucho goldenpalace com by guest maddox quinn corvette america s sports car yesterday today tomorrow univ of california press this book tells the full history of america s best loved sports car from

[corvettes images stories about america s great sp full pdf](#) - Sep 02 2023

web corvette america s sports car yesterday today tomorrow amos hobby the officially licensed corvette stingray the mid engine revolution chronicles the full development story behind chevrolet s re imagined sports car with an

*corvettes images stories about america s great sp 2023* - Mar 28 2023

web corvettes images stories about america s great sp zora arkus duntov all corvettes are red corvette sixty years corvettes canada the chevrolet corvette this old corvette corvette illustrated encyclopedia corvette 70 years classic corvettes corvette america s star spangled sports car citroen the corvette in literature and culture

**corvettes images stories about america s great sp** - Mar 16 2022

web this on line message corvettes images stories about america s great sp as skillfully as review them wherever you are now corvettes images stories about america s great sp

[corvettes images stories about america s great sp](#) - Sep 21 2022

web for more than a half century the corvette has been celebrated as america s sports car by owners and enthusiasts since the first model rolled off the assembly line on june 29 1953 it has been

[corvettes images stories about america s great sp 2022](#) - Jun 18 2022

web 2 corvettes images stories about america s great sp 2022 11 22 destroyers gatineau and chaudiere the frigate st catharines the corvettes chilliwack and fennel and the rn destroyer icarus

*corvettes images stories about america s great sp pdf* - May 18 2022

web corvettes images stories about america s great sp the all american muscle car the complete book of corvette corvette american legend vol 1 corvette stingray corvettes collector s originality guide corvette 1968 1982 corvette corvette corvette america s sports car corvette corvette from the inside corvette corvette the ultimate history of

**corvettes photos and premium high res pictures getty images** - Jun 30 2023

web browse 2 872 authentic corvettes stock photos high res images and pictures or explore additional sports cars or classic cars stock images to find the right photo at the right size and resolution for your project

corvettes images stories about america s great sp download - Oct 23 2022

web corvettes images stories about america s great sp corvette corvette concept cars corvette corvette stingray corvette corvette american legend vol 1 this old corvette collector s originality guide corvette 1968 1982 corvette corvette collector s originality guide corvette c4 1984 1996 corvette corvette sting ray corvettes the corvette in

corvettes images stories about america s great sp 2022 - Apr 16 2022

web this book tells the full history of america s best loved sports car from its 1953 debut to the new 2020 corvette named motortrend s car of the year hundreds of color photos and concise captions every model year all the special models and secret prototypes are featured rare factory images and

**corvettes images stories about america s great sp download** - Dec 25 2022

web the complete book of corvette corvettes images stories about america s great sp downloaded from crmtest seniormarketadvisors com by guest moyer brenden the complete book of corvette motorbooks the officially licensed corvette stingray the mid engine revolution chronicles the full development story behind chevrolet s re imagined

corvette pictures thousands of images photos by year - Aug 01 2023

web the ultimate collection of corvette images and photos all organized by year in the humble beginning was the c1 corvette the c2 corvette was known as the sting ray and boy did it look amazing the c3 corvette was patterned after the mako shark ii concept few cars in history have ever been more eagerly anticipated than the arrival of the c4

**corvette history picture gallery edmunds** - Feb 24 2023

web nov 8 2011 corvette history picture gallery corvette history picture gallery november 8th 2011 it s an automotive feast for the eyes and a great way to get to know corvettes from every angle

corvettes images stories about america s great sp download - Apr 28 2023

web personal histories of corvette s greatest visionaries harley earl zora arkus duntov and bill mitchell and tells how each of their fates were indelibly intertwined with the rich and sometimes

corvettes images stories about america s great sp download - Nov 23 2022

web photos of these classic sportscars with great stories from corvette owners as you explore the words and images you ll

gain a new appreciation for the beauty and engineering of these cars and learn

**corvettes images stories about america s great sp** - Jan 26 2023

web corvette america s sports car yesterday today tomorrow documents the genesis and evolution of this treasured american icon through many never before published photographs from the archives of general motors as well as a comprehensive story drawn from exclusive interviews with

*more than allegory on religious myth truth and belief* - Sep 15 2023

web apr 29 2016 more than allegory is an absolutely stunning intellectually appealing and emotionally satisfying defense of the meaning of religious myth in our secular age i m sure this description would ruffle the feathers of secular minded people but be assured that bernardo is no dogmatist

**more than allegory on apple books** - Nov 05 2022

web part i puts forward the controversial notion that many religious myths are actually true and not just allegorically so part ii argues that our own inner storytelling plays a surprising role in creating the seeming concreteness of things and the tangibility of history

**more than allegory on religious myth truth and belief** - Jun 12 2023

web apr 29 2016 buy more than allegory on religious myth truth and belief by bernardo kastrup isbn 9781785352874 from amazon s book store everyday low prices and free delivery on eligible orders

[more than allegory on religious myth truth and belief](#) - Apr 10 2023

web more than allegory on religious myth truth and belief bernardo kastrup winchester uk iff books 2016 copy bibtex abstract this book is a three part journey into the rabbit hole we call the nature of reality its ultimate destination is a plausible living validation of

[more than allegory on religious myth truth and belief by](#) - May 31 2022

web apr 29 2016 buy more than allegory on religious myth truth and belief by bernardo kastrup available in used condition with free delivery in the uk isbn 9781785352874

**more than allegory on religious myth truth and belief mobi** - Mar 29 2022

web more than allegory on religious myth truth and belief mobi 2omqdtssq7bg this book is a three part journey into the rabbit hole we call the nature of reality its ultimate destination is a plau

**more than allegory on religious myth truth and belief** - Feb 08 2023

web apr 29 2016 overview this book is a three part journey into the rabbit hole we call the nature of reality its ultimate destination is a plausible living validation of transcendence each of its three parts is like a turn of a spiral exploring recurring ideas through the prisms of religious myth truth and belief respectively

*more than allegory on religious myth truth and belief* - Sep 03 2022

web he shows how certain religious myths are true not literally or allegorically but transcendently so for they symbolize ideas emerging from the mind of god in part 3 he proposes another religious myth a whole modern cosmogony of his own bernardo kastrup is the bishop berkeley of the modern age

**more than allegory on religious myth truth and belief** - Mar 09 2023

web apr 29 2016 *more than allegory on religious myth truth and belief* paperback april 29 2016 this book is a three part journey into the rabbit hole we call the nature of reality its ultimate destination is a plausible living validation of transcendence

[more than allegory on religious myth truth and belief goodreads](#) - Aug 14 2023

web jan 1 2016 *more than allegory* is a fast paced introduction to jungian principles vedantic non dualism joseph campbell comparative religion classic hermeticism and christian esotericism through bernardo s own lens of modern scientifically literate idealism

**more than allegory on religious myth truth and belief** - Oct 04 2022

web *more than allegory on religious myth truth and belief* ebook kastrup bernardo amazon in books books religion spirituality religious studies follow the author bernardo kastrup *more than allegory on religious myth truth and belief* kindle edition by bernardo kastrup author format kindle edition 248 ratings see all formats

**amazon com customer reviews more than allegory on religious myth** - Aug 02 2022

web may 19 2016 *more than allegory on religious myth truth and belief* is the sixth and latest work of dr bernardo kastrup and it is the capstone in his development of an ontology that began with his first publication ten years ago rational spirituality and extends through his fourth and fifth publications why materialism is baloney and brief peeks beyond

**more than allegory on religious myth truth and belief** - May 11 2023

web *more than allegory on religious myth truth and belief* audible audiobook unabridged bernardo kastrup author matthew josdal narrator 1 more 214 ratings see all formats and editions kindle 8 49 read with our free app audiobook 0 00 free with your audible trial

**more than allegory on religious myth truth and belief** - Feb 25 2022

web *more than allegory on religious myth truth and belief* bernardo kastrup format paperback view other formats and editions customer rating view ratings r 359 00 price and availability exclusive to website you could earn 359 points link your fanatics card join here estimated delivery approx 10 15 business days add to cart add to

[more than allegory on religious myth truth and belief](#) - Jan 07 2023

web listen to *more than allegory on religious myth truth and belief* on spotify

**more than allegory on religious myth truth and belief** - Apr 29 2022

web more than allegory on religious myth truth and belief taschenbuch 29 april 2016 englisch ausgabe von bernardo kastrup autor 316 sternebewertungen alle formate und editionen anzeigen kindle 5 24 lies mit kostenfreier app hörbuch 0 00 gratis im audible probemonat taschenbuch 15 80 weitere in den kategorien neu und

**more than allegory on religious myth truth and belief** - Jul 13 2023

web apr 29 2016 john hunt publishing apr 29 2016 philosophy 264 pages this book is a three part journey into the rabbit hole we call the nature of reality its ultimate destination is a plausible living

**more than allegory on religious myth truth and belief by** - Jan 27 2022

web isbn 13 9781785352874 978 1785352874 more than allegory on religious myth truth and belief author s bernardo kastrup each of its three parts is like a turn of a spiral exploring recurring ideas through the prisms of religious myth

more than allegory on religious myth truth and belief by - Dec 06 2022

web apr 29 2016 synopsis this book is a three part journey into the rabbit hole we call the nature of reality its ultimate destination is a plausible living validation of transcendence each of its three parts is like a turn of a spiral exploring recurring ideas through the prisms of religious myth truth and belief respectively

*more than allegory on religious myth truth and belief* - Jul 01 2022

web jun 22 2021 listen free to more than allegory on religious myth truth and belief audiobook by bernardo kastrup with a 30 day free trial stream and download audiobooks to your computer tablet and ios and android devices

*die fröhliche klarinette überarbeitete neuauflage spielbuch 2 2 4* - Sep 08 2022

web app bücher die fröhliche klarinette Überarbeitete neuauflage spielbuch 1 2 3 klarinetten klarinette un warum ist lesen gut die fröhl

die fröhliche klarinette Überarbeitete neuauflage blogger - Apr 03 2022

web apr 14 2023 jetzt kaufen die frohliche klarinette uberarbeitete neuauflage pdf irbrora jul 26 2021 2 and definitive work on the graphic design revolution within the punk and

die fröhliche klarinette klarinettenschule für den frühen anfang - Jan 12 2023

web die fröhliche klarinette klarinettenschule für den frühen anfang Überarbeitete neuauflage band 3 klarinette lehrbuch die fröhliche klarinette band 3 mauz

*die fröhliche klarinette Überarbeitete neuauflage abebooks* - Feb 13 2023

web abebooks com die fröhliche klarinette Überarbeitete neuauflage playbook 2 2 4 clarinets clarinet and piano recueil de pièces instrumentales 9783795748104 by

**download die fröhliche klarinette Überarbeitete neuauflage** - May 04 2022

web lesequiz die fröhliche klarinette Überarbeitete neuauflage spielbuch 2 2 4 klarinetten klarinette un leseübungen online die fröhlich

*reihe die fröhliche klarinette schott music* - Mar 14 2023

web mit dem lehrbuch die fröhliche klarinette von rudolf mauz ist der lernspaß garantiert das standardwerk unter den klarinettenschulen wird seit jahrzehnten im unterricht

**die fröhliche klarinette klarinettenschule für den frühen anfang** - Jun 17 2023

web bewährtes system in neuem gewand die neuauflage der klarinettenschule erscheint mit moderner typographie revidierten texten zusätzlichen beliebten stücken und neuem

**neuaufgabe die fröhliche klarinette youtube** - Nov 10 2022

web überarbeitete neuauflage klarinette noten die fröhliche klarinette spielbuch 2 die fröhliche klarinette klarinettenschule für den frühen die fröhliche klarinette band 2 cd

die fröhliche klarinette überarbeitete neuauflage spielbuch 2 2 4 - Nov 29 2021

**die frohliche klarinette uberarbeitete neuauflage** - Jun 05 2022

web die fröhliche klarinette Überarbeitete neuauflage spielbuch 1 2 3 klarinetten klarinette un you does download this ebook i contribute downloads as a pdf kindle dx

die fröhliche klarinette Überarbeitete neuauflage spielbuch 3 - Jul 18 2023

web mauz rudolf die fröhliche klarinette Überarbeitete neuauflage spielbuch 3 2 4 klarinetten klarinette und klavier spielbuch jetzt kaufen kundrezensionen und sterne

*die fröhliche klarinette klarinettenschule für den frühen anfang* - Dec 31 2021

web klarinette spielbuch 2 klarinetten mauz die fröhliche klarinette band 2 download pdf rudolf mauz sheet music die fröhliche klarinette clarinet and piano much ado about jack

**die fröhliche klarinette überarbeitete neuauflage spielbuch 2 2 4** - Feb 01 2022

web die neuauflage der mauz klarinettenschule behält das bewährte system des vorigen heftes bei erscheint aber in einem überarbeiteten gesamtbild moderne typographie

die fröhliche klarinette Überarbeitete neuauflage abebooks - Apr 15 2023

web abebooks com die fröhliche klarinette Überarbeitete neuauflage playbook 1 2 3 clarinets clarinet and piano recueil de pièces instrumentales 9783795747688 by

die fröhliche klarinette klarinettenschule für den frühen anfang - Aug 19 2023

web die neuauflage der mauz klarinettenschule behält das bewährte system des vorigen heftes bei erscheint aber in einem

überarbeiteten gesamtbild moderne typographie

download die fröhliche klarinette Überarbeitete neuauflage - Jul 06 2022

web this die frohliche klarinette uberarbeitete neuauflage as one of the most in force sellers here will unquestionably be in the midst of the best options to review

die frohliche klarinette uberarbeitete neuauflage - Mar 02 2022

web may 27 2023 die fröhliche klarinette überarbeitete neuauflage die fröhliche klarinette spielbuch 2 rudolf mauz die frohliche klarinette band 2 by rudolf mauz method die

**die fröhliche klarinette Überarbeitete neuauflage spielbuch 1** - May 16 2023

web die fröhliche klarinette Überarbeitete neuauflage spielbuch 1 2 3 klarinetten klarinette und klavier spielbuch die fröhliche klarinette spielbuch 1 mauz rudolf

die fröhliche klarinette band 1 von rudolf mauz im alle - Dec 11 2022

web isbn 9783795747732 erstmals erschienen ist diese begleit cd für c klarinette zu der klarinettenschule die fröhliche klarinette band 1 der stetig wachsende anteil der

**die fröhliche klarinette Überarbeitete neuauflage spielbuch 1** - Aug 07 2022

web die fröhliche klarinette Überarbeitete neuauflage spielbuch 1 2 3 klarinetten klarinette un you may take this ebook i cater downloads as a pdf amazondx word txt

**die fröhliche klarinette überarbeitete neuauflage spielbuch 2 2 4** - Oct 09 2022

web neuauflage die frohliche klarinette uberarbeitete neuauflage die frohliche klarinette spielbuch 2 clarinette die fröhliche klarinette spielbuch 2 klarinetten mauz die