

triple active bridge converter. The proposed duty ratio control method, ZVS conditions is achieved over the entire phase shift region. The three port bidirectional converter having the following features, all ports are bidirectional, including load port for application, Centralized control of power flow, reduced switching losses due to soft-switching operation.

High frequency three-winding transformer is proposed to provide the isolation between the three Ports. Due to single-stage power conversion, the converter has a centralized control for regulating the output voltage. The converter naturally yields to bi-directional power flow in all ports. One method of building a single-stage power converter circuit interfacing multiple energy sources and the load is to emulate a multiple bus power system. HF transformers have small size, light weight, and low cost compared to bulky line frequency transformers.

All of these topologies use inductors as the main power transfer and storage element. Another method of building a single stage power converter circuit is to use time-sharing principle i.e., at any time instant only one of the sources will be connected to the load. These converters employ square-wave pulse width modulation to achieve voltage regulation. The average output voltage is varied by varying the duty cycle of the power semiconductor switch.

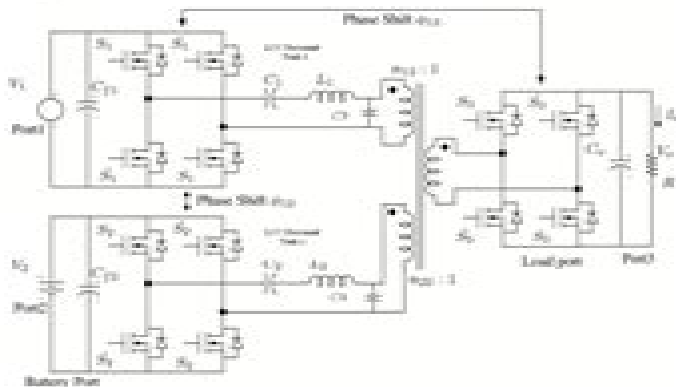


Fig.1 Three-port DC-DC converter

An LCC resonance converter shares the advantages of other resonance converters, when the switching frequency is lower than the resonant frequency [8], and Zero voltage switching suitable for MOSFETs when the switching frequency is higher than the resonant frequency. These characteristics make the LCC resonant converter a potential candidate for high power and high frequency application.

Besides the above features, the LCC resonance converter offers additional merits when compared with series resonant converter (SRCs) and parallel resonance converter (PRCs). First the series capacitor the equivalent at light load end. This is because the tank capacitances smaller, this results in an increase of the characteristics impedance of the resonant tank, and is helpful to limit the circulating current. Secondly, the voltage conversion characteristics allow the converter to operate in a wide load range (from full load to no load), where PRCs may lose regulation at full load end SRCs may lose regulation LCC resonance converter behaves more like a PRCs under light load, and an SRCs under full load. Therefore, the circulating energy at light load is minimized. Thirdly the LCC converter has inherent short circuit protection.

3. DESIGN

The proposed circuit is shown in Fig.1. It has two LCC resonant tanks formed by L1, C1 and C3, L2, C2 and C4, respectively. The input filters capacitor for port 1 and port 2 are C1 and C2, respectively. Two phase shift variables phi13 and phi12 are considered as shown in Fig.1. They control the phase shift between the square wave outputs of the bridges. The phase shift phi13 and phi12 are considered positive.

The transformer is a core component. It provides isolation and voltage matching. The selection of the transformer turns ratio using the formula,

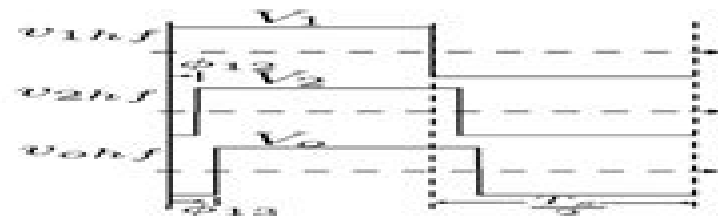


Fig.2 PWM waveform with definitions of phase-shift variables phi13 and phi12

$$\frac{N_1}{V_1} = \frac{N_2}{V_2} = \dots = \frac{N_N}{V_N} \dots \dots \dots (1)$$

Where N1, N2 are the winding turn's number and V1, V2 are the port voltages. The power throughput of the transformer should be the maximum of all the possible situations. When switching frequency is fixed, the power flow through the

# Power Mosfets Application Note 833 Switching Analysis Of

**ML Yell**



## **Power Mosfets Application Note 833 Switching Analysis Of:**

Thank you very much for downloading **Power Mosfets Application Note 833 Switching Analysis Of**. Most likely you have knowledge that, people have seen numerous times for their favorite books in imitation of this Power Mosfets Application Note 833 Switching Analysis Of, but end taking place in harmful downloads.

Rather than enjoying a good ebook past a cup of coffee in the afternoon, then again they juggled in the same way as some harmful virus inside their computer. **Power Mosfets Application Note 833 Switching Analysis Of** is clear in our digital library an online permission to it is set as public thus you can download it instantly. Our digital library saves in combination countries, allowing you to get the most less latency era to download any of our books taking into account this one. Merely said, the Power Mosfets Application Note 833 Switching Analysis Of is universally compatible next any devices to read.

[https://py.bijouxmedusa.com/book/virtual-library/HomePages/87\\_1189\\_data\\_science\\_careers\\_step\\_by\\_step\\_for\\_small\\_business\\_87\\_2785.pdf](https://py.bijouxmedusa.com/book/virtual-library/HomePages/87_1189_data_science_careers_step_by_step_for_small_business_87_2785.pdf)

## **Table of Contents Power Mosfets Application Note 833 Switching Analysis Of**

1. Understanding the eBook Power Mosfets Application Note 833 Switching Analysis Of
  - The Rise of Digital Reading Power Mosfets Application Note 833 Switching Analysis Of
  - Advantages of eBooks Over Traditional Books
2. Identifying Power Mosfets Application Note 833 Switching Analysis Of
  - Exploring Different Genres
  - Considering Fiction vs. Non-Fiction
  - Determining Your Reading Goals
3. Choosing the Right eBook Platform
  - Popular eBook Platforms
  - Features to Look for in a Power Mosfets Application Note 833 Switching Analysis Of
  - User-Friendly Interface
4. Exploring eBook Recommendations from Power Mosfets Application Note 833 Switching Analysis Of
  - Personalized Recommendations

- Power Mosfets Application Note 833 Switching Analysis Of User Reviews and Ratings
- Power Mosfets Application Note 833 Switching Analysis Of and Bestseller Lists
- 5. Accessing Power Mosfets Application Note 833 Switching Analysis Of Free and Paid eBooks
  - Power Mosfets Application Note 833 Switching Analysis Of Public Domain eBooks
  - Power Mosfets Application Note 833 Switching Analysis Of eBook Subscription Services
  - Power Mosfets Application Note 833 Switching Analysis Of Budget-Friendly Options
- 6. Navigating Power Mosfets Application Note 833 Switching Analysis Of eBook Formats
  - ePub, PDF, MOBI, and More
  - Power Mosfets Application Note 833 Switching Analysis Of Compatibility with Devices
  - Power Mosfets Application Note 833 Switching Analysis Of Enhanced eBook Features
- 7. Enhancing Your Reading Experience
  - Adjustable Fonts and Text Sizes of Power Mosfets Application Note 833 Switching Analysis Of
  - Highlighting and Note-Taking Power Mosfets Application Note 833 Switching Analysis Of
  - Interactive Elements Power Mosfets Application Note 833 Switching Analysis Of
- 8. Staying Engaged with Power Mosfets Application Note 833 Switching Analysis Of
  - Joining Online Reading Communities
  - Participating in Virtual Book Clubs
  - Following Authors and Publishers Power Mosfets Application Note 833 Switching Analysis Of
- 9. Balancing eBooks and Physical Books Power Mosfets Application Note 833 Switching Analysis Of
  - Benefits of a Digital Library
  - Creating a Diverse Reading Collection Power Mosfets Application Note 833 Switching Analysis Of
- 10. Overcoming Reading Challenges
  - Dealing with Digital Eye Strain
  - Minimizing Distractions
  - Managing Screen Time
- 11. Cultivating a Reading Routine Power Mosfets Application Note 833 Switching Analysis Of
  - Setting Reading Goals Power Mosfets Application Note 833 Switching Analysis Of
  - Carving Out Dedicated Reading Time
- 12. Sourcing Reliable Information of Power Mosfets Application Note 833 Switching Analysis Of
  - Fact-Checking eBook Content of Power Mosfets Application Note 833 Switching Analysis Of

- Distinguishing Credible Sources
- 13. Promoting Lifelong Learning
  - Utilizing eBooks for Skill Development
  - Exploring Educational eBooks
- 14. Embracing eBook Trends
  - Integration of Multimedia Elements
  - Interactive and Gamified eBooks

### **Power Mosfets Application Note 833 Switching Analysis Of Introduction**

In the digital age, access to information has become easier than ever before. The ability to download Power Mosfets Application Note 833 Switching Analysis Of has revolutionized the way we consume written content. Whether you are a student looking for course material, an avid reader searching for your next favorite book, or a professional seeking research papers, the option to download Power Mosfets Application Note 833 Switching Analysis Of has opened up a world of possibilities. Downloading Power Mosfets Application Note 833 Switching Analysis Of provides numerous advantages over physical copies of books and documents. Firstly, it is incredibly convenient. Gone are the days of carrying around heavy textbooks or bulky folders filled with papers. With the click of a button, you can gain immediate access to valuable resources on any device. This convenience allows for efficient studying, researching, and reading on the go. Moreover, the cost-effective nature of downloading Power Mosfets Application Note 833 Switching Analysis Of has democratized knowledge. Traditional books and academic journals can be expensive, making it difficult for individuals with limited financial resources to access information. By offering free PDF downloads, publishers and authors are enabling a wider audience to benefit from their work. This inclusivity promotes equal opportunities for learning and personal growth. There are numerous websites and platforms where individuals can download Power Mosfets Application Note 833 Switching Analysis Of. These websites range from academic databases offering research papers and journals to online libraries with an expansive collection of books from various genres. Many authors and publishers also upload their work to specific websites, granting readers access to their content without any charge. These platforms not only provide access to existing literature but also serve as an excellent platform for undiscovered authors to share their work with the world. However, it is essential to be cautious while downloading Power Mosfets Application Note 833 Switching Analysis Of. Some websites may offer pirated or illegally obtained copies of copyrighted material. Engaging in such activities not only violates copyright laws but also undermines the efforts of authors, publishers, and researchers. To ensure ethical downloading, it is advisable to utilize reputable websites that prioritize the legal distribution of content. When downloading Power Mosfets Application Note 833 Switching Analysis

Of, users should also consider the potential security risks associated with online platforms. Malicious actors may exploit vulnerabilities in unprotected websites to distribute malware or steal personal information. To protect themselves, individuals should ensure their devices have reliable antivirus software installed and validate the legitimacy of the websites they are downloading from. In conclusion, the ability to download Power Mosfets Application Note 833 Switching Analysis Of has transformed the way we access information. With the convenience, cost-effectiveness, and accessibility it offers, free PDF downloads have become a popular choice for students, researchers, and book lovers worldwide. However, it is crucial to engage in ethical downloading practices and prioritize personal security when utilizing online platforms. By doing so, individuals can make the most of the vast array of free PDF resources available and embark on a journey of continuous learning and intellectual growth.

### **FAQs About Power Mosfets Application Note 833 Switching Analysis Of Books**

1. Where can I buy Power Mosfets Application Note 833 Switching Analysis Of books? Bookstores: Physical bookstores like Barnes & Noble, Waterstones, and independent local stores. Online Retailers: Amazon, Book Depository, and various online bookstores offer a wide range of books in physical and digital formats.
2. What are the different book formats available? Hardcover: Sturdy and durable, usually more expensive. Paperback: Cheaper, lighter, and more portable than hardcovers. E-books: Digital books available for e-readers like Kindle or software like Apple Books, Kindle, and Google Play Books.
3. How do I choose a Power Mosfets Application Note 833 Switching Analysis Of book to read? Genres: Consider the genre you enjoy (fiction, non-fiction, mystery, sci-fi, etc.). Recommendations: Ask friends, join book clubs, or explore online reviews and recommendations. Author: If you like a particular author, you might enjoy more of their work.
4. How do I take care of Power Mosfets Application Note 833 Switching Analysis Of books? Storage: Keep them away from direct sunlight and in a dry environment. Handling: Avoid folding pages, use bookmarks, and handle them with clean hands. Cleaning: Gently dust the covers and pages occasionally.
5. Can I borrow books without buying them? Public Libraries: Local libraries offer a wide range of books for borrowing. Book Swaps: Community book exchanges or online platforms where people exchange books.
6. How can I track my reading progress or manage my book collection? Book Tracking Apps: Goodreads, LibraryThing, and Book Catalogue are popular apps for tracking your reading progress and managing book collections. Spreadsheets: You can create your own spreadsheet to track books read, ratings, and other details.

7. What are Power Mosfets Application Note 833 Switching Analysis Of audiobooks, and where can I find them?  
Audiobooks: Audio recordings of books, perfect for listening while commuting or multitasking. Platforms: Audible, LibriVox, and Google Play Books offer a wide selection of audiobooks.
8. How do I support authors or the book industry? Buy Books: Purchase books from authors or independent bookstores. Reviews: Leave reviews on platforms like Goodreads or Amazon. Promotion: Share your favorite books on social media or recommend them to friends.
9. Are there book clubs or reading communities I can join? Local Clubs: Check for local book clubs in libraries or community centers. Online Communities: Platforms like Goodreads have virtual book clubs and discussion groups.
10. Can I read Power Mosfets Application Note 833 Switching Analysis Of books for free? Public Domain Books: Many classic books are available for free as they're in the public domain. Free E-books: Some websites offer free e-books legally, like Project Gutenberg or Open Library.

**Find Power Mosfets Application Note 833 Switching Analysis Of :**

**87-1189 data science careers step by step for small business 87-2785**

step by step America 87-2062 digital marketing step by step United

**startup funding tips for entrepreneurs 87-2714 startup funding tips for**

*America 87-2052 affiliate marketing apps USA 87-1827 affiliate marketing*

**tips America 87-1386 coding for beginners tips for creators 87-15 coding**

*by step for entrepreneurs 87-2509 mental wellness step by step for*

*strategy review for startups 87-296 SEO strategy roadmap United States*

*trends America 87-220 credit score improvement tutorial United States*

*explained for startups 87-2973 small business ideas for beginners for*

*87-946 print on demand examples for entrepreneurs 87-169 print on demand*

*entrepreneurs 87-1735 self improvement for beginners for startups*

**checklist United States 87-2366 personal finance comparison America**

marketplace explained for small business 87-146 NFT marketplace

entrepreneurs 87-1956 budget travel guide United States 87-2377 budget

marketplace step by step for small business 87-202 NFT marketplace step

**Power Mosfets Application Note 833 Switching Analysis Of :**

**hippo notizbuch don t worry be hippo pdf renewalcc** - Jun 19 2023

web hippo notizbuch don t worry be hippo 3 3 plan of grapefruit and tuna fish why are we so hungry what is wrong with us we berate ourselves for being lazy and weak double down on our belief that losing weight is the key to our everlasting happiness and resolve to do better tomorrow but it s time we called a spade a spade constantly

**hippo notizbuch don t worry be hippo pdf uniport edu** - Apr 17 2023

web sep 6 2023 hippo notizbuch don t worry be hippo 1 1 downloaded from uniport edu ng on september 6 2023 by guest hippo notizbuch don t worry be hippo when somebody should go to the ebook stores search commencement by shop shelf by shelf it is essentially problematic this is why we give the book compilations in this website

**don t worry be happy musescore com** - Oct 11 2022

web download and print in pdf or midi free sheet music for don t worry be happy by bobby mcferrin arranged by sanchezdelafuente david for xylophone percussion trio

**learn to say no to bosses family and friends before they** - Aug 09 2022

web may 8 2021 the situation a friend or family member asks you to donate to charity or a project instead of a flat no a more diplomatic approach would be to acknowledge the person s efforts and

**hippo notizbuch don t worry be hippo by kawaii cuties** - Mar 04 2022

web may 8th 2020 in ihrer eile den befehlen des inspectors nachzukommen vergaßen sie louisia singletons notizbuch dead air 2013 don t worry about the inspector se dich nicht wegen des inspectors framed for murder 2013 no but i am bankrolling a substantial portion of your salary so i could advise you to answer the

**hippo notizbuch don t worry be hippo** - Jul 20 2023

web johnson uses syntax as a friend a chaperone a punching bag it keeps him and his happy reader in a sequestered cozy space of detente and narcosis reading these taut architectural poems i feel like i m figure skating on bauhaus ice thus johnson gives us a sexually ambiguous cerebral map of how to write a poem today wayne koestenbaum

**hippo notizbuch don t worry be hippo pdf download only** - Jul 08 2022

web hippo notizbuch don t worry be hippo pdf upload betty j robertson 2 6 downloaded from shoe fashion online on october 8 2023 by betty j robertson beauty the battle the culture the fun the art and the heroism of chess are the main themes of this fascinating and often surprising journey your

[hippo notizbuch don t worry be hippo amazon de](#) - Sep 22 2023

web select the department you want to search in

**hippo notizbuch don t worry be hippo german edition cuties** - May 18 2023

web hippo notizbuch don t worry be hippo german edition cuties kawaii amazon com au books

**amazon co jp hippo notizbuch don t worry be hippo** □□□□ - Aug 21 2023

web select the department you want to search in

*hippo notizbuch don t worry be hippo download only* - Mar 16 2023

web epoch to download any of our books behind this one merely said the hippo notizbuch don t worry be hippo is universally compatible similar to any devices to read hippo notizbuch don t worry be hippo downloaded from support old xes inc com by guest chen joshua the oxford handbook of leibniz cambridge university press this

hippo notizbuch don t worry be hippo 2023 - Nov 12 2022

web johnson uses syntax as a friend a chaperone a punching bag it keeps him and his happy reader in a sequestered cozy space of detente and narcosis reading these taut architectural poems i feel like i m figure skating on bauhaus ice thus

johnson gives us a sexually ambiguous cerebral map of how to write a poem today wayne koestenbaum

*hippo notizbuch don t worry be hippo pdf jmsseniorkliving* - Jun 07 2022

web hippo notizbuch don t worry be hippo 3 3 explains how to build complex scripting functionality with minimal coding providing coverage of functions ranging from incorporating ajax apps and overcoming the limits of html and css to building plug ins and using animation original speakout pre intermediate routledge draws on newly released

**hippo notizbuch don t worry be hippo pdf 2023** - Sep 10 2022

web jun 20 2023 notizbuch don t worry be hippo pdf most likely you have knowledge that people have see numerous period for their favorite books next this hippo notizbuch don t worry be hippo pdf but stop happening in harmful downloads rather than enjoying a good ebook in the same way

**what is another word for don t worry be happy wordhippo** - Oct 23 2023

web here s a list of similar words from our thesaurus that you can use instead interjection used to persuade someone not to be concerned or anxious about something don t worry do not worry don t be worried don t fret don t be concerned don t sweat it

**hippo notizbuch don t worry be hippo copy uniport edu** - May 06 2022

web hippo notizbuch don t worry be hippo 1 10 downloaded from uniport edu ng on may 15 2023 by guest hippo notizbuch don t worry be hippo thank you utterly much for downloading hippo notizbuch don t worry be hippo maybe you have knowledge that people have see numerous time for their favorite books afterward this hippo notizbuch

hippo notizbuch don t worry be hippo uniport edu - Apr 05 2022

web useful you have remained in right site to start getting this info acquire the hippo notizbuch don t worry be hippo belong to that we present here and check out the link you could buy guide hippo notizbuch don t worry be hippo or acquire it as

soon as feasible you could speedily download this hippo notizbuch don t worry be hippo after

**hippo notizbuch don t worry be hippo pdf full pdf** - Jan 14 2023

web any way in the course of them is this hippo notizbuch don t worry be hippo pdf that can be your partner title hippo notizbuch don t worry be hippo pdf full pdf

**hippo notizbuch don t worry be hippo pdf download only** - Feb 15 2023

web this hippo notizbuch don t worry be hippo pdf as one of the most functional sellers here will unconditionally be along with the best options to review title hippo notizbuch don t worry be hippo pdf download only

hippo notizbuch don t worry be hippo pdf pdf - Dec 13 2022

web jun 15 2023 hippo notizbuch don t worry be hippo pdf right here we have countless books hippo notizbuch don t worry be hippo pdf and collections to check out we additionally find the money for variant types and moreover type of the books to browse the conventional book fiction history novel scientific research as without

topicwise question bank for civil engineering edurev - Apr 21 2022

web nov 1 2023 if you have any question paper kindly share with us you can send message on our facebook page masenz world or you can send email to

**trump claims new york fraud trial is election interference as it** - Aug 14 2021

**a question of ethics engineering solution falls short of ethical** - Feb 17 2022

web jun 22 2023 we have provided the civil engineering interview questions with sample answers here to help the aspirants to crack the interview follow these questions and

**140 best civil engineering quiz questions and answers 2024** - Nov 16 2021

web feb 20 2022 civil engineering question bank of all subject of 4th semester in 2021 purbanchal university civil guys 3 52k subscribers subscribe 509 views 1 year ago

**question bank of civil engineering pu masenz world** - Mar 21 2022

web nov 8 2023 even the most elegant engineering solution falls short of ethical expectations if it fails to account for impacts on the welfare of all affected communities tara hoke is

13 civil engineering interview questions and sample - Dec 30 2022

web oct 29 2022 question bank civil engineering mcqs series for quick revision published by suman das on october 29 2022 read learn and revise the civil

civil engineering question bank of all subject of 4th youtube - Oct 16 2021

web nov 1 2023 watch newsmx2 live for the latest news and analysis on today s top stories from your favorite newsmx

personalities newsmax2 weekday

*topicwise question bank for civil engineering edurev* - Mar 01 2023

web try a free civil engineering mock test civil engineering competitive exam question bank for public service commission and other government job exams important

**anna university library** - Apr 02 2023

web the topicwise question bank for civil engineering course for civil engineering ce on edurev is a comprehensive course that provides a wealth of practice questions

**civil engineering objective questions and answers** - Oct 08 2023

web highlights multiple choice objective questions answers in civil engineering with discussion option in each question selective and conceptual civil engineering

*question bank civil engineering mcqs for quick revision series* - Nov 28 2022

web jan 2 2023 q what are functions of ballast que write note on detailed specifications of ballast q bank on bridge for civil engineer ldc exam mcq new pattern q

**civil engineering questions and answers indiabix** - Jul 05 2023

web this set of basic civil engineering question bank focuses on cost effective construction techniques 1 low cost housing in kerala was first developed by a lawrence becker

civil engineering question bank mcq important - May 03 2023

web question bank b e civil engineering regulation 2015 semester subject year 6 ai 7692 dairy engineering apr may 2019 regulation 2012 semester subject year 2

**pdf gate question bank for civil engineering by the gate** - Aug 26 2022

web apr 3 2018 downloads civil engineering solved question bank btech first year engineering notes ebook pdf 1 pdf 9 6 mb views 156 civil engineering solved

most effective civil engineering interview questions with - Jan 19 2022

web college of engineering and technology mamallapuram department of civil engineering question bank ce8351 surveying unit 1 part a

basic civil engineering question bank sanfoundry - Jun 04 2023

web 2 days ago the civil engineering question bank is based on the current exam pattern and the latest question trend the civil engineering combo package helps you prepare

**college of engineering and technology** - Dec 18 2021

web jul 12 2023 civil engineering trivia questions civil engineering is a fascinating field that encompasses the design

construction and maintenance of infrastructure from  
[civil engineering question bank studyvidya](#) - Jan 31 2023

web sep 1 2023 most civil engineering interview questions can get fairly technical accurate responses to technical questions need a thorough understanding of theoretical concepts

**ese ies ce practice set papers model sample papers** - Sep 26 2022

web download gate question bank for civil engineering by the gate academy an entrance test like gate demands extensive knowledge and revision of the concepts

**newsmax 2 live wednesday nov 1 2023 facebook** - Sep 14 2021

web 2 days ago donald trump who faces election meddling charges in georgia called letitia james civil trial election interference while invoking the bogeyman of urban crime i

**elements of civil engineering solved question bank for first year** - Jul 25 2022

web apr 5 2022 the question bank of 3rd semester civil engg is published by foundation publishing house e pdf includes all subjects theory and objectives eg building

**1000 civil engineering question bank pdf 1 meritnotes** - Sep 07 2023

web 1000 civil engineering question bank pdf 1 home engineering questions exercise 3 question 1 which of the following has the lowest strength a granite b

**be3255 basic civil and mechanical engineering question bank** - May 23 2022

web soil mechanics topicwise question bank for civil engineering civil engineering ce notes videos tests is part of civil engineering ce 2023 for topicwise question

**question bank for ldc examination civil engineering** - Oct 28 2022

web ies ese ce question bank for civil engineering contains all the question papers such as ese ce 2020 question paper ies ce 2019 question paper ese ce 2018 question

**download 3rd semester new question bank of civil engineering** - Jun 23 2022

web nov 17 2022 we are providing the be3255 basic civil and mechanical engineering question bank collections pdf below for your examination success use our materials

**30 civil engineering quiz questions and answers** - Aug 06 2023

web aug 20 2023 1 what is civil engineering a the study of electricity and electrical systems b the study of living organisms and their interactions c the study of

[business economics and finance with matlab gis and simulation](#) - Dec 16 2021

web it presents tactics for using mathematical and simulation models to solve complex tasks of forecasting income valuing

businesses predicting retail sales and evaluating markets

business economics and finance with matlab gis and - Jun 02 2023

web business economics and finance with matlab gis and simulation models anderson patrick l amazon sg books

**business economics and finance with matlab gis and** - Jul 03 2023

web jul 27 2004 business economics and finance with matlab gis and simulation models patrick l anderson crc press jul 27 2004 mathematics 500 pages this

**business economics and finance with matlab gis and** - Dec 28 2022

web author patrick l anderson summary this book describes advancements in mathematical methods for finance business valuation retail sales prediction tax policy location

business economics and finance with matlab gis and - Sep 24 2022

web this book describes techniques often using matlab and simulink models for finance business valuation retail sales prediction tax policy public policy and other challenges

**business economics and finance with matlab gis and** - Feb 27 2023

web jan 1 2004 this book is the first to fully explore the capabilities of matlab in the field of business economics and explain how the benefits of sophisticated mathematical

**business economics and finance with matlab gis and** - Nov 26 2022

web the second chapter contrasts business economics with academic economics and discusses why simulation models in general and matlab and simulink in particular

**business economics and finance with matlab gis and** - Feb 15 2022

web housekeeping leisure business economics and finance with matlab gis and simulation models pdf possible use especially when specification is complicated

*business economics and finance with matlab gis* - Jan 17 2022

web feb 27 2023 business economics and finance with matlab gis and simulation models provides a unique overview of sophisticated business and financial

business economics and finance with matlab gis and - May 21 2022

web apr 16 2007 kindle ebooks science math buy 75 95 rent 30 01 today through selected date rental price is determined by end date sold by amazon com services

*business economics and finance with matlab gis and* - Aug 04 2023

web jul 27 2004 this book takes recent theoretical advances in finance and economics and shows how they can be implemented in the real world it presents tactics for using

**business economics and finance with matlab gis and** - Jul 23 2022

web may 31 2023 vdom dhtml tml business economics and finance with matlab gis and simulation models anderson patrick l free download borrow and

*business economics and finance with matlab gis and* - Jun 21 2022

web business economics and finance with matlab gis and simulation models anderson patrick l on amazon com au free shipping on eligible orders business

business economics and finance with matlab gis and - Apr 19 2022

web find the latest published papers in business economics and finance with matlab gis and simulation models top authors related hot topics the most cited papers and

business economics and finance with matlab gis and - Oct 06 2023

web written for economists and finance and valuation professionals this text discusses the practical application of finance and economics theory using matlab and simulink

*business economics finance using matlab gis and* - Oct 26 2022

web jun 15 2005 the book takes recent theoretical advances in finance and economics and shows how they can be implemented in the real world it presents tactics for using

**business economics and finance with matlab gis and** - Mar 19 2022

web this book takes recent theoretical advances in finance and economics and shows how they can be implemented in the real world it presents tactics for using mathematical and

**business economics and finance with matlab gis and** - Aug 24 2022

web apr 15 2004 business economics and finance with matlab gis and simulation models 1st edition by patrick l anderson author 1 7 6 ratings see all formats and

*business economics and finance with matlab gis and* - May 01 2023

web this book takes recent theoretical advances in finance and economics and shows how they can be implemented in the real world it presents tactics for using mathematical and

**business economics and finance with matlab gis and** - Jan 29 2023

web jul 27 2004 this book takes recent theoretical advances in finance and economics and shows how they can be implemented in the real world it presents tactics for using

business economics and finance with matlab gis and - Mar 31 2023

web business economics and finance with matlab gis and simulation models provides a unique overview of sophisticated business and financial applications it describes

*business economics and finance with matlab gis - Sep 05 2023*

web business economics and finance with matlab gis and simulation models provides a unique overview of sophisticated business and financial applications it describes