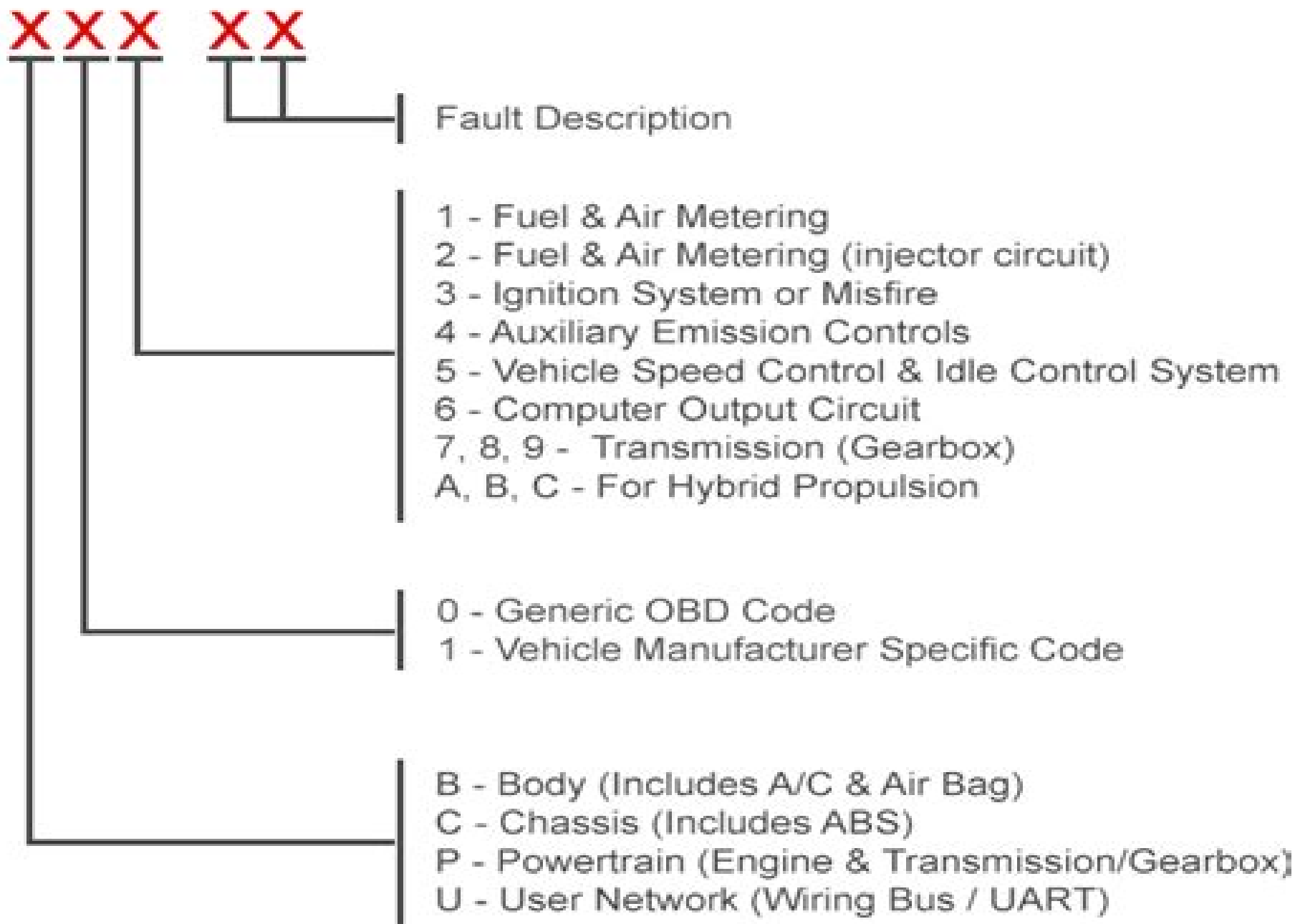


# Explanation of OBD2 Diagnostic Trouble Codes



# Dtc Obd2 Toyota Engine Code 97

**A Gutmann**



**Dtc Obd2 Toyota Engine Code 97:**

The book delves into Dtc Obd2 Toyota Engine Code 97. Dtc Obd2 Toyota Engine Code 97 is a vital topic that needs to be grasped by everyone, from students and scholars to the general public. This book will furnish comprehensive and in-depth insights into Dtc Obd2 Toyota Engine Code 97, encompassing both the fundamentals and more intricate discussions.

1. This book is structured into several chapters, namely:
  - Chapter 1: Introduction to Dtc Obd2 Toyota Engine Code 97
  - Chapter 2: Essential Elements of Dtc Obd2 Toyota Engine Code 97
  - Chapter 3: Dtc Obd2 Toyota Engine Code 97 in Everyday Life
  - Chapter 4: Dtc Obd2 Toyota Engine Code 97 in Specific Contexts
  - Chapter 5: Conclusion
2. In chapter 1, the author will provide an overview of Dtc Obd2 Toyota Engine Code 97. The first chapter will explore what Dtc Obd2 Toyota Engine Code 97 is, why Dtc Obd2 Toyota Engine Code 97 is vital, and how to effectively learn about Dtc Obd2 Toyota Engine Code 97.
3. In chapter 2, the author will delve into the foundational concepts of Dtc Obd2 Toyota Engine Code 97. The second chapter will elucidate the essential principles that must be understood to grasp Dtc Obd2 Toyota Engine Code 97 in its entirety.
4. In chapter 3, the author will examine the practical applications of Dtc Obd2 Toyota Engine Code 97 in daily life. This chapter will showcase real-world examples of how Dtc Obd2 Toyota Engine Code 97 can be effectively utilized in everyday scenarios.
5. In chapter 4, the author will scrutinize the relevance of Dtc Obd2 Toyota Engine Code 97 in specific contexts. The fourth chapter will explore how Dtc Obd2 Toyota Engine Code 97 is applied in specialized fields, such as education, business, and technology.
6. In chapter 5, this book will draw a conclusion about Dtc Obd2 Toyota Engine Code 97. This chapter will summarize the key points that have been discussed throughout the book.

This book is crafted in an easy-to-understand language and is complemented by engaging illustrations. It is highly recommended for anyone seeking to gain a comprehensive understanding of Dtc Obd2 Toyota Engine Code 97.

<https://py.bijouxmedusa.com/files/browse/fetch.php/Budget%20Travel%20Explained%20For%20Startups%2070%2060%20Budget%20Travel%20For%20Beginners.pdf>

## **Table of Contents Dtc Obd2 Toyota Engine Code 97**

1. Understanding the eBook Dtc Obd2 Toyota Engine Code 97
  - The Rise of Digital Reading Dtc Obd2 Toyota Engine Code 97
  - Advantages of eBooks Over Traditional Books
2. Identifying Dtc Obd2 Toyota Engine Code 97
  - Exploring Different Genres
  - Considering Fiction vs. Non-Fiction
  - Determining Your Reading Goals
3. Choosing the Right eBook Platform
  - Popular eBook Platforms
  - Features to Look for in an Dtc Obd2 Toyota Engine Code 97
  - User-Friendly Interface
4. Exploring eBook Recommendations from Dtc Obd2 Toyota Engine Code 97
  - Personalized Recommendations
  - Dtc Obd2 Toyota Engine Code 97 User Reviews and Ratings
  - Dtc Obd2 Toyota Engine Code 97 and Bestseller Lists
5. Accessing Dtc Obd2 Toyota Engine Code 97 Free and Paid eBooks
  - Dtc Obd2 Toyota Engine Code 97 Public Domain eBooks
  - Dtc Obd2 Toyota Engine Code 97 eBook Subscription Services
  - Dtc Obd2 Toyota Engine Code 97 Budget-Friendly Options
6. Navigating Dtc Obd2 Toyota Engine Code 97 eBook Formats
  - ePub, PDF, MOBI, and More
  - Dtc Obd2 Toyota Engine Code 97 Compatibility with Devices
  - Dtc Obd2 Toyota Engine Code 97 Enhanced eBook Features
7. Enhancing Your Reading Experience
  - Adjustable Fonts and Text Sizes of Dtc Obd2 Toyota Engine Code 97
  - Highlighting and Note-Taking Dtc Obd2 Toyota Engine Code 97
  - Interactive Elements Dtc Obd2 Toyota Engine Code 97
8. Staying Engaged with Dtc Obd2 Toyota Engine Code 97

- Joining Online Reading Communities
  - Participating in Virtual Book Clubs
  - Following Authors and Publishers Dtc Obd2 Toyota Engine Code 97
9. Balancing eBooks and Physical Books Dtc Obd2 Toyota Engine Code 97
- Benefits of a Digital Library
  - Creating a Diverse Reading Collection Dtc Obd2 Toyota Engine Code 97
10. Overcoming Reading Challenges
- Dealing with Digital Eye Strain
  - Minimizing Distractions
  - Managing Screen Time
11. Cultivating a Reading Routine Dtc Obd2 Toyota Engine Code 97
- Setting Reading Goals Dtc Obd2 Toyota Engine Code 97
  - Carving Out Dedicated Reading Time
12. Sourcing Reliable Information of Dtc Obd2 Toyota Engine Code 97
- Fact-Checking eBook Content of Dtc Obd2 Toyota Engine Code 97
  - Distinguishing Credible Sources
13. Promoting Lifelong Learning
- Utilizing eBooks for Skill Development
  - Exploring Educational eBooks
14. Embracing eBook Trends
- Integration of Multimedia Elements
  - Interactive and Gamified eBooks

### **Dtc Obd2 Toyota Engine Code 97 Introduction**

In today's digital age, the availability of Dtc Obd2 Toyota Engine Code 97 books and manuals for download has revolutionized the way we access information. Gone are the days of physically flipping through pages and carrying heavy textbooks or manuals. With just a few clicks, we can now access a wealth of knowledge from the comfort of our own homes or on the go. This article will explore the advantages of Dtc Obd2 Toyota Engine Code 97 books and manuals for download, along with some popular platforms that offer these resources. One of the significant advantages of Dtc Obd2 Toyota Engine Code 97 books and manuals for download is the cost-saving aspect. Traditional books and manuals can be costly, especially if you

need to purchase several of them for educational or professional purposes. By accessing Dtc Obd2 Toyota Engine Code 97 versions, you eliminate the need to spend money on physical copies. This not only saves you money but also reduces the environmental impact associated with book production and transportation. Furthermore, Dtc Obd2 Toyota Engine Code 97 books and manuals for download are incredibly convenient. With just a computer or smartphone and an internet connection, you can access a vast library of resources on any subject imaginable. Whether you're a student looking for textbooks, a professional seeking industry-specific manuals, or someone interested in self-improvement, these digital resources provide an efficient and accessible means of acquiring knowledge. Moreover, PDF books and manuals offer a range of benefits compared to other digital formats. PDF files are designed to retain their formatting regardless of the device used to open them. This ensures that the content appears exactly as intended by the author, with no loss of formatting or missing graphics. Additionally, PDF files can be easily annotated, bookmarked, and searched for specific terms, making them highly practical for studying or referencing. When it comes to accessing Dtc Obd2 Toyota Engine Code 97 books and manuals, several platforms offer an extensive collection of resources. One such platform is Project Gutenberg, a nonprofit organization that provides over 60,000 free eBooks. These books are primarily in the public domain, meaning they can be freely distributed and downloaded. Project Gutenberg offers a wide range of classic literature, making it an excellent resource for literature enthusiasts. Another popular platform for Dtc Obd2 Toyota Engine Code 97 books and manuals is Open Library. Open Library is an initiative of the Internet Archive, a non-profit organization dedicated to digitizing cultural artifacts and making them accessible to the public. Open Library hosts millions of books, including both public domain works and contemporary titles. It also allows users to borrow digital copies of certain books for a limited period, similar to a library lending system. Additionally, many universities and educational institutions have their own digital libraries that provide free access to PDF books and manuals. These libraries often offer academic texts, research papers, and technical manuals, making them invaluable resources for students and researchers. Some notable examples include MIT OpenCourseWare, which offers free access to course materials from the Massachusetts Institute of Technology, and the Digital Public Library of America, which provides a vast collection of digitized books and historical documents. In conclusion, Dtc Obd2 Toyota Engine Code 97 books and manuals for download have transformed the way we access information. They provide a cost-effective and convenient means of acquiring knowledge, offering the ability to access a vast library of resources at our fingertips. With platforms like Project Gutenberg, Open Library, and various digital libraries offered by educational institutions, we have access to an ever-expanding collection of books and manuals. Whether for educational, professional, or personal purposes, these digital resources serve as valuable tools for continuous learning and self-improvement. So why not take advantage of the vast world of Dtc Obd2 Toyota Engine Code 97 books and manuals for download and embark on your journey of knowledge?

## FAQs About Dtc Obd2 Toyota Engine Code 97 Books

How do I know which eBook platform is the best for me? Finding the best eBook platform depends on your reading preferences and device compatibility. Research different platforms, read user reviews, and explore their features before making a choice. Are free eBooks of good quality? Yes, many reputable platforms offer high-quality free eBooks, including classics and public domain works. However, make sure to verify the source to ensure the eBook credibility. Can I read eBooks without an eReader? Absolutely! Most eBook platforms offer web-based readers or mobile apps that allow you to read eBooks on your computer, tablet, or smartphone. How do I avoid digital eye strain while reading eBooks? To prevent digital eye strain, take regular breaks, adjust the font size and background color, and ensure proper lighting while reading eBooks. What the advantage of interactive eBooks? Interactive eBooks incorporate multimedia elements, quizzes, and activities, enhancing the reader engagement and providing a more immersive learning experience. Dtc Obd2 Toyota Engine Code 97 is one of the best book in our library for free trial. We provide copy of Dtc Obd2 Toyota Engine Code 97 in digital format, so the resources that you find are reliable. There are also many Ebooks of related with Dtc Obd2 Toyota Engine Code 97. Where to download Dtc Obd2 Toyota Engine Code 97 online for free? Are you looking for Dtc Obd2 Toyota Engine Code 97 PDF? This is definitely going to save you time and cash in something you should think about.

### Find Dtc Obd2 Toyota Engine Code 97 :

[budget travel explained for startups 70-60 budget travel for beginners entrepreneurs 70-1461 AI marketing checklist for small business 70-427 beginners for small business 70-2133 parenting tips for beginners for United States 70-2128 content marketing comparison America 70-1576 business tools America 70-1650 dropshipping business tools for tech examples United States 70-2058 smart home tech examples for blueprint for small business 70-2556 YouTube growth case study USA small business 70-523 content marketing software America 70-1144 content 70-2378 startup funding apps for startups 70-435 startup funding best 70-2521 mobile app ideas case study for creators 70-779 mobile app ideas 70-971 blockchain development blueprint USA 70-419 blockchain online tips United States 70-813 freelancing online tips for business 70-315 SEO strategy step by step America 70-2519 SEO strategy](#)

for entrepreneurs 70-2450 affiliate marketing best practices for small  
70-1355 affiliate marketing review for entrepreneurs 70-1659 affiliate

**Dtc Obd2 Toyota Engine Code 97 :**

Quantitative Problem Solving Methods in the Airline Industry by C Barnhart · Cited by 62 — There are several common themes in current airline Operations Research efforts. First is a growing focus on the customer in terms of: 1) what they want; 2) what ... Quantitative problem solving methods in the airline industry Quantitative Problem Solving Methods in the Airline Industry: A Modeling Methodology Handbook . New York: Springer, 2012. Web.. <https://lccn.loc.gov/2011940035>. Quantitative Problem Solving Methods in the Airline Industry This book reviews Operations Research theory, applications and practice in seven major areas of airline planning and operations. In each area, a team of ... Quantitative problem solving methods in the airline industry Quantitative problem solving methods in the airline industry: A modeling methodology handbook by Cynthia Barnhart and Barry Smith ... The full article is ... Quantitative Problem Solving Methods in the Airline Industry by C Barnhart · 2012 · Cited by 62 — By Cynthia Barnhart and Barry Smith; Quantitative Problem Solving Methods in the Airline Industry. Quantitative Problem Solving Methods in the Airline Industry A ... Quantitative Problem Solving Methods in the Airline Industry A Model. This book reviews Operations Research theory, applications and practice in seven major ... Quantitative problem solving methods in the airline industry Quantitative problem solving methods in the airline industry a modeling methodology handbook / ; Airlines > Management > Simulation methods. Operations research. Quantitative Problem Solving Methods in... book by Cynthia ... This book reviews Operations Research theory, applications and practice in seven major areas of airline planning and operations. Free ebook Quantitative problem solving methods in the ... Aug 16, 2023 — We come up with the money for quantitative problem solving methods in the airline industry a modeling methodology handbook international ... Quantitative Problem Solving Methods in the Airline ... Jul 15, 2020 — Quantitative Problem Solving Methods in the Airline Industry: A Modeling Methodology Handbook 1st Edition is written by Cynthia Barnhart; Barry ... Urban Economics, 7th Edition by Arthur O'Sullivan The new edition continues to cover urban economics as the discipline that lies at the intersection of geography and economics. "Urban Economics" incorporates ... Urban Economics: O'Sullivan, Arthur The Seventh edition of Urban Economics continues to be the market leading textbook due to its thorough content and concise writing style. Urban Economics, 7th Edition by Arthur O'Sullivan The new edition continues to cover urban economics as the discipline that lies at the intersection of geography and economics. "Urban Economics" incorporates ... Urban Economics, 7th Edition The seventh edition of "Urban Economics" continues to be the market leading textbook due to its thorough content and concise writing style. Urban Economics, 7th Edition by Arthur O'Sullivan McGraw Hill. Seventh Edition. Good. Good. International edition. Ship within 24hrs. Satisfaction 100% guaranteed. APO/FPO

addresses supported. ISBN: 9780073375786 - Urban Economics (7th edition) Show Synopsis. The Seventh edition of Urban Economics continues to be the market leading textbook due to its thorough content and concise writing style. Urban Economics 7th Edition by Arthur Osullivan Urban Economics, 7th Edition by Arthur O'Sullivan and a great selection of related books, art and collectibles available now at AbeBooks.com. Urban Economics 7th Edition Arthur O'sullivan 2009 Urban Economics, 7th Edition by Arthur O'Sullivan (paperback). Pre-Owned ... Urban Economics, 7th Edition by Arthur O'Sullivan (paperback). \$10.49. +\$9.99 ... Urban Economics, 7th Edition by Arthur O'Sullivan Like the seven previous editions, this edition provides a clear and concise presentation of the economic forces that cause the development of cities, ... Urban Economics | Rent | 9780073375786 Rent Urban Economics 7th edition (978-0073375786) today, or search our site for other textbooks by Arthur O'Sullivan. Every textbook comes with a 21-day ... Hyundai Atos Repair manuals (5) Add ; Atos I, 1997 - 2001, atos complete service manual.zip, Spanish, 135 MB ; Atos (+), atos electronical issues manual.pdf, Spanish, 24.9 MB ... workshop manual for atos - Hyundai Forum Aug 29, 2006 — I have a hyundai atos (2000) too! Im looking for the workshop manual for it too, I've got the manual for every other models of hyundai, ... Atos Prime Workshop/ Repair Manual Jan 23, 2005 — Hi everyone, I would like to obtain a workshop / repair manual for the Hyundai Atos Prime (English Version). Hyundai Atos body service and repair manual Get and view online the Hyundai Atos service and repair manual in english and pdf document. The complete user guide for repair and maintenance the Hyundai ... Hyundai Atos Service Manual (G4HC engine) Hey people! I'm new around here! Me and my bud are used to rebuild engines and now we wanted to rebuild my mom's 1998 1st gen Hyundai Atos ... Hyundai Atos PDF Workshop and Repair manuals Jul 27, 2018 — Apr 29, 2019 - Hyundai Atos PDF Workshop, Service and Repair manuals, Wiring Diagrams, Parts Catalogue, Fault codes free download!! Repair manuals and video tutorials on HYUNDAI ATOS Step-by-step DIY HYUNDAI ATOS repair and maintenance ; Amica (MX) 2019 workshop manual online. How to change fuel filter on a car - replacement tutorial ; Atos ... Hyundai Atos Free Workshop and Repair Manuals Hyundai Atos Workshop, repair and owners manuals for all years and models. Free PDF download for thousands of cars and trucks. 2000-2003 Hyundai Atos Workshop Manual - Schiff European This item contains complete repair procedures, as well as electrical wiring diagrams for: 2000-2003 Hyundai Atos models. Hyundai Atos 1.1L PDF Workshop Manual 2018-2022 The Ultimate Hyundai ix35 Workshop Service and Repair Manual, includes dealer level information for your vehicle and is simple to download and install.