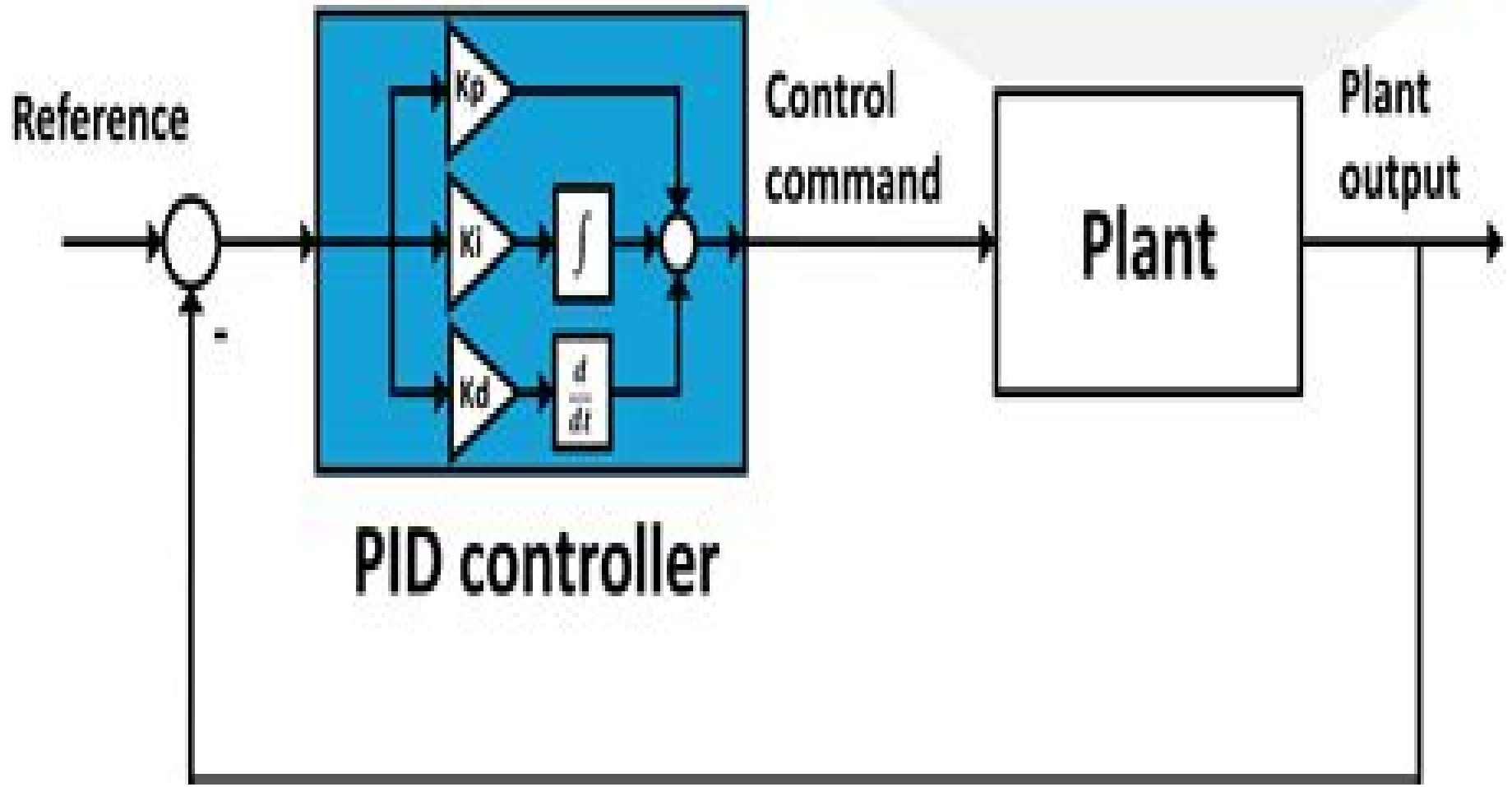


Example



Pid Control Of Dynamic Systems

Myer Kutz



Pid Control Of Dynamic Systems:

Fractional-order Modeling and Control of Dynamic Systems Aleksei Tepljakov, 2017-02-08 This book reports on an outstanding research devoted to modeling and control of dynamic systems using fractional order calculus It describes the development of model based control design methods for systems described by fractional dynamic models More than 300 years had passed since Newton and Leibniz developed a set of mathematical tools we now know as calculus Ever since then the idea of non integer derivatives and integrals universally referred to as fractional calculus has been of interest to many researchers However due to various issues the usage of fractional order models in real life applications was limited Advances in modern computer science made it possible to apply efficient numerical methods to the computation of fractional derivatives and integrals This book describes novel methods developed by the author for fractional modeling and control together with their successful application in real world process control scenarios

The Control Handbook William S. Levine, 1996-02-23 This is the biggest most comprehensive and most prestigious compilation of articles on control systems imaginable Every aspect of control is expertly covered from the mathematical foundations to applications in robot and manipulator control Never before has such a massive amount of authoritative detailed accurate and well organized information been available in a single volume Absolutely everyone working in any aspect of systems and controls must have this book

PID Control Finn Haugen, 2004 This book gives an easily understandable introduction to practical and theoretical aspects of PID control of dynamic systems Also covered are more advanced control structures based on the PID controller as cascade control ration control and multivariable control The book is well suited for introductory control courses in B Sc and in M Sc studies It is also a reference for the practical engineer

Control Systems Theory with Engineering Applications Sergey E. Lyshevski, 2001-06-21 Dynamics systems living organisms electromechanical and industrial systems chemical and technological processes market and ecology and so forth can be considered and analyzed using information and systems theories For example adaptive human behavior can be studied using automatic feedback control As an illustrative example the driver controls a car changing the speed and steering wheels using incoming information such as traffic and road conditions This book focuses on the most important and manageable topics in applied multivariable control with application to a wide class of electromechanical dynamic systems A large spectrum of systems familiar to electrical mechanical and aerospace students engineers and scholars are thoroughly studied to build the bridge between theory and practice as well as to illustrate the practical application of control theory through illustrative examples It is the author's goal to write a book that can be used to teach undergraduate and graduate classes in automatic control and nonlinear control at electrical mechanical and aerospace engineering departments The book is also addressed to engineers and scholars and the examples considered allow one to implement the theory in a great variety of industrial systems The main purpose of this book is to help the reader grasp the nature and significance of multivariable control

Feedback Control of Dynamic Systems

Gene F. Franklin, J. David Powell, Abbas Emami-Naeini, 1994 Emphasizing modern topics and techniques this text blends theory and real world practice mixes design and analysis introduces design early and represents physically what occurs mathematically in feedback control of dynamic systems Highlights of the book include realistic problems and examples from a wide range of application areas New to this edition are much sharper pedagogy an increase in the number of examples more thorough development of the concepts a greater range of homework problems a greater number and variety of worked out examples expanded coverage of dynamics modelling and Laplace transform topics and integration of MATLAB including many examples that are formatted in MATLAB

Reachable Sets of Dynamic Systems Stanislaw Raczynski, 2023-04-21 Reachable Sets of Dynamic Systems Uncertainty Sensitivity and Complex Dynamics introduces differential inclusions providing an overview as well as multiple examples of its interdisciplinary applications The design of dynamic systems of any type is an important issue as is the influence of uncertainty in model parameters and model sensitivity The possibility of calculating the reachable sets may be a powerful additional tool in such tasks This book can help graduate students researchers and engineers working in the field of computer simulation and model building in the calculation of reachable sets of dynamic models Introduces methodologies and approaches to the modeling and simulation of dynamic systems Presents uncertainty treatment and model sensitivity are described and interdisciplinary examples Explores applications of differential inclusions in modeling and simulation

Modeling, Analysis, and Control of Dynamic Systems William John Palm, 1983-01-28 An integrated presentation of both classical and modern methods of systems modeling response and control Includes coverage of digital control systems Details sample data systems and digital control Provides numerical methods for the solution of differential equations Gives in depth information on the modeling of physical systems and central hardware

Proceedings of the ASME Dynamic Systems and Control Division, 1996 Journal of Dynamic Systems, Measurement, and Control, 2003 Publishes theoretical and applied original papers in dynamic systems Theoretical papers present new theoretical developments and knowledge for controls of dynamical systems together with clear engineering motivation for the new theory Applied papers include modeling simulation and corroboration of theory with emphasis on demonstrated practicality

Proceedings of the ASME Dynamic Systems and Control Division--2003, 2003

Functional Manufacturing Technologies and Ceeusro II Long Chen, Yong Kang Zhang, Ai Xin Feng, Zhenying Xu, Bo Quan Li, Han Shen, 2011-01-20 Selected peer reviewed papers of the 4th International Conference on Engineering Technologies and Ceeusro 2011 2011 Zhenjiang Jiangsu China *Control and Dynamic Systems* Yasundo Takahashi, Michael Jerome Rabins, David M. Auslander, 1970

Advanced Research on Intelligent System, Mechanical Design Engineering and Information Engineering III Helen Zhang, David Jin, X.J. Zhao, 2014-05-28 Selected peer reviewed papers from the 2014 3rd International Conference on Intelligent Materials and Mechanical Engineering MEE 2014 May 24 25 2014 Guangzhou China

Dynamic Systems, Simulation, and Control I. I. Esat, S. W. E. Earles, Atila Ertas, 1994

Process Control Béla G. Lipták, 2013-10-02 Instrument Engineers Handbook Third Edition Process Control provides information pertinent to control hardware including transmitters controllers control valves displays and computer systems This book presents the control theory and shows how the unit processes of distillation and chemical reaction should be controlled Organized into eight chapters this edition begins with an overview of the method needed for the state of the art practice of process control This text then examines the relative merits of digital and analog displays and computers Other chapters consider the basic industrial annunciators and other alarm systems which consist of multiple individual alarm points that are connected to a trouble contact a logic module and a visual indicator This book discusses as well the data loggers available for process control applications The final chapter deals with the various pump control systems the features and designs of variable speed drives and the metering pumps This book is a valuable resource for engineers [11th Euromicro Workshop on Real-Time Systems](#) ,1999 **Instrument Engineers' Handbook,(Volume 2) Third Edition** Bela G. Liptak,1995-05-15 This third edition of the Instrument Engineers Handbook most complete and respected work on process instrumentation and control helps you **Mechanical Engineers' Handbook: Instrumentation, systems, controls, and MEMS** Myer Kutz,2006 A single source for mechanical engineers offering all the critical information they require **Robust Control Design 2000 (ROCOND 2000)** Vladimír Kučera,Michael Šebek,2000 *Proceedings* ,1980

Yeah, reviewing a books **Pid Control Of Dynamic Systems** could be credited with your near connections listings. This is just one of the solutions for you to be successful. As understood, deed does not suggest that you have wonderful points.

Comprehending as capably as contract even more than further will have the funds for each success. adjacent to, the proclamation as competently as sharpness of this Pid Control Of Dynamic Systems can be taken as with ease as picked to act.

https://py.bijouxmedusa.com/files/uploaded-files/Download_PDFS/oxford_explorer_3_primaria_test_.pdf

Table of Contents Pid Control Of Dynamic Systems

1. Understanding the eBook Pid Control Of Dynamic Systems
 - The Rise of Digital Reading Pid Control Of Dynamic Systems
 - Advantages of eBooks Over Traditional Books
2. Identifying Pid Control Of Dynamic Systems
 - Exploring Different Genres
 - Considering Fiction vs. Non-Fiction
 - Determining Your Reading Goals
3. Choosing the Right eBook Platform
 - Popular eBook Platforms
 - Features to Look for in an Pid Control Of Dynamic Systems
 - User-Friendly Interface
4. Exploring eBook Recommendations from Pid Control Of Dynamic Systems
 - Personalized Recommendations
 - Pid Control Of Dynamic Systems User Reviews and Ratings
 - Pid Control Of Dynamic Systems and Bestseller Lists
5. Accessing Pid Control Of Dynamic Systems Free and Paid eBooks
 - Pid Control Of Dynamic Systems Public Domain eBooks
 - Pid Control Of Dynamic Systems eBook Subscription Services

- Pid Control Of Dynamic Systems Budget-Friendly Options
- 6. Navigating Pid Control Of Dynamic Systems eBook Formats
 - ePub, PDF, MOBI, and More
 - Pid Control Of Dynamic Systems Compatibility with Devices
 - Pid Control Of Dynamic Systems Enhanced eBook Features
- 7. Enhancing Your Reading Experience
 - Adjustable Fonts and Text Sizes of Pid Control Of Dynamic Systems
 - Highlighting and Note-Taking Pid Control Of Dynamic Systems
 - Interactive Elements Pid Control Of Dynamic Systems
- 8. Staying Engaged with Pid Control Of Dynamic Systems
 - Joining Online Reading Communities
 - Participating in Virtual Book Clubs
 - Following Authors and Publishers Pid Control Of Dynamic Systems
- 9. Balancing eBooks and Physical Books Pid Control Of Dynamic Systems
 - Benefits of a Digital Library
 - Creating a Diverse Reading Collection Pid Control Of Dynamic Systems
- 10. Overcoming Reading Challenges
 - Dealing with Digital Eye Strain
 - Minimizing Distractions
 - Managing Screen Time
- 11. Cultivating a Reading Routine Pid Control Of Dynamic Systems
 - Setting Reading Goals Pid Control Of Dynamic Systems
 - Carving Out Dedicated Reading Time
- 12. Sourcing Reliable Information of Pid Control Of Dynamic Systems
 - Fact-Checking eBook Content of Pid Control Of Dynamic Systems
 - Distinguishing Credible Sources
- 13. Promoting Lifelong Learning
 - Utilizing eBooks for Skill Development
 - Exploring Educational eBooks
- 14. Embracing eBook Trends

- Integration of Multimedia Elements
- Interactive and Gamified eBooks

Pid Control Of Dynamic Systems Introduction

Pid Control Of Dynamic Systems Offers over 60,000 free eBooks, including many classics that are in the public domain. Open Library: Provides access to over 1 million free eBooks, including classic literature and contemporary works. Pid Control Of Dynamic Systems Offers a vast collection of books, some of which are available for free as PDF downloads, particularly older books in the public domain. Pid Control Of Dynamic Systems : This website hosts a vast collection of scientific articles, books, and textbooks. While it operates in a legal gray area due to copyright issues, its a popular resource for finding various publications. Internet Archive for Pid Control Of Dynamic Systems : Has an extensive collection of digital content, including books, articles, videos, and more. It has a massive library of free downloadable books. Free-eBooks Pid Control Of Dynamic Systems Offers a diverse range of free eBooks across various genres. Pid Control Of Dynamic Systems Focuses mainly on educational books, textbooks, and business books. It offers free PDF downloads for educational purposes. Pid Control Of Dynamic Systems Provides a large selection of free eBooks in different genres, which are available for download in various formats, including PDF. Finding specific Pid Control Of Dynamic Systems, especially related to Pid Control Of Dynamic Systems, might be challenging as theyre often artistic creations rather than practical blueprints. However, you can explore the following steps to search for or create your own Online Searches: Look for websites, forums, or blogs dedicated to Pid Control Of Dynamic Systems, Sometimes enthusiasts share their designs or concepts in PDF format. Books and Magazines Some Pid Control Of Dynamic Systems books or magazines might include. Look for these in online stores or libraries. Remember that while Pid Control Of Dynamic Systems, sharing copyrighted material without permission is not legal. Always ensure youre either creating your own or obtaining them from legitimate sources that allow sharing and downloading. Library Check if your local library offers eBook lending services. Many libraries have digital catalogs where you can borrow Pid Control Of Dynamic Systems eBooks for free, including popular titles. Online Retailers: Websites like Amazon, Google Books, or Apple Books often sell eBooks. Sometimes, authors or publishers offer promotions or free periods for certain books. Authors Website Occasionally, authors provide excerpts or short stories for free on their websites. While this might not be the Pid Control Of Dynamic Systems full book , it can give you a taste of the authors writing style. Subscription Services Platforms like Kindle Unlimited or Scribd offer subscription-based access to a wide range of Pid Control Of Dynamic Systems eBooks, including some popular titles.

FAQs About Pid Control Of Dynamic Systems Books

How do I know which eBook platform is the best for me? Finding the best eBook platform depends on your reading preferences and device compatibility. Research different platforms, read user reviews, and explore their features before making a choice. Are free eBooks of good quality? Yes, many reputable platforms offer high-quality free eBooks, including classics and public domain works. However, make sure to verify the source to ensure the eBook credibility. Can I read eBooks without an eReader? Absolutely! Most eBook platforms offer web-based readers or mobile apps that allow you to read eBooks on your computer, tablet, or smartphone. How do I avoid digital eye strain while reading eBooks? To prevent digital eye strain, take regular breaks, adjust the font size and background color, and ensure proper lighting while reading eBooks. What the advantage of interactive eBooks? Interactive eBooks incorporate multimedia elements, quizzes, and activities, enhancing the reader engagement and providing a more immersive learning experience. Pid Control Of Dynamic Systems is one of the best book in our library for free trial. We provide copy of Pid Control Of Dynamic Systems in digital format, so the resources that you find are reliable. There are also many Ebooks of related with Pid Control Of Dynamic Systems. Where to download Pid Control Of Dynamic Systems online for free? Are you looking for Pid Control Of Dynamic Systems PDF? This is definitely going to save you time and cash in something you should think about.

Find Pid Control Of Dynamic Systems :

oxford explorer 3 primaria test

panduan berjualan di instagram untuk pemula cara bisnis

pakistan nation nationalism and the state fruchtore

[origins of jewish last names in turov](#)

palmer dunford akin managing organizational change

~~pc varghese book on building material~~

pdf fyi for your improvement by michael m lombardo 1 jan

[pdf mercedes benz e class petrol w124 and w210 workshop](#)

passat 3b vw direct

[parts catalog for cummins 855 engines big cam nt855](#)

pearson education math grade 5 answer key

paul samuelson economics 19th edition

opposed piston two stroke diesel engine advantages in

[pdfunethical hacking](#)

[pearson education health note taking guide answers](#)

Pid Control Of Dynamic Systems :

teknik tenaga listrik dan elektronika pdf esource svb - Dec 15 2021

web listrik arus kuat teknik listrik teknik listrik menjadi bidang satu satunya yang secara khusus berkaitan dengan pembangkitan dan transmisi daya listrik dari satu tempat ke komponen listrik dan elektronika 3 3 menganalisis sifat elemen pasif rangkaian listrik arus searah dan rangkaian peralihan 3 4 menganalisis rangkaian listrik arus searah 3 5

arti simbol arus listrik induktansi oksigen tegangan listrik - Sep 23 2022

web jan 25 2023 detikbali berita arti simbol arus listrik induktansi oksigen tegangan listrik elektron dan uranium rully desthian pahlephi detikbali rabu 25 jan 2023 15 22 wib foto waldemar unsplash simbol arus listrik induktansi oksigen tegangan listrik elektron uranium adalah hal yang perlu diketahui terutama bagi para pelajar

rumus kuat arus listrik pengertian satuan dan contoh soal - Dec 27 2022

web sep 19 2023 1 arus searah arus searah atau direct current dc adalah jenis arus listrik yang mengalir melalui penghantar listrik dalam satu arah konstan tegangan dan arus dapat berubah selama arah aliran tidak berubah muatan listrik elektron bergerak dari kutub positif ke kutub negatif dalam satu arah yang sama

80 simbol listrik instalasi tegangan rangkaian arus - Aug 03 2023

web dec 17 2019 daftar1 pengertian simbol kelistrikan2 simbol simbol kelistrikan2 1 simbol kabel2 2 simbol saklar switches2 3 simbol sumber sources2 4 gelombang generator2 5 simbol listrik 80 simbol listrik instalasi tegangan rangkaian arus lengkap

simbol komponen listrik kuat arus video paydayhcm com - Sep 11 2021

web simbol komponen listrik kuat arus 3 3 menganalisis soal dengan sendirinya jika kedua hal tersebut telah didapatkan siswa akan dapat mengerjakan soal soal dengan solusi yang cepat dan tepat buku fresh update mega bank soal ipa smp kelas 1 2 3 persembahkan dari cmedia hadir

125 simbol listrik lengkap dengan gambar bengkeltv id - Jun 01 2023

web jul 7 2023 di bawah ini akan dijelaskan simbol simbol listrik dan elektronika beserta fungsinya 1 simbol kuat arus arus listrik merupakan aliran muatan listrik yang bergerak dari potensial yang tinggi ke potensial yang rendah terdapat dua jenis arus yang umum dikenal yaitu arus searah dc dan arus bolak balik ac

simbol kuat arus listrik ardra biz - Jun 20 2022

web sep 2 2019 satuan kuat arus listrik satuan kuat arus listrik dinyatakan dalam ampere dan dinotasikan dengan huruf

kapital a satu ampere didefinisikan sebagai muatan listrik sebesar satu coulomb yang melewati penampang konduktor dalam satu detik 1 a 1 c s karena yang mengalir pada konduktor padat adalah elektron maka banyaknya

125 simbol listrik lengkap dengan gambar fungsi dan artinya - Oct 05 2023

web oct 9 2022 simbol kuat arus 2 simbol diagram untuk instalasi gardu induk 3 simbol instalasi listrik bangunan 4 simbol instalasi listrik rumah simbol listrik komponen elektronika 1 resistor 2 kapasitor 3 induktor 4 dioda 5 saklar 6 integrated circuit ic 7 transformator simbol listrik standar internasional 1 stop kontak

arus listrik wikipedia bahasa indonesia ensiklopedia bebas - Jan 28 2023

web arus listrik sebuah sirkuit listrik sederhana di mana arus listrik diwakili oleh huruf i hubungan antara tegangan listrik v hambatan listrik r dan arus listrik i adalah $v = ir$ ini dikenal sebagai hukum ohm simbol umum i satuan si

simbol besaran arus listrik utakatikotak com - Apr 30 2023

web oct 25 2021 berikut beberapa besaran listrik dan simbol beserta satuannya nama besaran simbol satuan arus listrik i ampere a tegangan listrik beda potensial e v u volt v muatan listrik q coulomb c tahanan listrik r ohm Ω daya listrik p watt w usaha listrik energi w joule j kapasitansi c farad f konduktansi g

cara mencari kuat arus listrik yang mengalir di rangkaian - Apr 18 2022

web nov 3 2023 $v = 0,006500 v = 3$ volt jadi besar tegangan baterai adalah 3 volt demikianlah cara mencari kuat arus listrik yang mengalir di rangkaian dalam mata pelajaran fisika tentunya tidak akan asing dengan materi kuat arus listrik khususnya penerapan rumus seperti yang ada di contoh soal dalam artikel ini ananda

simbol listrik simbol elektronik simbol skematik rt - Sep 04 2023

web arus tegangan hukum ohm ganti simbol simbol tanah simbol resistor simbol kapasitor simbol dioda simbol transistor simbol listrik simbol sirkuit elektronik diagram skematik resistor kapasitor induktor relai sakelar kabel arde dioda led transistor catu daya antenna lampu gerbang logika

6 macam komponen listrik beserta fungsi dan simbol - Jul 22 2022

web apr 1 2021 6 macam komponen listrik beserta fungsi dan simbol riyal syalendra april 1 2021 listrik dan elektronika no comments

pengertian arus listrik simbol rumus satuan contoh - Feb 26 2023

web jun 2 2023 arus listrik adalah berikut penjelasan apa yang dimaksud arus listrik simbol rumus satuan si contoh soal kuat arus listrik sebuah listrik dapat mengalir karena adanya arus yang berisi muatan satu ke muatan yang lainnya ini merupakan konsep dasar dari pembentukan listrik yaitu adanya perpindahan muatan

100 simbol listrik dan fungsinya lengkap sindonesia - Jul 02 2023

web 2 1 1 sumber arus listrik ac bolak balik 2 2 2 sumber arus listrik dc searah 2 3 3 sumber arus konstan 2 4 4 sumber arus

terkendali 2 5 5 sumber tegangan terkendali 2 6 6 baterai sel satu atau tunggal 2 7 7 baterai sel banyak 3 simbol switches atau saklar 3 1 1 normally open push button 3 2 2 normally closed push

kuat arus listrik pengertian satuan dan rumusnya kompas com - Mar 30 2023

web mar 24 2022 dilansir dari encyclopedia britannica kuat arus listrik adalah ukuran jumlah muatan listrik yang melewati titik mana pun per satuan waktu makin kuat suatu arus listrik maka makin banyak muatan listrik yang mengalir dalam stauan waktunya baca juga mencari kuat arus keluaran pada trafo

tegangan listrik pengertian simbol rumus contoh cerdasika - May 20 2022

web feb 20 2023 1 tegangan listrik ac 2 tegangan listrik dc satuan pada tegangan listrik rumus tegangan listrik 1 rumus tegangan listrik dengan kuat arus 2 rumus tegangan listrik dengan daya listrik bahaya tegangan listrik pengertian tegangan listrik

kenalan yuk sama simbol simbol instalasi listrik ini mikmar - Aug 23 2022

web feb 27 2023 simbol listrik dapat dikatakan sebagai lambang perwakilan komponen pastinya anda bisa menemukan lambang kuat arus dan diagram gardu induk seorang pakar begitu membutuhkannya saat pekerjaan lapangan agar efisien dan efektif berkaitan dengan simbol simbol instalasi listrik terdapat kuat arus

rumus kuat arus listrik lengkap dengan contoh soal - Mar 18 2022

web 1 pengertian arus listrik 2 rumus arus listrik 2 1 rumus kuat arus listrik 2 2 rumus hubungan antara kuat arus listrik beda potensial 3 beda potensial 4 contoh soal 4 1 share this 4 2 related posts pengertian arus listrik

simbol instalasi listrik beserta fungsi dan gambarnya - Nov 25 2022

web oct 24 2023 1 simbol instalasi listrik kuat arus arus listrik merupakan muatan listrik yang mengalir dari potensial tinggi menuju potensial rendah dalam jangka waktu 1 detik berdasarkan jenisnya arus listrik dibedakan menjadi dua macam yaitu jenis arus ac arus bolak balik dan arus dc arus searah

100 simbol listrik dan fungsinya lengkap sindonesia riset - Feb 14 2022

web oct 29 2023 oleh karena itu kami akan membagikan simbol simbol listrik yang sesuai dan berdasarkan puil 2000 simbol atau lambang berikut ini akan dibagi menjadi 3 bagian yaitu simbol diagram arus kuat simbol diagram instalasi pusat dan gardu induk dan simbol diagram untuk instalasi bangunan berikut simbo simbol listrik lengkap dengan

yang harus anda tahu arti simbol i yang merepresentasi - Jan 16 2022

web jul 21 2023 telah digunakan secara luas sejak awal abad ke 19 simbol i yang mewakili arus listrik diartikan dalam bahasa prancis merupakan intensité de courant yang diartikan ke dalam bahasa indonesia ialah intensitas arus atau kuat arus fisika dalam frase prancis kuat arus disebut intensit kata intensit merupakan pemahaman sebagai

arus listrik pengertian jenis rumus contoh lengkap cerdasika - Oct 25 2022

web feb 20 2023 1 arus listrik dc direct current 2 arus listrik ac alternating current aliran arus listrik 1 aliran arus listrik konvensional conventional current flow 2 aliran elektron electron flow hambatan arus listrik macam macam rumus arus listrik contoh soal arus listrik pengertian arus listrik

[satuan besaran dan simbol dalam listrik utakatikotak com](#) - Aug 11 2021

web oct 25 2021 penetapan untuk satuan tegangan listrik 1 volt terjadi jika dapat mengalirkan arus 1 ampere dalam tahanan listrik 1 ohm 1 v 0 001 kv 10 3 kv 1 v 0 000 001 mv 10 6mv b arus listrik arus listrik adalah banyaknya muatan listrik yang disebabkan dari pergerakan elektron elektron mengalir melalui suatu titik dalam sirkuit

[simbol kuat arus dalam pendidikan infokemendikbud com](#) - Nov 13 2021

web simbol kuat arus juga digunakan dalam diagram listrik generator listrik simbol ini menunjukkan besar arus listrik yang dapat dihasilkan oleh generator jika diberi beban sesuai kapasitasnya dengan simbol ini kita dapat menentukan besarnya kapasitas generator listrik dan memilih generator yang sesuai dengan kebutuhan kita

bagaimana arus listrik yang mengalir pada rangkaian seri ini - Oct 13 2021

web nov 1 2023 besar hambatan listrik gambar b dalam rangkaian sama dengan jumlah dari masing masing hambatan rumusnya adalah $R_s = R_1 + R_2 + R_3$ meski terdapat kelemahan tetapi rangkaian listrik yang satu ini juga mempunyai sejumlah kelebihan salah satunya adalah bentuk rangkaiannya yang lebih sederhana sehingga bisa hemat kabel

monsieur toussaint misyé tousen new york public library - Nov 24 2021

web browse borrow and enjoy titles from the new york public library digital collection

monsieur toussaint misyé tousen bookmate - Oct 04 2022

web ce texte réédité en créole et en français se veut un hommage à Édouard glissant la première version de monsieur toussaint écrite en 1959 se présente comme une

amazon co uk customer reviews monsieur toussaint misyé - Apr 29 2022

web find helpful customer reviews and review ratings for monsieur toussaint misyé tousen french edition at amazon com read honest and unbiased product reviews from our

[monsieur toussaint misyé tousen brooklyn public library](#) - Dec 06 2022

web details ce texte réédité en créole et en français se veut un hommage à Édouard glissant la première version de monsieur toussaint écrite en 1959 se présente comme une

monsieur toussaint misyé tousen overdrive - Mar 09 2023

web sep 30 2014 ce texte réédité en créole et en français se veut un hommage à Édouard glissant la première version de monsieur toussaint écrite en 1959 se présente

[monsieur toussaint misyé tousen cleynet overdrive](#) - Jul 01 2022

web browse borrow and enjoy titles from the clevnet digital collection

monsieur toussaint misyé tousen french edition ebook - Aug 02 2022

web monsieur toussaint misyé tousen french edition ebook glissant Édouard mémoire d encrier Étienne rodolf amazon in kindle store

monsieur toussaint misyé tousen by Édouard glissant goodreads - Jul 13 2023

web first published may 1 1981 book details editions about the author Édouard glissant 87 books124 followers Édouard glissant was a french writer poet philosopher and literary

monsieur toussaint misyé tousen scribd - Feb 08 2023

web ce texte réédité en créole et en français se veut un hommage à Édouard glissant la première version de monsieur toussaint écrite en 1959 se présente comme une

monsieur toussaint misyé tousen edouard glissant cultura - May 11 2023

web monsieur toussaint misyé tousen par edouard glissant aux éditions mémoire d encrier ce texte réédité en créole et en français se veut un hommage à Édouard glissant la

monsieur toussaint misyé tousen french edition kindle edition - Jun 12 2023

web monsieur toussaint misyé tousen french edition ebook glissant Édouard mémoire d encrier Étienne rodolf amazon in kindle store

monsieur toussaint misye tousen french edition uniport edu - Nov 05 2022

web monsieur toussaint misye tousen french edition is available in our book collection an online access to it is set as public so you can get it instantly our book servers hosts in

monsieur toussaint misyé tousen french edition kindle edition - Aug 14 2023

web sep 30 2014 amazon com monsieur toussaint misyé tousen french edition ebook glissant Édouard mémoire d encrier Étienne rodolf books

traduction de monsieur en turc dictionnaire glosbe - Jan 27 2022

web comment traduire monsieur en turc beyefendi efendi efendim exemples de phrases je joue un petit air pour ces messieurs

monsieur toussaint misye tousen édition bilingue paperback - Jan 07 2023

web amazon in buy monsieur toussaint misye tousen édition bilingue book online at best prices in india on amazon in read monsieur toussaint misye tousen édition

monsieur toussaint misyé tousen édition bilingue hors - Dec 26 2021

web aug 8 2014 monsieur toussaint 1961 nouvelle édition gallimard 1998 ce texte réédité en créole et en français se veut

un hommage à Édouard glissant la première

monsieur toussaint misyé tousen livre ebook youscribe - Sep 03 2022

web lisez monsieur toussaint misyé tousen en ebook sur youscribe ce texte réédité en créole et en français se veut un hommage à Édouard glissant la première version de

monsieur toussaint misyé tousen edition bilingue - Apr 10 2023

web monsieur toussaint 1961 nouvelle édition gallimard 1998 ce texte réédité en créole et en français se veut un hommage à Édouard glissant la première version de monsieur

conference faan gov ng - Mar 29 2022

web conference faan gov ng

amazon com Édouard glissant books - Feb 25 2022

web monsieur toussaint misyé tousen french edition french edition by Édouard glissant mémoire d encrier et al may 25 2016 5 0 5 0 out of 5 stars 2

monsieur toussaint misyé tousen by Édouard glissant is - May 31 2022

web ce texte réédité en créole et en français se veut un hommage à Édouard glissant la première version de monsieur toussaint écrite en 1959 se présente comme une

mosby s comprehensive review of practical nursing for - Apr 10 2023

web prepare for success on the boards with mosby s comprehensive review of practical nursing for the nclex pn examination an outline format makes studying easier

mosby s comprehensive review of nursing for the nclex rn - Jan 27 2022

web feb 11 2023 mosby s comprehensive review of nursing for nclex rn examination by dolores f saxton patricia mary nugent phyllis k pelikan patricia m nugent 2006

mosby s comprehensive review of practical nursing for the - Mar 29 2022

web jan 1 1994 i have purchased books from another company and i have been very impressed with mosby more than any other publisher this is the book to buy if you

mosby s comprehensive review of practical nursing for nclex pn - May 31 2022

web mosby s comprehensive review of practical nursing for nclex pn by mary o eyles 2001 mosby edition in english 13th ed editor mary o eyles mosby s

mosby s comprehensive review of practical nursing for the - May 11 2023

web sep 26 2013 prepare for success on the boards with mosby s comprehensive review of practical nursing for the nclex pn examination offering more than 4 000 nclex

mosby s comprehensive review of nursing for - Nov 24 2021

web practical nursing examinations questions etc national council licensure examination for practical vocational nurses study guides nursing practical examination

mosby s comprehensive review of practical nursing open library - Sep 03 2022

web mosby s comprehensive review of practical nursing by mary rn yannes eyles july 1995 c v mosby edition paperback in english 11th bk dk edition

mosby s comprehensive review of practical nursing for the - Oct 24 2021

web mosby s comprehensive review of practical nursing for the nclex pn exam e book edition 17 mary o eyles oct 2013 elsevier health sciences 1 0 star 1 review

mosby s comprehensive review of practical nursing open library - Dec 06 2022

web summary thousands of students have relied on mosby s comprehensive review of practical nursing for the nclex pn examination as a review tool and study guide

mosby s comprehensive review of practical nursing for the - Nov 05 2022

web oct 1 2013 mosby s comprehensive review of practical nursing for the nclex pn exam e book author mary o eyles edition 17 revised publisher elsevier health

mosby s comprehensive review of practical nursing for the - Feb 25 2022

web description a classic resource that has helped nurses pass the nclex exam for over 60 years mosby s comprehensive review of nursing for the nclex rn examination

mosby s review of practical nursing c v mosby company free - Jul 01 2022

web practical nursing practical nursing national council licensure examination for practical vocational nurses nursing practical nursing practical publisher st louis

mosby s comprehensive review of nursing for nclex rn - Dec 26 2021

web mosby s comprehensive review of nursing for nclex rnr examination paperback 2 february 2012 by patricia m nugent rn aas bs ms edm edd

mosby s comprehensive review of practical nursing for the - Sep 22 2021

mosby s comprehensive review of practical nursing for the - Jul 13 2023

web oct 10 2013 mosby s comprehensive review of practical nursing for the nclex pn exam mosby s comprehensive review of practical nursing for

mosby s comprehensive review of practical nursing for nclex pn - Jan 07 2023

web mosby s comprehensive review of practical nursing for nclex pn by eyles 1998 mosby edition in english 12th ed
[mosby s comprehensive review of practical nursing](#) - Jun 12 2023

web oct 15 2010 prepare for success on the boards with mosby s comprehensive review of practical nursing for the nclex pn examination an outline format makes studying

mosby s comprehensive review of practical nursing for - Feb 08 2023

web mosby s comprehensive review of practical nursing for nclex pn author mary o eyles summary for more than 40 years this valuable tool has prepared students for the

mosby s comprehensive review of practical nursing for nclex pn - Apr 29 2022

web oct 12 2004 classifies all test questions by cognitive level phase of the nursing process client need and level of difficulty to identify students strengths and weaknesses

[mosby s comprehensive review of practical nursing open library](#) - Aug 02 2022

web mosby s review of practical nursing by c v mosby company publication date 1974 topics practical nursing medicine practical nursing nursing practical publisher

mosby s comprehensive review of practical nursin - Aug 14 2023

web prepare for success on the boards with mosby s comprehensive review of practical nursing for the nclex pn examination offering more than 4 000 nclex pn exam

mosby s comprehensive review of practical nursing for the - Mar 09 2023

web mosby s comprehensive review of practical nursing for the nclex pn exam e book edition 16 ebook written by mary o eyles read this book using google play

mosby s comprehensive review of practical nursing for the - Oct 04 2022

web mosby s comprehensive review of practical nursing by c v mosby company 1986 mosby edition in english 9th ed