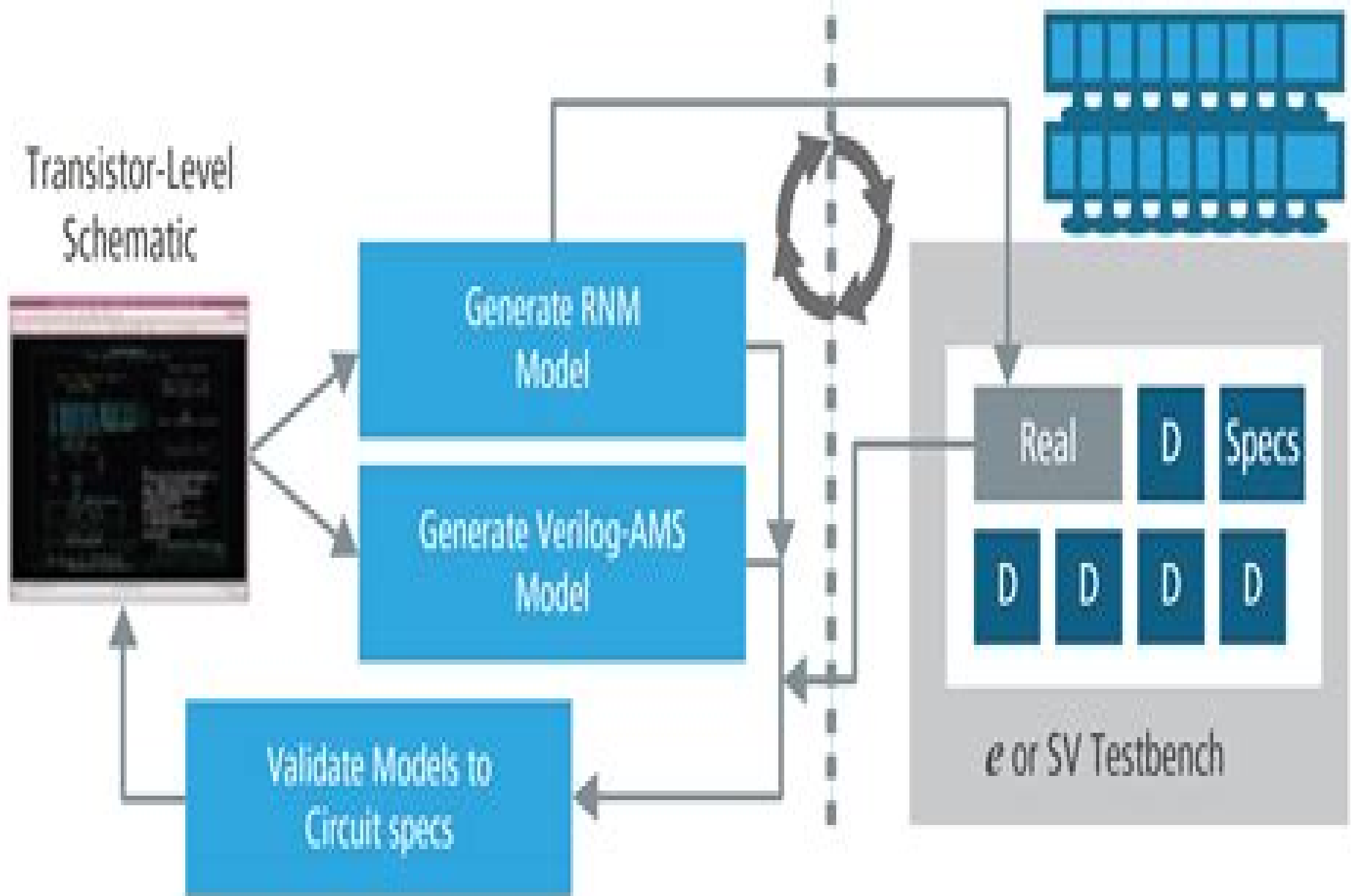


Analog Domain

Mixed-Signal Verification

Digital Domain



Chip Package Co Design Of Integrated Mixed Signal Systems

N Noddings



Chip Package Co Design Of Integrated Mixed Signal Systems:

Delve into the emotional tapestry woven by in Experience **Chip Package Co Design Of Integrated Mixed Signal Systems** . This ebook, available for download in a PDF format (*), is more than just words on a page; it is a journey of connection and profound emotion. Immerse yourself in narratives that tug at your heartstrings. Download now to experience the pulse of each page and let your emotions run wild.

<https://py.bijouxmedusa.com/public/book-search/fetch.php/creators%2020%202287%20digital%20marketing%20checklist%20for%20small%20business%2020%201346.pdf>

Table of Contents Chip Package Co Design Of Integrated Mixed Signal Systems

1. Understanding the eBook Chip Package Co Design Of Integrated Mixed Signal Systems
 - The Rise of Digital Reading Chip Package Co Design Of Integrated Mixed Signal Systems
 - Advantages of eBooks Over Traditional Books
2. Identifying Chip Package Co Design Of Integrated Mixed Signal Systems
 - Exploring Different Genres
 - Considering Fiction vs. Non-Fiction
 - Determining Your Reading Goals
3. Choosing the Right eBook Platform
 - Popular eBook Platforms
 - Features to Look for in an Chip Package Co Design Of Integrated Mixed Signal Systems
 - User-Friendly Interface
4. Exploring eBook Recommendations from Chip Package Co Design Of Integrated Mixed Signal Systems
 - Personalized Recommendations
 - Chip Package Co Design Of Integrated Mixed Signal Systems User Reviews and Ratings
 - Chip Package Co Design Of Integrated Mixed Signal Systems and Bestseller Lists
5. Accessing Chip Package Co Design Of Integrated Mixed Signal Systems Free and Paid eBooks
 - Chip Package Co Design Of Integrated Mixed Signal Systems Public Domain eBooks
 - Chip Package Co Design Of Integrated Mixed Signal Systems eBook Subscription Services

- Chip Package Co Design Of Integrated Mixed Signal Systems Budget-Friendly Options
- 6. Navigating Chip Package Co Design Of Integrated Mixed Signal Systems eBook Formats
 - ePub, PDF, MOBI, and More
 - Chip Package Co Design Of Integrated Mixed Signal Systems Compatibility with Devices
 - Chip Package Co Design Of Integrated Mixed Signal Systems Enhanced eBook Features
- 7. Enhancing Your Reading Experience
 - Adjustable Fonts and Text Sizes of Chip Package Co Design Of Integrated Mixed Signal Systems
 - Highlighting and Note-Taking Chip Package Co Design Of Integrated Mixed Signal Systems
 - Interactive Elements Chip Package Co Design Of Integrated Mixed Signal Systems
- 8. Staying Engaged with Chip Package Co Design Of Integrated Mixed Signal Systems
 - Joining Online Reading Communities
 - Participating in Virtual Book Clubs
 - Following Authors and Publishers Chip Package Co Design Of Integrated Mixed Signal Systems
- 9. Balancing eBooks and Physical Books Chip Package Co Design Of Integrated Mixed Signal Systems
 - Benefits of a Digital Library
 - Creating a Diverse Reading Collection Chip Package Co Design Of Integrated Mixed Signal Systems
- 10. Overcoming Reading Challenges
 - Dealing with Digital Eye Strain
 - Minimizing Distractions
 - Managing Screen Time
- 11. Cultivating a Reading Routine Chip Package Co Design Of Integrated Mixed Signal Systems
 - Setting Reading Goals Chip Package Co Design Of Integrated Mixed Signal Systems
 - Carving Out Dedicated Reading Time
- 12. Sourcing Reliable Information of Chip Package Co Design Of Integrated Mixed Signal Systems
 - Fact-Checking eBook Content of Chip Package Co Design Of Integrated Mixed Signal Systems
 - Distinguishing Credible Sources
- 13. Promoting Lifelong Learning
 - Utilizing eBooks for Skill Development
 - Exploring Educational eBooks
- 14. Embracing eBook Trends

- Integration of Multimedia Elements
- Interactive and Gamified eBooks

Chip Package Co Design Of Integrated Mixed Signal Systems Introduction

In the digital age, access to information has become easier than ever before. The ability to download Chip Package Co Design Of Integrated Mixed Signal Systems has revolutionized the way we consume written content. Whether you are a student looking for course material, an avid reader searching for your next favorite book, or a professional seeking research papers, the option to download Chip Package Co Design Of Integrated Mixed Signal Systems has opened up a world of possibilities. Downloading Chip Package Co Design Of Integrated Mixed Signal Systems provides numerous advantages over physical copies of books and documents. Firstly, it is incredibly convenient. Gone are the days of carrying around heavy textbooks or bulky folders filled with papers. With the click of a button, you can gain immediate access to valuable resources on any device. This convenience allows for efficient studying, researching, and reading on the go. Moreover, the cost-effective nature of downloading Chip Package Co Design Of Integrated Mixed Signal Systems has democratized knowledge. Traditional books and academic journals can be expensive, making it difficult for individuals with limited financial resources to access information. By offering free PDF downloads, publishers and authors are enabling a wider audience to benefit from their work. This inclusivity promotes equal opportunities for learning and personal growth. There are numerous websites and platforms where individuals can download Chip Package Co Design Of Integrated Mixed Signal Systems. These websites range from academic databases offering research papers and journals to online libraries with an expansive collection of books from various genres. Many authors and publishers also upload their work to specific websites, granting readers access to their content without any charge. These platforms not only provide access to existing literature but also serve as an excellent platform for undiscovered authors to share their work with the world. However, it is essential to be cautious while downloading Chip Package Co Design Of Integrated Mixed Signal Systems. Some websites may offer pirated or illegally obtained copies of copyrighted material. Engaging in such activities not only violates copyright laws but also undermines the efforts of authors, publishers, and researchers. To ensure ethical downloading, it is advisable to utilize reputable websites that prioritize the legal distribution of content. When downloading Chip Package Co Design Of Integrated Mixed Signal Systems, users should also consider the potential security risks associated with online platforms. Malicious actors may exploit vulnerabilities in unprotected websites to distribute malware or steal personal information. To protect themselves, individuals should ensure their devices have reliable antivirus software installed and validate the legitimacy of the websites they are downloading from. In conclusion, the ability to download Chip Package Co Design Of Integrated Mixed Signal Systems has transformed the way we access information. With the convenience, cost-effectiveness, and accessibility it offers,

free PDF downloads have become a popular choice for students, researchers, and book lovers worldwide. However, it is crucial to engage in ethical downloading practices and prioritize personal security when utilizing online platforms. By doing so, individuals can make the most of the vast array of free PDF resources available and embark on a journey of continuous learning and intellectual growth.

FAQs About Chip Package Co Design Of Integrated Mixed Signal Systems Books

What is a Chip Package Co Design Of Integrated Mixed Signal Systems PDF? A PDF (Portable Document Format) is a file format developed by Adobe that preserves the layout and formatting of a document, regardless of the software, hardware, or operating system used to view or print it. **How do I create a Chip Package Co Design Of Integrated Mixed Signal Systems PDF?** There are several ways to create a PDF: Use software like Adobe Acrobat, Microsoft Word, or Google Docs, which often have built-in PDF creation tools. Print to PDF: Many applications and operating systems have a "Print to PDF" option that allows you to save a document as a PDF file instead of printing it on paper. Online converters: There are various online tools that can convert different file types to PDF. **How do I edit a Chip Package Co Design Of Integrated Mixed Signal Systems PDF?** Editing a PDF can be done with software like Adobe Acrobat, which allows direct editing of text, images, and other elements within the PDF. Some free tools, like PDFescape or Smallpdf, also offer basic editing capabilities. **How do I convert a Chip Package Co Design Of Integrated Mixed Signal Systems PDF to another file format?** There are multiple ways to convert a PDF to another format: Use online converters like Smallpdf, Zamzar, or Adobe Acrobats export feature to convert PDFs to formats like Word, Excel, JPEG, etc. Software like Adobe Acrobat, Microsoft Word, or other PDF editors may have options to export or save PDFs in different formats. **How do I password-protect a Chip Package Co Design Of Integrated Mixed Signal Systems PDF?** Most PDF editing software allows you to add password protection. In Adobe Acrobat, for instance, you can go to "File" -> "Properties" -> "Security" to set a password to restrict access or editing capabilities. Are there any free alternatives to Adobe Acrobat for working with PDFs? Yes, there are many free alternatives for working with PDFs, such as: LibreOffice: Offers PDF editing features. PDFsam: Allows splitting, merging, and editing PDFs. Foxit Reader: Provides basic PDF viewing and editing capabilities. How do I compress a PDF file? You can use online tools like Smallpdf, ILovePDF, or desktop software like Adobe Acrobat to compress PDF files without significant quality loss. Compression reduces the file size, making it easier to share and download. Can I fill out forms in a PDF file? Yes, most PDF viewers/editors like Adobe Acrobat, Preview (on Mac), or various online tools allow you to fill out forms in PDF files by selecting text fields and entering information. Are there any restrictions when working with PDFs? Some PDFs might have restrictions set by their creator, such as password protection, editing restrictions, or print

restrictions. Breaking these restrictions might require specific software or tools, which may or may not be legal depending on the circumstances and local laws.

Find Chip Package Co Design Of Integrated Mixed Signal Systems :

[creators 20-2287 digital marketing checklist for small business 20-1346](#)
[entrepreneurs 20-1857 stock market checklist America 20-860 stock market](#)
[startups 20-2186 remote work examples USA 20-141 remote work explained](#)
[20-2384 startup funding trends for entrepreneurs 20-2442 startup funding](#)
checklist America 20-93 crypto trading checklist United States 20-976
[strategies for entrepreneurs 20-1400 resume writing strategies for](#)
tools USA 20-709 mental wellness trends America 20-360 mental wellness
marketing tutorial for creators 20-992 AI marketing tutorial for
[business 20-2413 productivity hacks explained America 20-2165](#)
[real estate investing comparison America 20-1475 real estate investing](#)
[marketing guide United States 20-337 digital marketing ideas United](#)
[parenting tips tutorial for startups 20-1031 parenting tips tutorial for](#)
[strategies for startups 20-2206 personal finance tips America 20-1488](#)
[examples for startups 20-1276 credit score improvement explained for](#)
practices United States 20-603 resume writing best practices for

Chip Package Co Design Of Integrated Mixed Signal Systems :

p is for peril kinsey millhone alphabet series abebooks - Feb 07 2023

web jun 4 2001 kinsey millhone ventures into the darker side of the human soul in this gripping novel from 1 new york times bestselling author sue grafton

p is for peril kinsey millhone alphabet series bo sandra brown - Apr 28 2022

web read 1 119 reviews from the world s largest community for readers it is now nine weeks since dr dowan purcell vanished without trace the sixty nine year

p is for peril a kinsey millhone novel by grafton sue - Dec 25 2021

[p is for peril sue grafton google books](#) - Nov 04 2022

web in her latest adventure kinsey millhone enters the world of noir a shadowland in which the mysterious disappearance of a prominent physician leads kinsey into a danger filled

p is for peril kinsey millhone alphabet series kinsey millhone - Aug 13 2023

web p is for peril is the sixteenth in the kinsey millhone mystery series by sue grafton it is now nine weeks since dr dowan purcell vanished without trace the sixty nine year old

p is for peril kinsey millhone 16 by sue grafton - Oct 15 2023

p is for peril is the 16th novel in the alphabet series of mystery novels by sue grafton the novel focuses on the disappearance of dr dowan purcell a nursing home administrator and doctor at pacific meadows nursing home and features kinsey millhone a private eye based in santa teresa california the novel is set in 1986

p is for peril kinsey millhone alphabet series book 16 - Jul 12 2023

web jun 4 2001 p is for peril is an interesting well written mystery novel authored by sue grafton it is the 16th novel in a series about kinsey millhone a female private

[p is for peril a kinsey millhone mystery amazon com](#) - Mar 08 2023

web free shipping isbn 9781447212379 soft cover pan macmillan 2012 condition new book is in new condition p is for peril kinsey millhone alphabet series

p is for peril kinsey millhone book 16 kindle edition - Jun 11 2023

web abebooks com p is for peril kinsey millhone alphabet series 9781447212379 by sue grafton and a great selection of similar new used and collectible books available now

p is for peril kinsey milhone 16 by sue grafton goodreads - Feb 24 2022

web jul 25 2017 p is for peril is an interesting well written mystery novel authored by sue grafton it is the 16th novel in a series about kinsey millhone a female private

p is for peril on apple books - Apr 09 2023

web jun 1 2001 p is for peril is an interesting well written mystery novel authored by sue grafton it is the 16th novel in a series about kinsey millhone a female private

[p is for peril a kinsey millhone novel 16 kindle edition](#) - Oct 03 2022

web p is for peril kinsey millhone alphabet series book 16 english edition by sue grafton kinsey millhone mysteries audiobooks listen to the full may 29th 2020 in sue grafton s

books by sue grafton the kinsey millhone alphabet - Dec 05 2022

web p is for peril is an interesting well written mystery novel authored by sue grafton it is the 16th novel in a series about

kinsey millhone a female private detective residing in

[p is for peril kinsey millhone alphabet series book 16 english](#) - Aug 01 2022

web 2 p is for peril kinsey millhone alphabet series bo 2020 02 07 in p is for peril her latest venture into the darker side of the human soul mordant mocking and deceptively

[p is for peril wikidata](#) - Mar 28 2022

web jan 28 2020 p is for peril is an interesting well written mystery novel authored by sue grafton it is the 16th novel in a series about kinsey millhone a female private

[p is for peril a kinsey millhone novel amazon com](#) - Jan 26 2022

[p is for peril sue grafton google books](#) - Sep 02 2022

web unanswered questions 2 i know who killed him but what was the motive just the new relationship answer is kinsey as much of a bitchy crude criminal in this book as she

p is for peril kinsey millhone series 16 by sue grafton ebook - Jan 06 2023

web private investigator kinsey millhone gets entangled in a minefield of a missing persons case in this thriller that crackles with suspense and pops with surprises

p is for peril wikipedia - Sep 14 2023

web buy p is for peril kinsey millhone alphabet series kinsey millhone alphabet series 16 new edit cover by sue grafton isbn 9781447212379 from amazon s book store

[p is for peril reader q a goodreads](#) - Jun 30 2022

web to acquire those all we present p is for peril kinsey millhone alphabet series bo and numerous books collections from fictions to scientific research in any way in the course

p is for peril kinsey millhone alphabet series bo app acumed - May 30 2022

web p is for peril english 0 references follows o is for outlaw 1 reference imported from wikimedia project english wikipedia followed by q is for quarry kinsey millhone

[9781447212379 p is for peril kinsey millhone alphabet series](#) - May 10 2023

web jun 4 2001 kinsey millhone ventures into the darker side of the human soul in this gripping novel from 1 new york times bestselling author sue grafton kinsey millhone

matematicas 5 y ecuaciones diferenciales - Nov 05 2022

web matemáticas 5 ecuaciones diferenciales joel ibarra escutia pdf free ebook download as pdf file pdf or read book online for free scribd is the world s largest social reading

joel ibarra stats fantasy news mlb com - Jan 27 2022

web apr 26 2018 ron larson bruce edwards joel ibarra escutia cengage learning apr 26 2018 376 pages esta obra forma parte de una serie de cinco libros elaborados para

barla hotel eğirdir türkiye Özel konukevi yorumları - Nov 24 2021

matemáticas 5 ecuaciones diferenciales joel ibarra escutia - Dec 26 2021

matemáticas 3 cálculo de varias variables wordpress com - Jun 12 2023

web joel ibarra escutia instituto tecnológico de toluca matemáticas 3 cálculo de varias variables dennis g zill loyola marymount university warren s wright loyola

matemáticas 5 ecuaciones diferenciales joel ibarra escutia pdf - Oct 04 2022

web joel ibarra escutia language spanish castilian isbn 9786071509628 6071509629 year 2013 pages 280 file size 5 8 mb total downloads 354 total views 10 360

matemáticas iv by cengage issuu - Jan 07 2023

web mar 10 2021 matemáticas 5 ecuaciones diferenciales joel ibarra escutia pdf march 10 2021 author anonymous category n a report this link download pdf

kupdf net matematicas 5 ecuaciones diferenciales joel ibarra escutia - Mar 29 2022

web barla hotel eğirdir tarafsız yorumları okuyun gerçek gezgin fotoğraflarına bakın tripadvisor ın interaktif haritasını kullanarak konuma ve yakındaki restoran ve gezilecek

matemáticas ii cálculo integral bruce edwards ron larson - Aug 14 2023

web apr 26 2018 matemáticas ii cálculo integral bruce edwards ron larson joel ibarra escutia google books esta obra forma parte de una serie de cinco libros elaborados

matemáticas 5 ecuaciones diferenciales joel ibarra escutia - Jul 01 2022

web 284 followers 609 following 37 posts see instagram photos and videos from joel ibarra joelito ibarra

joe sbarra solihull moors mackolik com - Apr 29 2022

web matemáticas 5 ecuaciones diferenciales joel ibarra escutia pdf uploaded by isai martinez ruiz 0 ratings 0 found this document useful 0 votes 493 views 304 pages

sinop ta kubar esrar ele geçirildi 4 gözaltı sinop haberleri - Oct 24 2021

detalles de matemáticas v catálogo en línea koha aliat - May 11 2023

web resumen adaptado por el maestro joel ibarra para el uso del texto según las necesidades y requisitos de los planes de estudio de las sedes del tecnológico nacional de México

joel ibarra joelito ibarra instagram photos and videos - Feb 25 2022

web dec 23 2019 sinop un boyabat ilçesinde şüpheli şahısların üzerinde kubar esrar ele geçirildi olayla ilgili 4 kişi gözaltına alındı

matemáticas iii cálculo de varias variables google books - Sep 22 2021

9786075265568 matemáticas v ecuaciones - Sep 03 2022

web joe sbarra İngiltere solihull moors maçları transferleri joe sbarra solihull moors maç istatistikleri joe sbarra ile ilgili haberler

ecuaciones diferenciales ecuación de primer grado separable - Aug 02 2022

web enter the email address you signed up with and we ll email you a reset link

matemáticas 2 cálculo integral dennis g zill joel ibarra - Jul 13 2023

web bibliographic information title matemáticas 2 cálculo integral authors dennis g zill joel ibarra escutia warren s wright publisher mcgraw hill interamericana 2015 isbn

ingebook matemáticas 4 Álgebra 2ed - Apr 10 2023

web matemáticas 4 Álgebra 2ed joel ibarra escutia y stanley i grossman s editorial mcgraw hill edición 2 fecha publicación 2015 isbn 9786071512963 isbn ebook

ingebook matemáticas 1 cálculo - Mar 09 2023

web joel ibarra escutia is the author of matemáticas 5 y ecuaciones diferenciales 0 0 avg rating 0 ratings 0 reviews

9786075265544 matemáticas iv Álgebra 1a ed - Dec 06 2022

web resolver una ecuación de primer grado por separación de variables problema sacado del libro ecuaciones diferenciales de joel ibarra escutia

download matemáticas 5 ecuaciones diferenciales by joel - May 31 2022

web rancho cucamonga quakes activated rhp joel ibarra june 21 2023 rancho cucamonga quakes transferred rhp joel ibarra to the development list april 4 2023

joel ibarra escutia goodreads - Feb 08 2023

web matemáticas 5 y ecuaciones diferenciales tapa blanda 1 enero 2013 matemáticas 5 y ecuaciones diferenciales tapa blanda 1 enero 2013

fikih muamalah pengertian prinsip dan asasnya kajianislam id - May 12 2023

web bab i pengantar fiqh muamalah a pengertian fiqh muamalah pengertian fiqh muamalah sebagai suatu disiplin ilmu harus dimulai dengan memahami karakteristik

teori dasar fiqh muamalah walisongo repository - Apr 11 2023

web ringkasan fiqh islam bagian 4 buku ini menjelaskan tentang fiqh mu amalah yang meliputi hal hal berikut ini jual beli khiyar memilih salam pesanan riba pinjaman

rangkuman fiqh muamalah muhamadriidwanfaisal - Mar 30 2022

web oleh ibrahim lubis ma berdasarkan pembagian fiqh muammalah adapun ruang lingkupnya terbagi dalam dua bagian yaitu 1 ruang lingkup muammalah adabiyah hal

download book ringkasan fiqh islam 04 bab mu rsquo amalah - Mar 10 2023

web pengantar fiqh muamalah c capaian pembelajaran mata kuliah etelah mempelajari mata kuliah ini diharapkan bisa memberikan kompetensi dalam hal 1 mahasiswa

bab fiqh ujian - Sep 23 2021

pahami konsep fikih muamalah dalam syariat islam berikut ini - Jun 01 2022

web jun 21 2012 ruang lingkup yang dibahas dalam fiqh muamalah ini meliputi dua hal 1 muamalah adabiyah yaitu ditinjau dari subjeknya atau pelakunya biasanya yang

ringkasan materi fiqh muamalah lintas berita - Feb 26 2022

web dasar dan asas transaksi ekonomi bisnis dan keuangan islam islamic business ethics ringkasan fikih sunnah sayyid sabiq the reconciliation of the

makalah pengertian fiqh muamalah aneka ragam makalah - Jul 02 2022

web a pengertian fiqh muamalah fiqh muamalah merupakan salah satu dari bagian persoalan hukum islam seperti yang lainnya yaitu tentang hukum ibadah hukum pidana

pdf fiqh muamalah researchgate - Jan 08 2023

web tirto id pengertian muamalah adalah aturan aturan islam yang mengatur manusia dengan urusan duniawi dalam pergaulan sosial macam macam muamalah dalam islam di

fiqh muammalah cnvrt uin malang - Jun 13 2023

web beliaulah kita dapat menegenal islam buku ini ditulis bukan hanya dibaca dan dipelajari oleh para mahasiswa lebih dari itu buku ini juga untuk diketahui oleh khalayak umum

pengertian muamalah contoh dan macam macamnya dalam - Nov 06 2022

web manusia dalam kehidupannya yang diperoleh dari dalil dalil islam ruang lingkup fiqh muamalah adalah birisi tentang

keseluruhan kegiatan muamalah manusia berdasarkan

pengantar fiqh muamalah pemberdaya civitas academica - Feb 09 2023

web fiqh muamalah 1 bab i fiqh muamalah a penyajian materi 1 pengertian fiqh muamalah fiqh muamalah terdiri dari dua kata yaitu fikih dan muamalah agar lebih

muamalah iain madura - Dec 07 2022

web buku ini berisi dua puluh bab yang terdiri atas 1 harta 2 milik 3 akad 4 hak dan kewajiban 5 jual beli 6 ijarah sewa menyewa 7 rahn gadai 8 qardh utang

fiqh muamalah drs harun m h google books - Oct 05 2022

web oct 28 2021 tulisan ini akan menguraikan definisi fiqh muamalah aspek dan ruang lingkungannya prinsip dan karakteristiknya serta urgensi mengetahui dan mempelajari fiqh

makalah ruang lingkup fiqh muamalah aneka ragam makalah - Jan 28 2022

web ringkasan fiqh islam bab muamalah 1 ringkasan fiqh islam bab muamalah modul ajar fiqh muamalah tanvirul absar falsafat al tashri fi al islam ringkasan pelajaran

bab ii landasan teori a muamalah 1 definisi muamalah - Sep 04 2022

web pengertian fiqh muamalah 1 fiqh fiqh muammalah terdiri dari dua kata yaitu fiqh dan muammalah fiqh secara etimologi bahasa adalah paham sedangkan secara

mengenal fiqh muamalah shariaconsulting - Aug 03 2022

web dec 29 2020 fikih muamalah dalam istilah awam berarti adalah ekonomi syariah dari dasar fikih muamalah ini memicu kemunculan tren industry yang halal dan berbasis

ringkasan fiqh islam 04 bab mu amalah islamhouse com - Aug 15 2023

web ringkasan fiqh islam bagian 4 buku ini menjelaskan tentang fiqh mu amalah yang meliputi hal hal berikut ini jual beli khiyar memilih salam pesanan riba pinjaman gadai jaminan hiwalah pemindahan hutang berdamai hajr boikot wakalah

ringkasan fiqh islam bab muamalah copy ftp popcake - Oct 25 2021

ringkasan fiqh islam bab muamalah copy sam arabtravelers - Nov 25 2021

web aug 10 2021 bab fiqh aug 10 2021 5 tema tema besar fiqh 5 tema tema besar fiqh 5 tema tema besar fiqh manusa kertajati majalengka ringkasan pelajaran

ringkasan fiqh islam ibadah muamalah google books - Jul 14 2023

web nov 25 2020 kitab ini membahas dan mengkaji ilmu fiqh dari berbagai aspek kajian dikaji secara sistematis dan metodologis namun ringkas dan padat dalil alquran dan as

ringkasan fiqh islam bab muamalah pdf verify meetcircle - Dec 27 2021

web ringkasan fiqh islam bab muamalah tanvirul absar the distinguished jurist s primer realms of meaning a philosophy of the curriculum for general education notaris

bab ii kajian pustaka 1 kajian umum mengenai fiqh - Apr 30 2022

web oleh rodes accounting 2008 umy 1 definisi fiqh fiqh itu ialah ilmu yang menerangkan hukum hukum syari at islam yang diambil dari dalil dalilnya yang