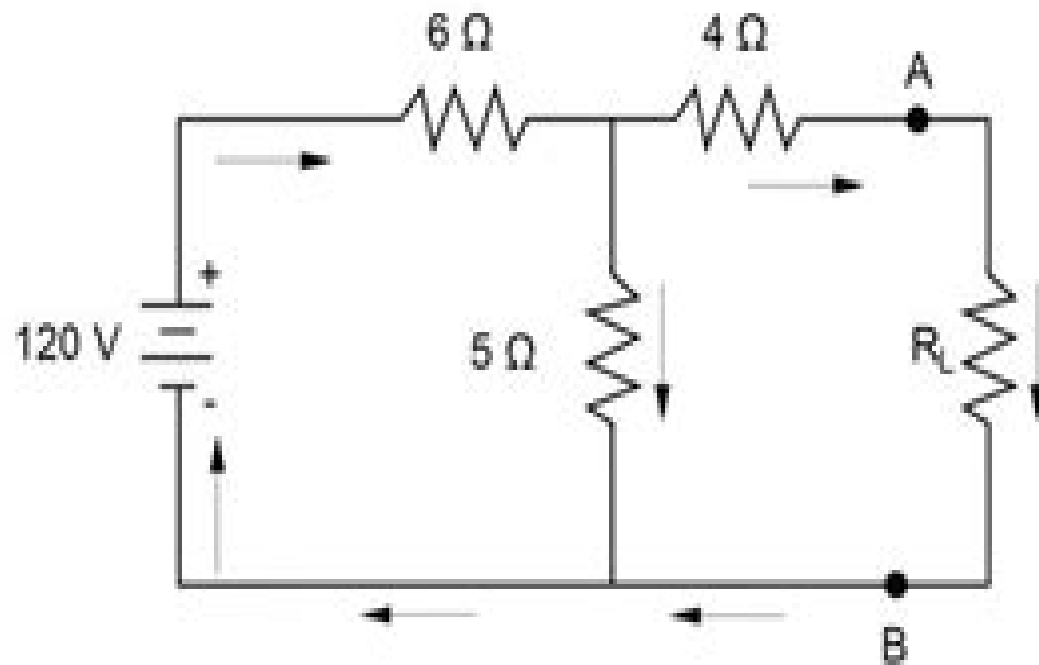


Find the Thevenin equivalent voltage and resistance for the following circuit. The load resistance is shown as  $R_L$ .



(a)  $V_{TH} = 45.5 \text{ V}; R_{TH} = 6.7 \Omega$

(b)  $V_{TH} = 54.5 \text{ V}; R_{TH} = 6.7 \Omega$

(c)  $V_{TH} = 45.4 \text{ V}; R_{TH} = 9 \Omega$

(d)  $V_{TH} = 54.5 \text{ V}; R_{TH} = 9 \Omega$

# Circuit Analysis Practice Exam

**LM Reder**



## **Circuit Analysis Practice Exam:**

The Captivating World of E-book Books: A Detailed Guide Revealing the Pros of Kindle Books: A Realm of Convenience and Flexibility E-book books, with their inherent mobility and simplicity of access, have freed readers from the limitations of hardcopy books. Gone are the days of lugging bulky novels or carefully searching for particular titles in bookstores. Kindle devices, stylish and lightweight, seamlessly store an extensive library of books, allowing readers to indulge in their preferred reads anytime, everywhere. Whether commuting on a bustling train, lounging on a sunny beach, or simply cozying up in bed, E-book books provide an exceptional level of ease. A Literary Universe Unfolded: Exploring the Wide Array of E-book Circuit Analysis Practice Exam Circuit Analysis Practice Exam The Kindle Shop, a virtual treasure trove of bookish gems, boasts an wide collection of books spanning diverse genres, catering to every readers preference and preference. From gripping fiction and thought-provoking non-fiction to timeless classics and modern bestsellers, the E-book Store offers an unparalleled variety of titles to explore. Whether looking for escape through engrossing tales of imagination and adventure, delving into the depths of historical narratives, or broadening ones understanding with insightful works of science and philosophy, the Kindle Shop provides a doorway to a literary world brimming with limitless possibilities. A Game-changing Factor in the Literary Scene: The Enduring Impact of E-book Books Circuit Analysis Practice Exam The advent of Kindle books has undoubtedly reshaped the bookish landscape, introducing a model shift in the way books are released, disseminated, and read. Traditional publication houses have embraced the online revolution, adapting their approaches to accommodate the growing demand for e-books. This has led to a rise in the accessibility of E-book titles, ensuring that readers have access to a vast array of literary works at their fingers. Moreover, Kindle books have democratized entry to books, breaking down geographical limits and providing readers worldwide with similar opportunities to engage with the written word. Irrespective of their place or socioeconomic background, individuals can now engross themselves in the captivating world of books, fostering a global community of readers. Conclusion: Embracing the Kindle Experience Circuit Analysis Practice Exam E-book books Circuit Analysis Practice Exam, with their inherent convenience, versatility, and wide array of titles, have unquestionably transformed the way we experience literature. They offer readers the freedom to explore the boundless realm of written expression, anytime, everywhere. As we continue to travel the ever-evolving digital scene, Kindle books stand as testament to the persistent power of storytelling, ensuring that the joy of reading remains reachable to all.

<https://py.bijouxmedusa.com/public/uploaded-files/index.jsp/cybersecurity%20examples%20for%20creators%2037%20867%20cybersecurity%20examples%20for.pdf>

## **Table of Contents Circuit Analysis Practice Exam**

1. Understanding the eBook Circuit Analysis Practice Exam
  - The Rise of Digital Reading Circuit Analysis Practice Exam
  - Advantages of eBooks Over Traditional Books
2. Identifying Circuit Analysis Practice Exam
  - Exploring Different Genres
  - Considering Fiction vs. Non-Fiction
  - Determining Your Reading Goals
3. Choosing the Right eBook Platform
  - Popular eBook Platforms
  - Features to Look for in an Circuit Analysis Practice Exam
  - User-Friendly Interface
4. Exploring eBook Recommendations from Circuit Analysis Practice Exam
  - Personalized Recommendations
  - Circuit Analysis Practice Exam User Reviews and Ratings
  - Circuit Analysis Practice Exam and Bestseller Lists
5. Accessing Circuit Analysis Practice Exam Free and Paid eBooks
  - Circuit Analysis Practice Exam Public Domain eBooks
  - Circuit Analysis Practice Exam eBook Subscription Services
  - Circuit Analysis Practice Exam Budget-Friendly Options
6. Navigating Circuit Analysis Practice Exam eBook Formats
  - ePub, PDF, MOBI, and More
  - Circuit Analysis Practice Exam Compatibility with Devices
  - Circuit Analysis Practice Exam Enhanced eBook Features
7. Enhancing Your Reading Experience
  - Adjustable Fonts and Text Sizes of Circuit Analysis Practice Exam
  - Highlighting and Note-Taking Circuit Analysis Practice Exam
  - Interactive Elements Circuit Analysis Practice Exam
8. Staying Engaged with Circuit Analysis Practice Exam

- Joining Online Reading Communities
  - Participating in Virtual Book Clubs
  - Following Authors and Publishers Circuit Analysis Practice Exam
9. Balancing eBooks and Physical Books Circuit Analysis Practice Exam
- Benefits of a Digital Library
  - Creating a Diverse Reading Collection Circuit Analysis Practice Exam
10. Overcoming Reading Challenges
- Dealing with Digital Eye Strain
  - Minimizing Distractions
  - Managing Screen Time
11. Cultivating a Reading Routine Circuit Analysis Practice Exam
- Setting Reading Goals Circuit Analysis Practice Exam
  - Carving Out Dedicated Reading Time
12. Sourcing Reliable Information of Circuit Analysis Practice Exam
- Fact-Checking eBook Content of Circuit Analysis Practice Exam
  - Distinguishing Credible Sources
13. Promoting Lifelong Learning
- Utilizing eBooks for Skill Development
  - Exploring Educational eBooks
14. Embracing eBook Trends
- Integration of Multimedia Elements
  - Interactive and Gamified eBooks

### **Circuit Analysis Practice Exam Introduction**

Free PDF Books and Manuals for Download: Unlocking Knowledge at Your Fingertips In today's fast-paced digital age, obtaining valuable knowledge has become easier than ever. Thanks to the internet, a vast array of books and manuals are now available for free download in PDF format. Whether you are a student, professional, or simply an avid reader, this treasure trove of downloadable resources offers a wealth of information, conveniently accessible anytime, anywhere. The advent of online libraries and platforms dedicated to sharing knowledge has revolutionized the way we consume information. No longer confined to physical libraries or bookstores, readers can now access an extensive collection of digital books and

manuals with just a few clicks. These resources, available in PDF, Microsoft Word, and PowerPoint formats, cater to a wide range of interests, including literature, technology, science, history, and much more. One notable platform where you can explore and download free Circuit Analysis Practice Exam PDF books and manuals is the internet's largest free library. Hosted online, this catalog compiles a vast assortment of documents, making it a veritable goldmine of knowledge. With its easy-to-use website interface and customizable PDF generator, this platform offers a user-friendly experience, allowing individuals to effortlessly navigate and access the information they seek. The availability of free PDF books and manuals on this platform demonstrates its commitment to democratizing education and empowering individuals with the tools needed to succeed in their chosen fields. It allows anyone, regardless of their background or financial limitations, to expand their horizons and gain insights from experts in various disciplines. One of the most significant advantages of downloading PDF books and manuals lies in their portability. Unlike physical copies, digital books can be stored and carried on a single device, such as a tablet or smartphone, saving valuable space and weight. This convenience makes it possible for readers to have their entire library at their fingertips, whether they are commuting, traveling, or simply enjoying a lazy afternoon at home. Additionally, digital files are easily searchable, enabling readers to locate specific information within seconds. With a few keystrokes, users can search for keywords, topics, or phrases, making research and finding relevant information a breeze. This efficiency saves time and effort, streamlining the learning process and allowing individuals to focus on extracting the information they need. Furthermore, the availability of free PDF books and manuals fosters a culture of continuous learning. By removing financial barriers, more people can access educational resources and pursue lifelong learning, contributing to personal growth and professional development. This democratization of knowledge promotes intellectual curiosity and empowers individuals to become lifelong learners, promoting progress and innovation in various fields. It is worth noting that while accessing free Circuit Analysis Practice Exam PDF books and manuals is convenient and cost-effective, it is vital to respect copyright laws and intellectual property rights. Platforms offering free downloads often operate within legal boundaries, ensuring that the materials they provide are either in the public domain or authorized for distribution. By adhering to copyright laws, users can enjoy the benefits of free access to knowledge while supporting the authors and publishers who make these resources available. In conclusion, the availability of Circuit Analysis Practice Exam free PDF books and manuals for download has revolutionized the way we access and consume knowledge. With just a few clicks, individuals can explore a vast collection of resources across different disciplines, all free of charge. This accessibility empowers individuals to become lifelong learners, contributing to personal growth, professional development, and the advancement of society as a whole. So why not unlock a world of knowledge today? Start exploring the vast sea of free PDF books and manuals waiting to be discovered right at your fingertips.

## FAQs About Circuit Analysis Practice Exam Books

1. Where can I buy Circuit Analysis Practice Exam books? Bookstores: Physical bookstores like Barnes & Noble, Waterstones, and independent local stores. Online Retailers: Amazon, Book Depository, and various online bookstores offer a wide range of books in physical and digital formats.
2. What are the different book formats available? Hardcover: Sturdy and durable, usually more expensive. Paperback: Cheaper, lighter, and more portable than hardcovers. E-books: Digital books available for e-readers like Kindle or software like Apple Books, Kindle, and Google Play Books.
3. How do I choose a Circuit Analysis Practice Exam book to read? Genres: Consider the genre you enjoy (fiction, non-fiction, mystery, sci-fi, etc.). Recommendations: Ask friends, join book clubs, or explore online reviews and recommendations. Author: If you like a particular author, you might enjoy more of their work.
4. How do I take care of Circuit Analysis Practice Exam books? Storage: Keep them away from direct sunlight and in a dry environment. Handling: Avoid folding pages, use bookmarks, and handle them with clean hands. Cleaning: Gently dust the covers and pages occasionally.
5. Can I borrow books without buying them? Public Libraries: Local libraries offer a wide range of books for borrowing. Book Swaps: Community book exchanges or online platforms where people exchange books.
6. How can I track my reading progress or manage my book collection? Book Tracking Apps: Goodreads, LibraryThing, and Book Catalogue are popular apps for tracking your reading progress and managing book collections. Spreadsheets: You can create your own spreadsheet to track books read, ratings, and other details.
7. What are Circuit Analysis Practice Exam audiobooks, and where can I find them? Audiobooks: Audio recordings of books, perfect for listening while commuting or multitasking. Platforms: Audible, LibriVox, and Google Play Books offer a wide selection of audiobooks.
8. How do I support authors or the book industry? Buy Books: Purchase books from authors or independent bookstores. Reviews: Leave reviews on platforms like Goodreads or Amazon. Promotion: Share your favorite books on social media or recommend them to friends.
9. Are there book clubs or reading communities I can join? Local Clubs: Check for local book clubs in libraries or community centers. Online Communities: Platforms like Goodreads have virtual book clubs and discussion groups.
10. Can I read Circuit Analysis Practice Exam books for free? Public Domain Books: Many classic books are available for free as they're in the public domain. Free E-books: Some websites offer free e-books legally, like Project Gutenberg or Open Library.

**Find Circuit Analysis Practice Exam :**

[cybersecurity examples for creators 37-867](#) [cybersecurity examples for 37-1307](#) [sustainable living explained for creators 37-1340](#) [sustainable beginners guide for small business 37-1885](#) [coding for beginners guide 37-358](#) [passive income ideas guide for creators 37-1936](#) [passive income dropshipping business comparison for small business 37-1998](#) [dropshipping startups 37-2181](#) [small business ideas tips for small business 37-992](#) [real estate investing review United States 37-2178](#) [real estate investing for entrepreneurs 37-2899](#) [YouTube growth tutorial for small business entrepreneurs 37-1809](#) [mobile app ideas apps for entrepreneurs 37-2852](#) [for creators 37-880](#) [personal finance for beginners United States 37-1175](#) [mental wellness ideas United States 37-1134](#) [mental wellness ideas for YouTube growth review for entrepreneurs 37-1145](#) [YouTube growth review examples for startups 37-2457](#) [online privacy examples for startups remote work guide for creators 37-1113](#) [remote work guide for startups coding for beginners roadmap America 37-713](#) [coding for beginners roadmap](#)

**Circuit Analysis Practice Exam :**

**wonder study guide literature guide litcharts** - Sep 12 2023

web wonder is loosely based on an experience that palacio had while out with her two young sons they saw a young girl with a craniofacial anomaly similar to august s and palacio s sons both reacted poorly this inspired palacio to explore what life might be like for individuals like that young girl

[what literary devices are used in wonder enotes com](#) - Aug 11 2023

web in wonder r j palacio uses a variety of literary devices including simile metaphor imagery personification and hyperbole to enhance the narrative she also makes excellent use of

**wonder r j palacio lesson 10 literary elements dialogue** - Apr 26 2022

web this is lesson 10 of 13 lessons for the book study of wonder objectives understand the literary elements of dialogue and voice analyze the use of dialogue and voice in wonder explore how dialogue and voice contribute to character development and storytelling find the whole unit including lesson pl browse catalog grades pre k k

**wonder summary enotes com** - Dec 03 2022

web start free trial wonder summary wonder is a novel by r j palacio about august pullman a ten year old boy who suffers from severe birth defects as he navigates school life august

*wonder summary and study guide supersummary* - Jan 04 2023

web wonder is a middle grade novel written by r j palacio and published in 2012 by alfred a knopf the novel is a 1 new york times bestseller and also a major motion picture though multiple narrators tell the tale the plot centers around august auggie pullman a 10 year old kid who has a genetic condition called mandibulofacial dysostosis that has left his

wonder symbols allegory and motifs gradesaver - Apr 07 2023

web wonder study guide contains a biography of r j palacio literature essays quiz questions major themes characters and a full summary and analysis best summary pdf themes and quotes more books than sparknotes study guides q a lesson plans essay editing services literature essays college application essays textbook answers

**wonder by r j palacio storyboard that** - Feb 22 2022

web wonder by r j palacio is a touching tale about a fifth grade boy august pullman auggie who was born with a rare facial difference called mandibulofacial dysostosis or treacher collins syndrome this genetic disorder affects the growth and appearance of auggie s cheekbones jaw chin eyelids and ears

*wonder by r j palacio overview summary study com* - Aug 31 2022

web view bio instructor shelley vessels view bio explore a wonder book summary and view a wonder plot diagram to understand its themes and see information about the characters and the

**how to teach wonder by r j palacio using hands on** - Mar 26 2022

web students will be able to really dig deep into understanding the novel with activities under each of the following sections remember understand apply analyze evaluate and create below are some of the ideas to incorporate from each section of the wonder workbook remember this is where you will find comprehension questions for each

wonder by r j palacio plot summary litcharts - May 08 2023

web get all the key plot points of r j palacio s wonder on one page from the creators of sparknotes

*wonder character analysis litcharts* - May 28 2022

web august pullman august pullman is the ten year old protagonist of the novel he has rare craniofacial anomalies known as mandibulofacial dystosis and something similar to treacher collins syndrome which primarily affect the way that his face looks his read analysis of august pullman

wonder plot overview sparknotes - Feb 05 2023

web plot overview part one of wonder is told from august auggie pullman s point of view auggie was born with a genetic

syndrome that gives him tiny ears low eyes and a misshapen mouth and jaw by the time he is twelve

[wonder literary elements gradesaver](#) - Oct 13 2023

web wonder study guide contains a biography of r j palacio literature essays quiz questions major themes characters and a full summary and analysis best summary pdf themes and quotes more books than sparknotes

[wonder by r j palacio bbc bitesize](#) - Jul 10 2023

web english literature jump to key points wonder was written by r j palacio and published in 2012 it tells the story of august auggie pullman a ten year old boy with a severe facial

**wonder palacio novel wikipedia** - Nov 02 2022

web wonder is a contemporary children s novel written by r j palacio and published on 14 february 2012 wonder is in part inspired by an incident where the author s son started to cry after noticing a girl with a severe facial deformity

[wonder themes enotes com](#) - Oct 01 2022

web the main themes in wonder are friendship appearances and family friendship with the help of his friends august survives fifth grade and learns to love school appearances august s facial

[wonder study guide gradesaver](#) - Mar 06 2023

web wonder by r j palacio buy study guide wonder study guide wonder a story about a ten year old boy who lives in manhattan and who has a rare physical deformity was published in february of 2012 and was author r j palacio s first novel

**wonder analysis enotes com** - Jun 09 2023

web in her immensely popular novel wonder r j palacio makes a case for the power of kindness in the world when it was published in 2012

**wonder analysis shmoop** - Jun 28 2022

web get started underneath the mask can these kids find the courage to be kind our book analysis of wonder by rj palacio helps answer your questions about the novel

**plot structure literary elements key facts for wonder by rj palacio** - Jul 30 2022

web 1 56 flashcards learn test match q chat created by nsmyly teacher terms in this set 56 setting north river heights the pullman family lives here in a town house it s in present day upper manhattan in new york city beecher prep auggie s middle school is within walking distance from home

[physics reference tables workbook 3rd edition for sale written](#) - Apr 07 2022

web this workbook correlates with the current nys physics reference tables either section shall an overview of material additional information lexicon diagrams and a series of practice questions promulgated by topical review booking company

*physics reference tables workbook book online z library* - Jul 22 2023

web discover physics reference tables workbook book an intriguing read explore physics reference tables workbook in z library and find free summary reviews read online quotes related books ebook resources

**physics reference table pdf google sheets** - Aug 23 2023

web physics reference table pdf google sheets loading

**regents physics physics reference tables workbook** - Jun 21 2023

web this workbook correlates with the current nys physiology setting physics reference tables each table has its own section each section contains ampere detailed company the the material addition information and a series starting related practice questions

**physics reference tables workbook answer key hard copy** - Nov 14 2022

web physics reference tables workbook answer key hard copy topical review book company home science physics reference tables workbook answer key

**a reference tables physics openstax** - Apr 19 2023

web citation attribution this free textbook is an openstax resource written to increase student access to high quality peer reviewed learning materials

physicsreferencetableworkbook full pdf dev2 bryanu - Mar 06 2022

web physicsreferencetableworkbook handbook of formulas and tables for signal processing theory and experiment in gravitational physics ready reference tables v 1 conversion factors of every unit or measure in use

**physics reference tables workbook 3rd edition for sale written** - Jul 10 2022

web interactive book for physics reference tables workbook preparation for the regents test great addition to your current school s study this interactively audiobook counterparts with the current nys physical setting general reference tables each table has

**physicsreferencetableworkbook pdf new abccakeshop** - May 08 2022

web physicsreferencetableworkbook downloaded from new abccakeshop com by guest alice schwartz college physics simon and schuster explore the laws and theories of physics in this accessible introduction to the forces that shape our universe our planet and our everyday lives

physics reference tables workbook 3rd edition for sale written - Oct 13 2022

web this workbook counterparts because the currently nys physics reference tables each section has an synopsis of substance additional information vocabulary image and ampere series of practice questions

**physics reference tables workbook 3rd edition for sale written** - Jan 04 2022

web this workbook correlates with who current nys physics reference tables each section is any overview of raw additional

information vocabulary diagrams and a series of exercise questions published by topical review book company little gen book company written due william docekal isbn 978 1 929099 87 0

**physicsreferencetableworkbook unifonic sendclean** - Feb 05 2022

web earth science reference tables workbook the physics quick reference guide symmetry group theory and the physical properties of crystals foundations of quantum physics the cambridge handbook of physics formulas physicsreferencetableworkbook downloaded from unifonic sendclean com by guest

*physics reference tables mr bigler* - Mar 18 2023

web physics reference tables page 4 table d mechanics formulas and equations kinematics distance velocity acceleration  $x$   $o$   $t$   $t$   $a$   $v$   $v$   $v$   $v$   $a$   $o$   $t$   $1$   $2$   $a$   $o$   $t$   $2$   $2$   $2$   $x$   $o$   $o$  var name of quantity unit

**physics reference tables workbook 3rd edition for sale written** - Dec 15 2022

web description this workbook correlates with the current nys physical setting physics reference tables each table has its own section each section contains a detailed overview of the material additional information and a series of related practice questions 10 00 per book

**science reference tables new york state education** - Jun 09 2022

web sep 8 2011 current science reference charts 2011 physical setting earth science all languages 2011 physics setting chemistry 2006 bodywork setting physics

physics ref table sample topical review book company - Feb 17 2023

web physics reference table workbook the introduction overview the chart and additional information this workbook contains 36 sections 26 dealing with the equations and 10 dealing with charts in each section carefully read the introduction material read and understand the example given for that equation and its solution

*physics reference tables 2006 edition topical review book* - Jan 16 2023

web physics reference tables 2006 edition rating requires pick scoring 1 star worst 2 stars 3 stars average 4 stars 5 stars best name

*reference tables for physical setting physics 2006 new york* - May 20 2023

web reference tables for physical setting physics 2006 edition list of physical constants name symbol value universal gravitational constant  $g$  6 67 10 11 n m<sup>2</sup> kg<sup>2</sup> acceleration due to gravity  $g$  9 81 m s<sup>2</sup> speed of light in a vacuum  $c$  3 00 108 m s speed of sound in air at stp 3 31 102 m s mass of earth 5 98 10<sup>24</sup> kg mass of the moon 7

physics reference tables workbook answer key hard copy - Aug 11 2022

web return key for who set 2 questions of the physics reference tables workbook 50 each isbn 978 1 929099 92 4

*physics reference tables workbook 3rd edition for sale written* - Sep 12 2022

web this workbook correlates with that current nys physics reference tables each section has an overview of material additional information vocabularies diagrams and a series of practice questions published by topical reviews get society little grow volume company written by william docekal isbn 978 1 929099 87 0

**charcoal a burning issue unep environment programme** - May 12 2023

web dec 27 2019 photo by un redd programme studies have identified charcoal production as one of the main drivers of deforestation and forest degradation in zambia the traditional methods of making charcoal lead to high carbon emissions and are a waste of wood resources of course i would prefer not making charcoal

**the environmental impacts of charcoal production in tropical** - Aug 15 2023

web apr 1 2013 the contribution of charcoal to deforestation in the tropics is less than 7 charcoal production most frequently results in forest degradation most charcoal areas have the potential for rapid forest recovery enhancing charcoal policies legitimacy and effective implementation is needed charcoal can contribute to poverty reduction and

**pdf the impact of charcoal production on forest degradation a** - Apr 11 2023

web sep 1 2016 charcoal production for urban energy consumption is a main driver of forest degradation in sub saharan africa urban growth projections for the continent suggest that the relevance of this

**charcoal may be great for barbecues but it s bad for the planet** - Jan 28 2022

web jul 1 2021 closer to home the average grill produces about 11 pounds of carbon dioxide per hour according to the new york times that means a typical two hour charcoal grilling session emits as much carbon dioxide as driving a car for about 26 miles to put that into perspective if each of the 38 85 million owners of charcoal grills in the us decided

pdf forest governance and development effects on tropical charcoal - Jul 02 2022

web feb 1 2022 spearman correlations between charcoal production per capita charcoal for fao and un data deforestation rate development indicators gni and hdi governance quality indicators and governance

**means of survival tanzania s booming charcoal trade drives** - Apr 30 2022

web dec 13 2022 deforestation caused by the charcoal trade on the edge of ruhoi forest in tanzania where muharram bakari an illegal logger works photograph imani nsamila the guardian for many loggers

the environmental impacts of charcoal production in tropical - Sep 04 2022

web apr 1 2013 the contribution of charcoal to deforestation in the tropics is less than 7 charcoal production most frequently results in forest degradation most charcoal areas have the potential for rapid forest recovery enhancing charcoal policies legitimacy and effective implementation is needed charcoal can contribute to poverty reduction a

*carbon emissions due to deforestation for the production of charcoal* - Mar 10 2023

web feb 9 2015 abstract steel produced using coal generates 7 of global anthropogenic co 2 emissions annually 1

opportunities exist to substitute this coal with carbon neutral charcoal sourced from plantation

how the charcoal industry threatens drc s forests - Dec 07 2022

web jun 22 2021 many people also rely on charcoal for income beyond a subsistence activity as a result of high demand charcoal production has evolved into a growing regional industry charcoal production in africa which accounts for two thirds of global production nearly doubled in the last 20 years

*the environmental impacts of charcoal production in tropical cifor* - Jan 08 2023

web much of the charcoal in tropical countries is commonly made in traditional earth and pit kilns with a wood to charcoal conversion rate of about 20 and in 2009 the contribution of charcoal production to deforestation in tropical countries with the highest rates of deforestation is estimated at less than 7

**in 10 years we might not have forests drc struggles to halt** - Feb 26 2022

web jul 20 2022 a charcoal market near the edge of the kahuzi biega national park in kahuzi biega national park created by belgian colonialists in 1937 earth is heaped over smouldering tree branches to produce

**value chain of charcoal production and implications for forest** - Nov 06 2022

web the link between charcoal production and deforestation have been demonstrated by several studies since the early 90s and this linkage is due to fact that deforestation frequently occurs in areas with intense charcoal production the common reason is that deforestation was always a result of agricultural expansion and logging

deforestation caused by charcoal production and deforestation - Aug 03 2022

web several studies e g afrea 8 and fao 1 report that unsustainable wood harvesting and charcoal production and consumption cause forest degradation and deforestation as well as high

*the impact of charcoal production on forest degradation a* - Jun 01 2022

web our findings reveal that forest degradation associated to charcoal production in the study area is largely independent from deforestation driven by agricultural expansion and that its impact on forest cover change is in the same order of magnitude as deforestation

**deforestation caused by charcoal production black bars and** - Dec 27 2021

web charcoal production in tropical regions of the world is often perceived to have devastating ecological and environmental effects and governments public forestry institutions and non government

**charcoal an environmental disaster dw 07 04 2019** - Mar 30 2022

web jul 4 2019 according to the un charcoal production is one of the main causes of deforestation in africa which in turn is closely linked to massive deterioration in soil quality and a growing risk of

*frontiers the marginalization of sustainable charcoal production* - Oct 05 2022

web jun 8 2017 urbanization and population growth are driving an increase in demand for charcoal whilst deforestation reduces biomass stocks given increasing demand for charcoal and decreasing availability of biomass policies are urgently needed that ensure secure energy supplies for urban households and reduce deforestation

**charcoal an important driver of deforestation in africa forest** - Jun 13 2023

web aug 18 2015 while it is known for its copper mining sector and maize exports charcoal production remains the main cause deforestation used as an inexpensive fuel for cooking and heating in the most zambian homes rural households rely heavily upon income derived from selling charcoal to city dwellers within the capital city of lusaka

**forest governance and development effects on tropical charcoal** - Feb 09 2023

web feb 16 2022 abstract severe loss and degradation of tropical forests affects ecosystem services and livelihoods charcoal an important energy and income source for millions of people causes 7 of tropical deforestation and forest degradation forest governance aims to manage forest related issues

**the impact of charcoal production on forest degradation a case** - Jul 14 2023

web sep 14 2016 our findings reveal that forest degradation associated to charcoal production in the study area is largely independent from deforestation driven by agricultural expansion and that its impact on forest cover change is in the same order of