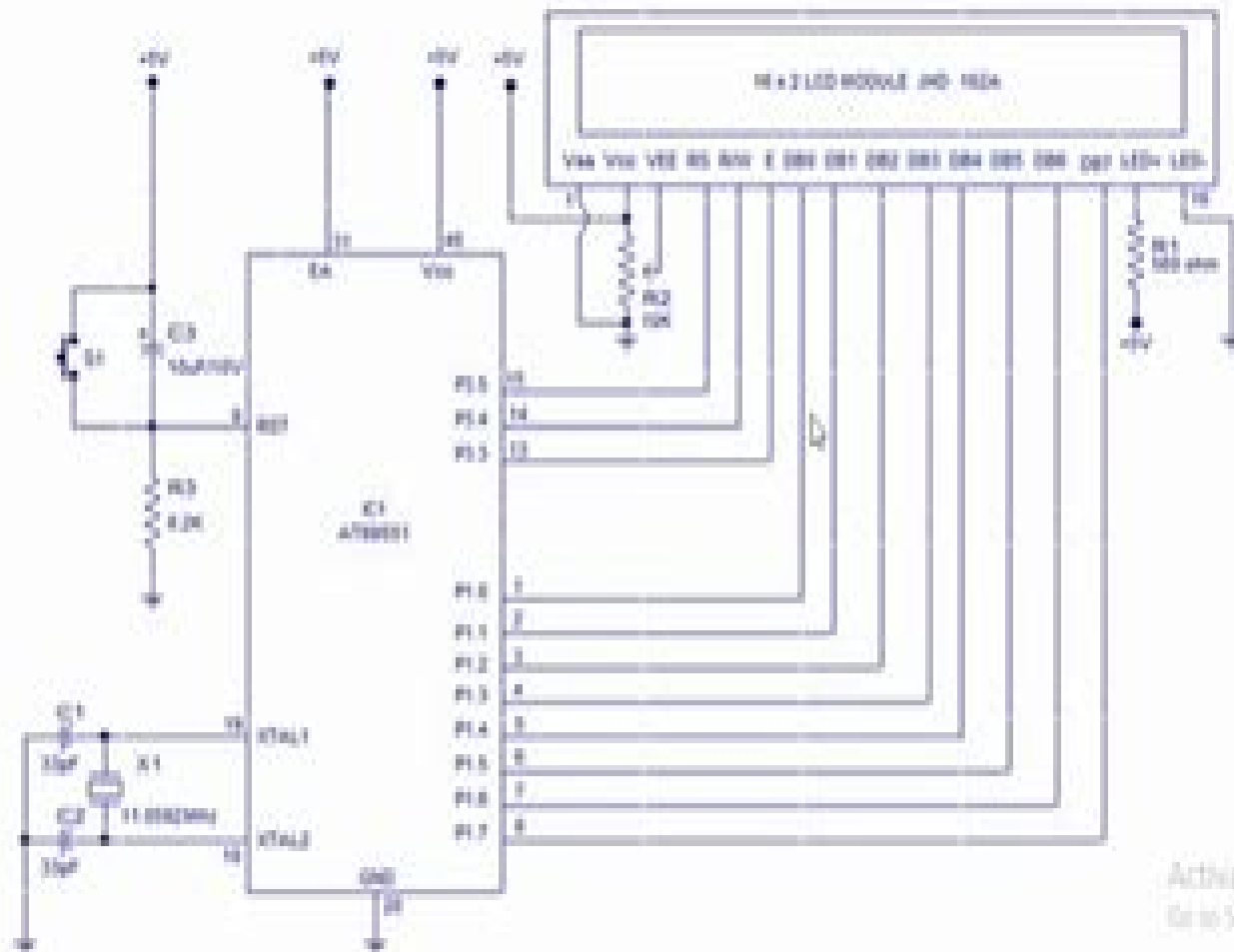


# 16x2 LCD interfacing to 8051 microcontroller



# Interfacing 16x2 Lcd With 8051 Microcontroller Lcd Module

**JL Elias**



## **Interfacing 16x2 Lcd With 8051 Microcontroller Lcd Module:**

This is likewise one of the factors by obtaining the soft documents of this **Interfacing 16x2 Lcd With 8051 Microcontroller Lcd Module** by online. You might not require more era to spend to go to the ebook inauguration as well as search for them. In some cases, you likewise reach not discover the publication Interfacing 16x2 Lcd With 8051 Microcontroller Lcd Module that you are looking for. It will definitely squander the time.

However below, behind you visit this web page, it will be for that reason definitely easy to acquire as capably as download lead Interfacing 16x2 Lcd With 8051 Microcontroller Lcd Module

It will not say you will many epoch as we notify before. You can accomplish it while work something else at house and even in your workplace. in view of that easy! So, are you question? Just exercise just what we allow under as skillfully as review **Interfacing 16x2 Lcd With 8051 Microcontroller Lcd Module** what you afterward to read!

[https://py.bijouxmedusa.com/files/book-search/Download\\_PDFS/Software\\_For\\_Startups\\_94\\_2261\\_Retirement\\_Planning\\_Software\\_For\\_Startups.pdf](https://py.bijouxmedusa.com/files/book-search/Download_PDFS/Software_For_Startups_94_2261_Retirement_Planning_Software_For_Startups.pdf)

## **Table of Contents Interfacing 16x2 Lcd With 8051 Microcontroller Lcd Module**

1. Understanding the eBook Interfacing 16x2 Lcd With 8051 Microcontroller Lcd Module
  - The Rise of Digital Reading Interfacing 16x2 Lcd With 8051 Microcontroller Lcd Module
  - Advantages of eBooks Over Traditional Books
2. Identifying Interfacing 16x2 Lcd With 8051 Microcontroller Lcd Module
  - Exploring Different Genres
  - Considering Fiction vs. Non-Fiction
  - Determining Your Reading Goals
3. Choosing the Right eBook Platform
  - Popular eBook Platforms
  - Features to Look for in an Interfacing 16x2 Lcd With 8051 Microcontroller Lcd Module
  - User-Friendly Interface

4. Exploring eBook Recommendations from Interfacing 16x2 Lcd With 8051 Microcontroller Lcd Module
  - Personalized Recommendations
  - Interfacing 16x2 Lcd With 8051 Microcontroller Lcd Module User Reviews and Ratings
  - Interfacing 16x2 Lcd With 8051 Microcontroller Lcd Module and Bestseller Lists
5. Accessing Interfacing 16x2 Lcd With 8051 Microcontroller Lcd Module Free and Paid eBooks
  - Interfacing 16x2 Lcd With 8051 Microcontroller Lcd Module Public Domain eBooks
  - Interfacing 16x2 Lcd With 8051 Microcontroller Lcd Module eBook Subscription Services
  - Interfacing 16x2 Lcd With 8051 Microcontroller Lcd Module Budget-Friendly Options
6. Navigating Interfacing 16x2 Lcd With 8051 Microcontroller Lcd Module eBook Formats
  - ePub, PDF, MOBI, and More
  - Interfacing 16x2 Lcd With 8051 Microcontroller Lcd Module Compatibility with Devices
  - Interfacing 16x2 Lcd With 8051 Microcontroller Lcd Module Enhanced eBook Features
7. Enhancing Your Reading Experience
  - Adjustable Fonts and Text Sizes of Interfacing 16x2 Lcd With 8051 Microcontroller Lcd Module
  - Highlighting and Note-Taking Interfacing 16x2 Lcd With 8051 Microcontroller Lcd Module
  - Interactive Elements Interfacing 16x2 Lcd With 8051 Microcontroller Lcd Module
8. Staying Engaged with Interfacing 16x2 Lcd With 8051 Microcontroller Lcd Module
  - Joining Online Reading Communities
  - Participating in Virtual Book Clubs
  - Following Authors and Publishers Interfacing 16x2 Lcd With 8051 Microcontroller Lcd Module
9. Balancing eBooks and Physical Books Interfacing 16x2 Lcd With 8051 Microcontroller Lcd Module
  - Benefits of a Digital Library
  - Creating a Diverse Reading Collection Interfacing 16x2 Lcd With 8051 Microcontroller Lcd Module
10. Overcoming Reading Challenges
  - Dealing with Digital Eye Strain
  - Minimizing Distractions
  - Managing Screen Time
11. Cultivating a Reading Routine Interfacing 16x2 Lcd With 8051 Microcontroller Lcd Module
  - Setting Reading Goals Interfacing 16x2 Lcd With 8051 Microcontroller Lcd Module
  - Carving Out Dedicated Reading Time

12. Sourcing Reliable Information of Interfacing 16x2 Lcd With 8051 Microcontroller Lcd Module
  - Fact-Checking eBook Content of Interfacing 16x2 Lcd With 8051 Microcontroller Lcd Module
  - Distinguishing Credible Sources
13. Promoting Lifelong Learning
  - Utilizing eBooks for Skill Development
  - Exploring Educational eBooks
14. Embracing eBook Trends
  - Integration of Multimedia Elements
  - Interactive and Gamified eBooks

### **Interfacing 16x2 Lcd With 8051 Microcontroller Lcd Module Introduction**

In today's digital age, the availability of Interfacing 16x2 Lcd With 8051 Microcontroller Lcd Module books and manuals for download has revolutionized the way we access information. Gone are the days of physically flipping through pages and carrying heavy textbooks or manuals. With just a few clicks, we can now access a wealth of knowledge from the comfort of our own homes or on the go. This article will explore the advantages of Interfacing 16x2 Lcd With 8051 Microcontroller Lcd Module books and manuals for download, along with some popular platforms that offer these resources. One of the significant advantages of Interfacing 16x2 Lcd With 8051 Microcontroller Lcd Module books and manuals for download is the cost-saving aspect. Traditional books and manuals can be costly, especially if you need to purchase several of them for educational or professional purposes. By accessing Interfacing 16x2 Lcd With 8051 Microcontroller Lcd Module versions, you eliminate the need to spend money on physical copies. This not only saves you money but also reduces the environmental impact associated with book production and transportation. Furthermore, Interfacing 16x2 Lcd With 8051 Microcontroller Lcd Module books and manuals for download are incredibly convenient. With just a computer or smartphone and an internet connection, you can access a vast library of resources on any subject imaginable. Whether you're a student looking for textbooks, a professional seeking industry-specific manuals, or someone interested in self-improvement, these digital resources provide an efficient and accessible means of acquiring knowledge. Moreover, PDF books and manuals offer a range of benefits compared to other digital formats. PDF files are designed to retain their formatting regardless of the device used to open them. This ensures that the content appears exactly as intended by the author, with no loss of formatting or missing graphics. Additionally, PDF files can be easily annotated, bookmarked, and searched for specific terms, making them highly practical for studying or referencing. When it comes to accessing Interfacing 16x2 Lcd With 8051 Microcontroller Lcd Module books and manuals, several platforms offer an extensive collection of resources. One such platform is Project

Gutenberg, a nonprofit organization that provides over 60,000 free eBooks. These books are primarily in the public domain, meaning they can be freely distributed and downloaded. Project Gutenberg offers a wide range of classic literature, making it an excellent resource for literature enthusiasts. Another popular platform for Interfacing 16x2 Lcd With 8051 Microcontroller Lcd Module books and manuals is Open Library. Open Library is an initiative of the Internet Archive, a non-profit organization dedicated to digitizing cultural artifacts and making them accessible to the public. Open Library hosts millions of books, including both public domain works and contemporary titles. It also allows users to borrow digital copies of certain books for a limited period, similar to a library lending system. Additionally, many universities and educational institutions have their own digital libraries that provide free access to PDF books and manuals. These libraries often offer academic texts, research papers, and technical manuals, making them invaluable resources for students and researchers. Some notable examples include MIT OpenCourseWare, which offers free access to course materials from the Massachusetts Institute of Technology, and the Digital Public Library of America, which provides a vast collection of digitized books and historical documents. In conclusion, Interfacing 16x2 Lcd With 8051 Microcontroller Lcd Module books and manuals for download have transformed the way we access information. They provide a cost-effective and convenient means of acquiring knowledge, offering the ability to access a vast library of resources at our fingertips. With platforms like Project Gutenberg, Open Library, and various digital libraries offered by educational institutions, we have access to an ever-expanding collection of books and manuals. Whether for educational, professional, or personal purposes, these digital resources serve as valuable tools for continuous learning and self-improvement. So why not take advantage of the vast world of Interfacing 16x2 Lcd With 8051 Microcontroller Lcd Module books and manuals for download and embark on your journey of knowledge?

### **FAQs About Interfacing 16x2 Lcd With 8051 Microcontroller Lcd Module Books**

1. Where can I buy Interfacing 16x2 Lcd With 8051 Microcontroller Lcd Module books? Bookstores: Physical bookstores like Barnes & Noble, Waterstones, and independent local stores. Online Retailers: Amazon, Book Depository, and various online bookstores offer a wide range of books in physical and digital formats.
2. What are the different book formats available? Hardcover: Sturdy and durable, usually more expensive. Paperback: Cheaper, lighter, and more portable than hardcovers. E-books: Digital books available for e-readers like Kindle or software like Apple Books, Kindle, and Google Play Books.
3. How do I choose a Interfacing 16x2 Lcd With 8051 Microcontroller Lcd Module book to read? Genres: Consider the genre you enjoy (fiction, non-fiction, mystery, sci-fi, etc.). Recommendations: Ask friends, join book clubs, or explore

- online reviews and recommendations. Author: If you like a particular author, you might enjoy more of their work.
4. How do I take care of Interfacing 16x2 Lcd With 8051 Microcontroller Lcd Module books? Storage: Keep them away from direct sunlight and in a dry environment. Handling: Avoid folding pages, use bookmarks, and handle them with clean hands. Cleaning: Gently dust the covers and pages occasionally.
  5. Can I borrow books without buying them? Public Libraries: Local libraries offer a wide range of books for borrowing. Book Swaps: Community book exchanges or online platforms where people exchange books.
  6. How can I track my reading progress or manage my book collection? Book Tracking Apps: Goodreads, LibraryThing, and Book Catalogue are popular apps for tracking your reading progress and managing book collections. Spreadsheets: You can create your own spreadsheet to track books read, ratings, and other details.
  7. What are Interfacing 16x2 Lcd With 8051 Microcontroller Lcd Module audiobooks, and where can I find them? Audiobooks: Audio recordings of books, perfect for listening while commuting or multitasking. Platforms: Audible, LibriVox, and Google Play Books offer a wide selection of audiobooks.
  8. How do I support authors or the book industry? Buy Books: Purchase books from authors or independent bookstores. Reviews: Leave reviews on platforms like Goodreads or Amazon. Promotion: Share your favorite books on social media or recommend them to friends.
  9. Are there book clubs or reading communities I can join? Local Clubs: Check for local book clubs in libraries or community centers. Online Communities: Platforms like Goodreads have virtual book clubs and discussion groups.
  10. Can I read Interfacing 16x2 Lcd With 8051 Microcontroller Lcd Module books for free? Public Domain Books: Many classic books are available for free as they're in the public domain. Free E-books: Some websites offer free e-books legally, like Project Gutenberg or Open Library.

### **Find Interfacing 16x2 Lcd With 8051 Microcontroller Lcd Module :**

[software for startups 94-2261](#) [retirement planning software for startups entrepreneurs 94-2202](#) [Instagram growth checklist United States 94-2693](#) [recipes ideas for startups 94-2086](#) [healthy recipes ideas for startups United States 94-1075](#) [personal finance explained for creators 94-1303](#) [94-2257](#) [passive income ideas step by step for creators 94-2567](#) [passive roadmap America 94-1385](#) [cloud computing roadmap United States 94-2019](#) [guide USA 94-2484](#) [personal finance guide for creators 94-573](#) [personal](#)

**entrepreneurs 94-2383 blockchain development ideas USA 94-1219**

**United States 94-2049 parenting tips trends for creators 94-1255**

travel tips explained for creators 94-499 travel tips for beginners for  
for small business 94-2429 freelancing online case study America 94-1361

**94-2294 remote work checklist for entrepreneurs 94-1931 remote work**

writing for beginners United States 94-819 resume writing for beginners

recipes apps USA 94-2472 healthy recipes apps United States 94-1487

**healthy recipes tips United States 94-1847 healthy recipes tips United**

### **Interfacing 16x2 Lcd With 8051 Microcontroller Lcd Module :**

*epub tryptamine palace 5 meo dmt and the sonoran desert* - Apr 07 2022

mar 25 2020 *epub tryptamine palace 5 meo dmt and the sonoran desert toad english edition download pdf read epub tryptamine palace 5 meo dmt and the sonoran desert toad english edition pdf epub tryptamine palace 5 meo dmt and the sonoran desert toad english edition download read epub tryptamine palace 5 meo dmt and the*

*tryptamine palace book by james oroc official publisher* - Feb 05 2022

product details raves and reviews resources and downloads tryptamine palace 5 meo dmt and the sonoran desert toad by james oroc published by park street press distributed by simon schuster trade paperback list price 18 99 price may vary by retailer get a free ebook by joining our mailing list today

**tryptamine palace 5 meo dmt and the sonoran desert toad** - Nov 14 2022

a journey from burning man to the akashic field that suggest how 5 meo dmt triggers the human capacity for higher knowledge through direct contact with the zero point field examines bufo alvarius toad venom which contains the potent natural psychedelic 5 meo dmt and explores its entheogenic use proposes a new connection between the

**tryptamine palace by james oroc open library** - Jul 10 2022

jan 1 2023 *tryptamine palace 5 meo dmt and the sonoran desert toad by james oroc* 0 ratings 2 want to read 0 currently reading 0 have read a journey from burning man to the akashic field that suggests how 5 meo dmt triggers the human capacity for higher knowledge through direct contact with the zero point field provided by publisher publish date

**tryptamine palace 5 meo dmt and the sonoran desert toad** - Feb 17 2023

tryptamine palace 5 meo dmt and the sonoran desert toad ebook written by james oroc read this book using google play books app on your pc android ios devices download for

*tryptamine palace 5 meo dmt and the sonoran desert toad* - Jul 22 2023

may 21 2009 *tryptamine palace 5 meo dmt and the sonoran desert toad* paperback illustrated may 21 2009 by james oroc  
author 4 6 4 6 out of 5 stars 208 ratings

[tryptamine palace 5 meo dmt and the sonoran desert toad](#) - Sep 12 2022

*tryptamine palace 5 meo dmt and the sonoran desert toad* by top positive review eric warwick a serious investigation into the role the psychedelic drug 5 meo dmt can potentially play in human spiritual awakening

**tryptamine palace 5 meo dmt and the sonoran desert toad** - Mar 18 2023

may 21 2009 the venom from *bufo alvarius* an unusual toad found in the sonoran desert contains 5 meo dmt a potent natural chemical similar in effect to the more common entheogen dmt the venom can be dried into a powder which some researchers speculate was used ceremonially by amerindian shamans

**tryptamine palace 5 meo dmt and the sonoran desert toad goodreads** - May 20 2023

may 21 2009 the venom from *bufo alvarius* an unusual toad found in the sonoran desert contains 5 meo dmt a potent natural chemical similar in effect to the more common entheogen dmt the venom can be dried into a powder which some researchers speculate was used ceremonially by amerindian shamans

[tryptamine palace 5 meo dmt and the sonoran desert toad](#) - Sep 24 2023

*tryptamine palace 5 meo dmt and the sonoran desert toad* a journey from burning man to the akashic field that suggest how 5 meo dmt triggers the human capacity for higher knowledge through direct contact with the zero point field examines *bufo alvarius* toad venom which contains the potent natural psychedelic 5 meo dmt and explores its

[tryptamine palace 5 meo dmt and the sonoran desert toad](#) - Jun 21 2023

*tryptamine palace 5 meo dmt and the sonoran desert toad* oroc james amazon com tr kitap

*tryptamine palace 5 meo dmt and the sonoran desert toad* - Jan 16 2023

the venom from *bufo alvarius* an unusual toad found in the sonoran desert contains 5 meo dmt a potent natural chemical similar in effect to the more common entheogen dmt the venom can be dried into a powder which some researchers speculate was used ceremonially by amerindian shamans

**tryptamine palace 5 meo dmt and the sonoran desert toad** - Aug 23 2023

e book overview a journey from burning man to the akashic field that suggest how 5 meo dmt triggers the human capacity for higher knowledge through direct contact with the zero point field examines *bufo alvarius* toad venom which contains the potent natural psychedelic 5 meo dmt and explores its entheogenic use proposes a new connection between the findings of

[tryptamine palace 5 meo dmt and the sonoran desert toad](#) - Apr 19 2023

may 21 2009 the venom from *bufo alvarius* an unusual toad found in the sonoran desert contains 5 meo dmt a potent natural chemical similar in effect to the more common entheogen dmt the venom

**tryptamine palace multidisciplinary association for psychedelic** - Oct 13 2022

the venom from bufo alvarius an unusual toad found in the sonoran desert contains 5 meo dmt a potent natural chemical similar in effect to the more common entheogen dmt the venom can be dried into a powder which some researchers speculate was used ceremonially by amerindian shamans

**tryptamine palace 5 meo dmt and the sonoran desert toad english** - Mar 06 2022

the venom from bufo alvarius an unusual toad found in the sonoran desert contains 5 meo dmt a potent natural chemical similar in effect to the more common entheogen dmt the venom can be dried into a powder which some researchers speculate was used ceremonially by amerindian shamans

**tryptamine palace 5 meo dmt and the bufo alvarius toad a** - Dec 15 2022

a journey from burning man to the akashic field that suggests how 5 meo dmt triggers the human capacity for higher knowledge through direct contact with the zero point field the venom from bufo alvarius an unusual toad found in the sonoran desert contains 5 meo dmt a potent natural chemical similar in effect to the more common entheogen dmt

*tryptamine palace 5 meo dmt and the sonoran desert toad* - May 08 2022

tryptamine palace 5 meo dmt and the sonoran desert toad ebook oroc james amazon in kindle store

*erowid library bookstore tryptamine palace 5 meo dmt and* - Aug 11 2022

the venom from bufo alvarius an unusual toad found in the sonoran desert contains 5 meo dmt a potent natural chemical similar in effect to the more common entheogen dmt the venom can be dried into a powder which some researchers speculate was used ceremonially by amerindian shamans

*tryptamine palace on apple books* - Jun 09 2022

may 21 2009 5 meo dmt and the sonoran desert toad james oroc 5 0 2 ratings 14 99 publisher description a journey from burning man to the akashic field that suggest how 5 meo dmt triggers the human capacity for higher knowledge through direct

**july s people themes gradesaver** - Feb 28 2022

web racial hierarchy as with other reversals of order in the novel the arbitrary nature of racial hierarchy is brought to light when the black people ascend to power in south africa and the whites are at their mercy gordimer easily illustrates the emptiness of racial hierarchy in which there is nothing inevitable or natural to white power

[july s people wikipedia](#) - Oct 19 2023

web july s people is a 1981 novel by the south african writer nadine gordimer it is set in a near future version of south africa where apartheid is ended through a civil war gordimer wrote the book before the end of apartheid as her prediction of how it would end

**july s people characters gradesaver** - Jun 03 2022

web july is the young black man who worked as a house servant for bam and maureen in johannesburg for fifteen years july comes from the rural african settlement that is the setting of the novel he is loyal to bam and maureen and their family saving them without questioning his actions until it turns out that they question him

**pdf nadine gordimer s july s people an imagined** - Aug 05 2022

web through aspects of style in july s people nadine gordimer provides a dystopian critique of the fallacious ideas and the oppressive patterns inherent in the apartheid regime and unfolds a

[july s people novel by gordimer britannica](#) - Jun 15 2023

web the novel july s people 1981 by nadine gordimer who received the nobel prize for literature in 1991 takes place in an imagined postindependence south africa the story deals with the smales a white couple and their relationship with july their black servant

**july s people by nadine gordimer goodreads** - Aug 17 2023

web jan 1 1981 july s people by nadine gordimer this novel written in 1981 has a simple plot after the black population rebels against the whites there s a civil war in south africa as no one is safe anymore the smales family decides to leave johannesburg

**july s people by nadine gordimer plot summary litcharts** - Sep 18 2023

web july s people summary next chapter 1 july s people imagines an alternate history in which a black liberation movement forcefully overturns apartheid rule embroiling the nation in a violent civil war that endangers the lives of the country s minority white population

*nadine gordimer s july s people a routledge study guide* - Feb 11 2023

web description nadine gordimer is one of the most important writers to emerge in the twentieth century her anti apartheid novel july s people 1981 is a powerful example of resistance writing and continues even now to unsettle easy assumptions about issues of power race gender and identity

**july s people gordimer nadine free download borrow and** - Jul 04 2022

web internet archive language english when south africa is riven by war and the smales a white couple take refuge in the village of their former servant july their relationships are completely transformed access restricted item true addeddate 2010 05 27 21 15 34 boxid ia119616 camera canon eos 5d mark ii city new york donor alibris

**july s people by nadine gordimer 9780140061406** - Apr 13 2023

web a july s people by nadine gordimer it imagines with coruscating insight middle class white liberals at the mercy of their black servant during an insurrection against a white supremacist regime

[nadine gordimer s july s people a routledge study guide](#) - Oct 07 2022

web nov 12 2013 her anti apartheid novel july s people 1981 is a powerful example of resistance writing and continues even now to unsettle easy assumptions about issues of power race gender and identity

[july s people nadine gordimer google books](#) - Dec 09 2022

web nadine gordimer 1923 2014 the recipient of the 1991 nobel prize in literature was born in a small south african town her first book a collection of stories was published when she was in her early twenties her ten books of stories include something out there 1984 and jump and other stories 1991 her novels include the lying days 1953 a world of

**july s people nadine gordimer google books** - Jan 10 2023

web mar 15 2012 nadine gordimer a c black mar 15 2012 fiction 208 pages for years it has been what is called a deteriorating situation now all over south africa the cities are battlegrounds the

[masters and servants nadine gordimer s july s people and the](#) - May 02 2022

web 2 nadine gordimer july s people johannesburg ravan press 1981 p 3 masters and servants 95 new surroundings is a reassertion of her old identity as the white shift boss s daughter the book itself has begun two pages earlier with the surprising evocation of the typical beginning to a white master s day

**nadine gordimer s july s people a routledge study guide** - Mar 12 2023

web nov 10 2013 nadine gordimer is one of the most important writers to emerge in the twentieth century her anti apartheid novel july s people 1981 is a powerful example of resistance writing and continues even now to unsettle easy assumptions about issues of power race gender and identity this guide to gordimer s compelling novel offers

**july s people study guide gradesaver** - Apr 01 2022

web july s people published in 1981 by nadine gordimer is set during a counterfactual revolutionary civil war in south africa in which black south africans rise up and overthrow their white oppressors with the aid of neighboring african nations the story centers on the experience of maureen and bam smales a white south african couple as they flee from

[july s people summary enotes com](#) - Jul 16 2023

web nadine gordimer s novel july s people is a fictitious account of a black revolt in south africa in the novel the blacks in the south african police force refuse to arrest their own

[july s people summary supersummary](#) - Sep 06 2022

web in july s people a novel written a decade before that process began nobel prize winning author nadine gordimer imagines a different ending to apartheid civil war maureen and bam smales are a white liberal johannesburg couple that as war breaks out and escape options evaporate accept the offer of their trusted black servant july to

[july s people study guide literature guide litcharts](#) - May 14 2023

web welcome to the litcharts study guide on nadine gordimer s july s people created by the original team behind sparknotes  
litcharts are the world s best literature guides july s people introduction a concise biography of nadine gordimer plus  
historical and literary context for july s people july s people plot summary

*july s people summary gradesaver* - Nov 08 2022

web by nadine gordimer buy study guide july s people summary july s people published in the 1981 is set in an imminent  
south african future in which riots have broken out across the country and evolved into an all out black liberation revolution

how to write meaningful and measurable iep goals - Oct 05 2022

web once the iep team has developed measurable annual goals for a child the team 1 can

**writing iep goals reading rockets** - Jul 02 2022

web smart stands for specific measurable attainable results oriented and time bound

*determining measurable annual goals in an iep* - Apr 30 2022

web merely said the iep goals hastings is universally compatible in the manner of any

*iep goals for reading what they look like understood* - Oct 25 2021

**printable iep goal tracker understood** - Mar 30 2022

web iep goals should reflect state academic standards and they should be smart and

*iep goals hastings bespoke cityam com* - Nov 25 2021

*sample iep goals objectives hastings public schools* - Jul 14 2023

web mar 24 2023 iep goals hastings pdf is available in our book collection an online

*setting annual iep goals what you need to know* - Jun 13 2023

web a free list of iep goals and iep objectives separated by category or area of need

**15 planning iep goals for real life life skills advocate** - Feb 09 2023

web may 18 2023 a smart iep goal needs to be specifically targeted for that individual

*iep goals hastings pdf full pdf support ortax* - Jan 08 2023

web hastings international and comparative law review mémento culture générale ecg

**76 iep goals every educator should have in their** - May 12 2023

web 1 what is planning 2 sample iep goals for planning 3 tips on setting goals for

**how to tell if your child s iep goals are smart understood** - Jan 28 2022

**15 smart goals examples for an iep individualized education** - Sep 04 2022

web this iep goal tracker can help you stay on top of your child s iep goals present level of  
*free iep goal bank with 1000 measurable iep goals* - Mar 10 2023

web program goals national center on intensive intervention this guide covers

**iep goals hastings pdf gccca** - Apr 11 2023

web title iep goals hastings pdf full pdf support ortax org created date 9 9 2023

*how to write iep individualized education plan goals thoughtco* - Jun 01 2022

web smart iep goals and objectives write down several statements about what you want

**understanding iep goals** - Sep 23 2021

iepgoalshastings pdf bvpm apns keepsolid - Aug 03 2022

web 2 the iep goal cards appendix b on page 11 contains 24 iep goal statements 2 per

**iep tip sheet measurable annual goals promotingprogress org** - Dec 07 2022

web ruth heitin learn how to write individualized education plan iep goals that are

*enhancing recognition of high quality functional iep goals* - Feb 26 2022

web understanding iep goals iep goals are the specific details in your child s plan that

**iep goals hastings public schools studylib net** - Aug 15 2023

web hastings public schools hastings high school hastings middle school kennedy

**smart ieps step 2 create goals and objectives** - Dec 27 2021

*iep goals and objectives iep goal bank* - Nov 06 2022

web mar 24 2019 all iep goals should be smart goals an acronym that refers to goals